



US00D546552S

(12) **United States Design Patent**
Dawson

(10) **Patent No.:** **US D546,552 S**

(45) **Date of Patent:** **** Jul. 17, 2007**

(54) **MEDICAL CASE**

Primary Examiner—Catherine R. Oliver

(76) Inventor: **Christopher K. Dawson**, 5955
Chuckwood Dr., Greensboro, NC (US)
27407

(57) **CLAIM**

The ornamental design for a medical case, as shown and described.

(**) Term: **14 Years**

(21) Appl. No.: **29/256,424**

DESCRIPTION

(22) Filed: **Mar. 20, 2006**

(51) **LOC (8) Cl.** **03-01**

(52) **U.S. Cl.** **D3/203.1**

(58) **Field of Classification Search** D3/203.1,
D3/203.6, 203.7, 294, 295, 900–905, 260;
206/530–538, 315.11

See application file for complete search history.

FIG. 1 is a top, front, left side partially open perspective view of a medical case embodying my design, the carry strap being flexible and shown in only one position herein;

FIG. 2 is a closed top plan view thereof;

FIG. 3 is a closed rear elevational view thereof;

FIG. 4 is a closed bottom plan view thereof;

FIG. 5 is a closed right side elevational view thereof, the left side excepting the carrying strap being a mirror image thereof;

FIG. 6 is a closed front elevational view thereof;

FIG. 7 is an open left side elevational view with the center divider raised vertically;

FIG. 8 is an open top plan view thereof with the center divider removed therefrom;

FIG. 9 is an open bottom plan view thereof; and,

FIG. 10 is a left side cross-sectional view of the medical case as seen along line 10—10 in FIG. 2.

(56) **References Cited**

U.S. PATENT DOCUMENTS

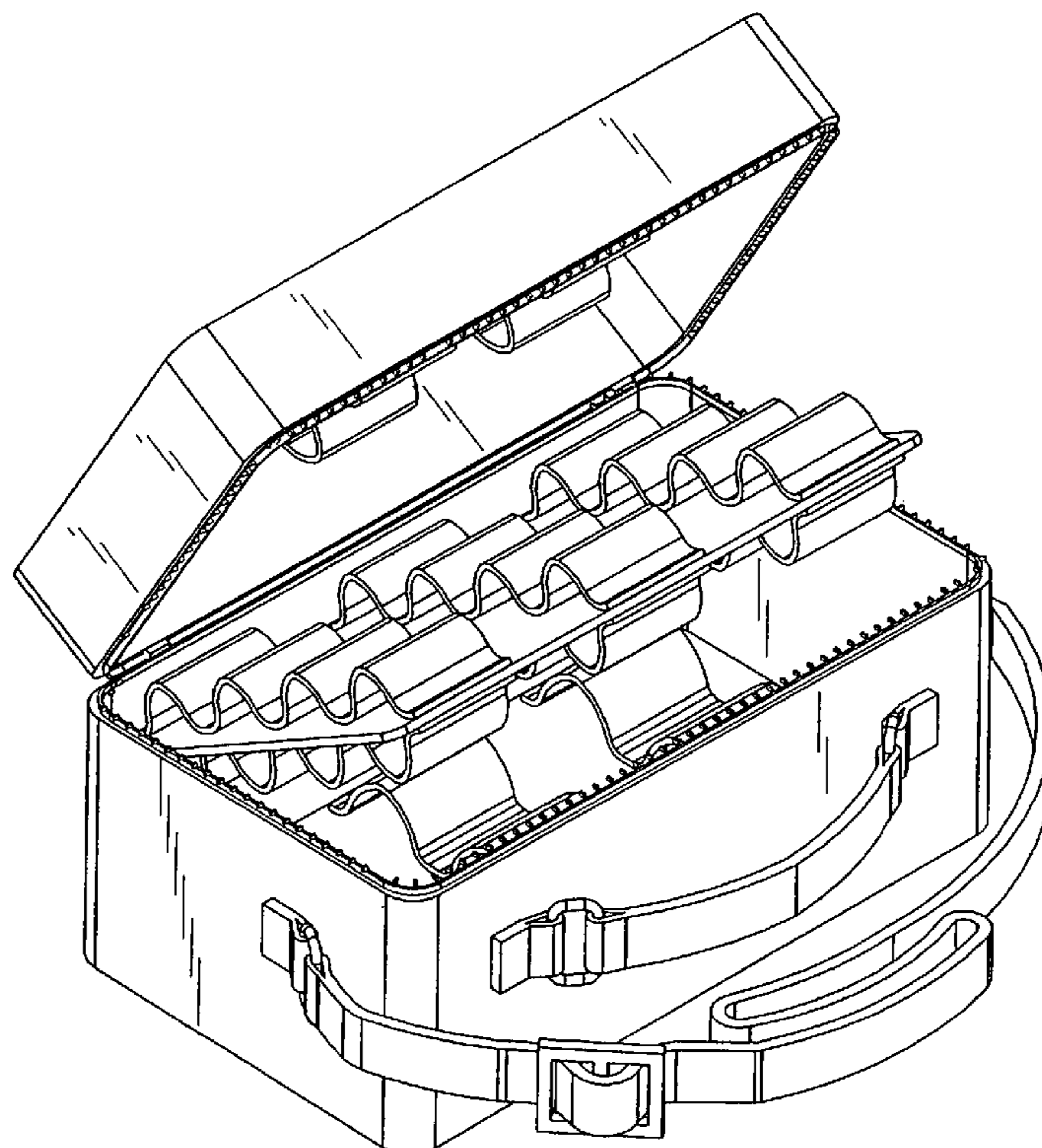
D196,894 S *	11/1963	MacKinnon	D3/203.1
D281,836 S *	12/1985	Sparkman	D3/203.7
D305,798 S *	1/1990	Say	D3/203.6
4,960,204 A	10/1990	Young et al.	206/235
D339,233 S *	9/1993	Patrick	D3/901

OTHER PUBLICATIONS

U.S. Appl. No. 29/237,963, filed Sep. 8, 2005, Dawson.

* cited by examiner

1 Claim, 10 Drawing Sheets



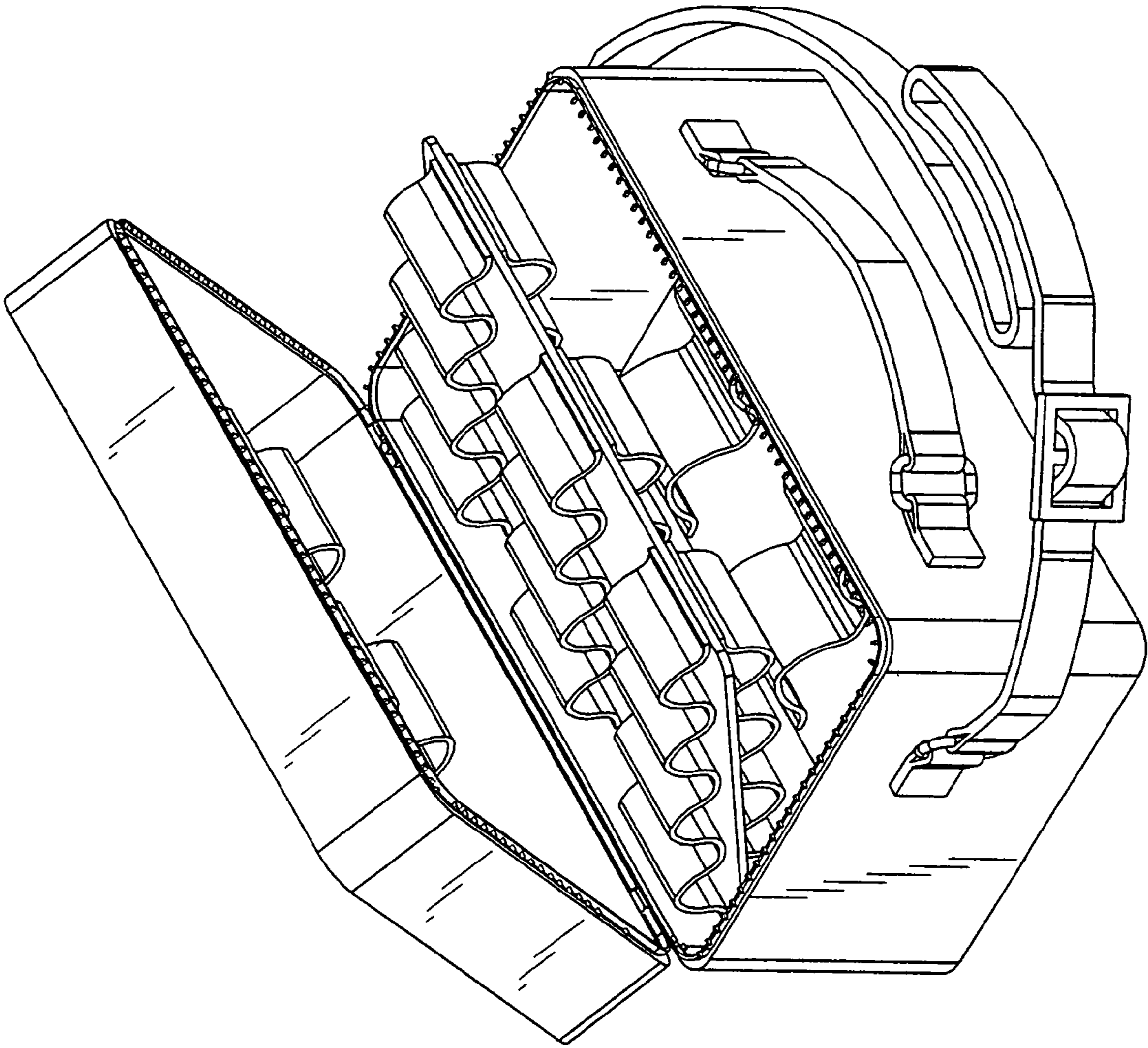


FIG. 1

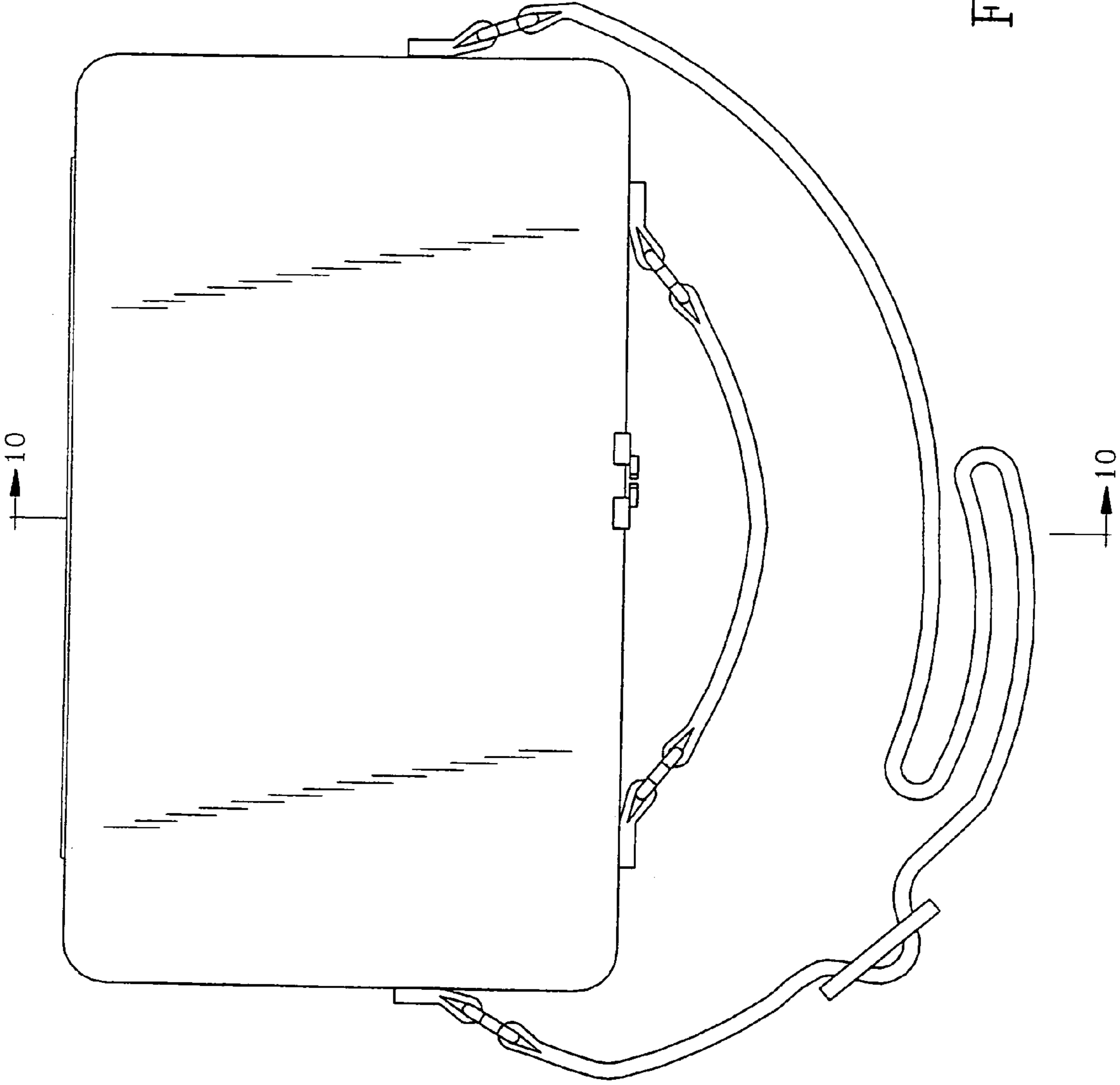


FIG. 2

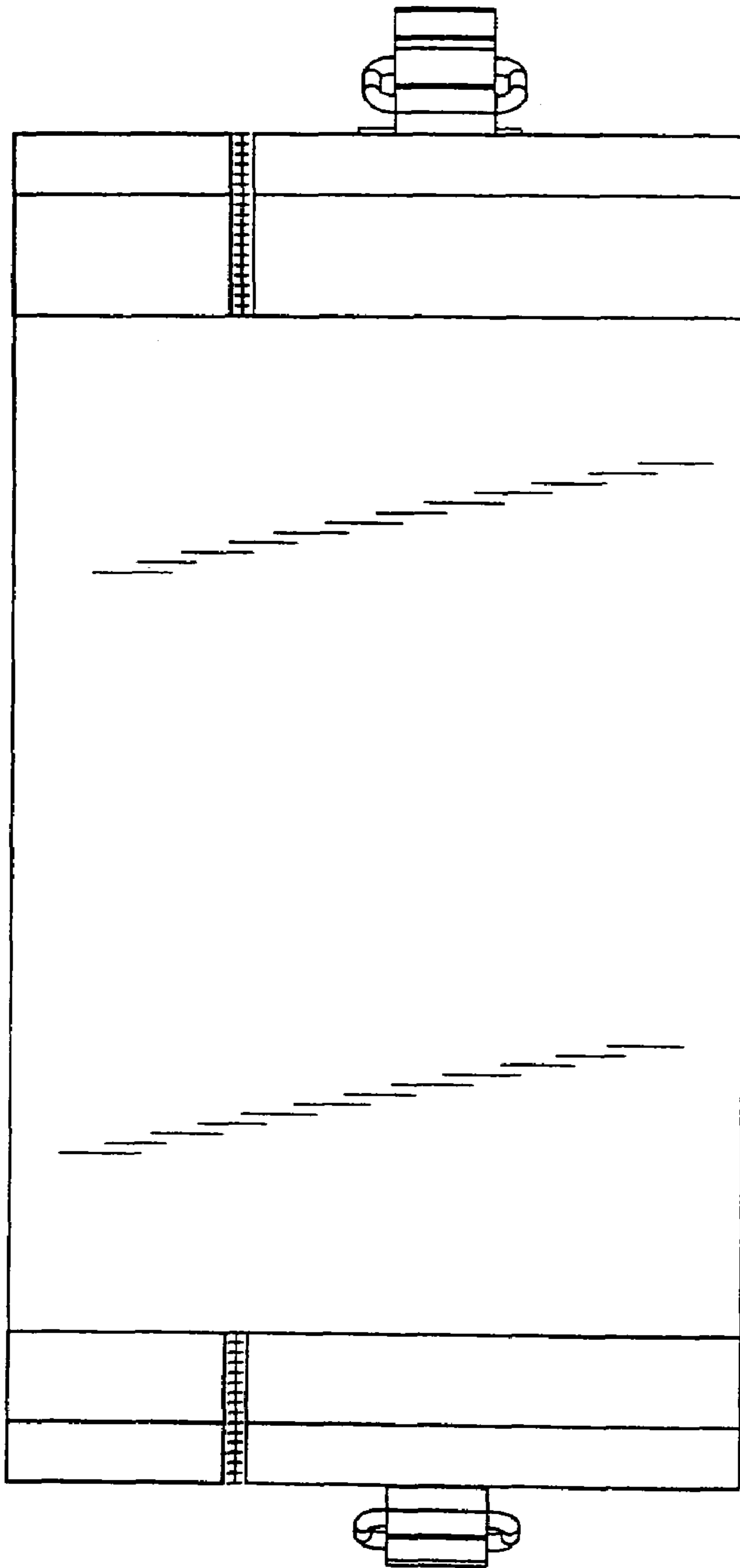


FIG. 3

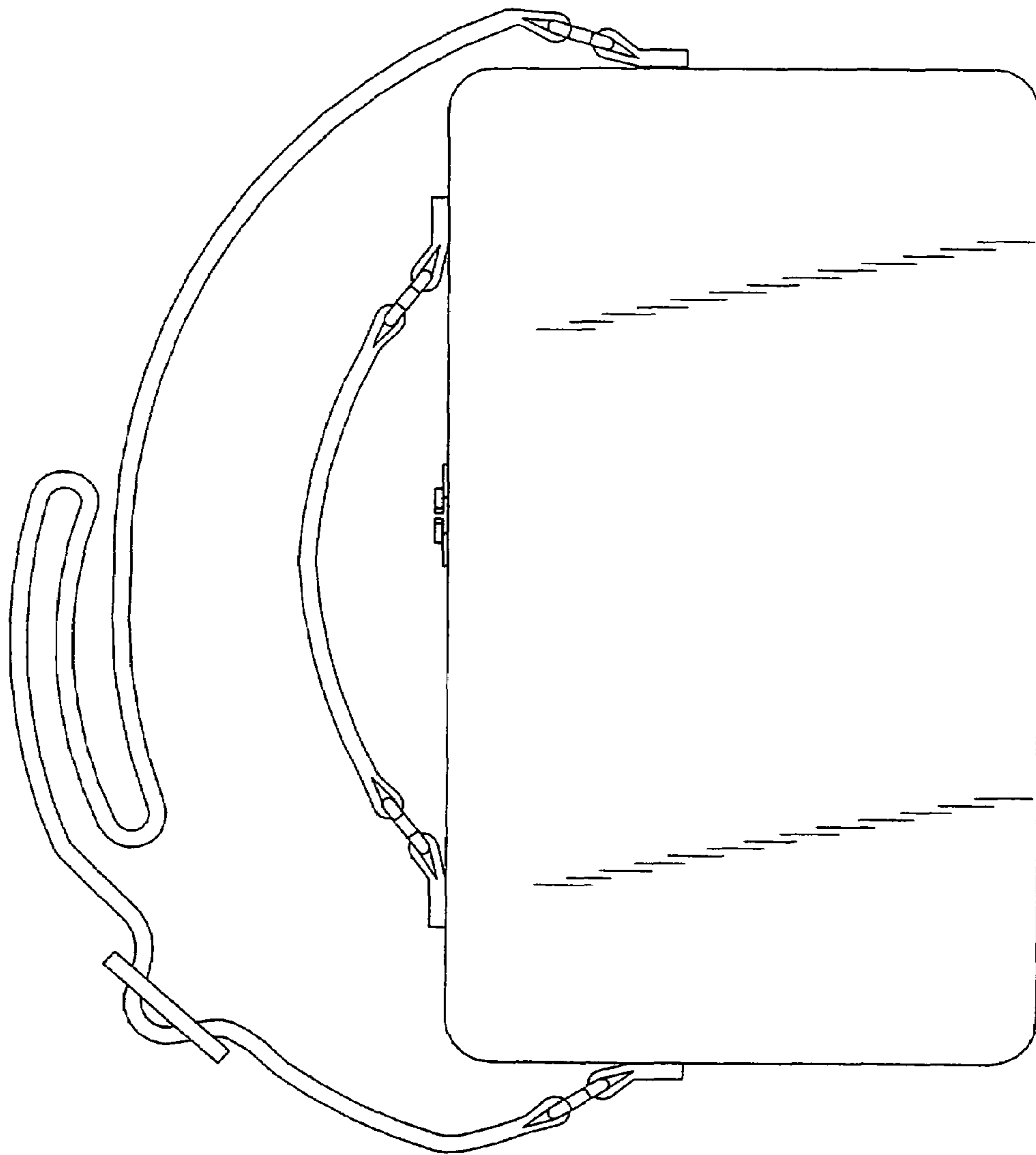


FIG. 4

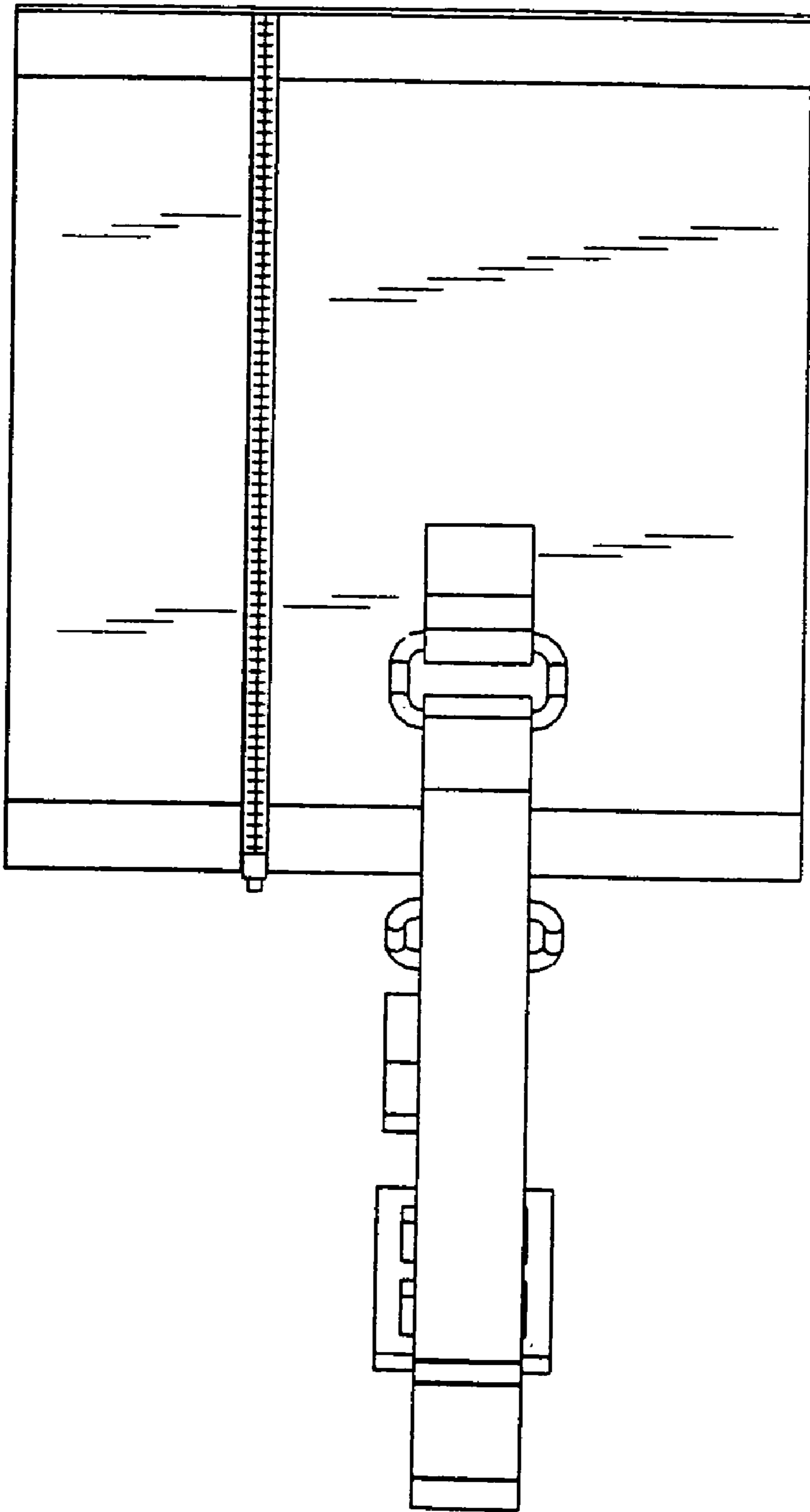


FIG. 5

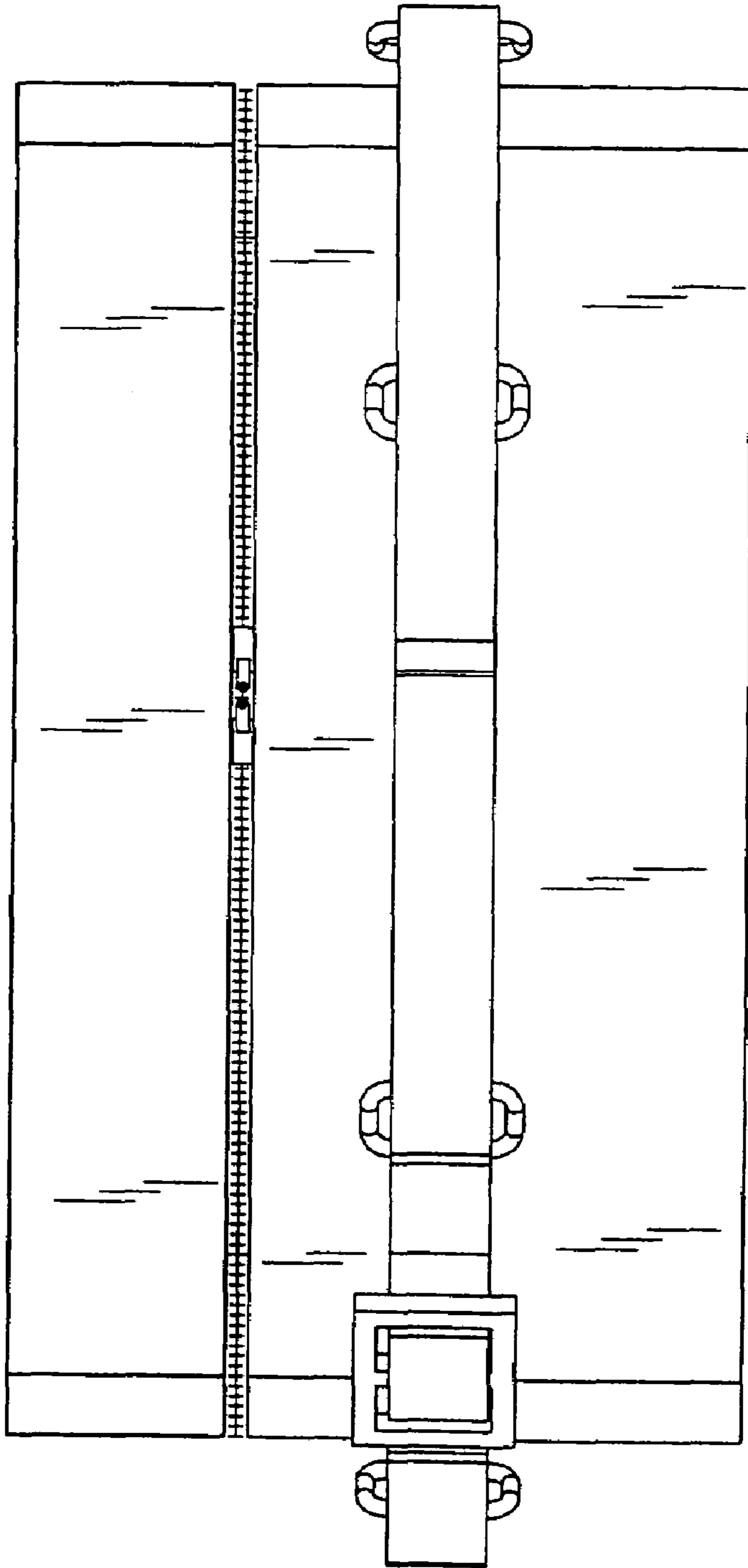


FIG. 6

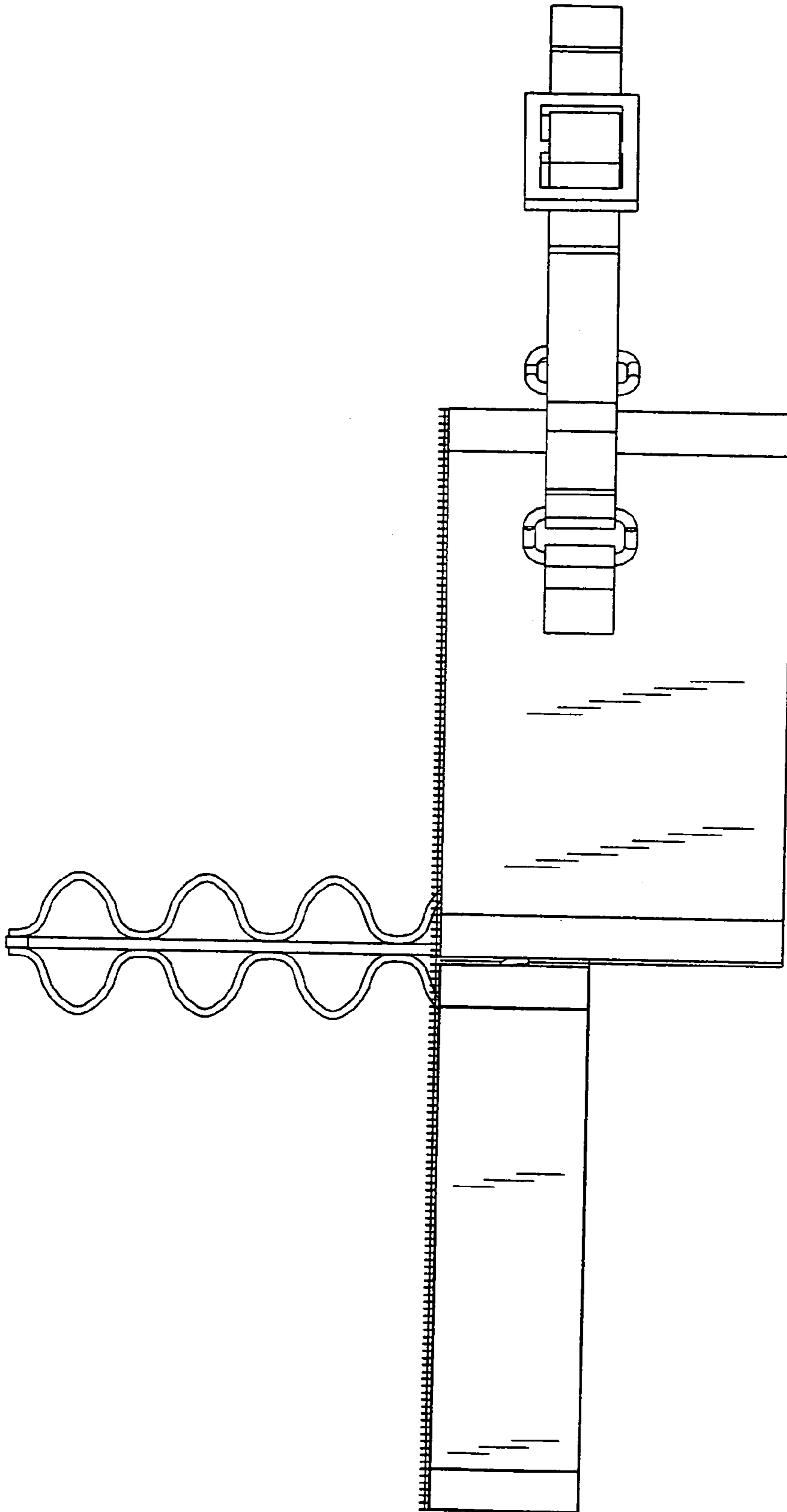


FIG. 7

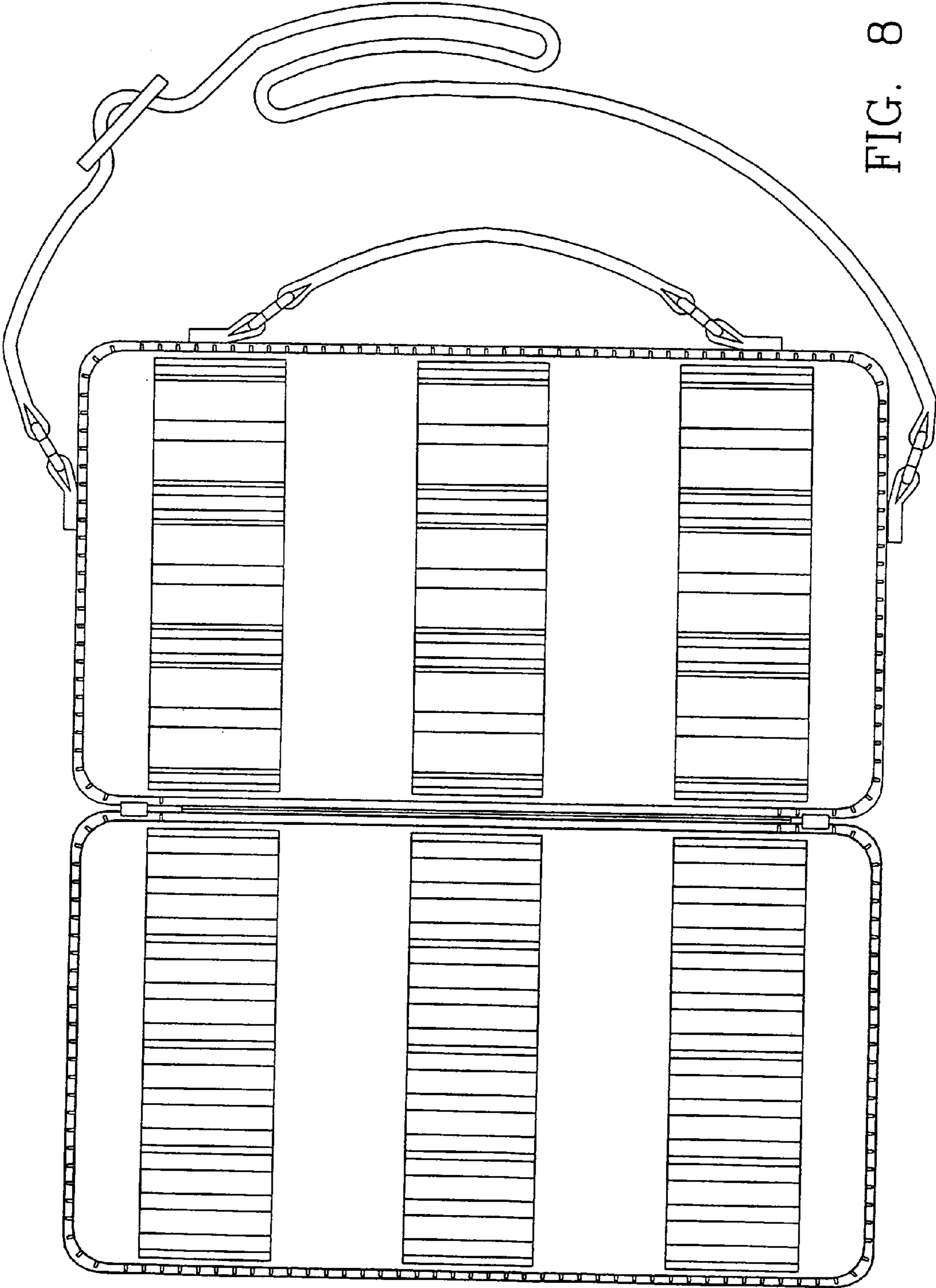


FIG. 8

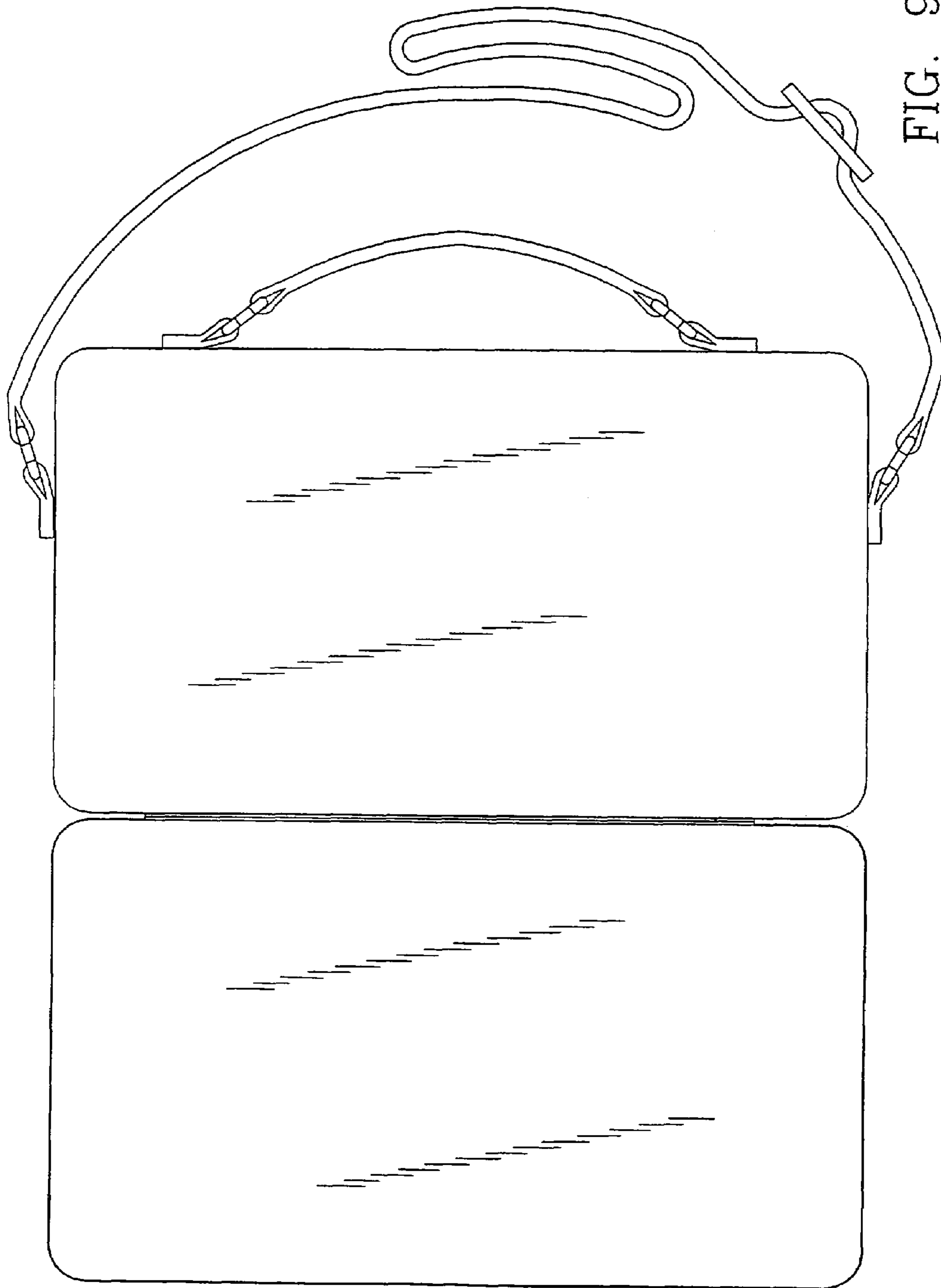


FIG. 9

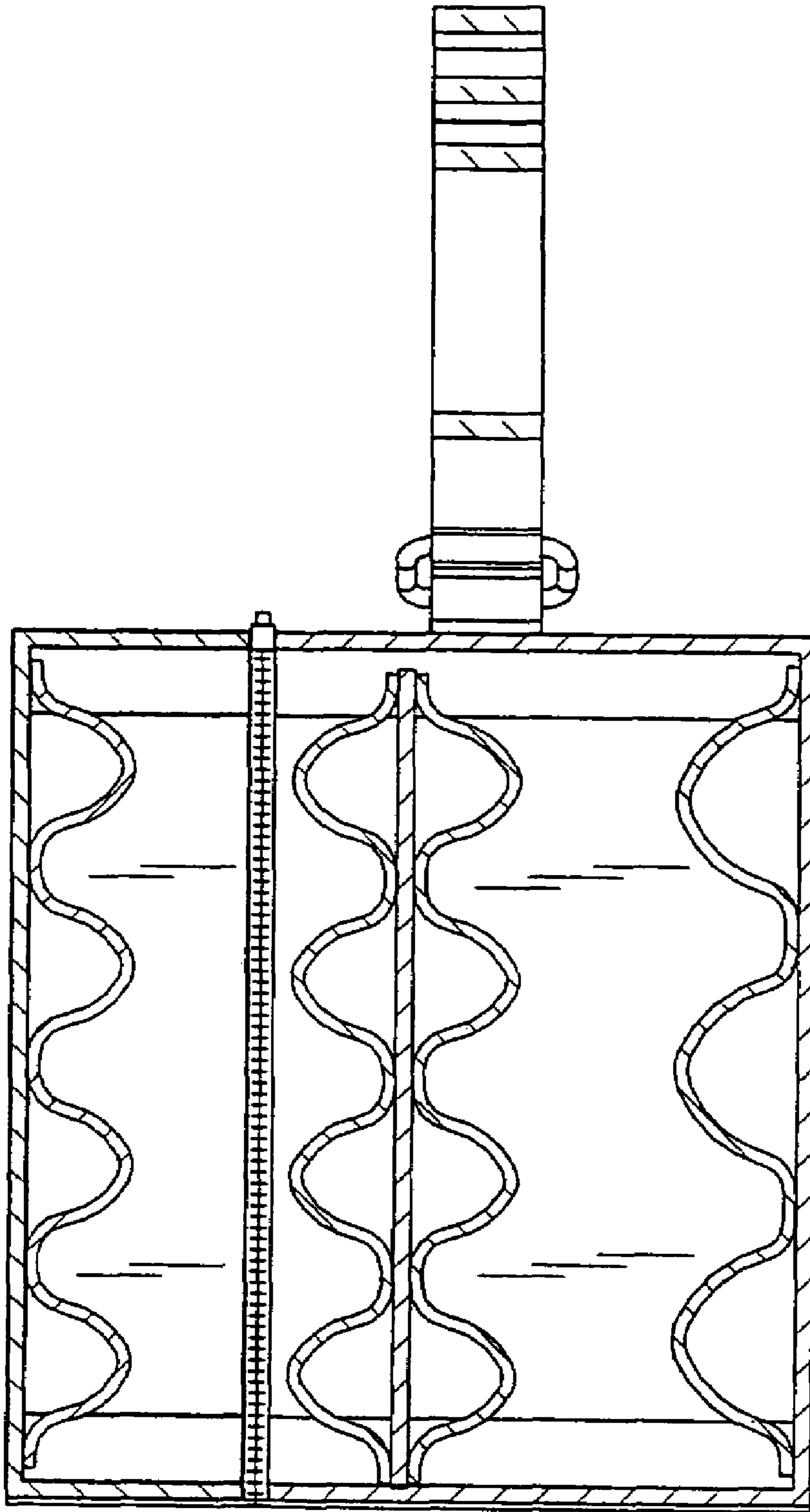


FIG. 10