

US00D546551S

(12) **United States Design Patent**
de Oliveira Santos

(10) **Patent No.:** **US D546,551 S**

(45) **Date of Patent:** **** Jul. 17, 2007**

(54) **BEACH UMBRELLA**

5,601,103 A * 2/1997 Dubinsky 135/15.1
D491,720 S * 6/2004 Clarke D3/5
D496,783 S * 10/2004 Medina D3/5

(75) Inventor: **Celso Meirelles de Oliveira Santos**,
Rio de Janeiro (BR)

* cited by examiner

(73) Assignee: **Luigi Fernando Milone** (BR)

Primary Examiner—Louis S. Zarfaz

(**) Term: **14 Years**

Assistant Examiner—Anhdao Doan

(21) Appl. No.: **29/221,158**

(74) *Attorney, Agent, or Firm*—D. Peter Hochberg; Sean Mellino

(22) Filed: **Jan. 12, 2005**

(57) **CLAIM**

(30) **Foreign Application Priority Data**

The ornamental design for a beach umbrella, as shown and described.

Jul. 14, 2004 (BR) DI 6402548-9

(51) **LOC (8) Cl.** **03-31**

DESCRIPTION

(52) **U.S. Cl.** **D3/5**

FIG. 1 is a perspective view of a beach umbrella seeing from above, showing my new design;

(58) **Field of Classification Search** D3/5-17;
135/15.1, 16, 19.5, 20.1, 21-24, 25.1, 25.4,
135/25.7, 98

FIG. 2 is a perspective view thereof seeing from below;

See application file for complete search history.

FIG. 3 is a top plan view thereof;

(56) **References Cited**

FIG. 4 is a bottom plan view thereof;

U.S. PATENT DOCUMENTS

FIG. 5 is a first side view thereof;

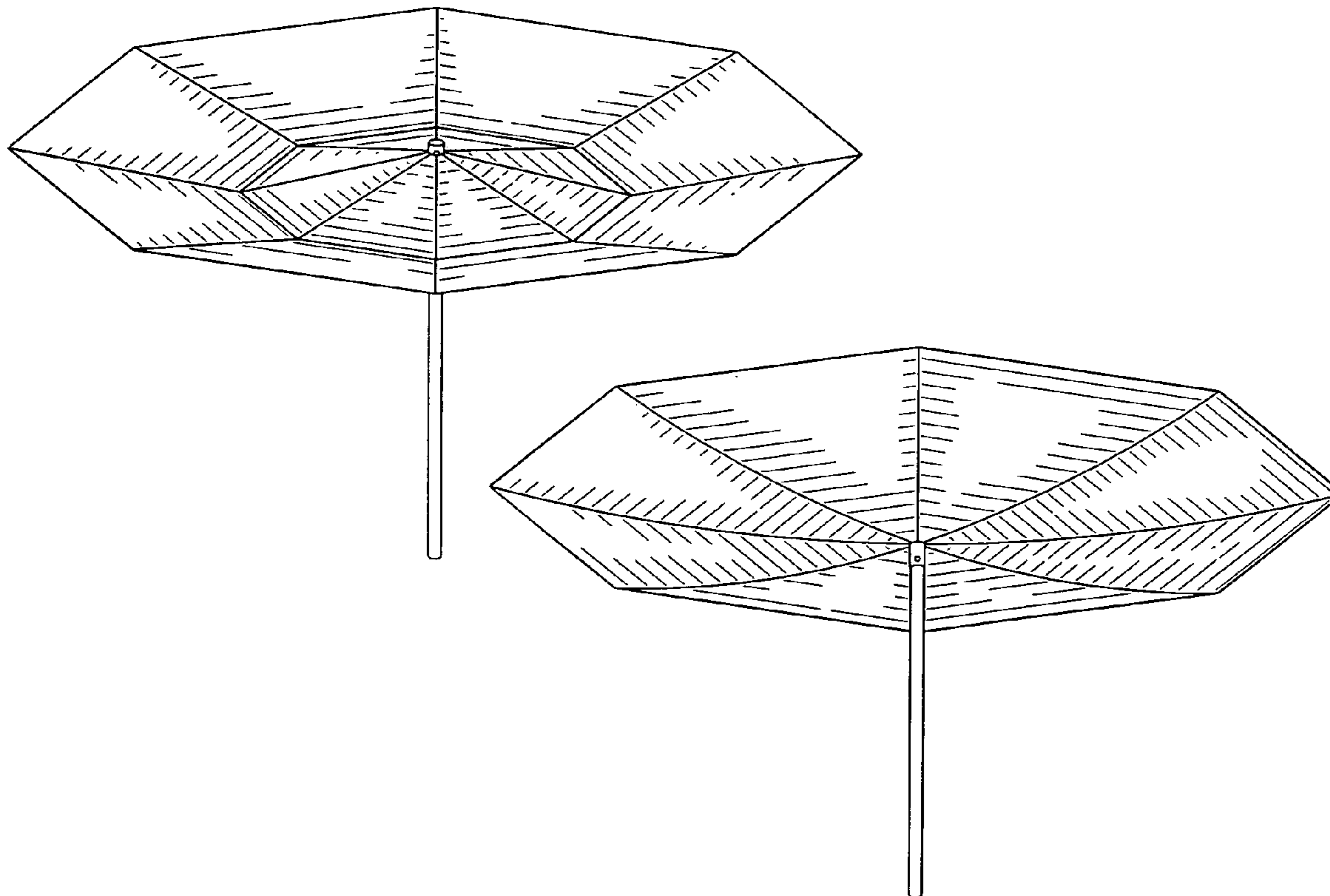
2,492,376 A * 12/1949 Brillas 135/23
D239,666 S * 4/1976 Medlin D3/5
4,711,260 A * 12/1987 Wiens et al. 135/16
D350,643 S * 9/1994 De Marco D3/5
D373,468 S * 9/1996 Dubinsky D3/5

FIG. 6 is a second side view thereof;

FIG. 7 is a third side view thereof; and,

FIG. 8 is a forth side view thereof.

1 Claim, 4 Drawing Sheets



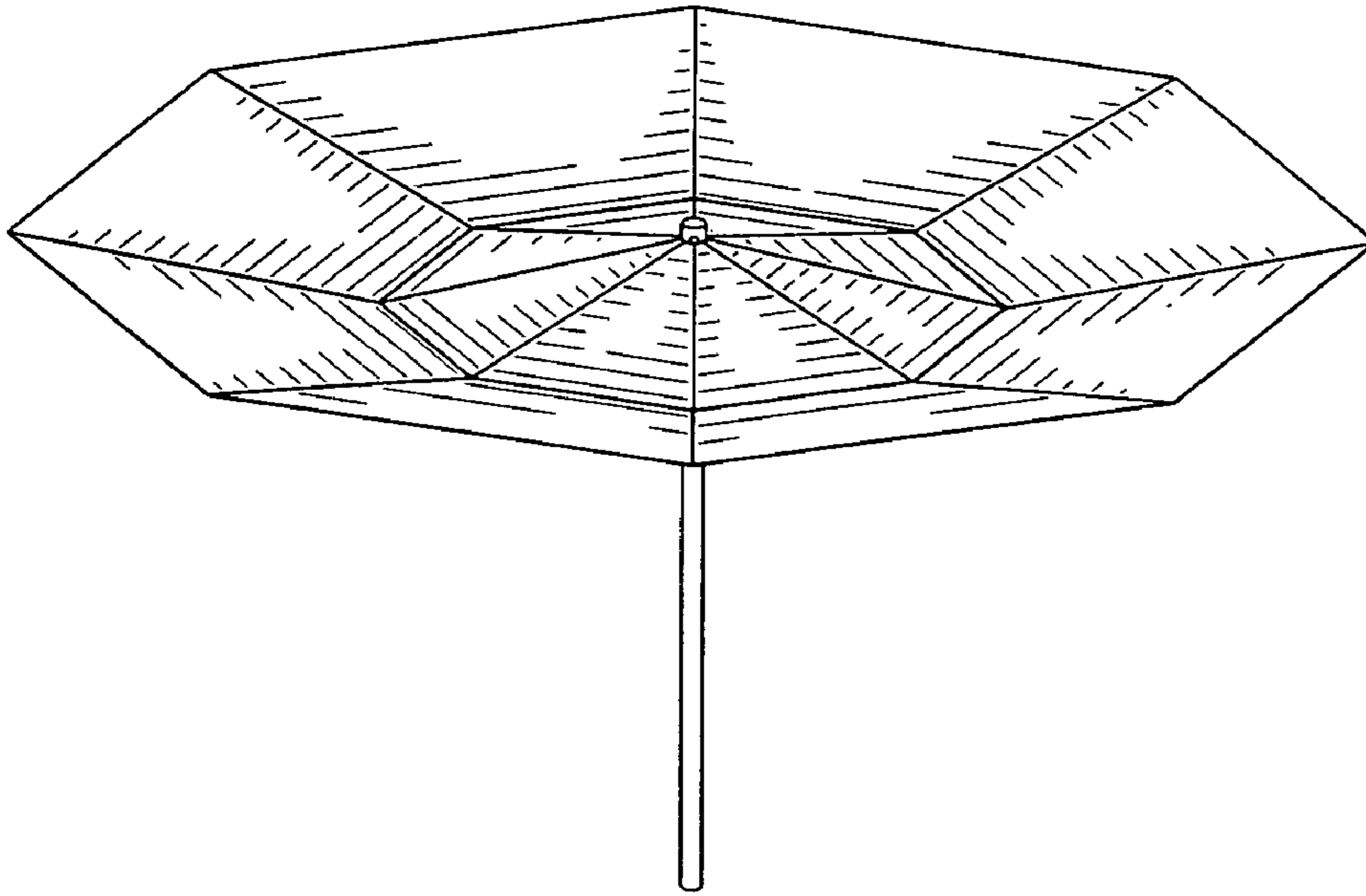


FIG-1

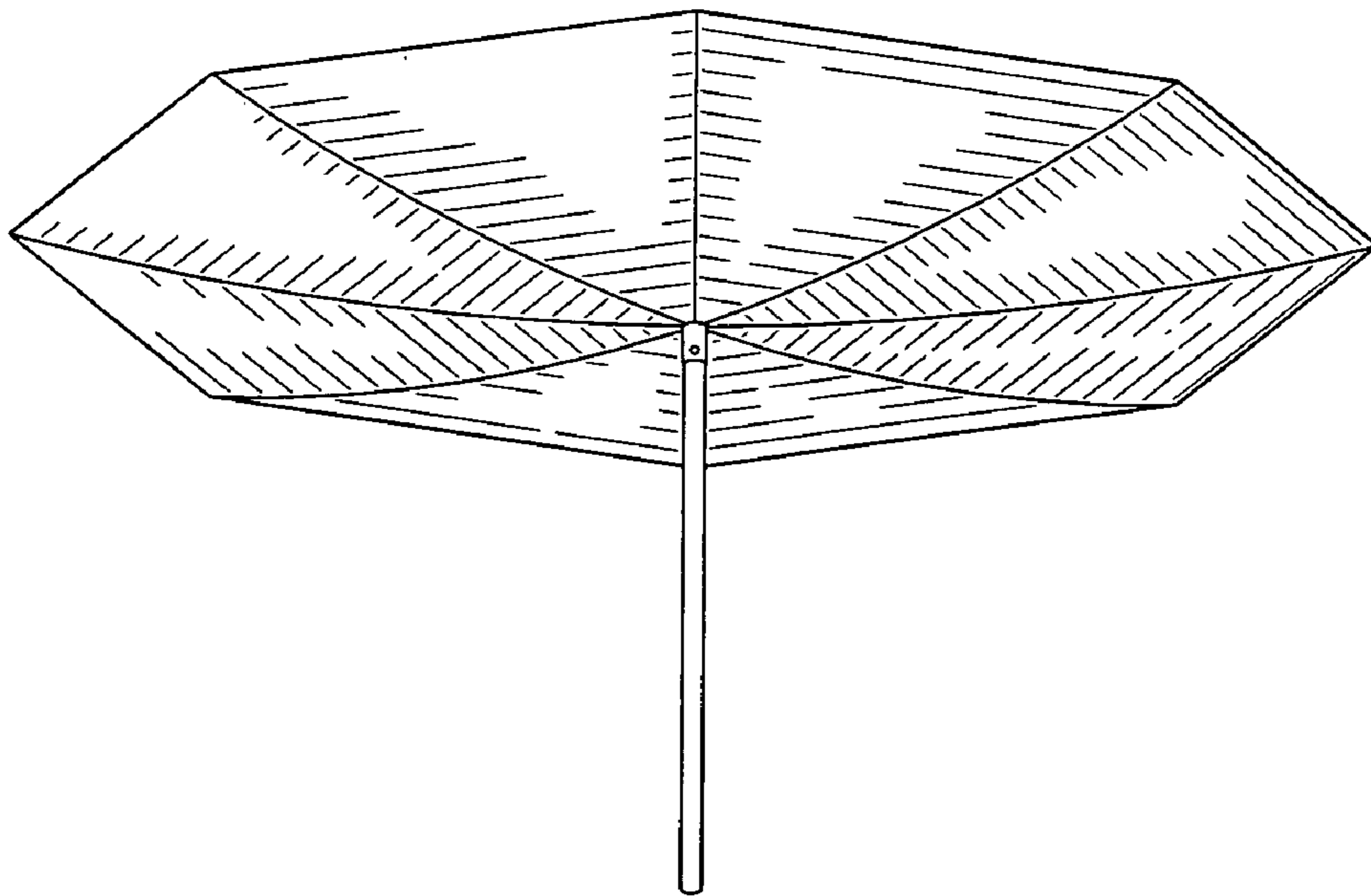


FIG-2

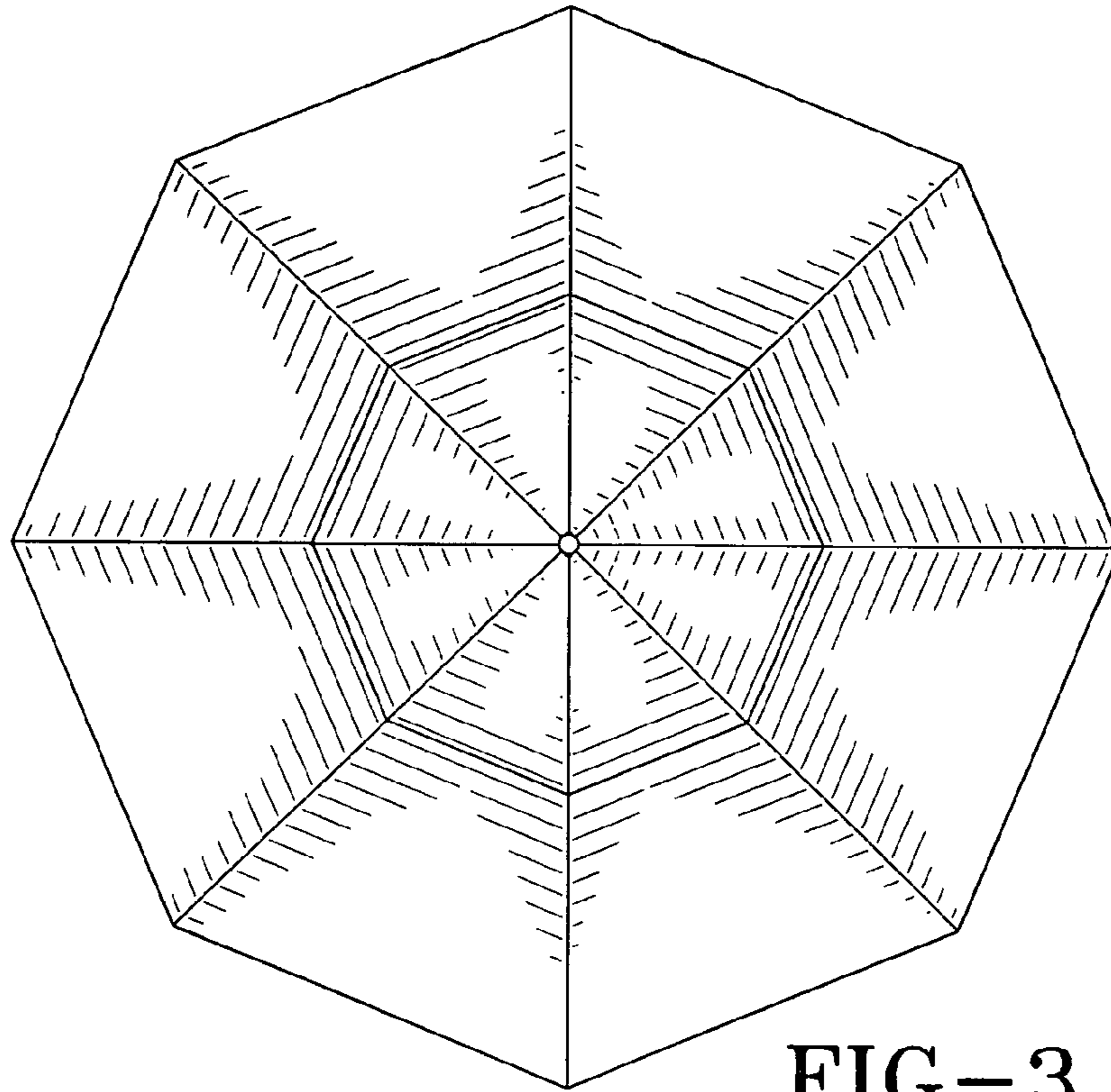


FIG-3

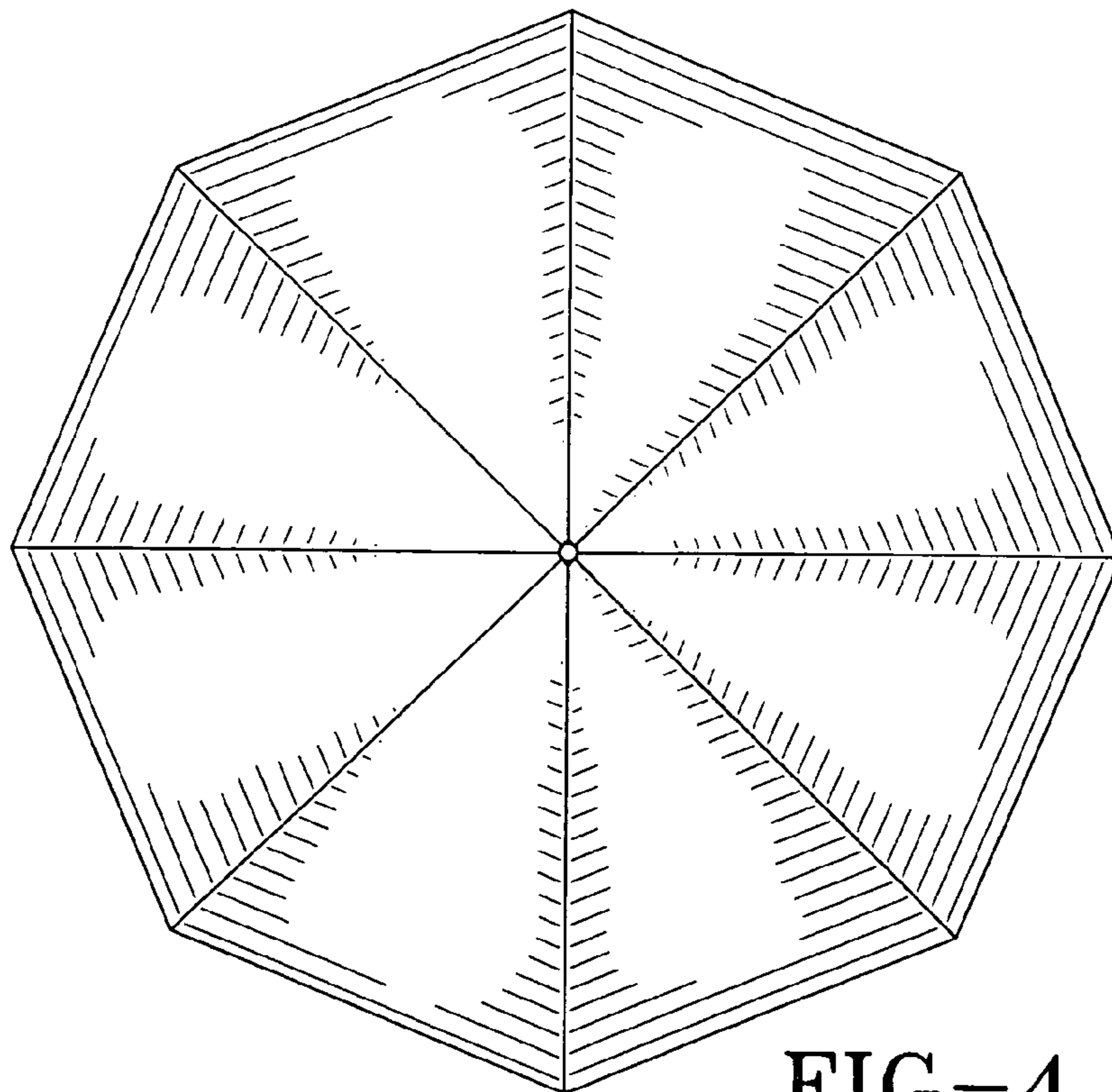


FIG-4

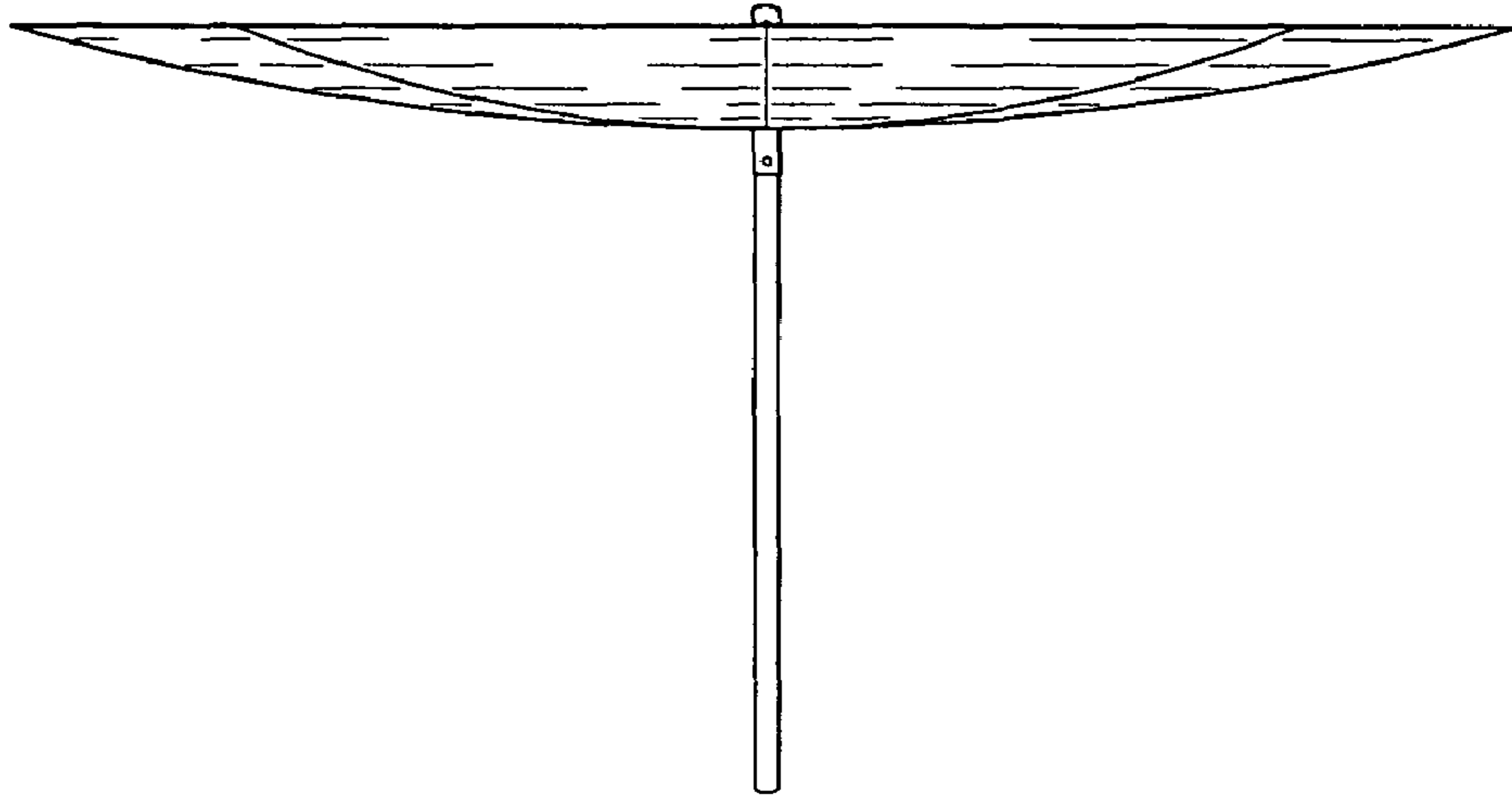


FIG-5

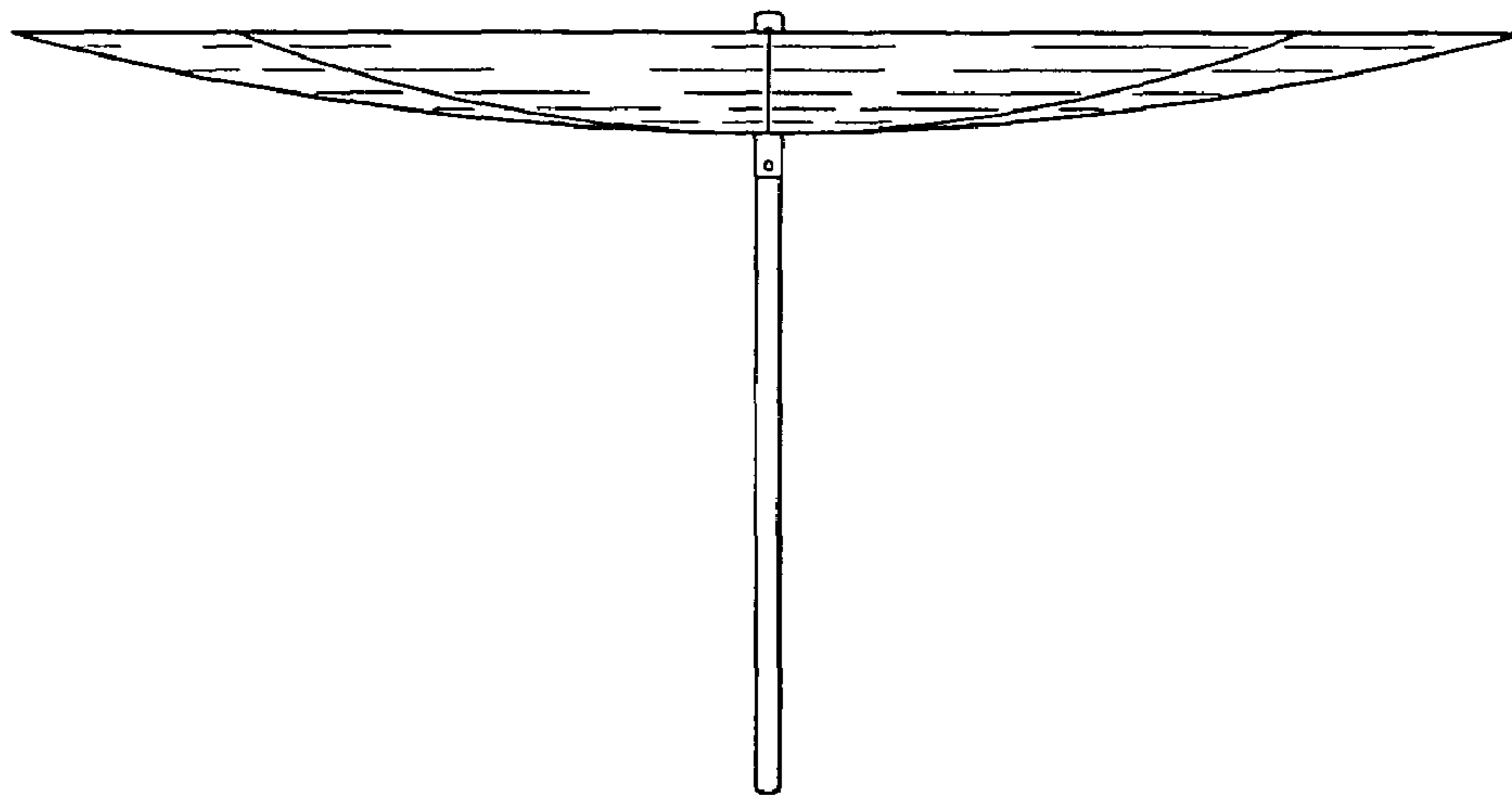


FIG-6

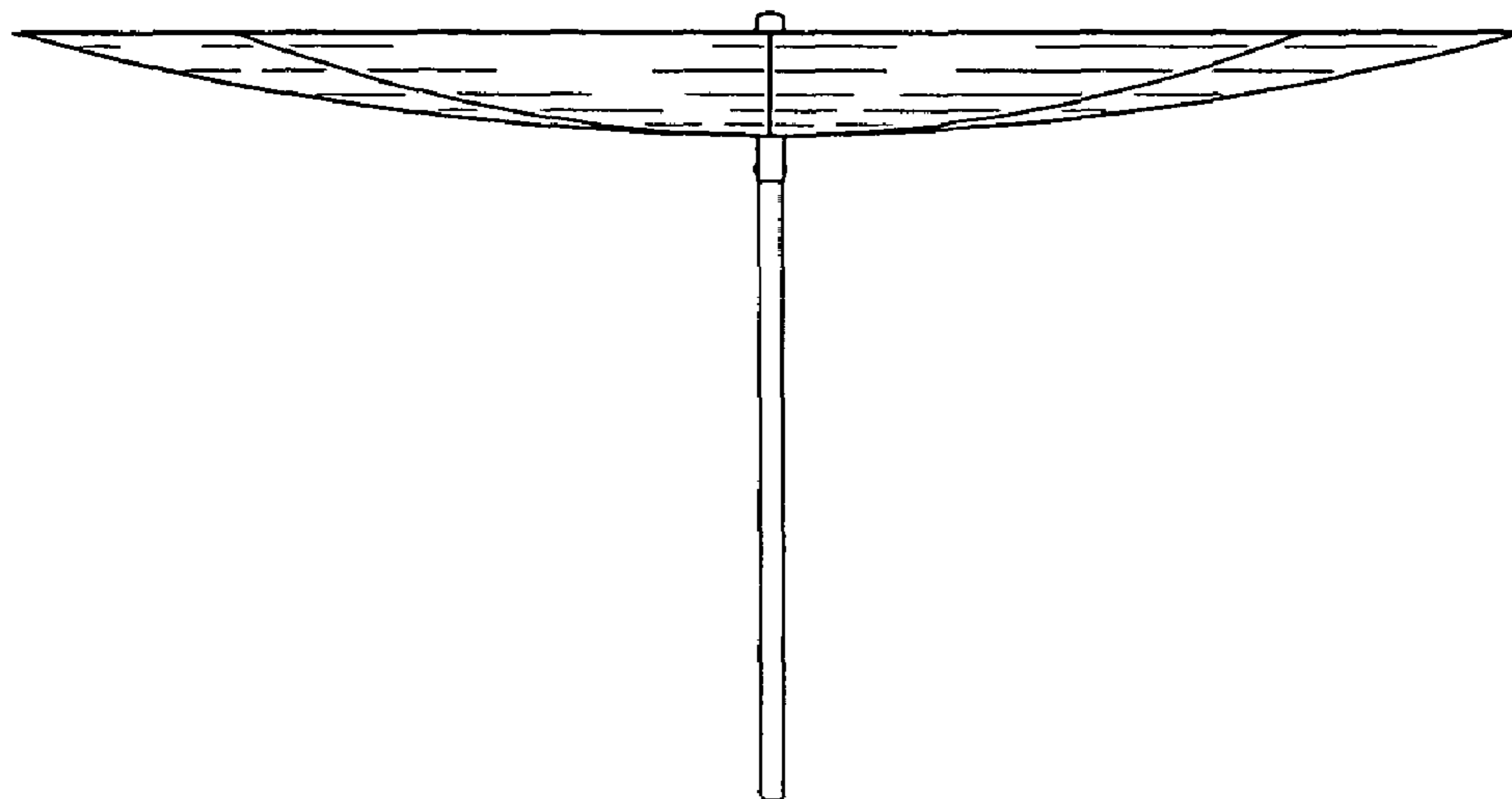


FIG-7

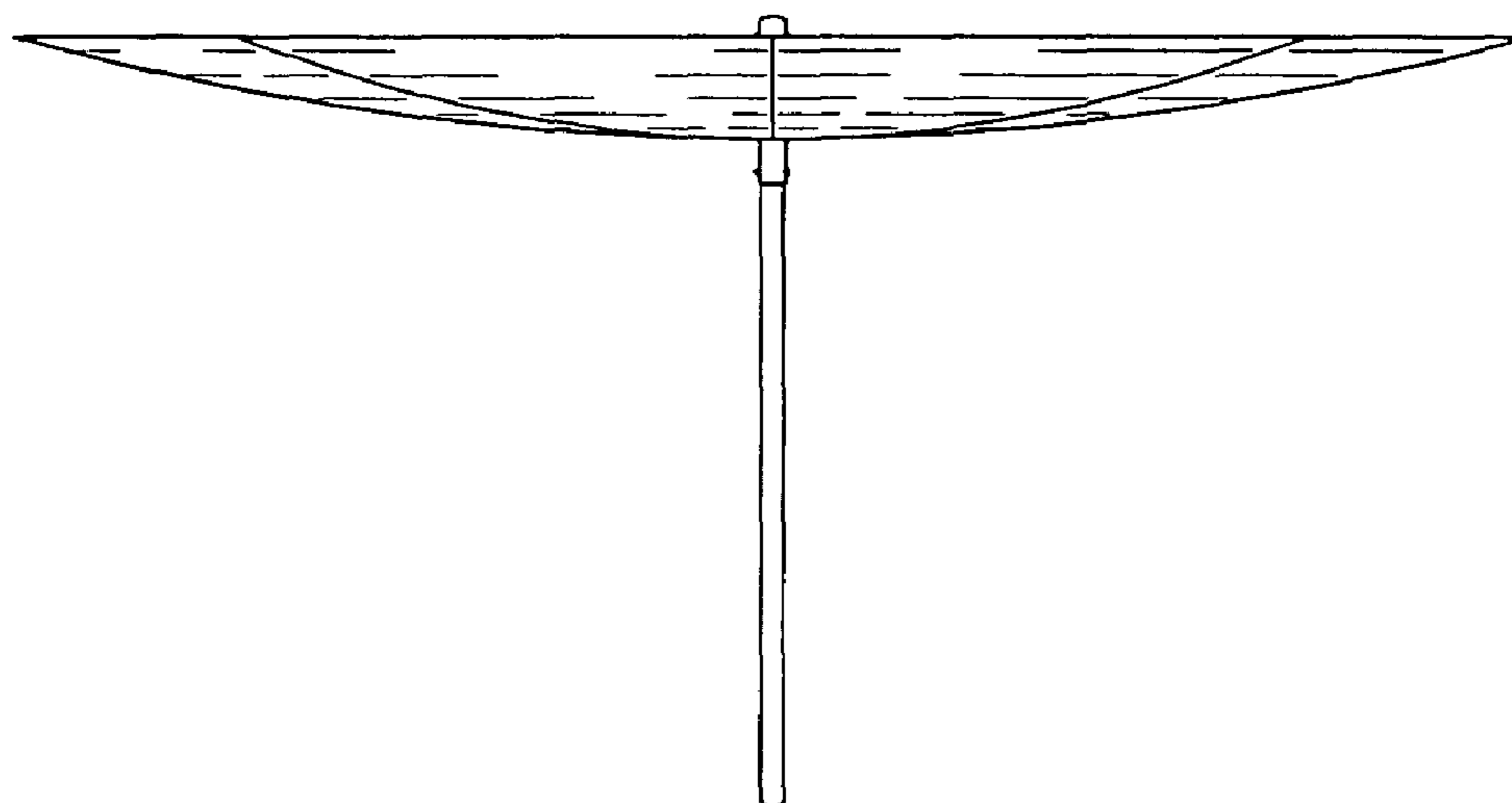


FIG-8