



US00D546530S

(12) **United States Design Patent**
McClaskie

(10) **Patent No.:** **US D546,530 S**

(45) **Date of Patent:** **** Jul. 17, 2007**

(54) **OUTSOLE FOR A SHOE**

(75) Inventor: **Thomas E. McClaskie**, Bethlehem, PA
(US)

(73) Assignee: **Columbia Insurance Company**,
Omaha, NE (US)

(**) Term: **14 Years**

(21) Appl. No.: **29/241,347**

(22) Filed: **Oct. 26, 2005**

(51) **LOC (8) Cl.** **02-04**

(52) **U.S. Cl.** **D2/952; D2/953**

(58) **Field of Classification Search** D2/902,
D2/946-949, 951-960; D5/6; 36/3 B, 22 R,
36/24.5, 25 R, 28, 32 R, 34 R, 67 A, 59 C
See application file for complete search history.

(56) **References Cited**

U.S. PATENT DOCUMENTS

D80,256 S *	1/1930	Chrisfield	D2/952
D84,816 S *	8/1931	Freudenberg	D5/16
1,974,543 A	9/1934	Reymond	12/142
2,046,217 A	6/1936	Strauss	36/72
2,079,237 A	5/1937	Allard	36/72
2,160,768 A	5/1939	Wasser	36/72
2,344,069 A	3/1944	Wasser	36/72
D144,330 S *	4/1946	Walter	D5/6
3,091,871 A	6/1963	Tronche	36/72
3,175,310 A	3/1965	MacQuaid	36/72
3,175,311 A	3/1965	MacQuaid	36/72
3,191,321 A	6/1965	Brütting	36/72
3,213,551 A	10/1965	Krauss	36/2.5
3,407,518 A	10/1968	MacQuaid et al.	36/72
3,525,165 A	8/1970	Randall, Jr.	36/2.5
3,561,142 A	2/1971	Streit, Sr. et al.	36/72
D240,962 S *	8/1976	Matsumoto	D5/16
4,231,170 A	11/1980	Griswold	36/72
4,366,629 A	1/1983	Scherz	36/4

4,562,652 A	1/1986	Hensler	36/102
4,908,963 A	3/1990	Krajcir et al.	36/77
4,995,174 A	2/1991	Hong et al.	36/72
5,048,203 A	9/1991	Kling	36/32
5,185,944 A	2/1993	Okajima	36/45
5,499,459 A	3/1996	Tomaro	36/10

(Continued)

Primary Examiner—Celia A. Murphy

(74) *Attorney, Agent, or Firm*—St. Onge Steward Johnston
& Reens LLC

(57) **CLAIM**

I claim the ornamental design for an outsole for a shoe, as shown and described.

DESCRIPTION

FIG. 1 is a bottom view of an outsole for a shoe showing my new design;

FIG. 2 is a bottom perspective view thereof;

FIG. 3 is a right side view thereof;

FIG. 4 is a left side view thereof;

FIG. 5 is a front view thereof;

FIG. 6 is a rear view thereof;

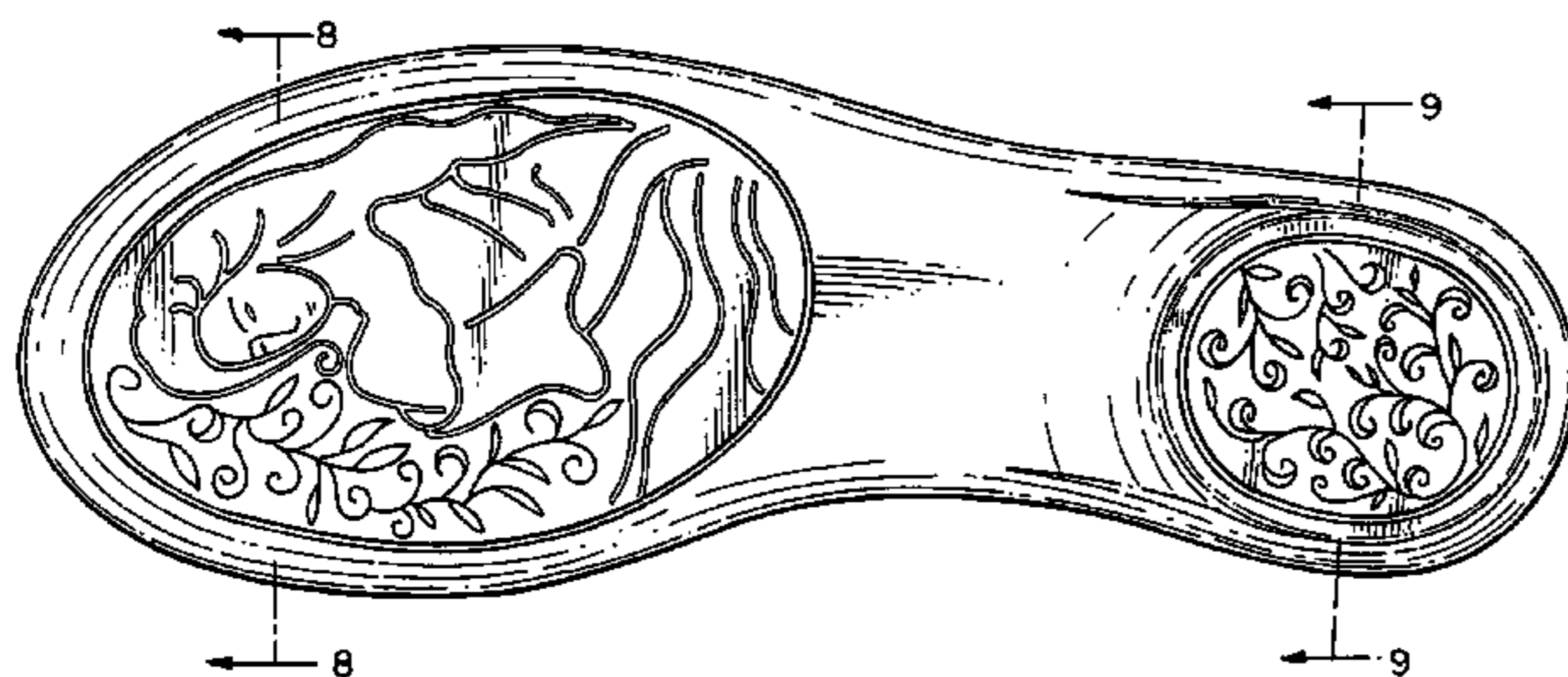
FIG. 7 is an enlarged perspective view of the area referenced as "7" in FIG. 2;

FIG. 8 is an enlarged cross sectional view taken on line 8-8 of FIG. 1; and,

FIG. 9 is an enlarged cross sectional view taken on line 9-9 of FIG. 1.

The broken lines showing a shoe upper in FIGS. 2-6, and the broken lines showing the interior surfaces in FIGS. 8 and 9, represent the portions of the design that form no part of the claim.

1 Claim, 5 Drawing Sheets



US D546,530 S

Page 2

U.S. PATENT DOCUMENTS

5,526,584 A	6/1996	Bleimhofer et al.	36/10	D528,747 S *	9/2006	Issler	D2/916
D386,592 S *	11/1997	Lucas	D2/948	D530,063 S *	10/2006	Issler	D2/916
5,738,937 A	4/1998	Baychar	428/316.6	D531,393 S *	11/2006	McClaskie	D2/952
D466,273 S *	12/2002	Byrd	D2/952	D531,787 S *	11/2006	McClaskie	D2/952
D488,303 S *	4/2004	Dwiggins et al.	D5/39	D532,188 S *	11/2006	McClaskie	D2/952
D495,856 S *	9/2004	McClaskie	D2/952	2002/0035793 A1 *	3/2002	Byrd	36/8.4
D511,609 S *	11/2005	Magro et al.	D2/908				

* cited by examiner



FIG. 1

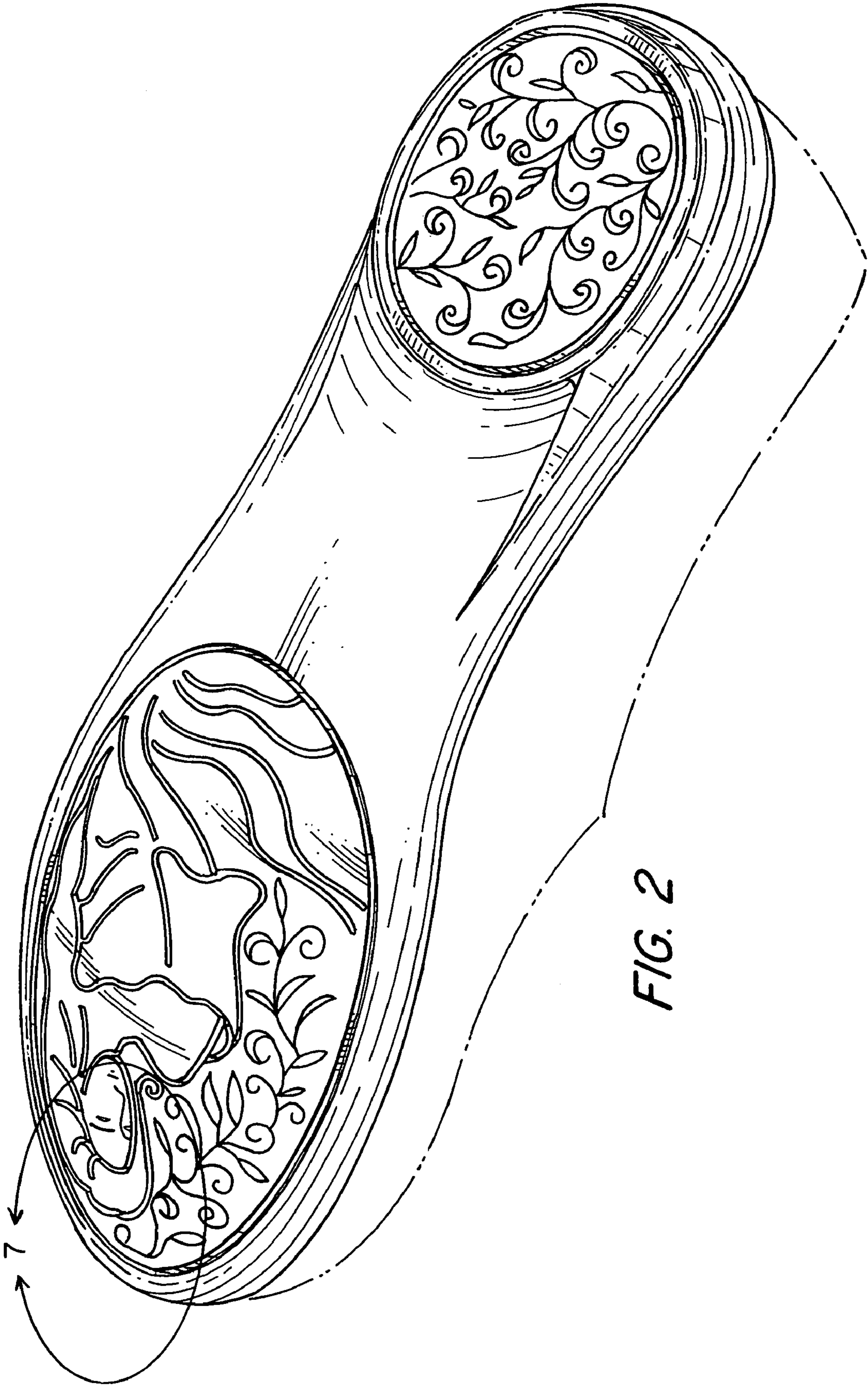


FIG. 2

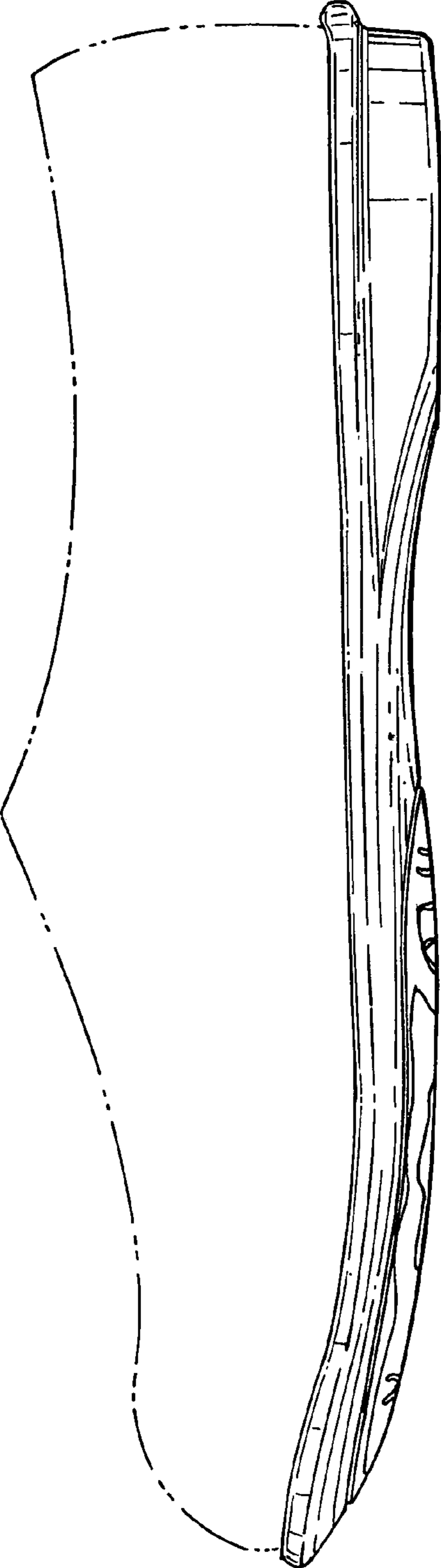


FIG. 3

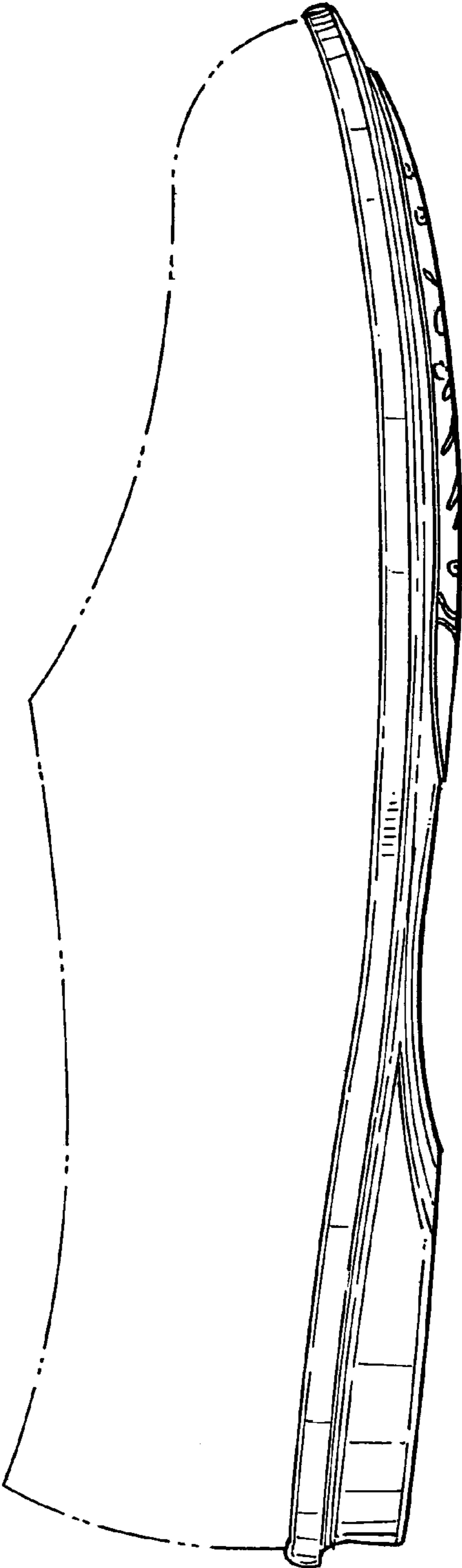


FIG. 4

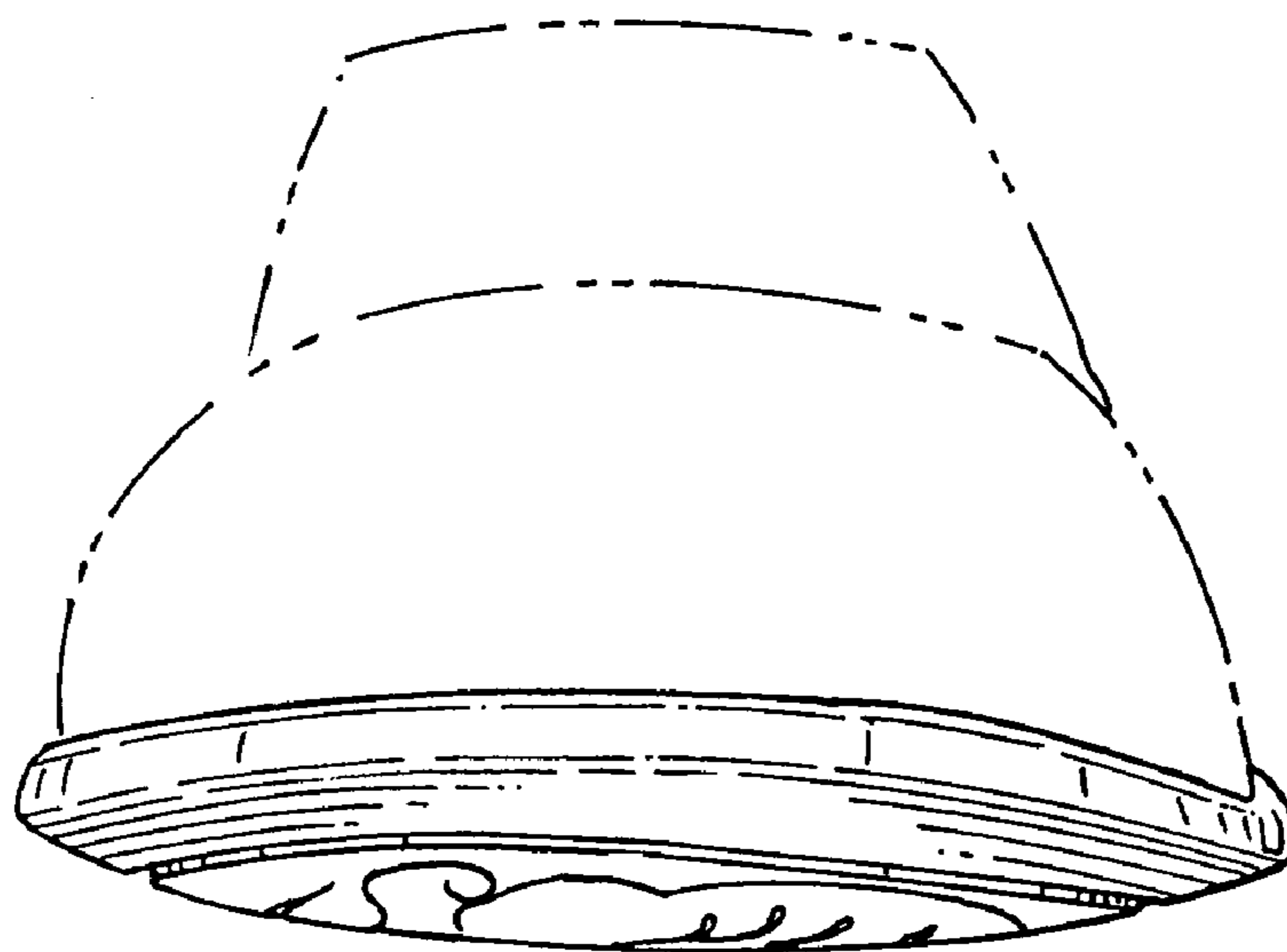


FIG. 5

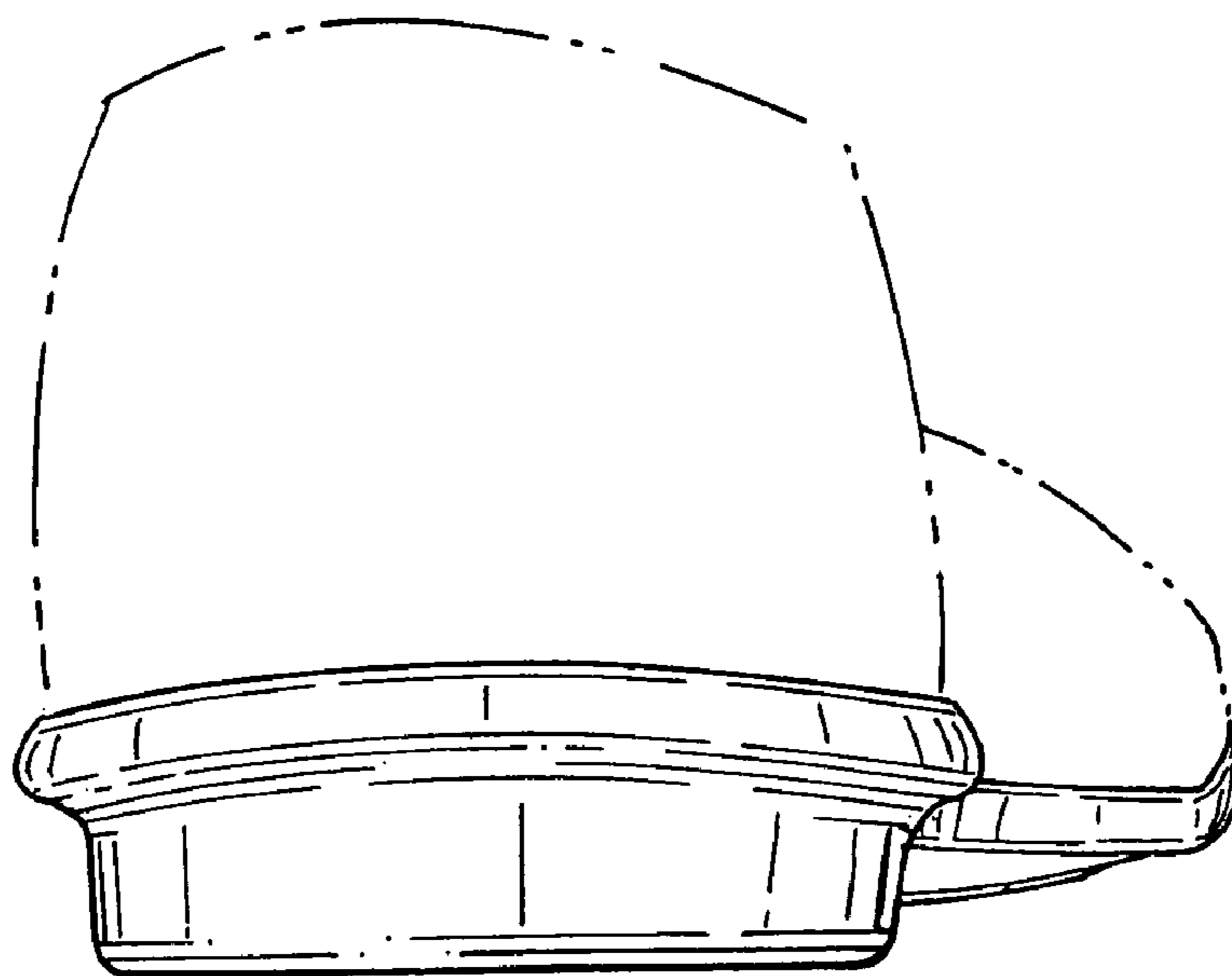


FIG. 6

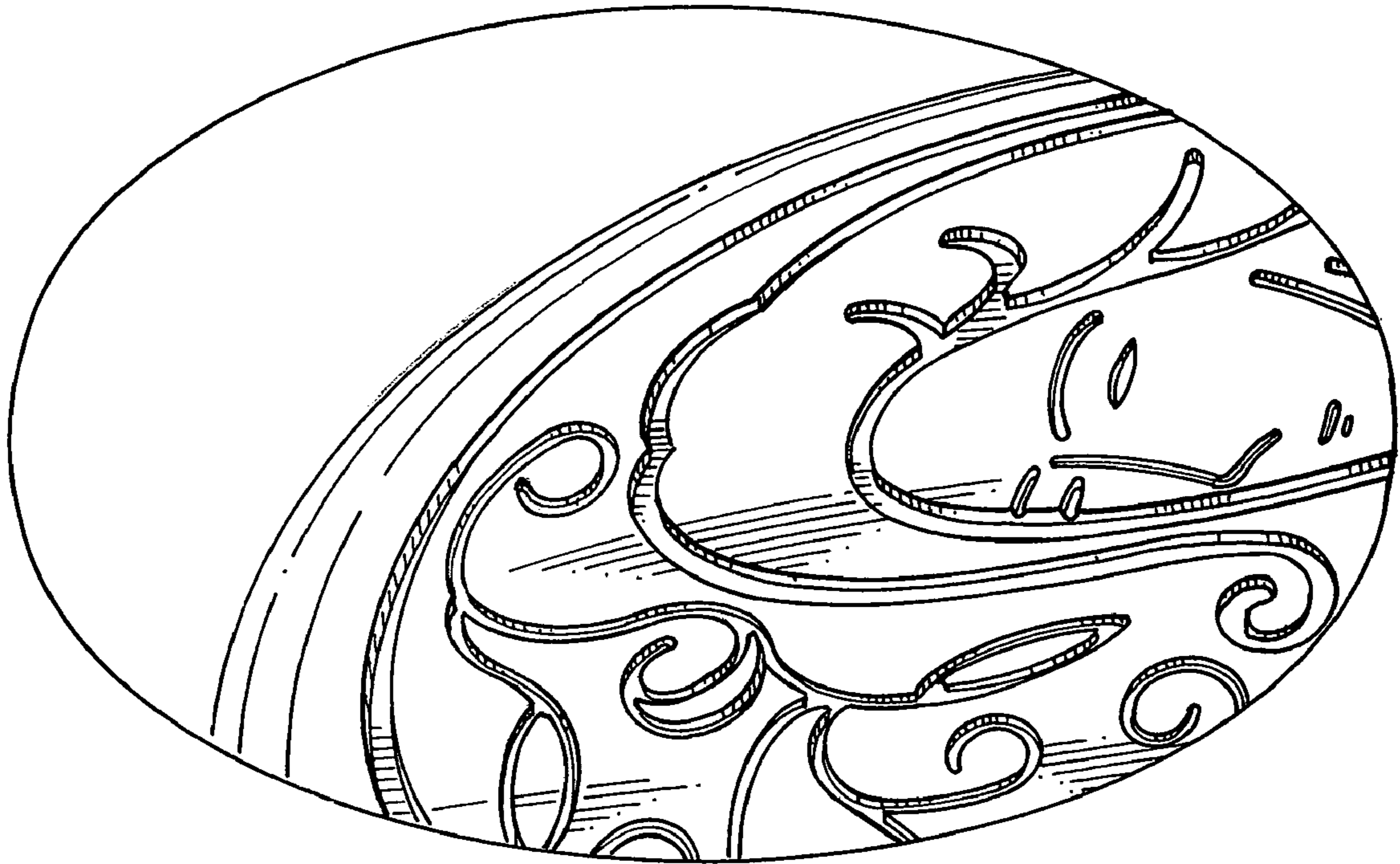


FIG. 7

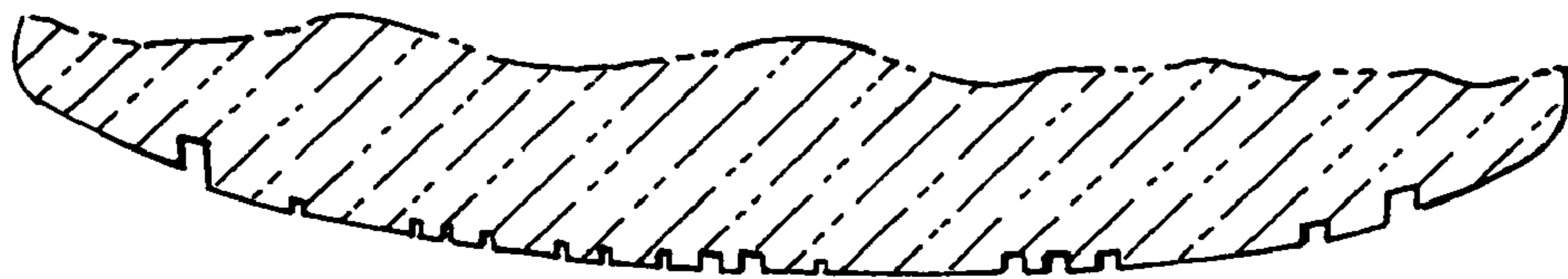


FIG. 8

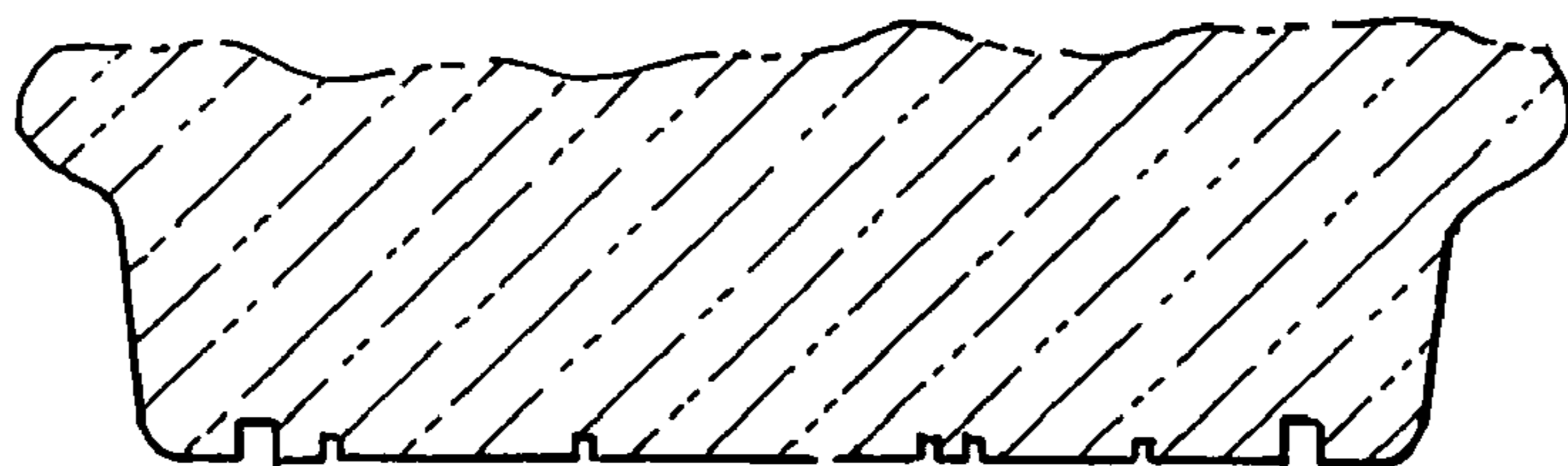


FIG. 9