

US00D546524S

(12) **United States Design Patent**
Chambers

(10) **Patent No.:** **US D546,524 S**

(45) **Date of Patent:** **** Jul. 10, 2007**

(54) **COVER FOR ELECTRONICS OF
MOTORIZED HAND TRUCK**

D524,505 S * 7/2006 Babkes D34/14

* cited by examiner

(76) Inventor: **Steven J. Chambers**, 12743 Venice
Blvd., Los Angeles, CA (US) 90066

Primary Examiner—Cynthia E. Ramirez

(74) *Attorney, Agent, or Firm*—Kenneth Green; Edgar W.
Averill, Jr.

(**) Term: **14 Years**

(57) **CLAIM**

(21) Appl. No.: **29/260,850**

The ornamental design for a cover for electronics of motor-
ized hand truck, as shown and described.

(22) Filed: **Jun. 2, 2006**

(51) **LOC (8) Cl.** **12-05**

(52) **U.S. Cl.** **D34/27**

(58) **Field of Classification Search** D34/12-27;
280/47.17, 47.19, 47.24, 47.26, 47.27, 47.28,
280/47.34, 79.1

See application file for complete search history.

DESCRIPTION

FIG. 1 is a perspective view showing the front, top and right
side view of a cover for electronics of a motorized hand
truck showing my new design.

FIG. 2 is a perspective view showing the rear, top and right
side thereof.

FIG. 3 is a front view thereof.

FIG. 4 is a top view thereof.

FIG. 5 is a right side view thereof.

FIG. 6 is a left side view thereof.

FIG. 7 is a rear view thereof; and,

FIG. 8 is a bottom view thereof.

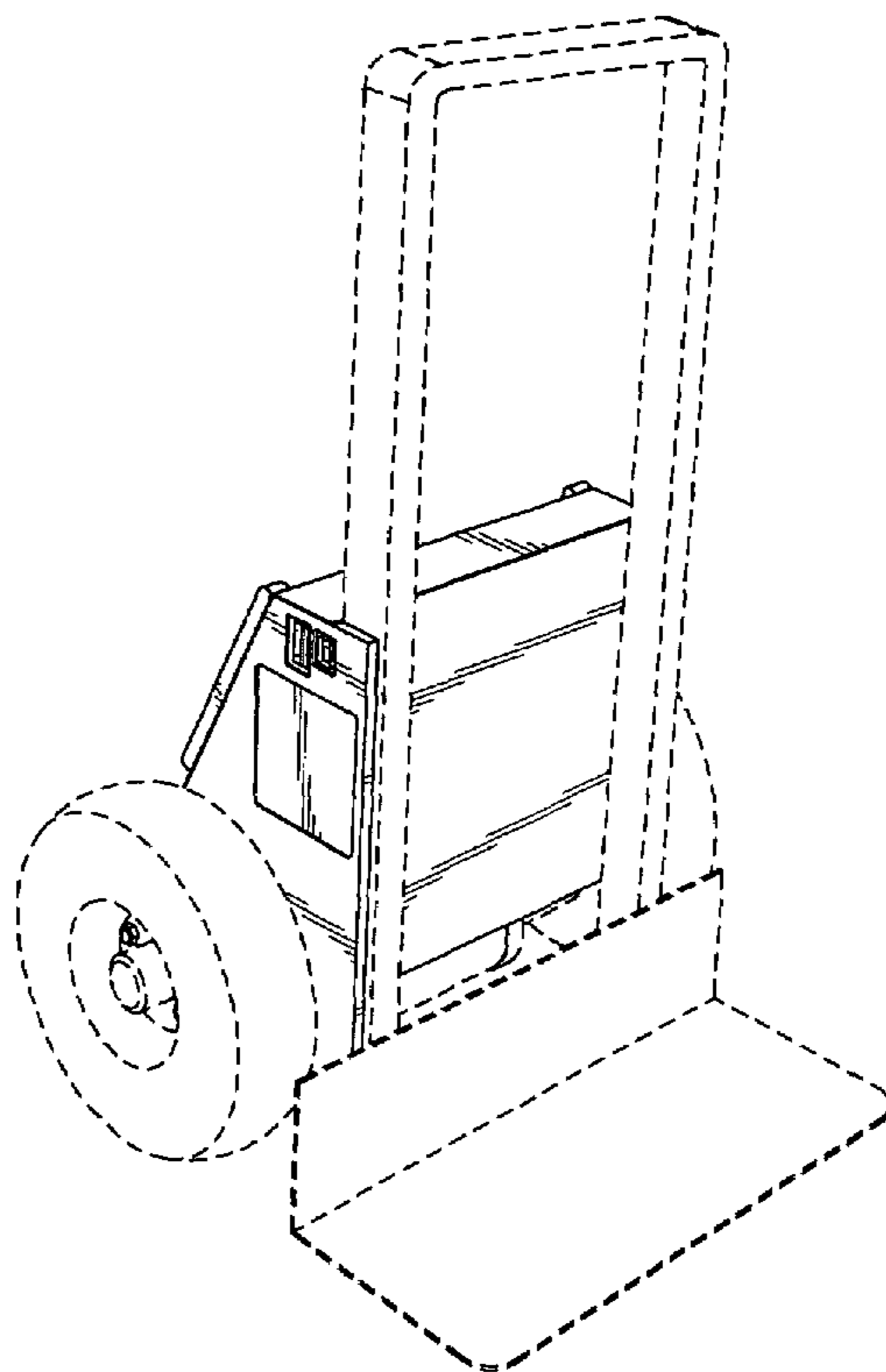
The broken line showing of a cart is included for the purpose
of illustrating portions of the 'article' and forms no part of
the claimed design.

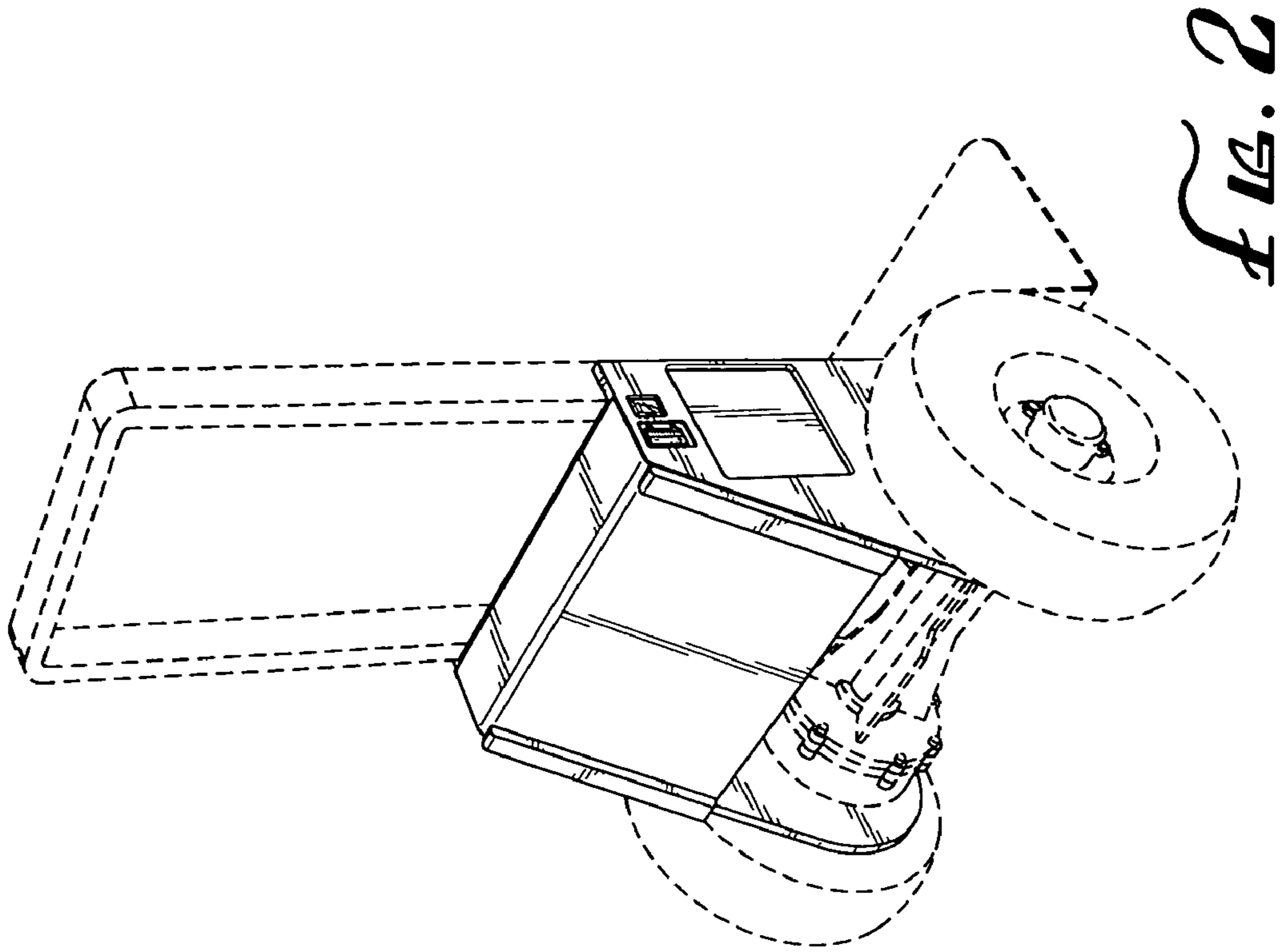
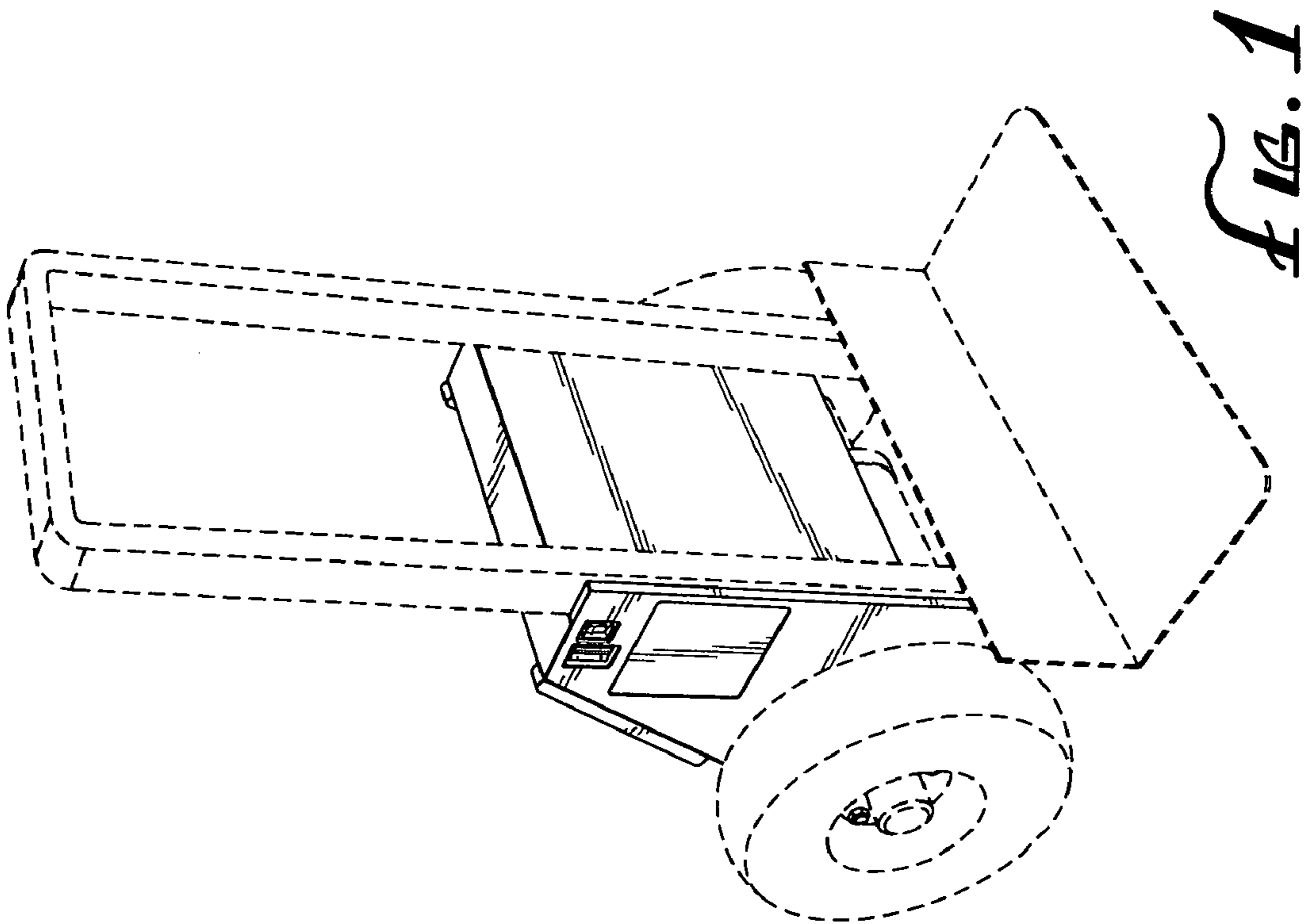
(56) **References Cited**

U.S. PATENT DOCUMENTS

4,795,186	A *	1/1989	Tyus	280/651
D311,622	S *	10/1990	Swig	D34/25
5,641,170	A *	6/1997	Helm	280/30
5,797,612	A *	8/1998	Buccioni	280/47.26
5,799,958	A *	9/1998	Bishop	280/47.26
5,899,285	A *	5/1999	Curbelo	180/65.1
5,899,467	A *	5/1999	Henkel	280/47.25
5,988,657	A *	11/1999	Henkel	280/47.25
D449,144	S *	10/2001	Measom	D34/27
6,398,235	B1 *	6/2002	Cary	280/47.26
6,913,279	B1 *	7/2005	Opalka et al.	280/642

1 Claim, 4 Drawing Sheets





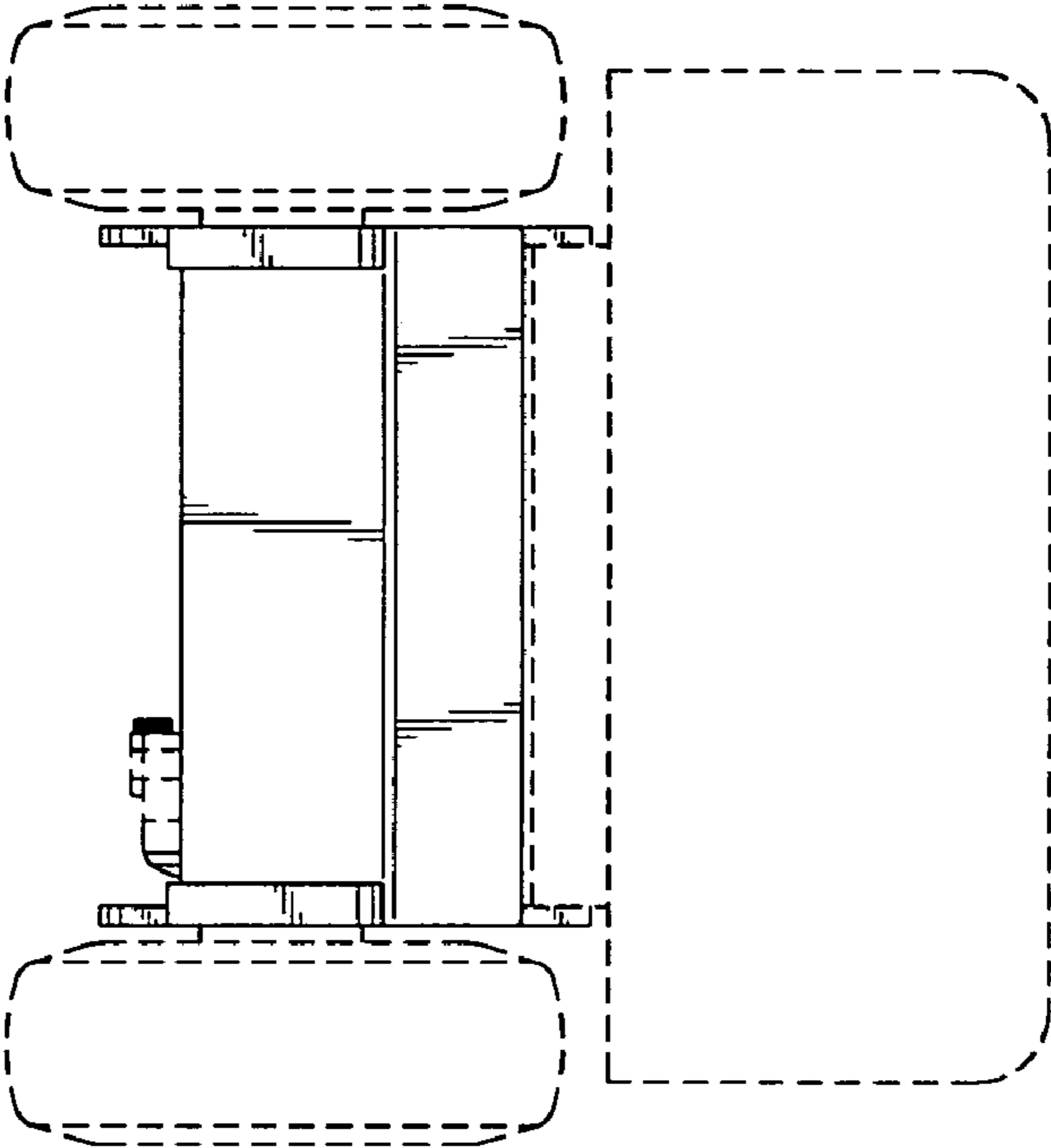


FIG. 4

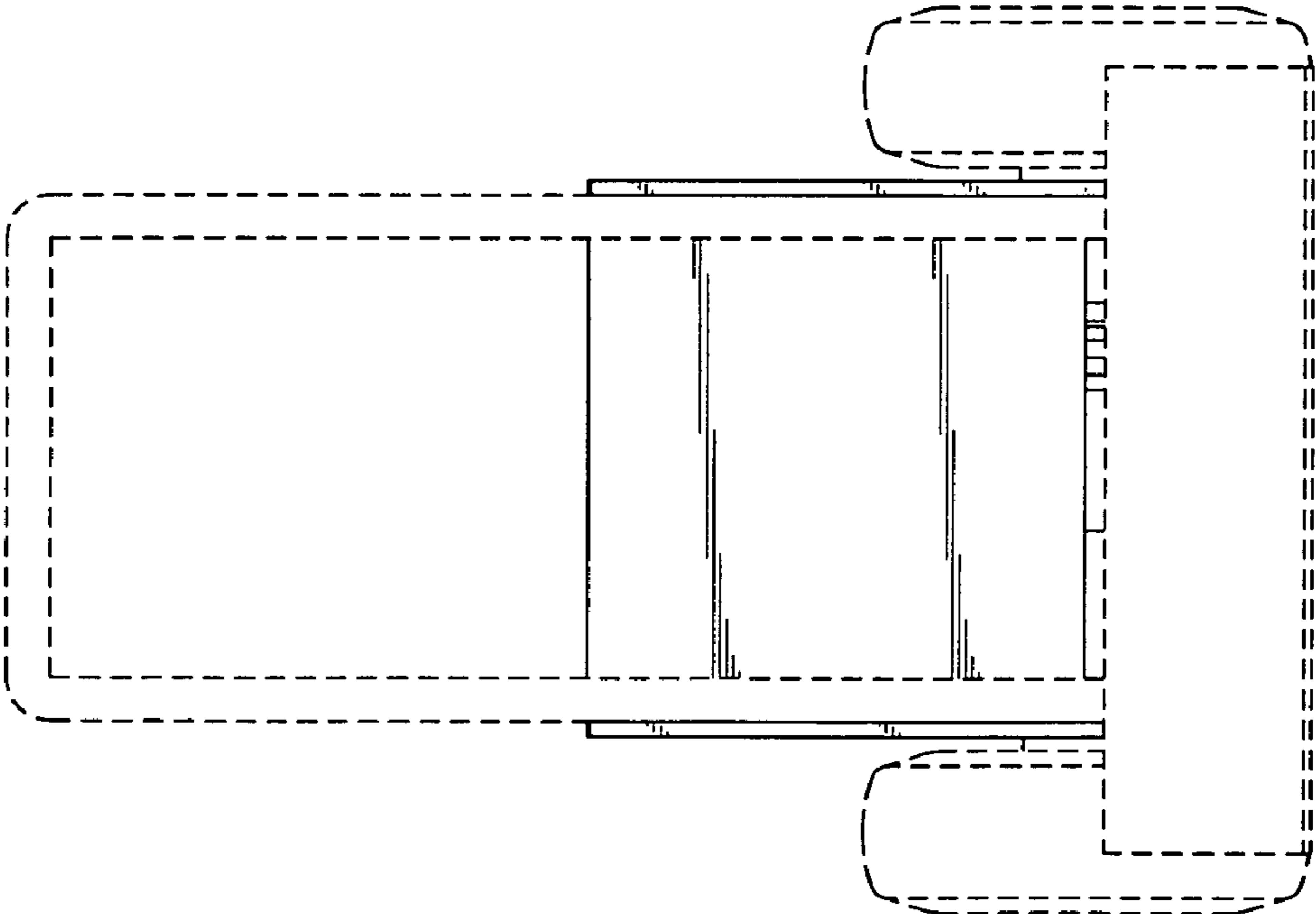


FIG. 3

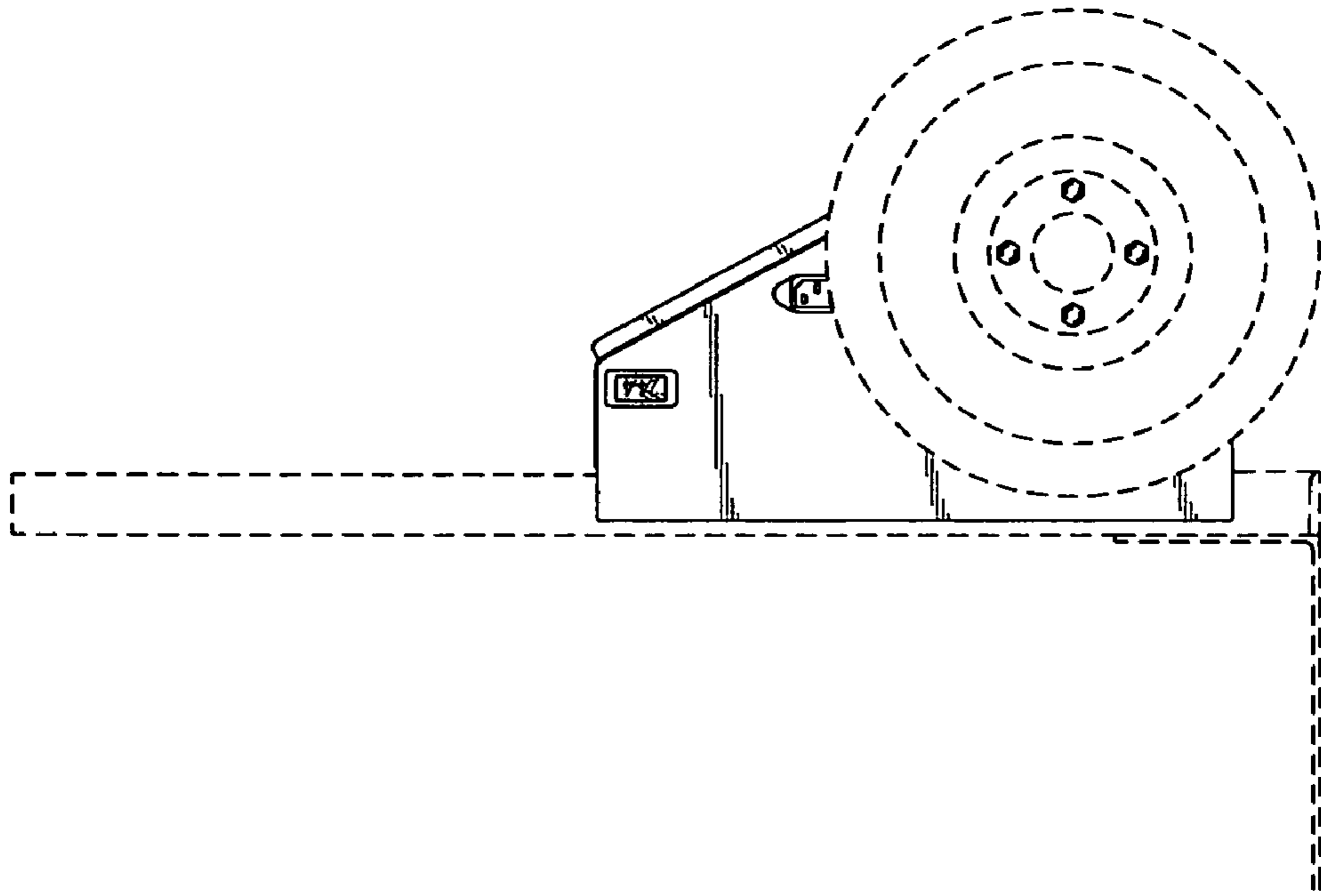


FIG. 4

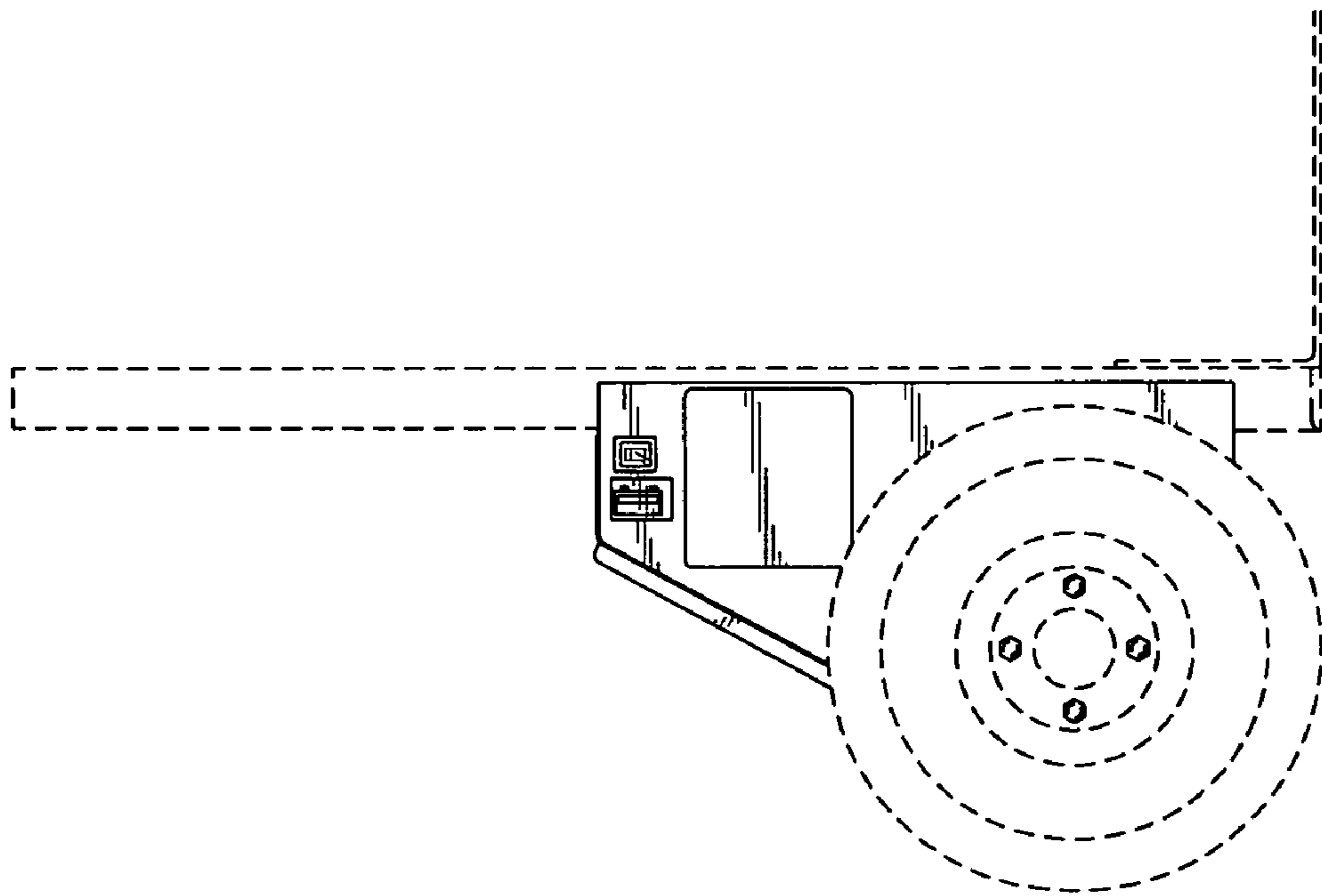


FIG. 5

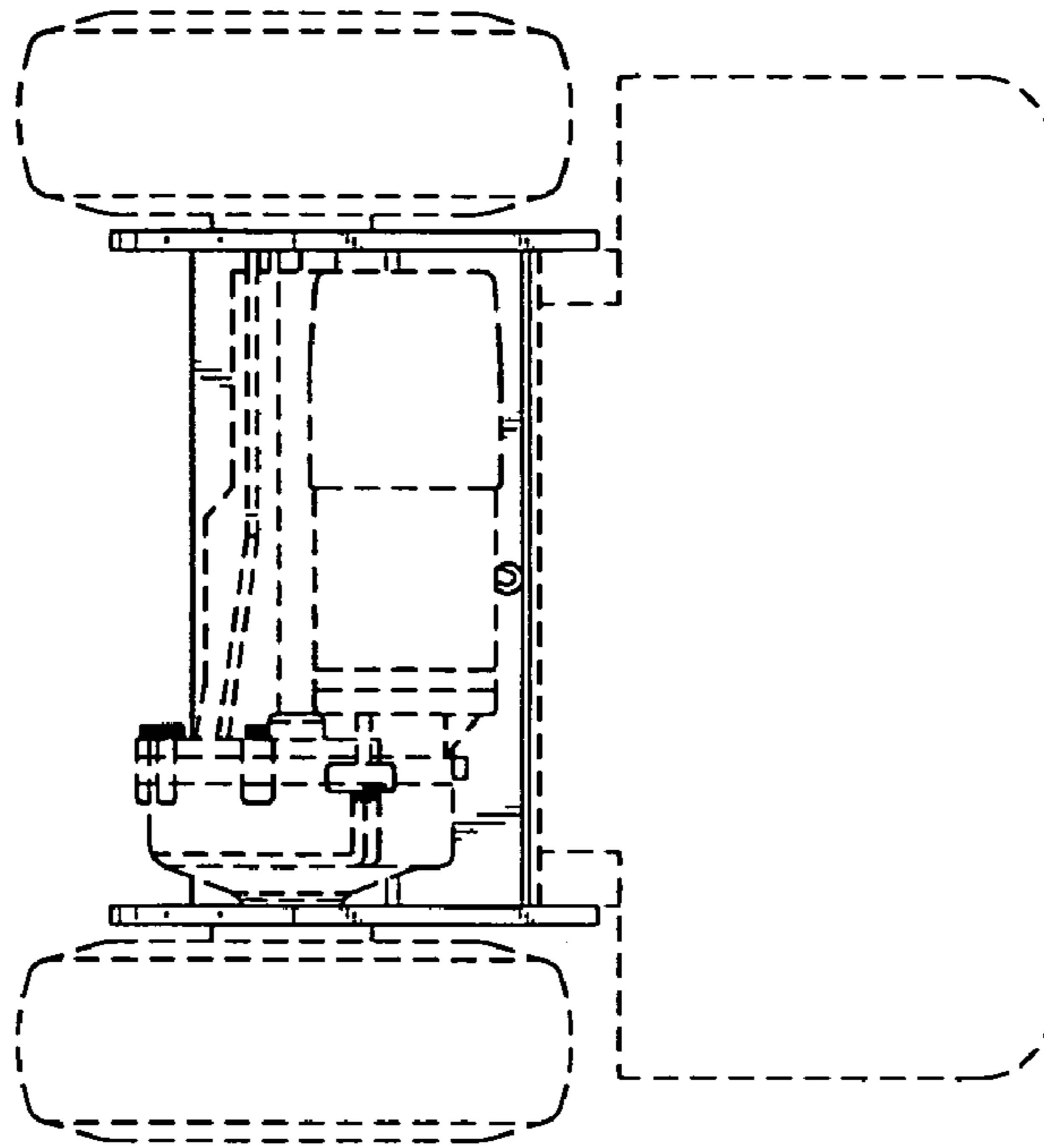


Fig. 8

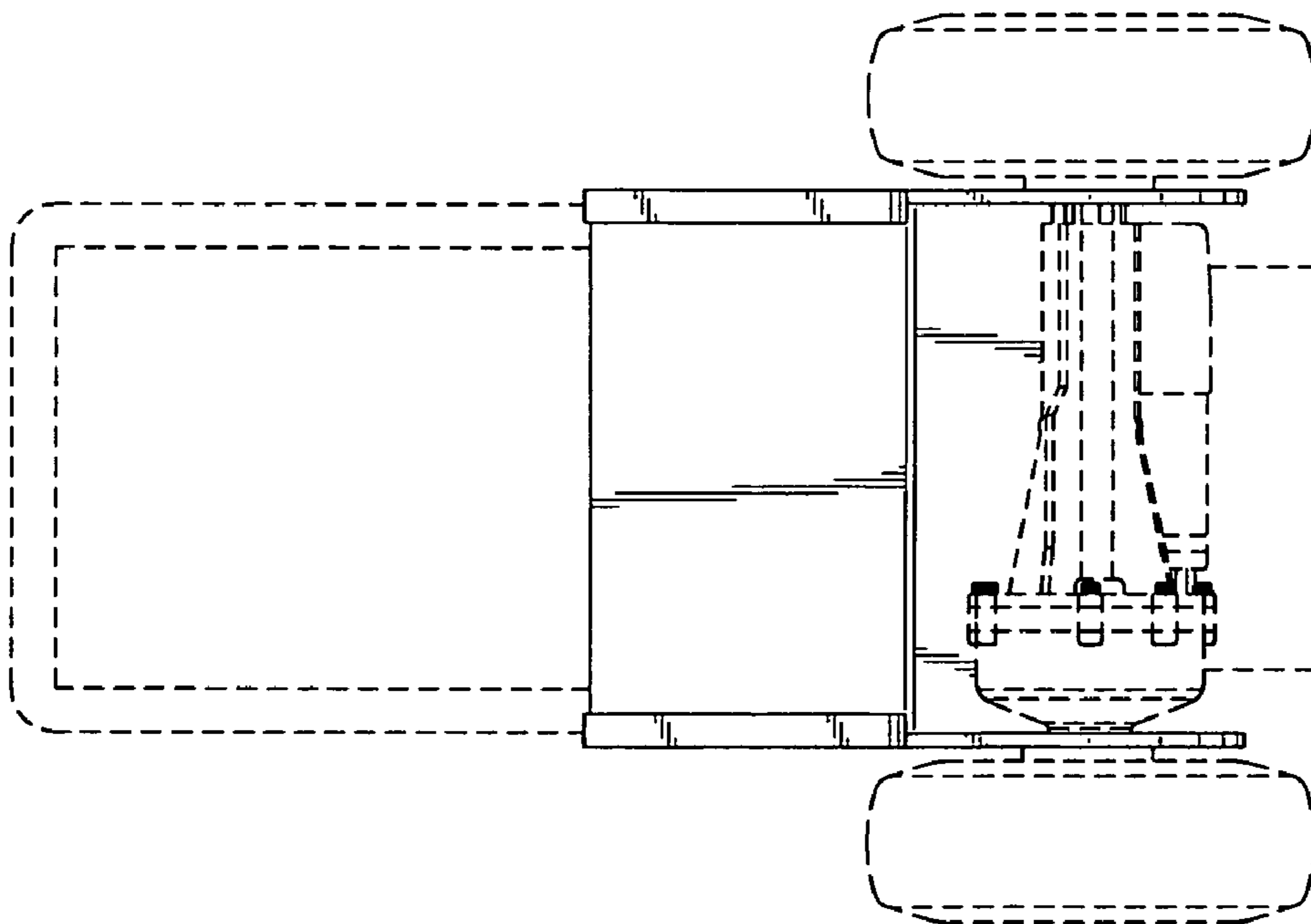


Fig. 7