



US00D546521S

(12) **United States Design Patent**
Mutert

(10) **Patent No.:** **US D546,521 S**

(45) **Date of Patent:** **** Jul. 10, 2007**

(54) **BAG RETAINER**

(75) Inventor: **George Mutert**, Belvedere, IL (US)

(73) Assignee: **Resourceful Bag & Tag, Inc.**, Palos Heights, IL (US)

(**) Term: **14 Years**

(21) Appl. No.: **29/202,200**

(22) Filed: **Mar. 26, 2004**

(51) **LOC (8) Cl.** **09-09**

(52) **U.S. Cl.** **D34/5**

(58) **Field of Classification Search** D34/1,
D34/5, 6; 248/95, 97, 99, 100, 107, 175,
248/218.1; D15/14, 18; D8/370

See application file for complete search history.

(56) **References Cited**

U.S. PATENT DOCUMENTS

63,383 A	4/1867	Hanks	
100,123 A	2/1870	Crofoot	
102,616 A	5/1870	Sweigert	
241,765 A *	5/1881	Wever	220/9.3
447,686 A	3/1891	Holladay	
653,035 A	7/1900	Noble	
978,441 A *	12/1910	Fairman et al.	248/99
1,022,862 A	4/1912	McMillen	
1,653,393 A *	12/1927	Cox	141/390
2,261,511 A *	11/1941	Baker et al.	248/95
2,470,977 A	5/1949	Chidsey	248/97
3,502,291 A	3/1970	Ackerman et al.	248/97
3,659,816 A	5/1972	Wilson	248/97
D246,565 S *	12/1977	Roark	D34/6
4,467,989 A *	8/1984	Stroh	248/97
4,613,104 A	9/1986	Garrott	248/97
4,723,741 A	2/1988	Doering	248/97
4,802,647 A *	2/1989	Celmayster et al.	248/544
4,893,769 A *	1/1990	Rotelli	248/97
4,953,815 A	9/1990	Beymer	248/97
5,014,944 A *	5/1991	Malik et al.	248/99
D319,124 S *	8/1991	Harjung	D34/5

5,169,101 A *	12/1992	Wenzel et al.	248/97
5,213,291 A *	5/1993	Wiebe	248/97
5,360,189 A	11/1994	Hart	248/97
5,411,229 A	5/1995	Hoefkes	248/97
5,427,340 A *	6/1995	Stromsmoe et al.	248/97
D362,324 S *	9/1995	Lorenzana	D32/66
5,570,862 A	11/1996	Nugent	248/97
D398,121 S *	9/1998	Siu	D34/6
5,799,908 A	9/1998	Downs	248/97
6,076,782 A	6/2000	Alderman	248/97
6,116,549 A	9/2000	Santa Cruz	248/97
6,267,334 B1 *	7/2001	Siu	248/97
6,334,593 B2	1/2002	Inoue	248/95
6,491,264 B1	12/2002	Valesquez	248/97
D468,138 S	1/2003	Briggs	D6/496
D468,563 S	1/2003	Briggs	D6/496
6,511,026 B2	1/2003	Hatfield	248/97
D471,082 S	3/2003	Scola	D8/373
2002/0104932 A1	8/2002	Johnston	248/97
2005/0077438 A1 *	4/2005	Mutert	248/99

* cited by examiner

Primary Examiner—Cynthia E. Ramirez

(74) *Attorney, Agent, or Firm*—Howard & Howard Attorneys, P.C.

(57) **CLAIM**

I claim the ornamental design for a bag retainer, as shown and described.

DESCRIPTION

FIG. 1 is a perspective view of the bag retainer showing my new design;

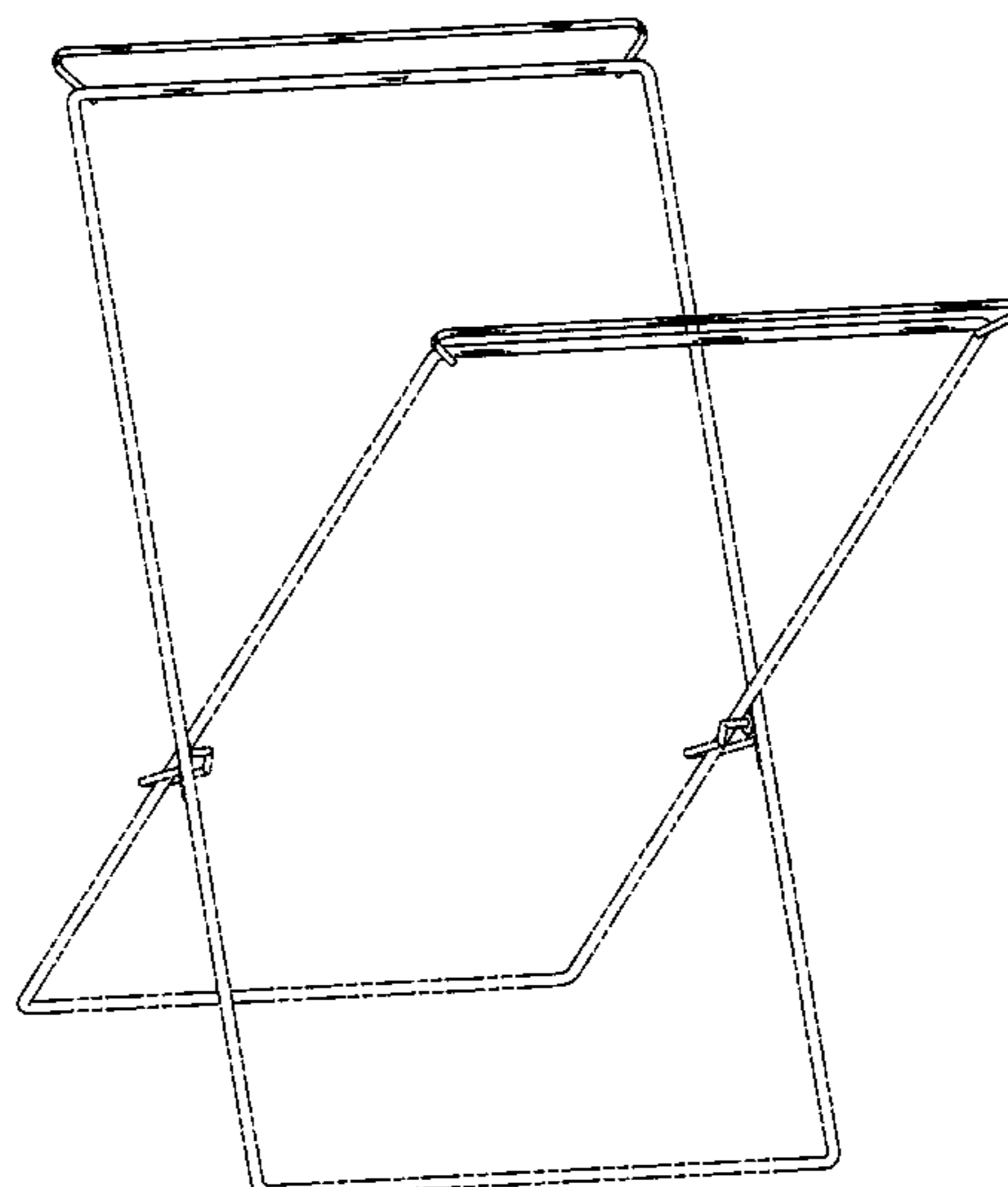
FIG. 2 is a right side view thereof;

FIG. 3 is a front view thereof; and,

FIG. 4 is a top view thereof.

Broken lines displayed in FIGS. 1–4 are for illustrative purposes only and form no part of the claimed design or a specified embodiment thereof.

1 Claim, 4 Drawing Sheets



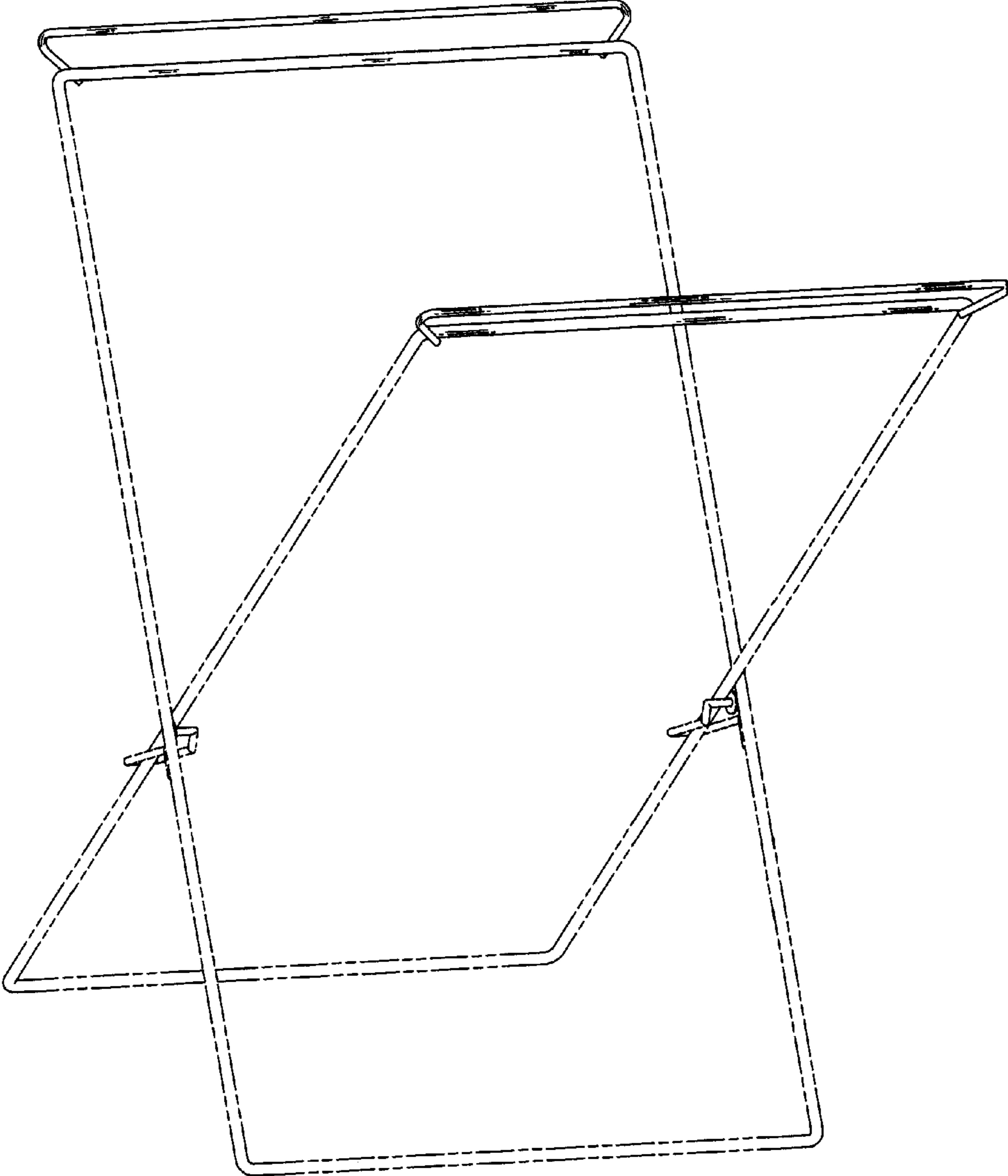


Fig. 1

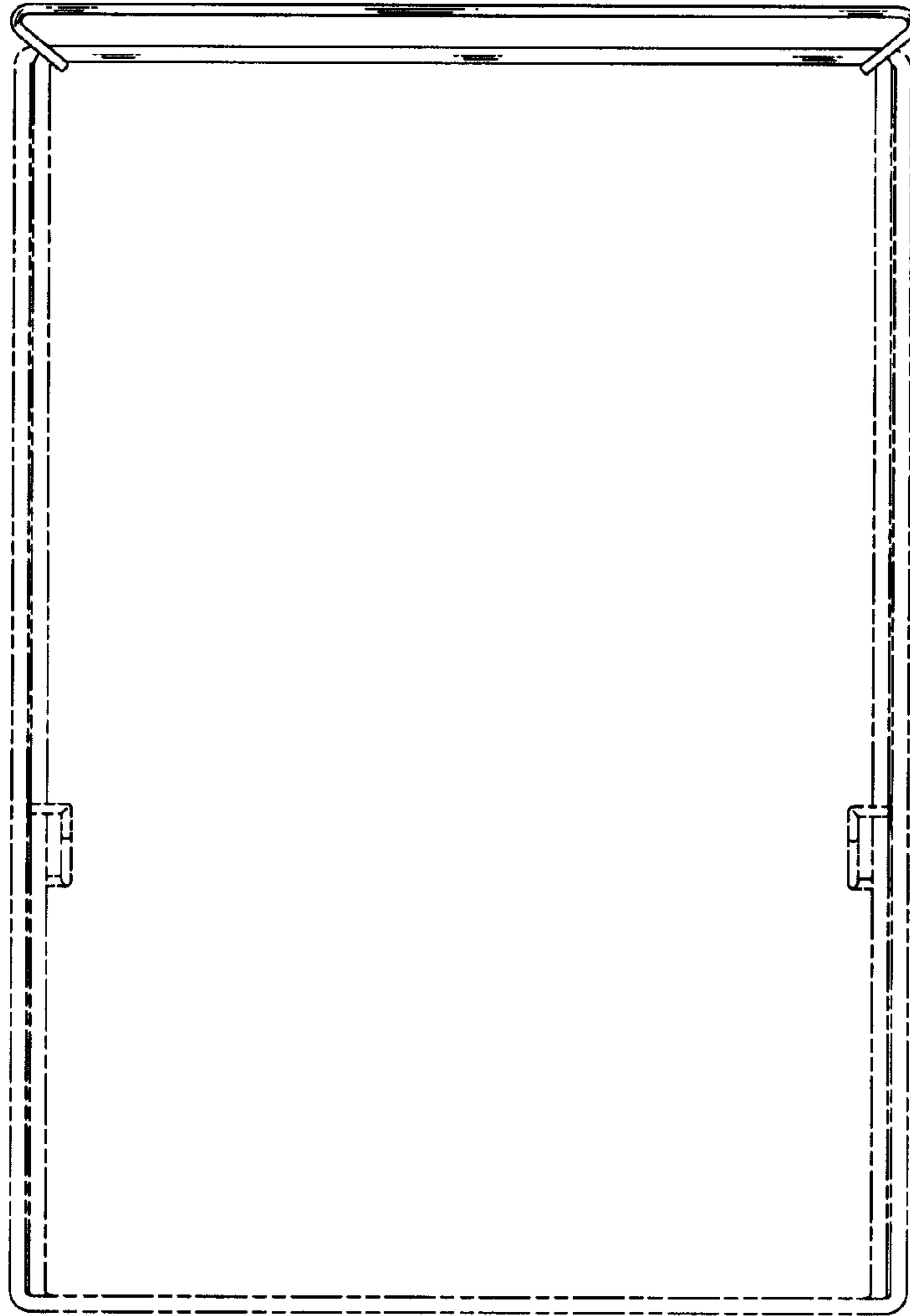


Fig. 2

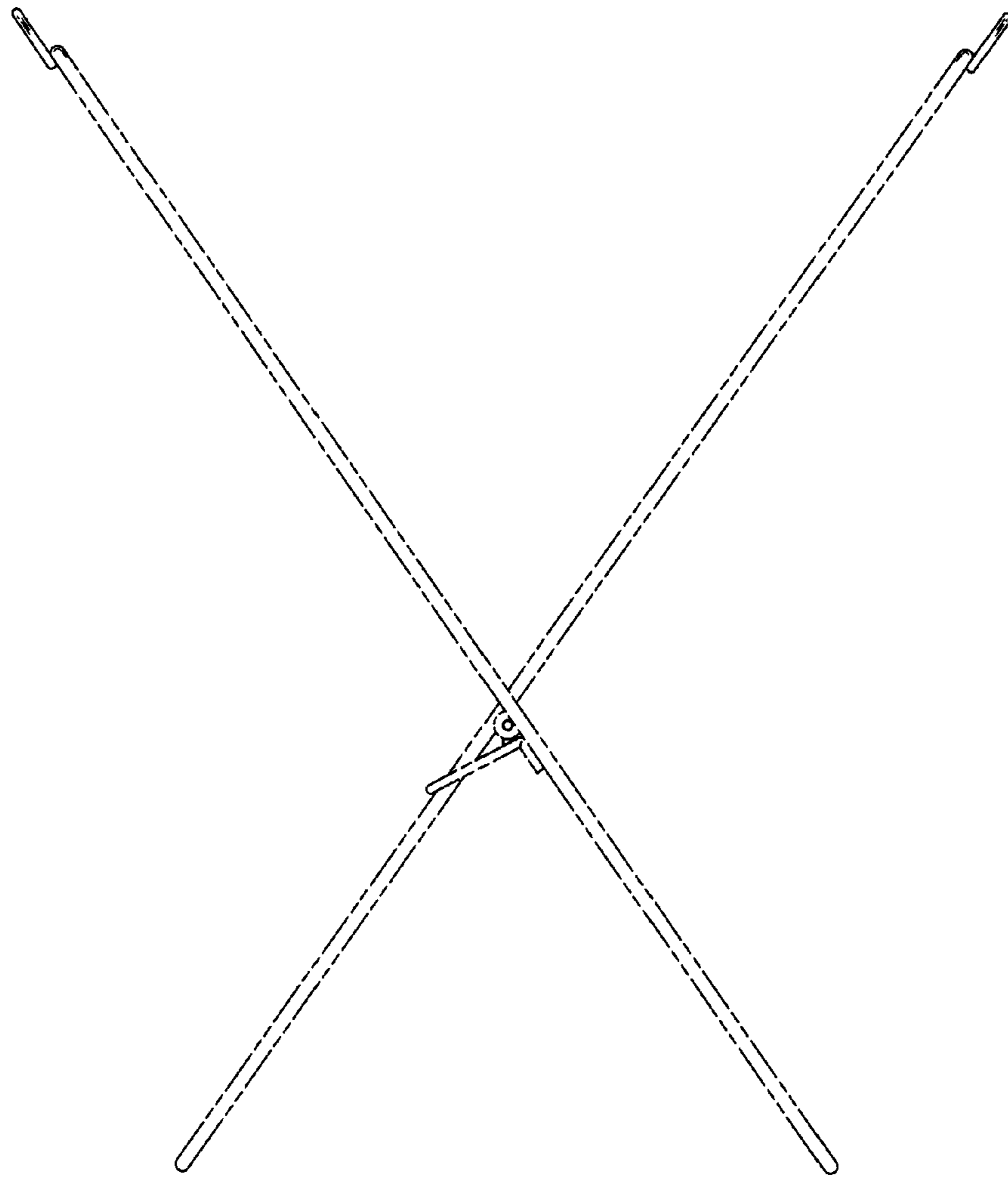


Fig. 3

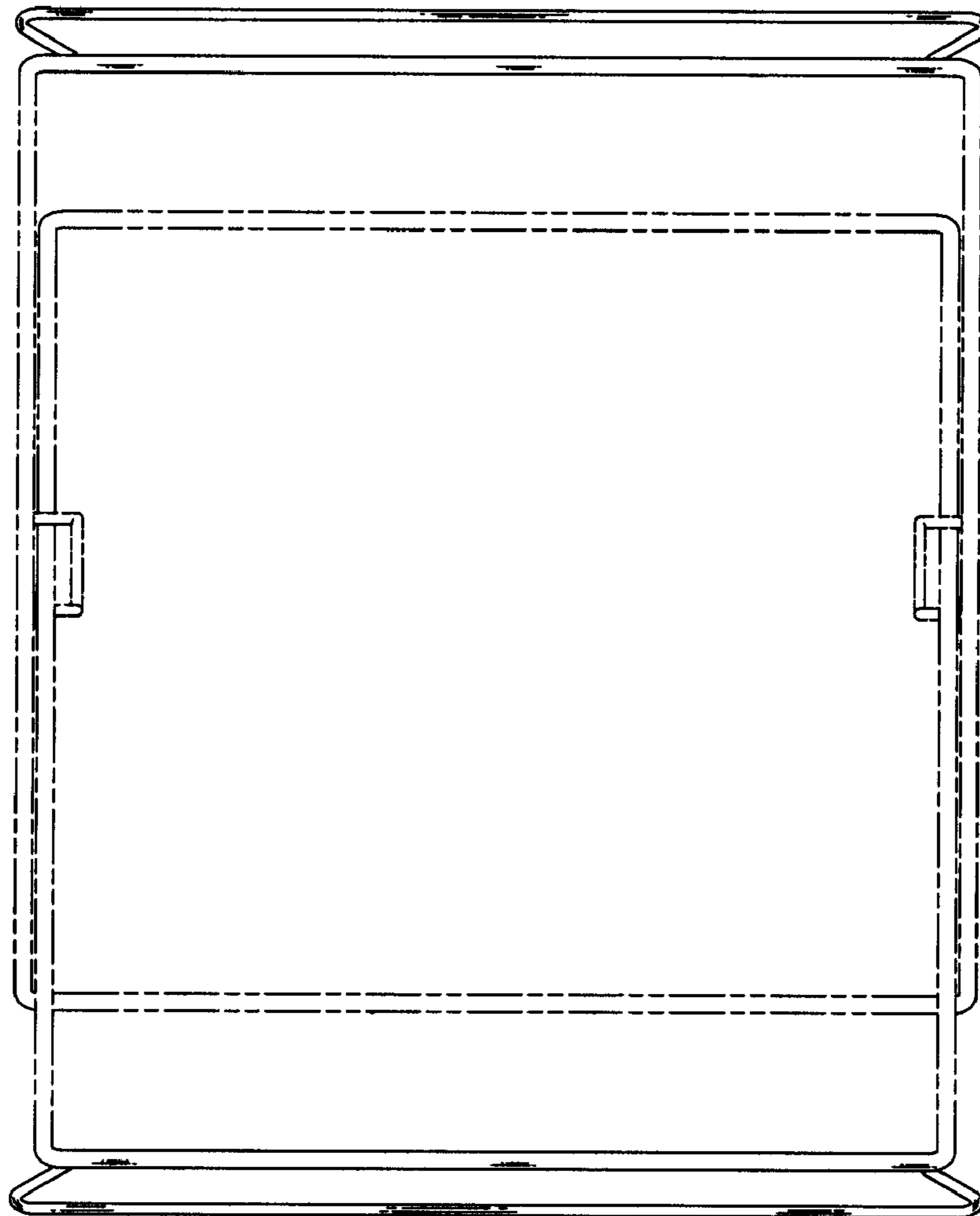


Fig. 4