



US00D546519S

(12) **United States Design Patent**
McCollam

(10) **Patent No.:** **US D546,519 S**

(45) **Date of Patent:** **** Jul. 10, 2007**

(54) **LICENSE PLATE DUSTPAN**

(57) **CLAIM**

(76) **Inventor:** **Lyle McCollam**, 17600 W. Doolin Ave.,
Blackwell, OK (US) 74631

The ornamental design for a license plate dustpan, as shown
and described.

(**) **Term:** **14 Years**

DESCRIPTION

(21) **Appl. No.:** **29/234,394**

(22) **Filed:** **Jul. 18, 2005**

(51) **LOC (8) Cl.** **07-05**

(52) **U.S. Cl.** **D32/74**

(58) **Field of Classification Search** D32/74;
D8/10; D30/162; 15/257.1-257.9; 294/55-56,
294/1.3

See application file for complete search history.

FIG. 1 is a perspective view of the license plate dustpan of
the present invention.

FIG. 2 is front view of the license plate dustpan of the
present invention.

FIG. 3 is a back view of the license plate dustpan of the
present invention.

FIG. 4 is a right side view of the license plate dustpan of the
present invention.

FIG. 5 is a left side view of the license plate dustpan of the
present invention.

FIG. 6 is a top view of the license plate dustpan of the
present invention; and,

FIG. 7 is a bottom view of the license plate dustpan of the
present invention.

The broken lines shown in the drawings are for illustrative
purposes only and form no part of the claimed design.

(56) **References Cited**

U.S. PATENT DOCUMENTS

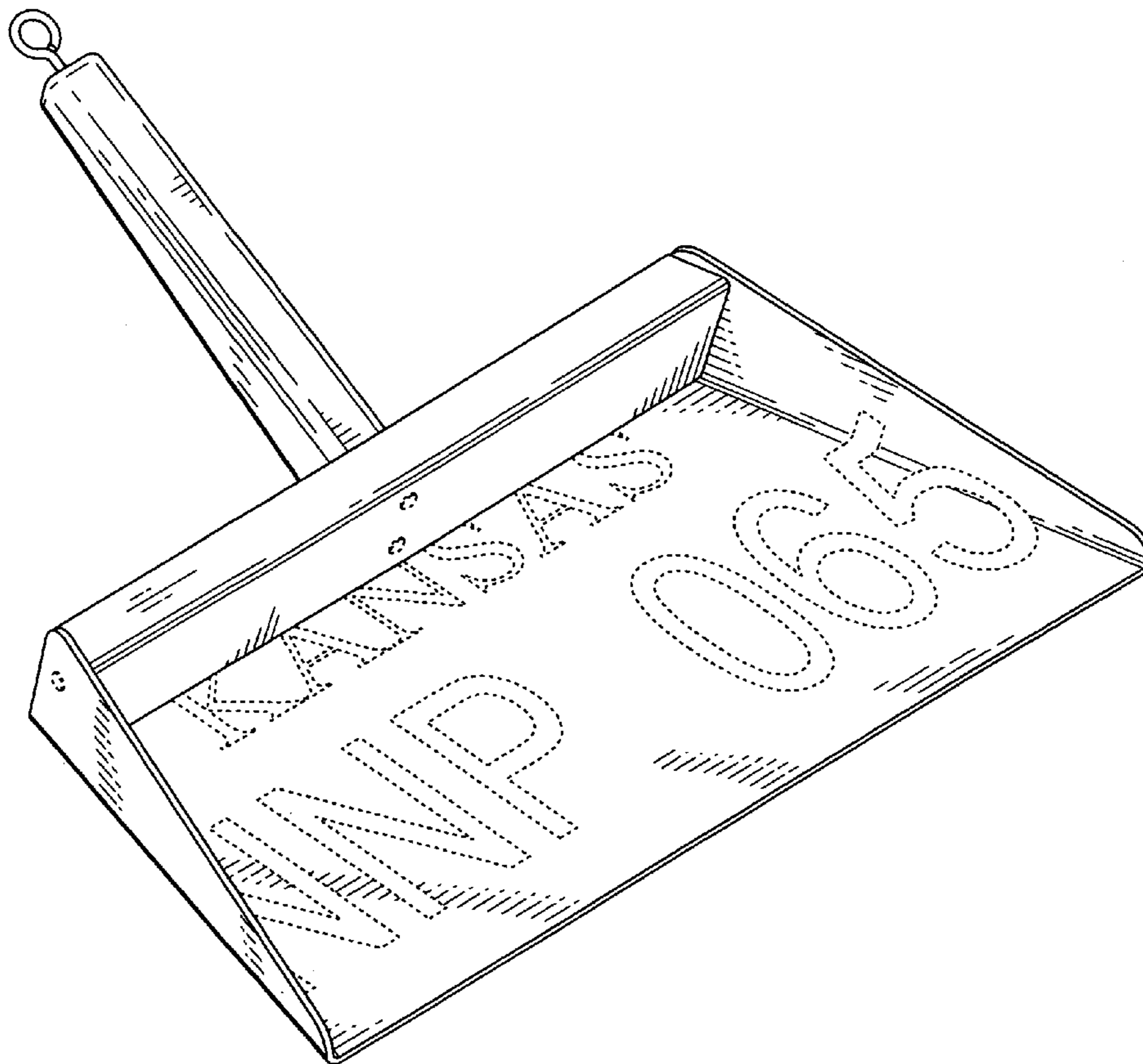
D54,891 S *	4/1920	Brule	D32/74
2,987,749 A *	6/1961	Gortner	15/257.7
D339,437 S *	9/1993	Hinderer	D32/74
D422,389 S *	4/2000	Gay	D32/74

* cited by examiner

Primary Examiner—Pamela J. Burgess

(74) *Attorney, Agent, or Firm*—Gable Gotwals

1 Claim, 4 Drawing Sheets



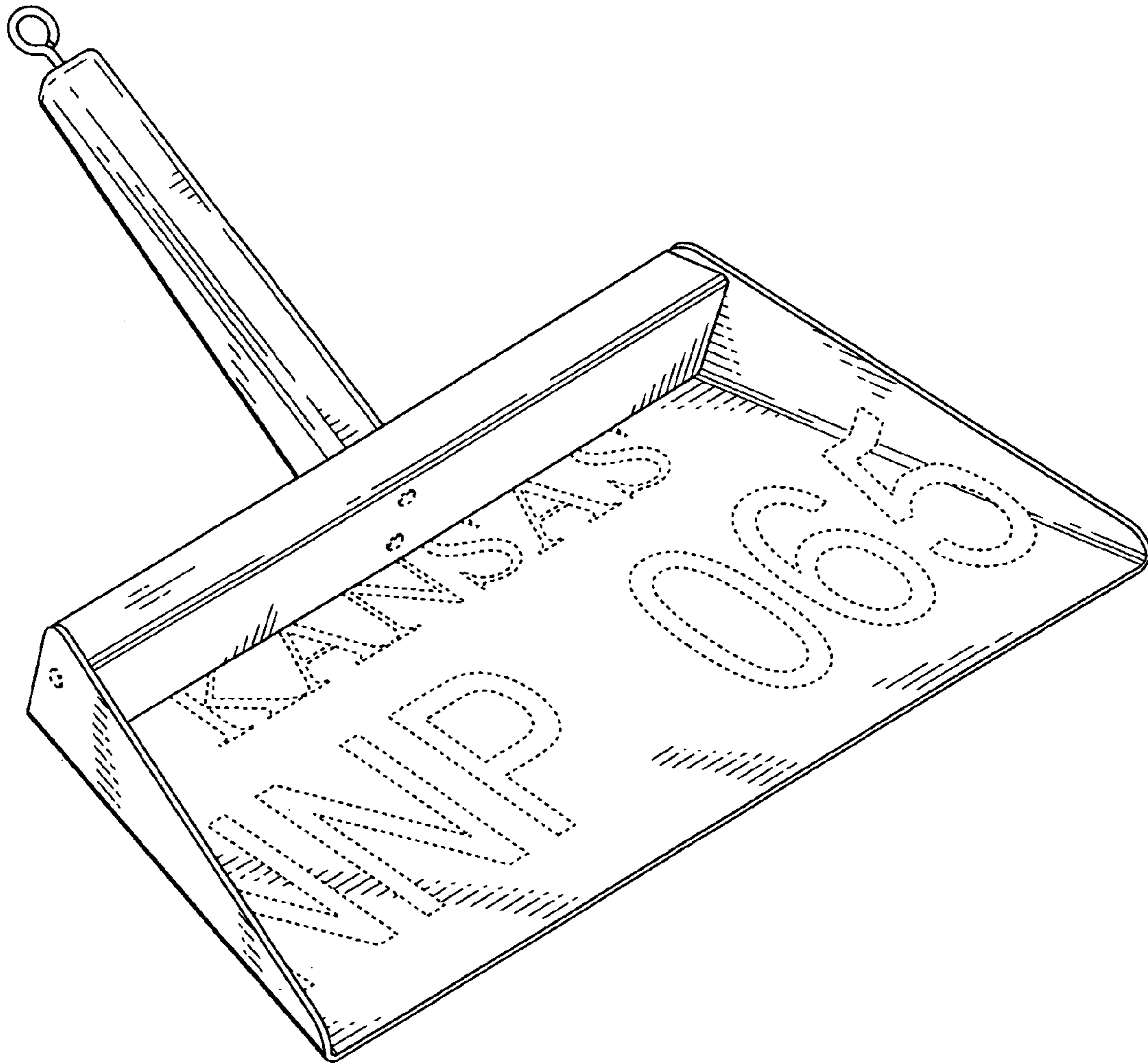


FIG. 1

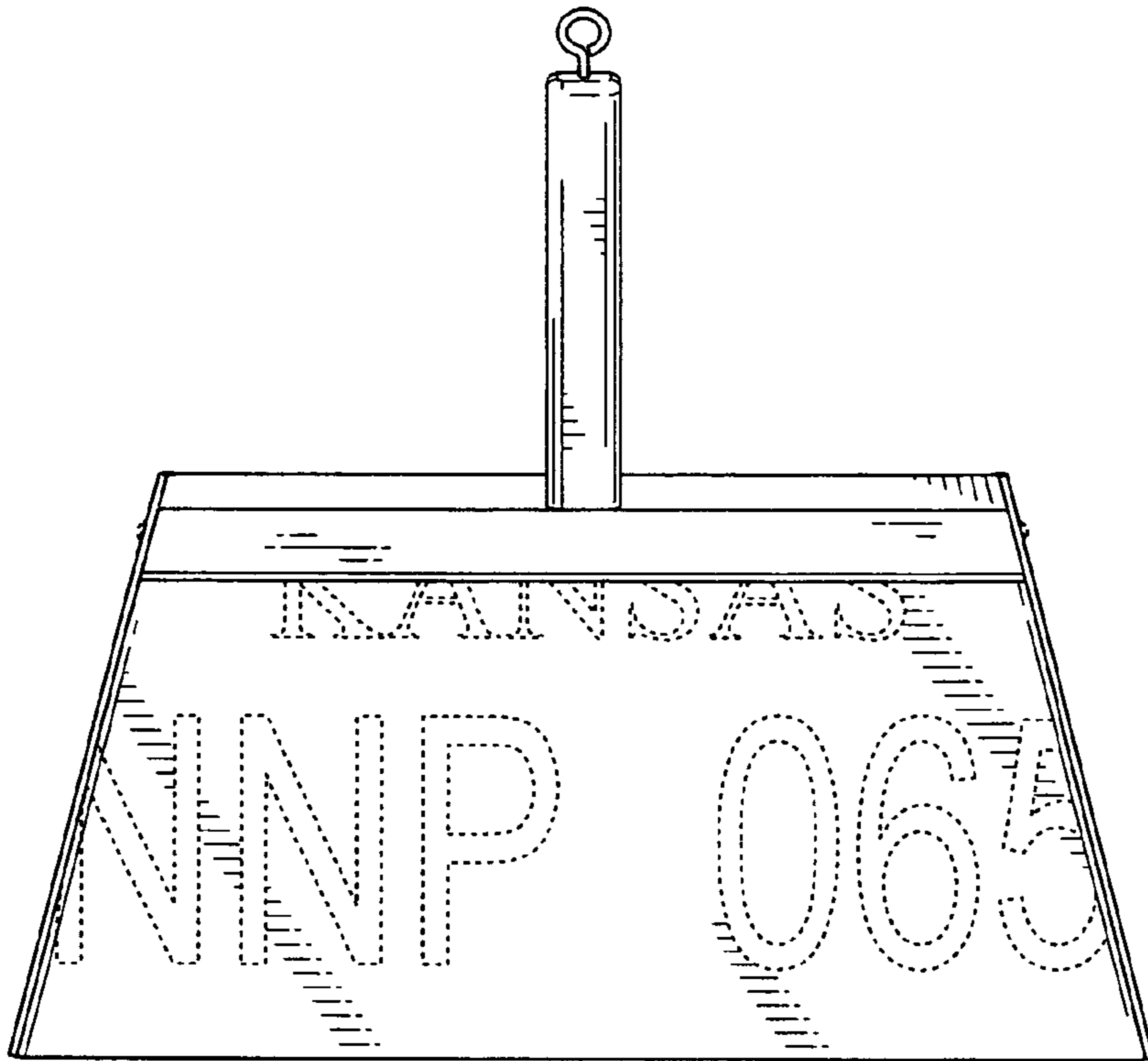


FIG. 2

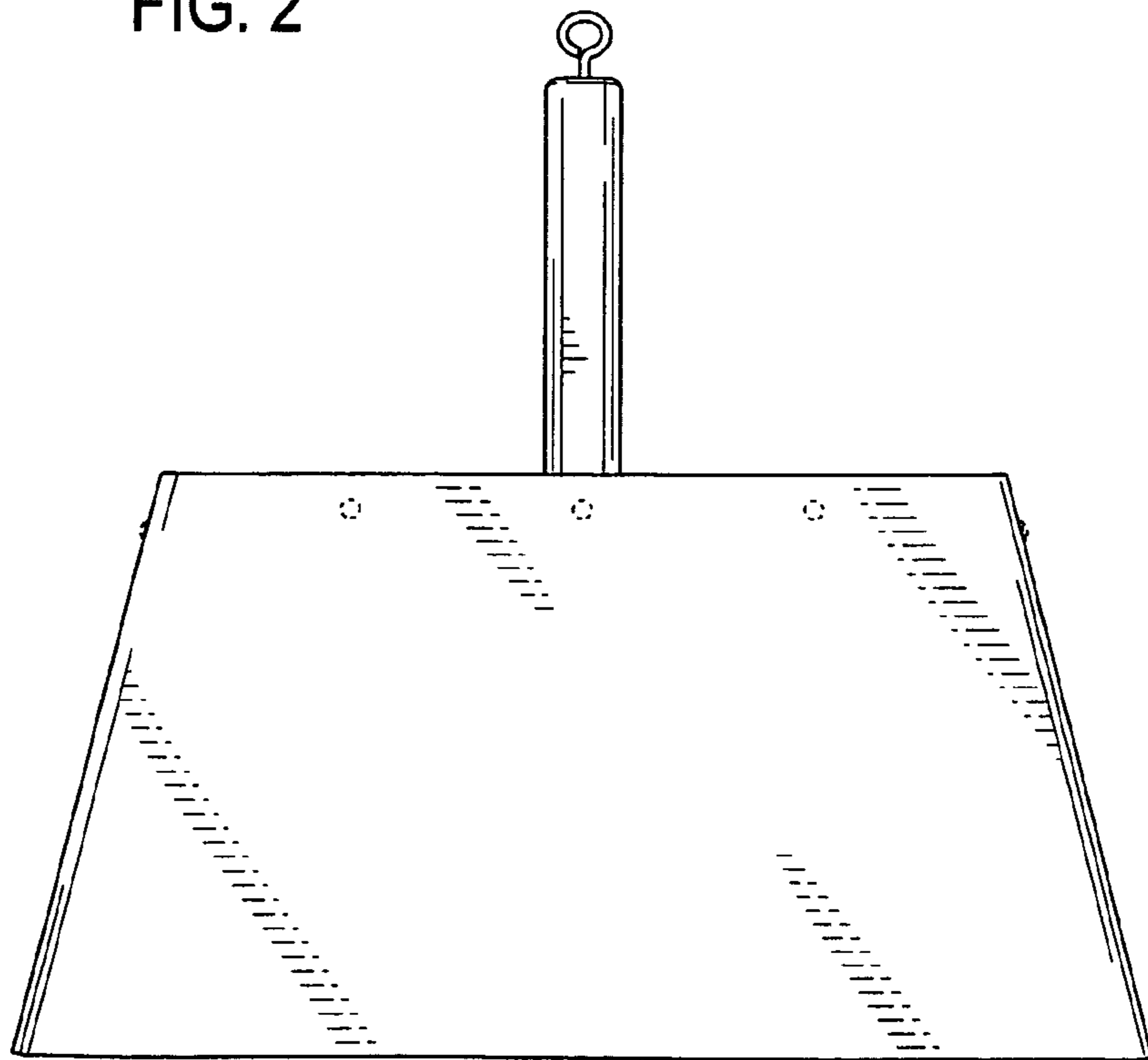


FIG. 3

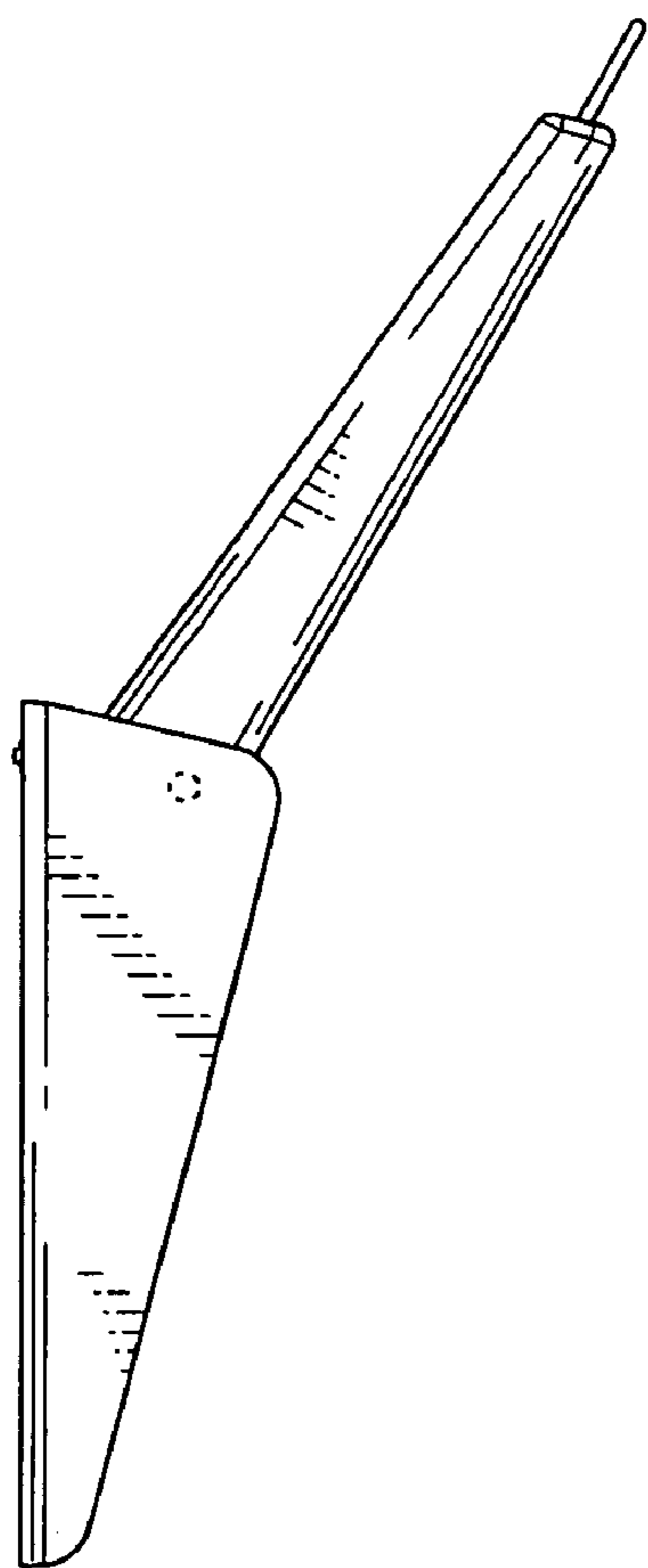


FIG. 4

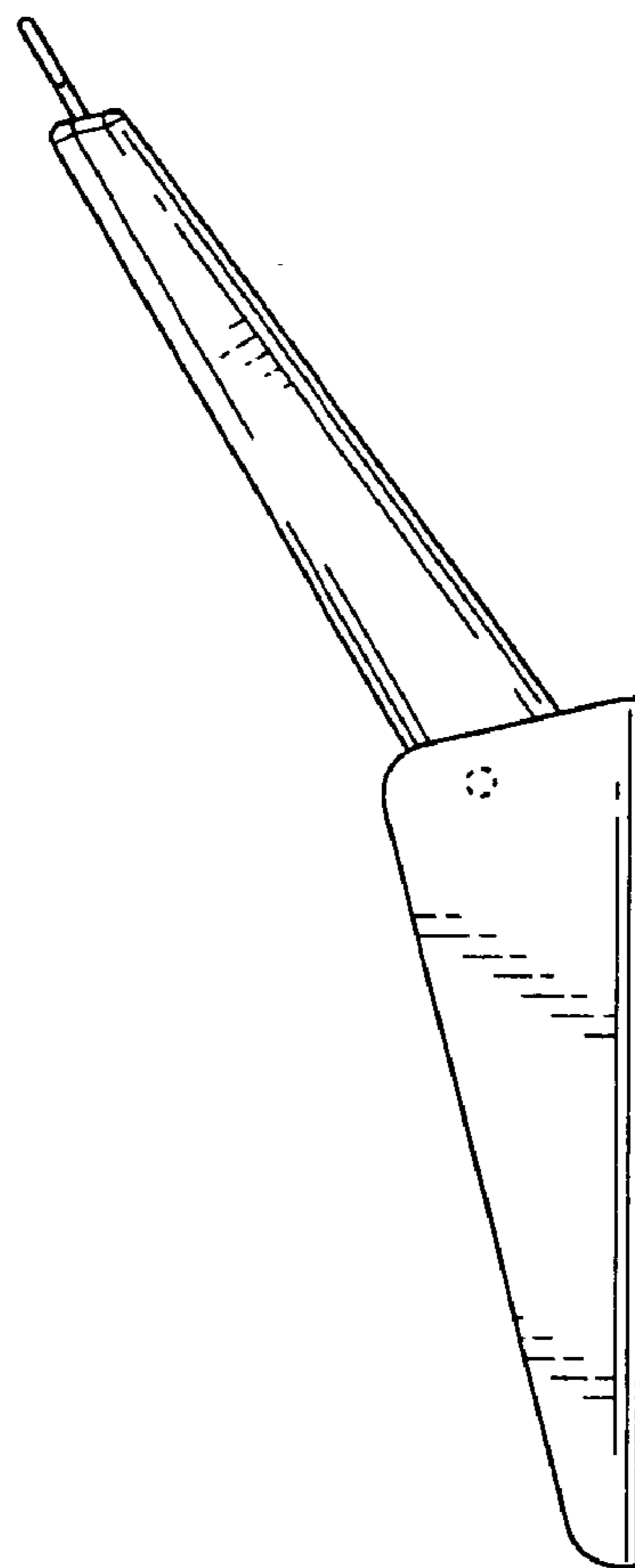


FIG. 5

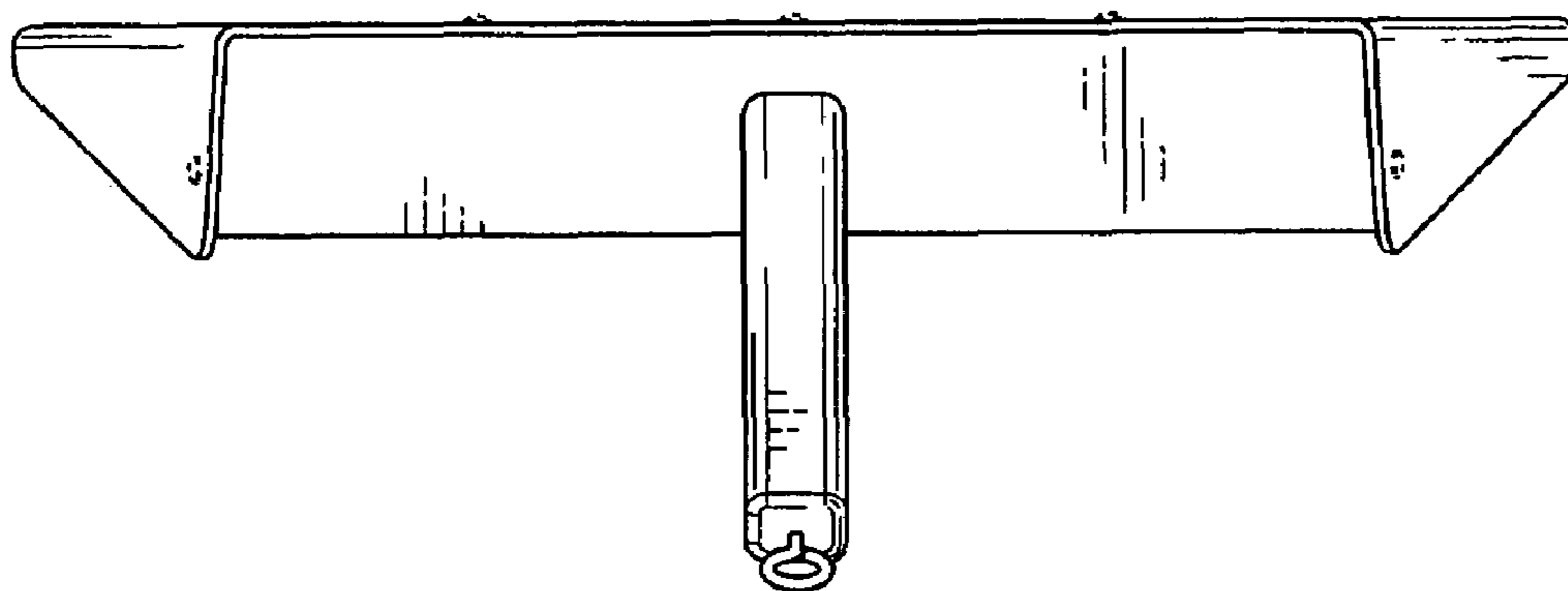


FIG. 6

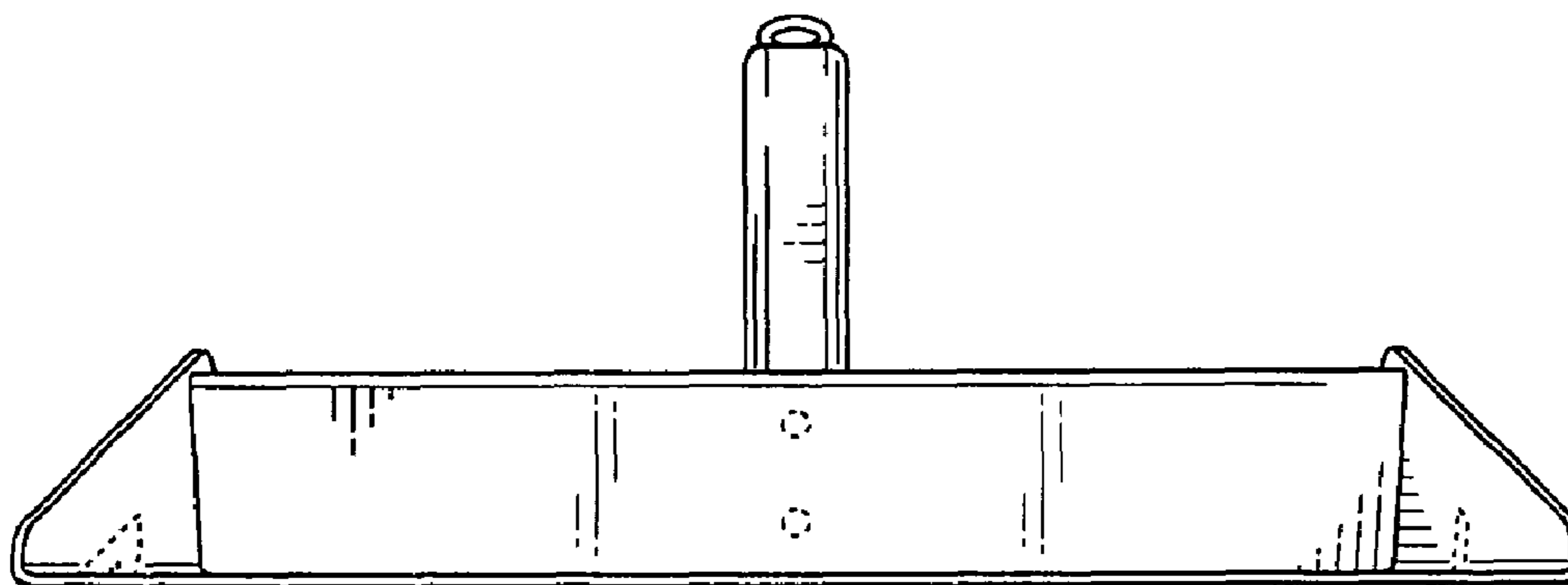


FIG. 7