

US00D546516S

(12) **United States Design Patent**
Henderson

(10) **Patent No.:** **US D546,516 S**

(45) **Date of Patent:** **** Jul. 10, 2007**

(54) **IRONING BOARD**

(75) Inventor: **Scott Henderson**, Brooklyn, NY (US)

(73) Assignee: **Polder, Inc.**, Port Chester, NY (US)

(**) Term: **14 Years**

(21) Appl. No.: **29/262,636**

(22) Filed: **Jul. 7, 2006**

(51) **LOC (8) Cl.** **07-05**

(52) **U.S. Cl.** **D32/66**

(58) **Field of Classification Search** D32/66;
38/103-104, 106-111, 137-139, DIG. 1,
38/DIG. 2

See application file for complete search history.

(56) **References Cited**

U.S. PATENT DOCUMENTS

100,430	A *	3/1870	Mallory	108/119
914,956	A *	3/1909	Kenan	38/103
1,490,435	A	4/1924	Sackett		
2,249,110	A	7/1941	Browning		
D159,952	S *	9/1950	Buser	D32/66
D183,468	S *	9/1958	Turner	D32/66
5,924,226	A *	7/1999	Zuber	38/137
6,243,257	B1	6/2001	Ester		

6,343,427 B1 2/2002 Theiss et al.
6,883,257 B2 4/2005 Couch et al.
2003/0216818 A1 11/2003 Damrath et al.

* cited by examiner

Primary Examiner—Pamela J. Burgess

(74) *Attorney, Agent, or Firm*—Duane Morris, LLP

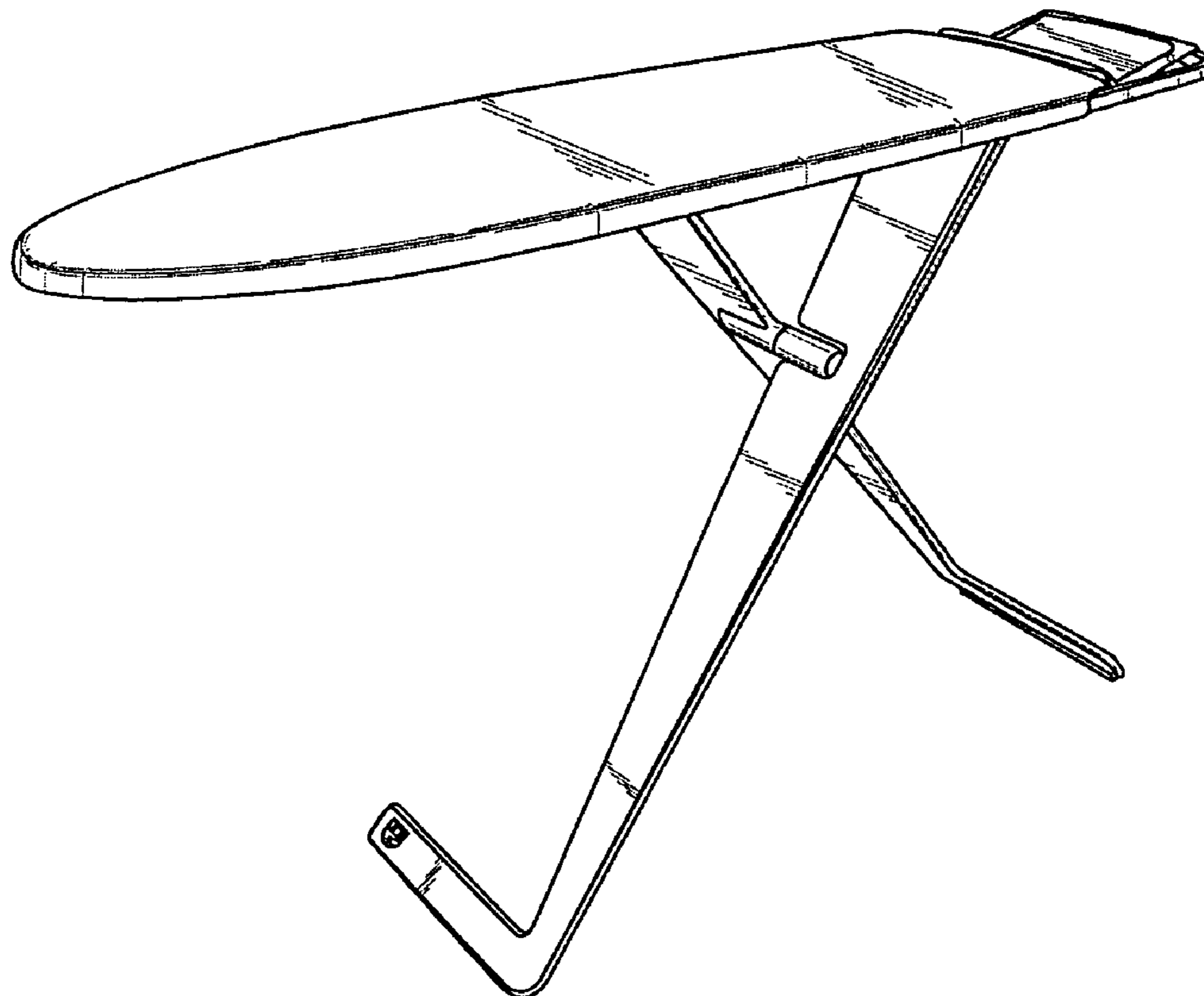
(57) **CLAIM**

The ornamental design for an ironing board, substantially as shown and described.

DESCRIPTION

FIG. 1 is a perspective view of my new design;
FIG. 2 is a front elevation view of the design of FIG. 1;
FIG. 3 is a rear elevation view of the design of FIG. 1;
FIG. 4 is a right side elevation view of the design of FIG. 1;
FIG. 5 is a top view of the design of FIG. 1;
FIG. 6 is a bottom view of the design of FIG. 1
FIG. 7 is a top view of the design of FIG. 1 in the folded condition; and,
FIG. 8 is a bottom view of the design of FIG. 1 in the folded condition.

1 Claim, 5 Drawing Sheets



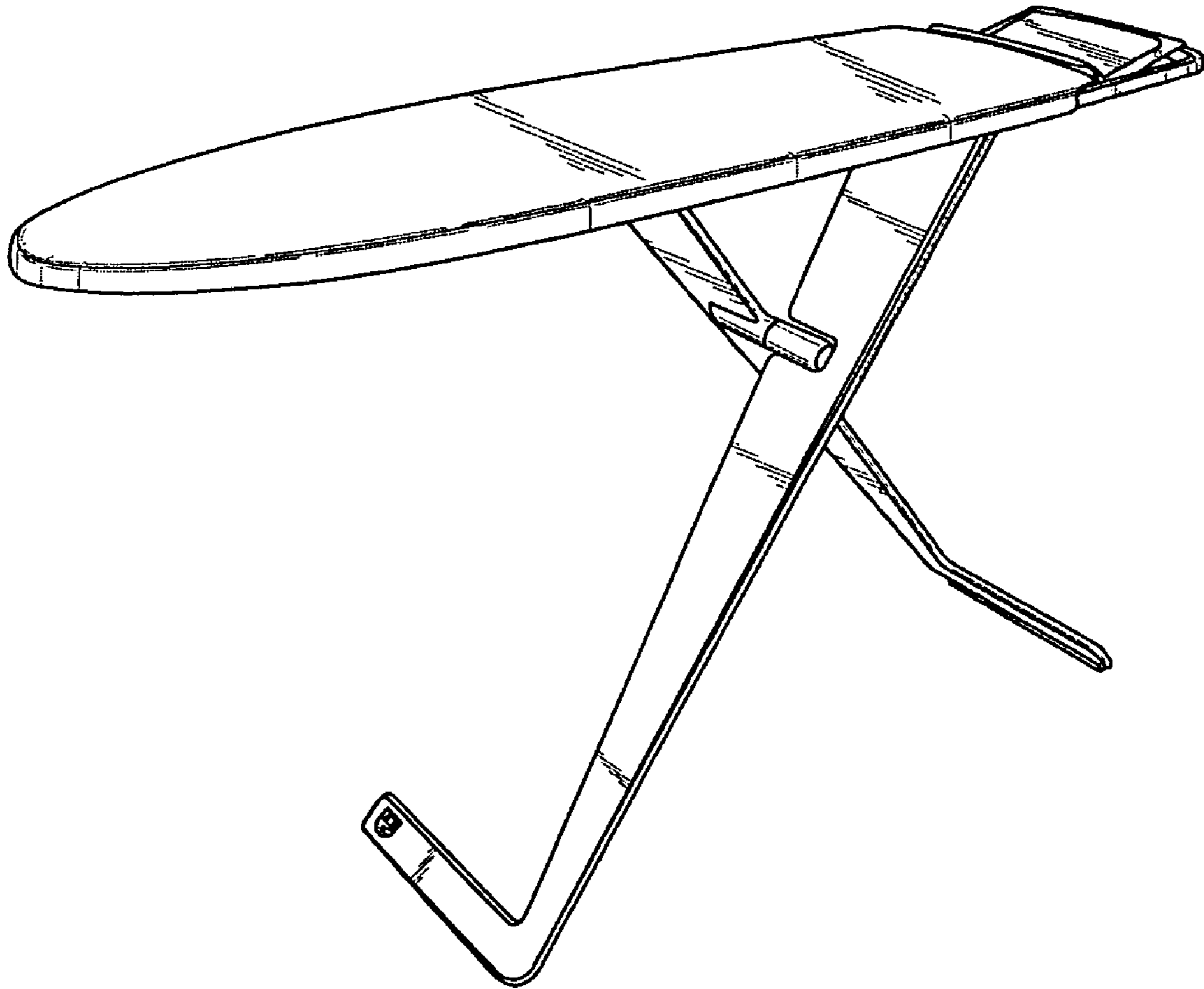


Fig. 1

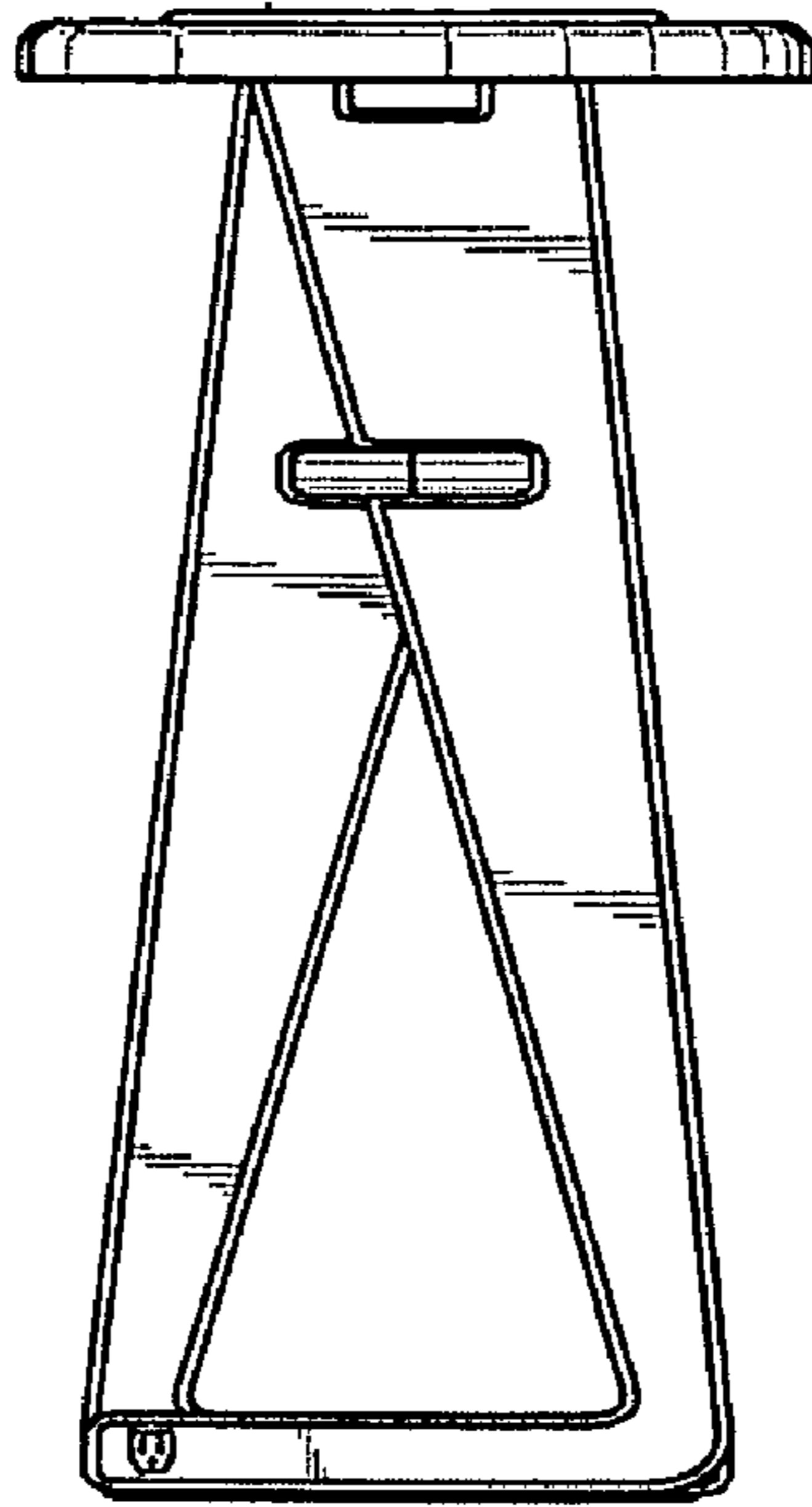


Fig. 2

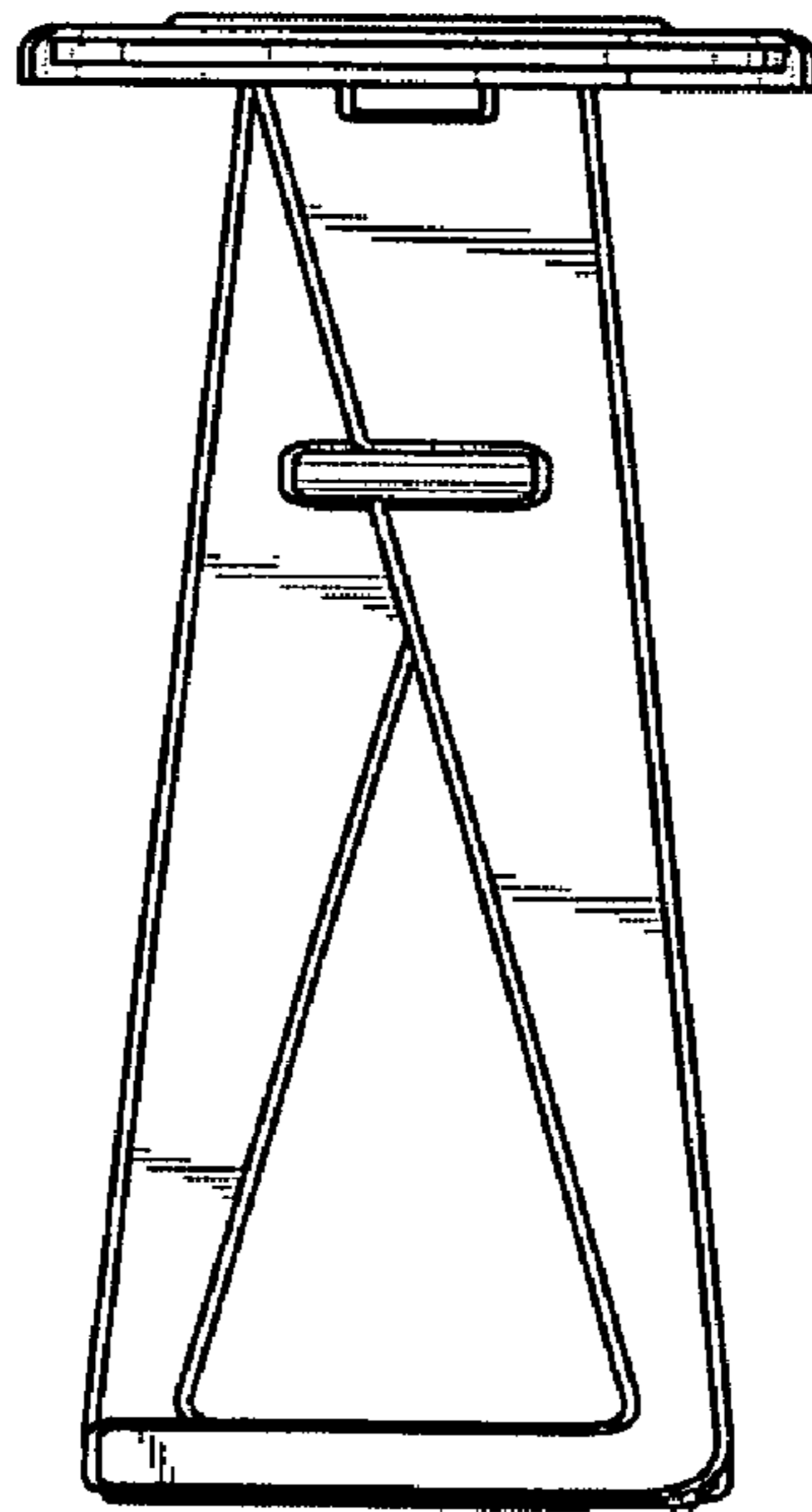


Fig. 3

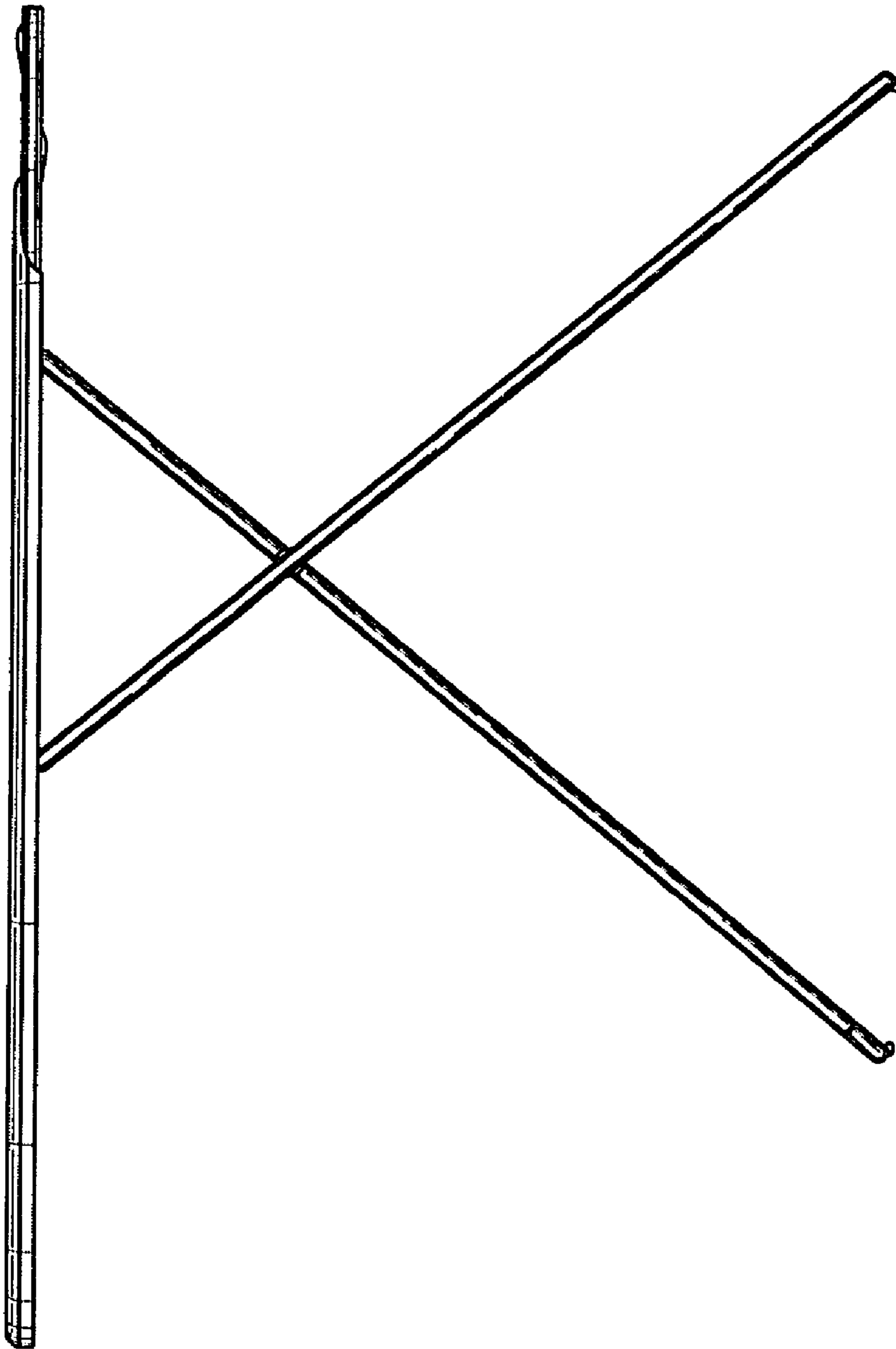


Fig. 4

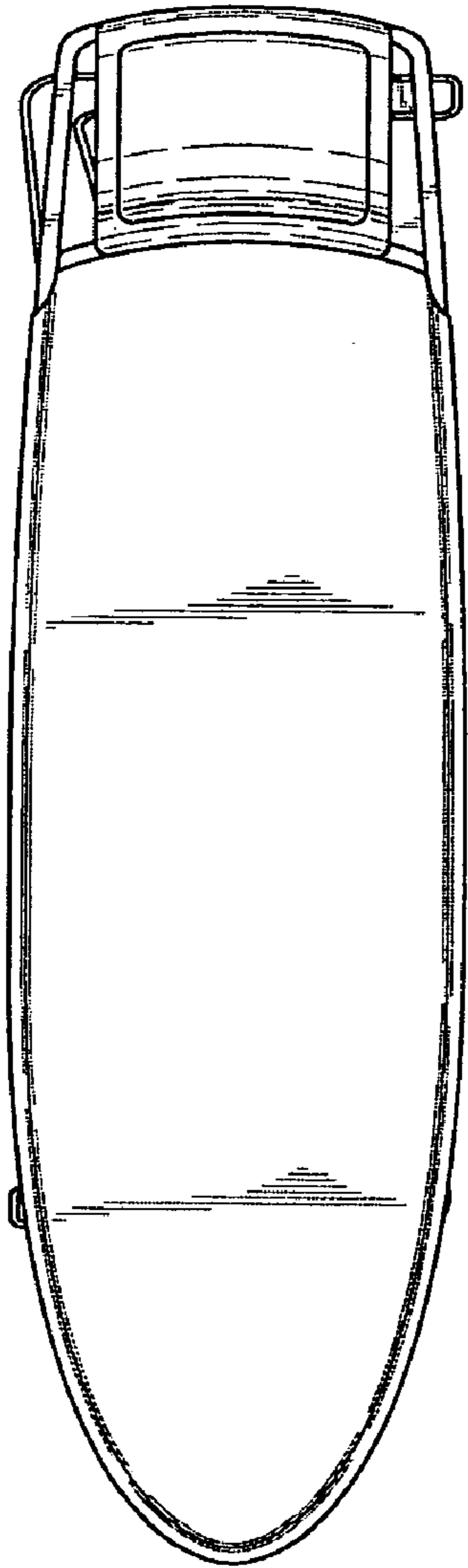


Fig. 5

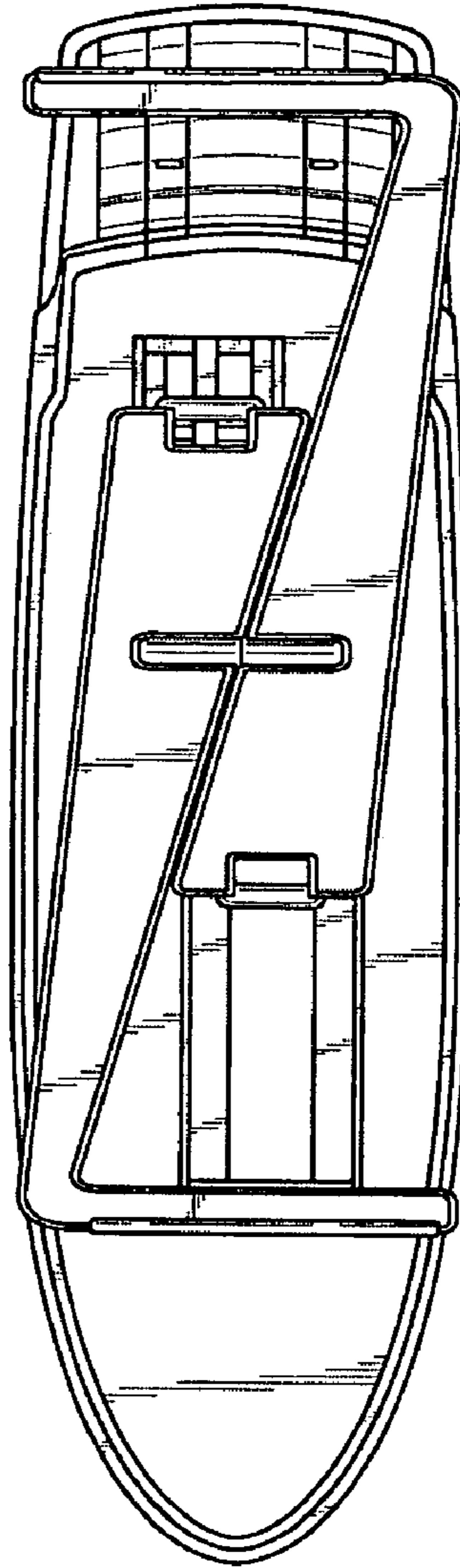


Fig. 6

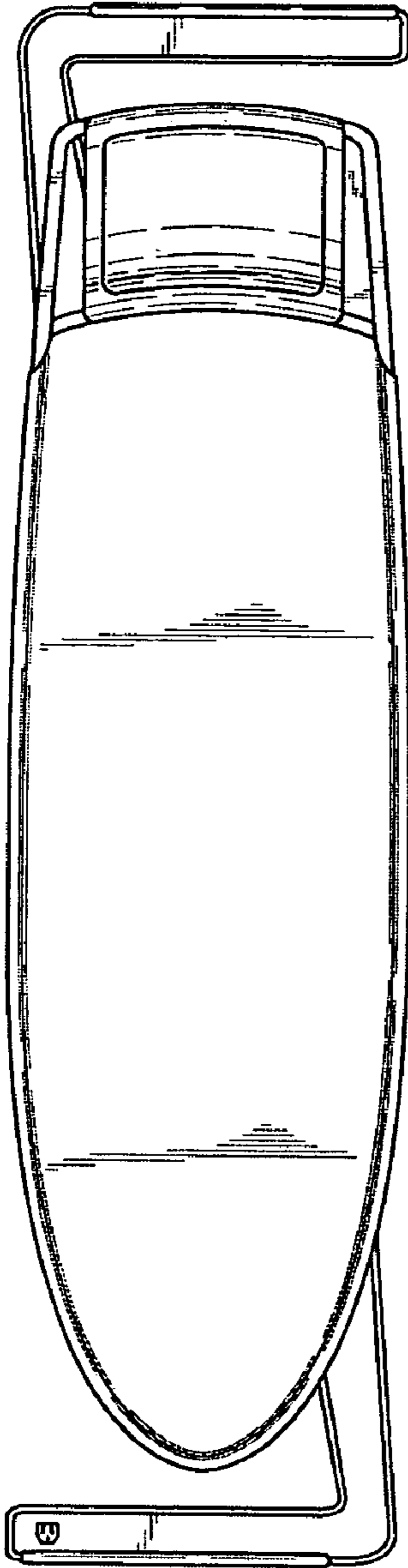


Fig. 7

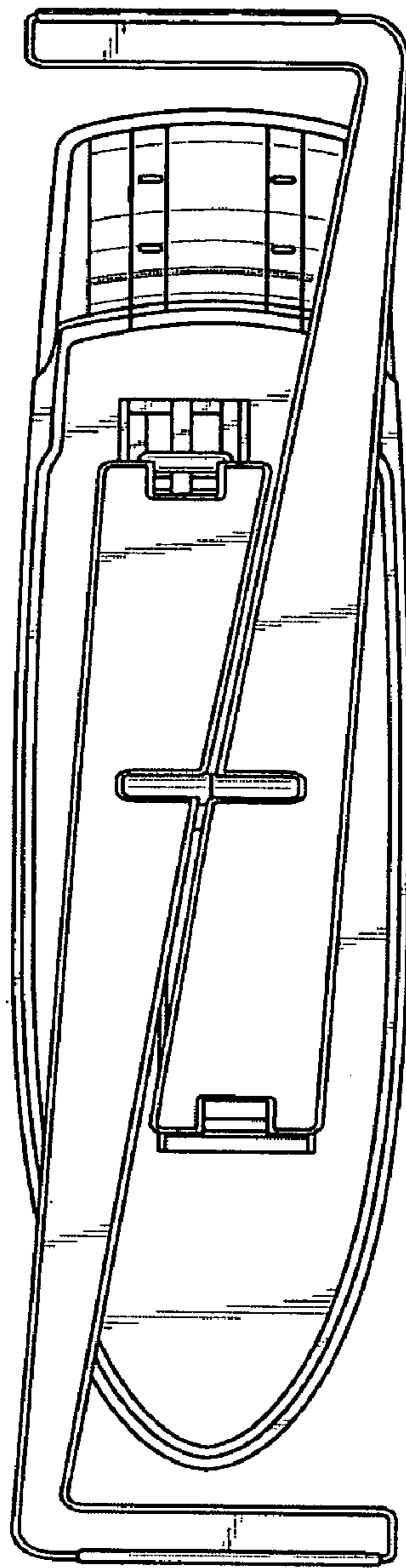


Fig. 8