

US00D546515S

(12) **United States Design Patent** (10) **Patent No.:** **US D546,515 S**
Wicky et al. (45) **Date of Patent:** **** Jul. 10, 2007**

(54) **IRONING SYSTEM**

(75) Inventors: **André Wicky**, La Chaux-de-Fons NE (CH); **Yves Marmier**, La Chaux-de-Fons NE (CH)

(73) Assignee: **LuaraStar S.A.**, Chatel-St. Denis (CH)

(**) Term: **14 Years**

(21) Appl. No.: **29/230,979**

(22) Filed: **May 31, 2005**

(51) **LOC (8) Cl.** **07-05**

(52) **U.S. Cl.** **D32/66; D32/70**

(58) **Field of Classification Search** D32/66–68, D32/70, 73; 38/77.2–77.7, 74–75, 103–107, 38/137, 141–142; 248/117.1, 117.2
See application file for complete search history.

(56) **References Cited**

U.S. PATENT DOCUMENTS

4,574,503	A *	3/1986	Bertani	38/77.6
4,910,896	A *	3/1990	Ruschitzka	38/106
4,956,928	A *	9/1990	Lehrman	38/107
D431,338	S *	9/2000	Zanardo	D32/70
6,250,593	B1 *	6/2001	Palu	248/117.2
6,263,597	B1 *	7/2001	Bric	38/142

* cited by examiner

Primary Examiner—Pamela J. Burgess
(74) *Attorney, Agent, or Firm*—Nixon & Vanderhye PC

(57) **CLAIM**

The ornamental design for a “ironing system,” as shown and described.

DESCRIPTION

FIG. 1 is a top, left side and front side elevational view of an ironing system according to our design;

FIG. 2 is a top, rear and left side perspective view thereof;

FIG. 3 is a rear elevational view thereof with the iron disposed on the ironing board, the front elevational view being a mirror image thereof;

FIG. 4 is a left side elevational view thereof;

FIG. 5 is a right side elevational view thereof;

FIG. 6 is a top plan view thereof;

FIG. 7 is a top plan view thereof in a folded position;

FIG. 8 is an inverted rear elevational view in a folded position;

FIG. 9 is a top plan view thereof in a folded position;

FIG. 10 is a top, left side and front elevational view of a further embodiment of an ironing system;

FIG. 11 is a top, rear and left side perspective view of the ironing system thereof;

FIG. 12 is a view similar to FIG. 11 with the ironing disposed in a carrier therefor;

FIG. 13 is a left side elevational view thereof;

FIG. 14 is a right side elevational view thereof;

FIG. 15 is a rear elevational view thereof, the front elevational view thereof being a mirror image;

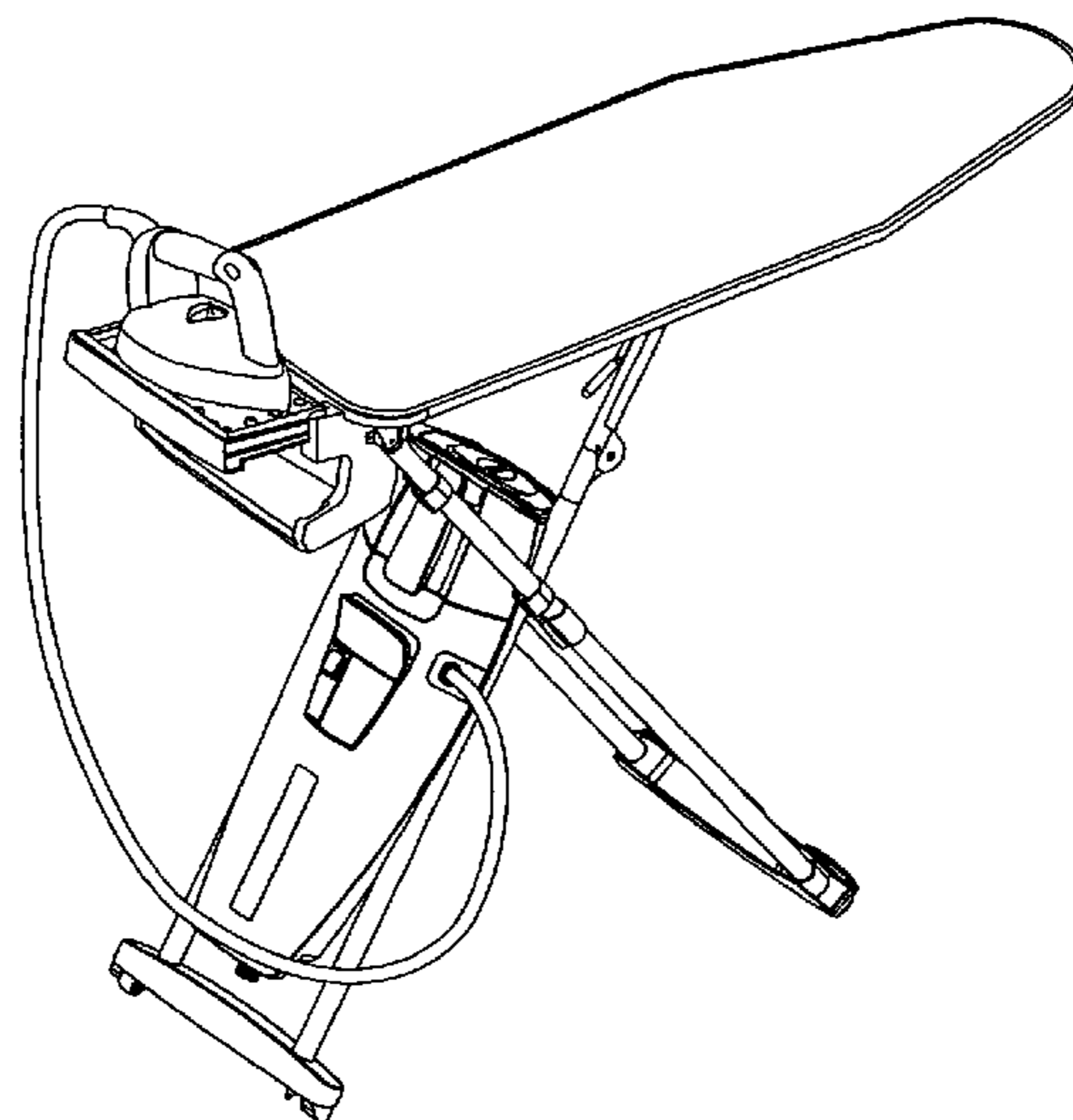
FIG. 16 is a top plan view thereof;

FIG. 17 is a top plan view thereof in a folded condition;

FIG. 18 is an inverted rear elevational view thereof in a folded position; and,

FIG. 19 is a top plan view thereof.

1 Claim, 10 Drawing Sheets



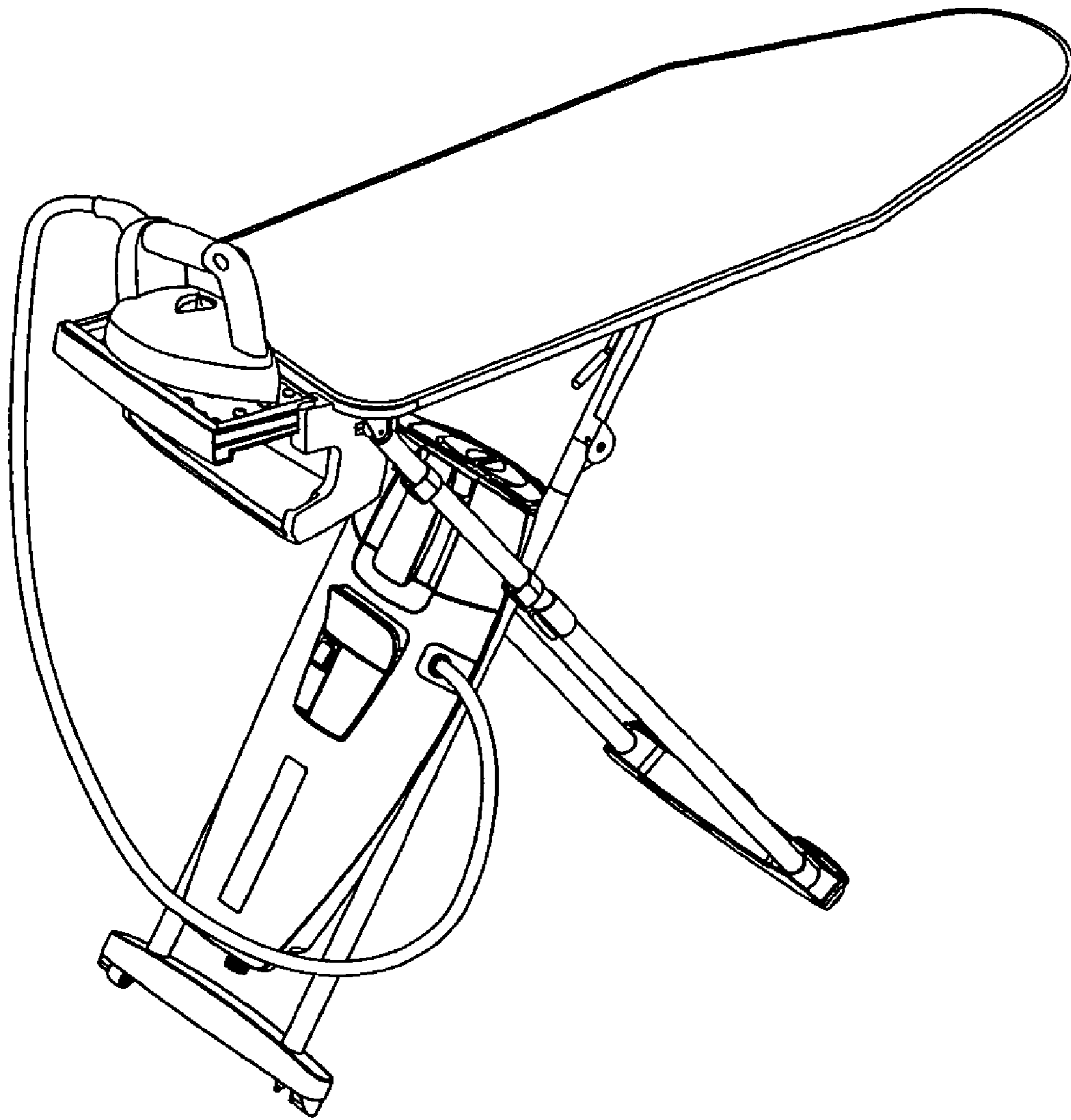


Fig. 1

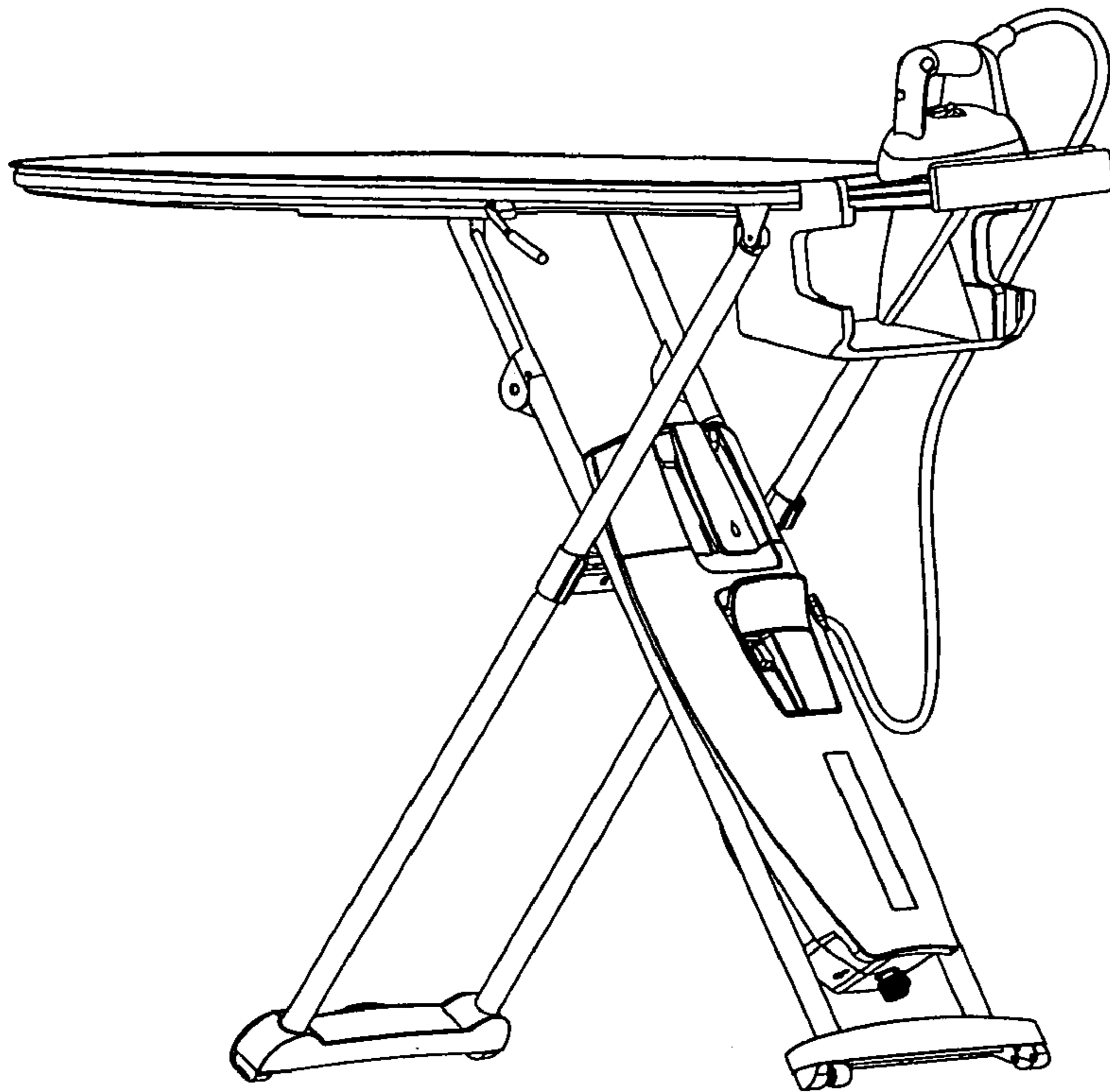


Fig. 2

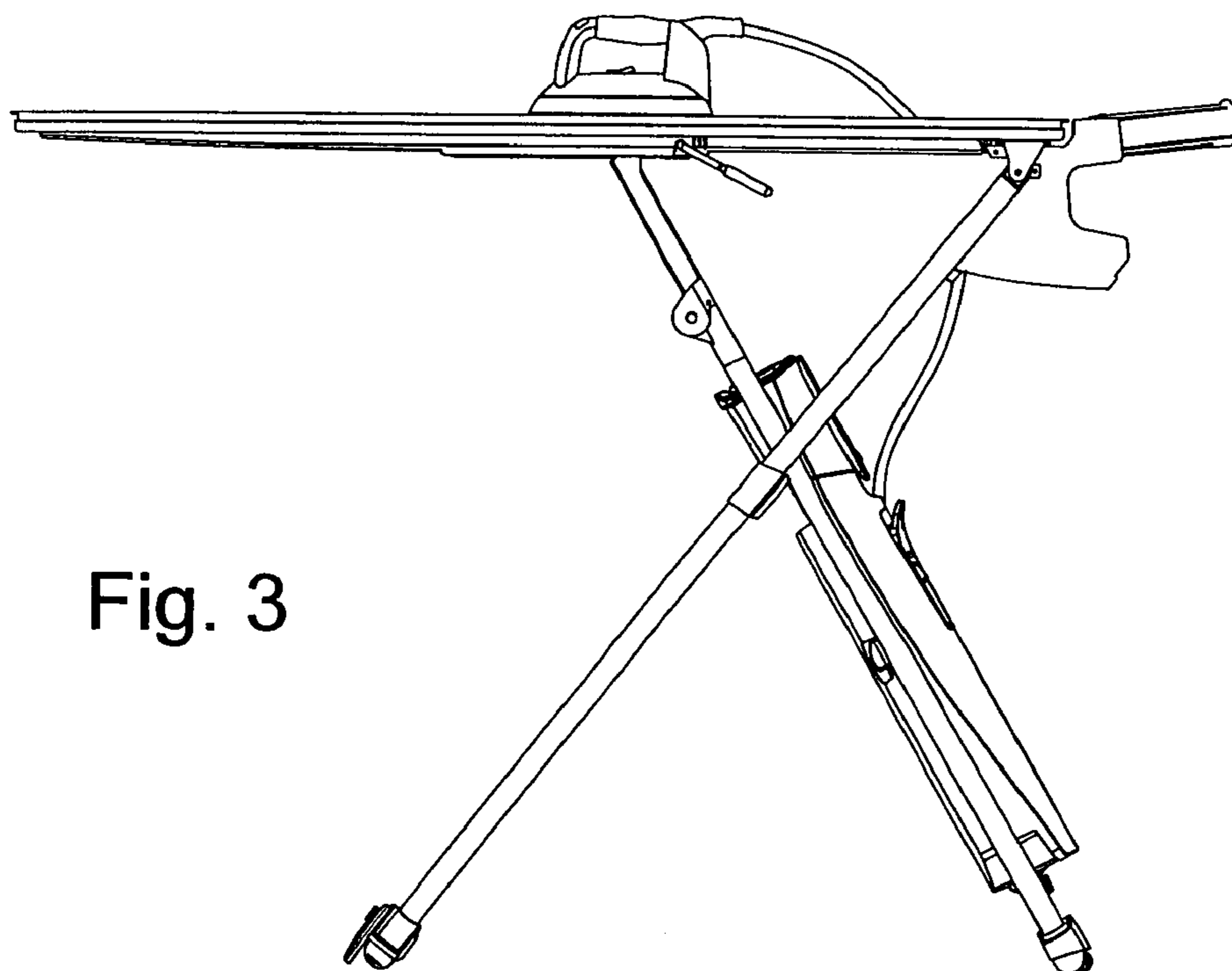


Fig. 3

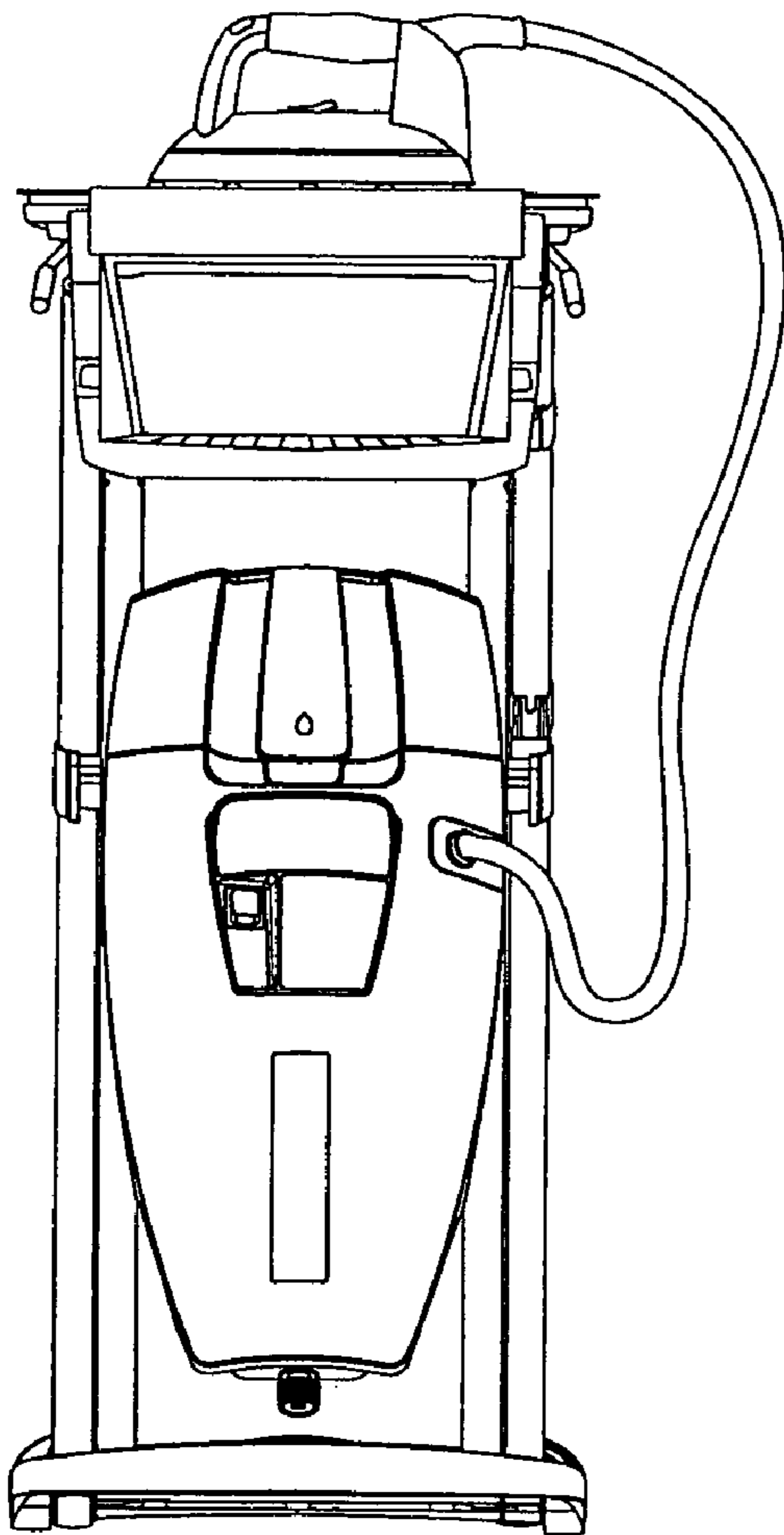


Fig. 4

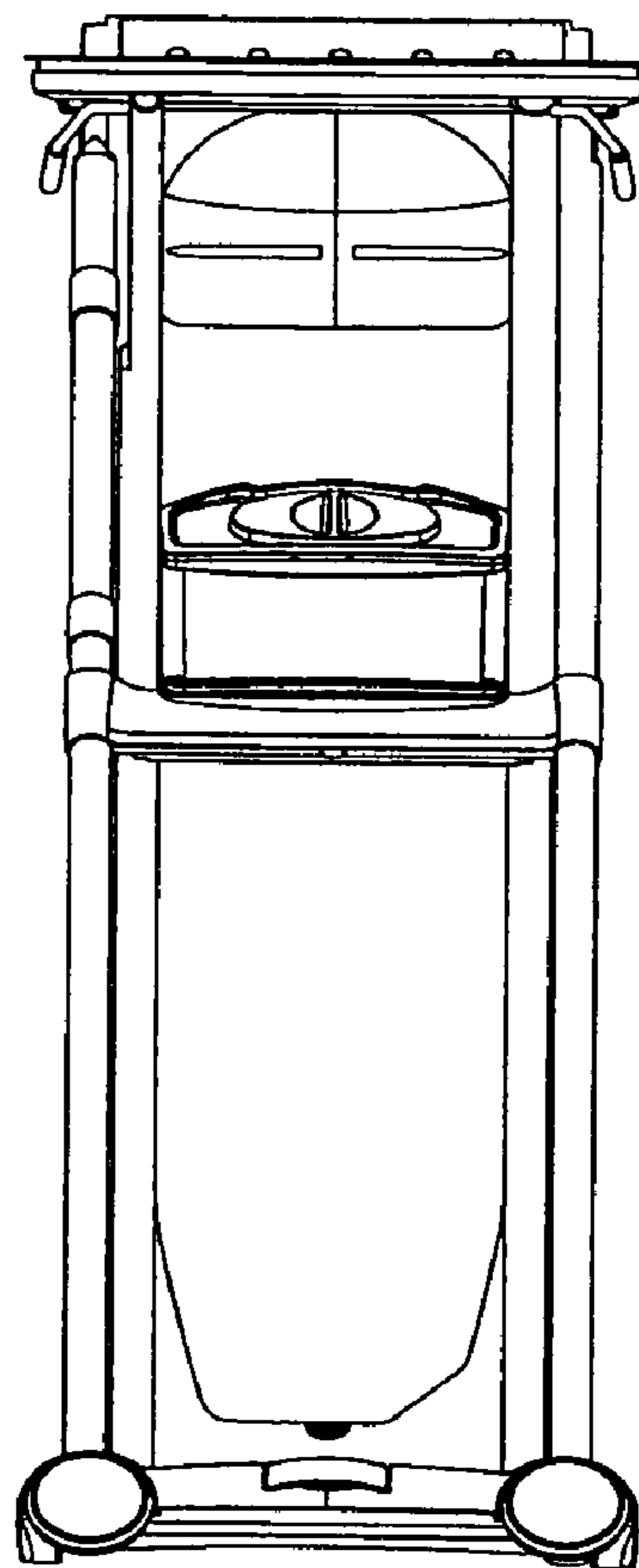


Fig. 5

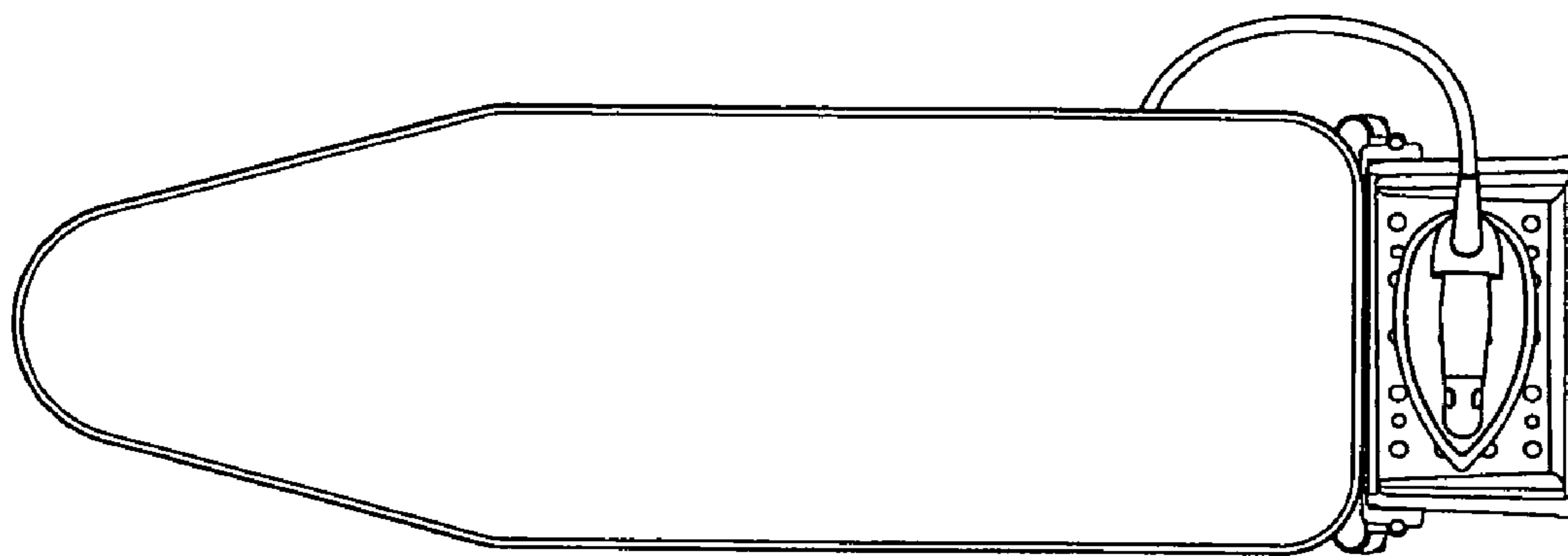


Fig. 6

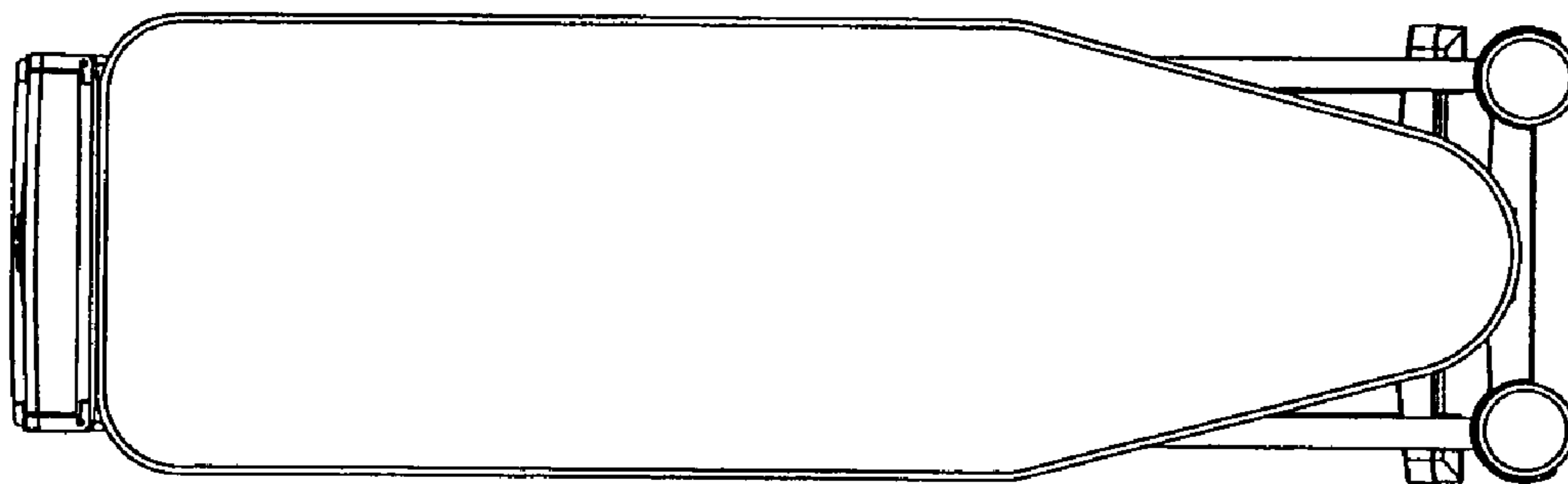


Fig. 7

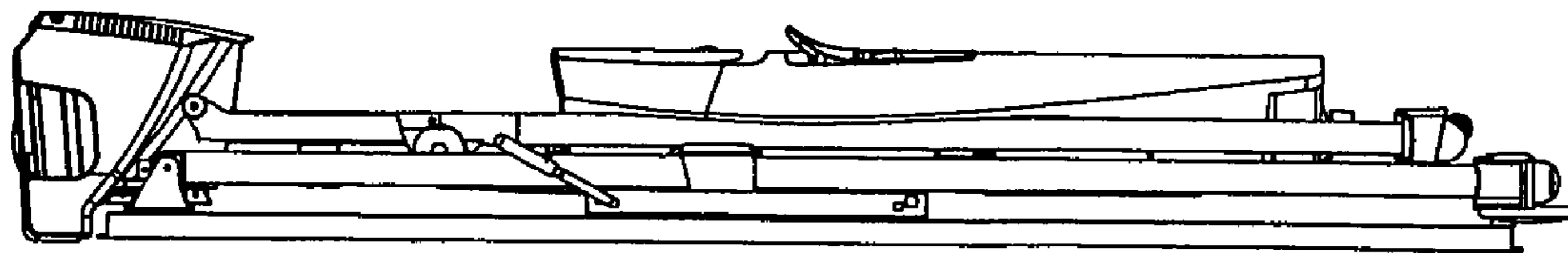


Fig. 8

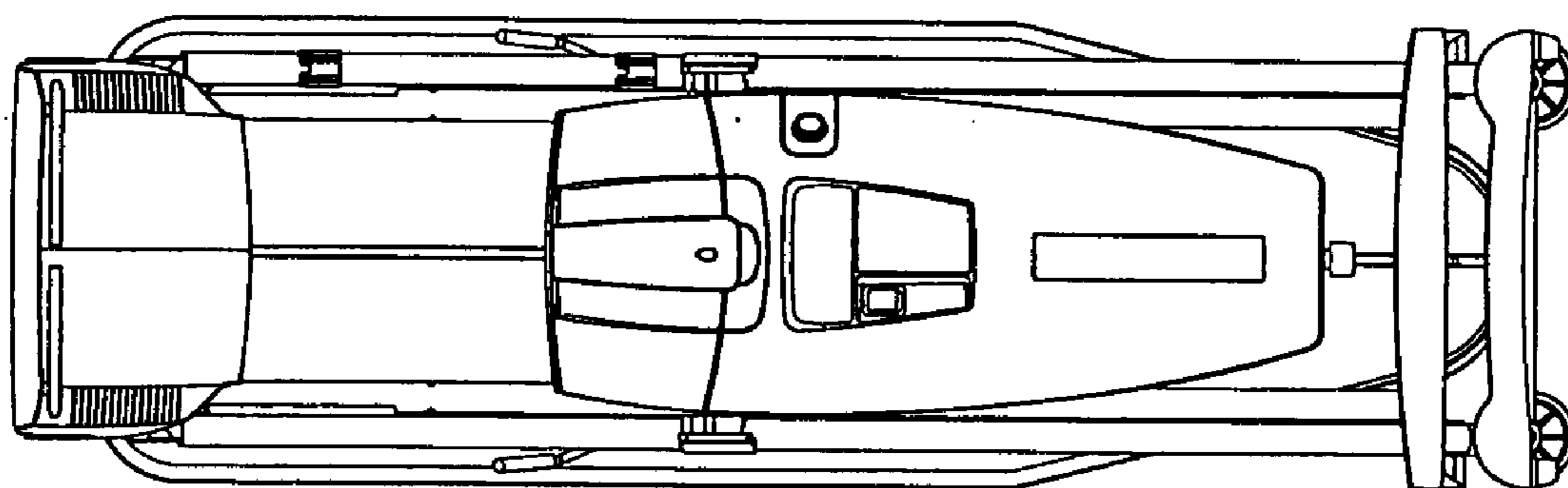


Fig. 9

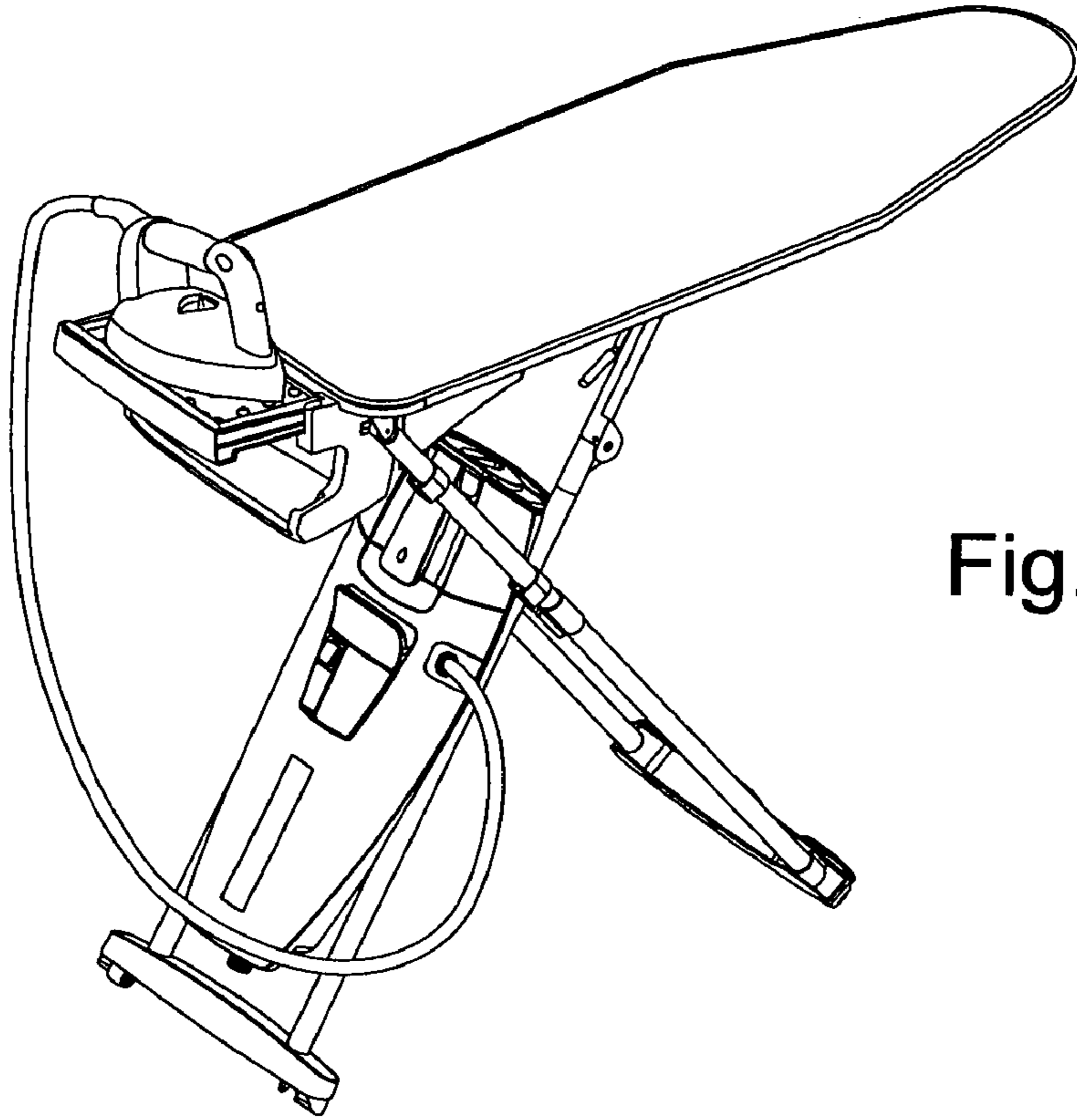


Fig. 10

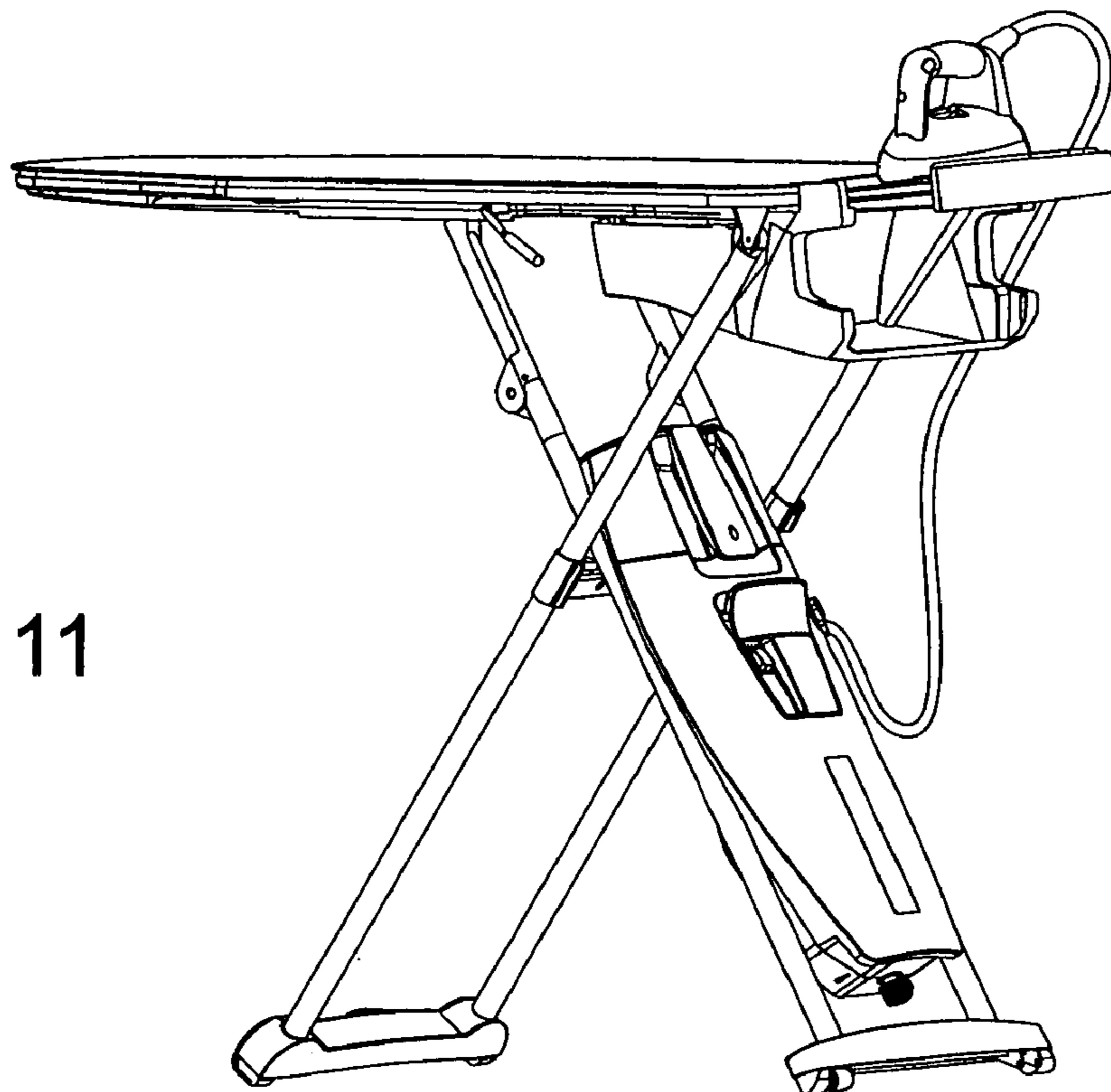


Fig. 11

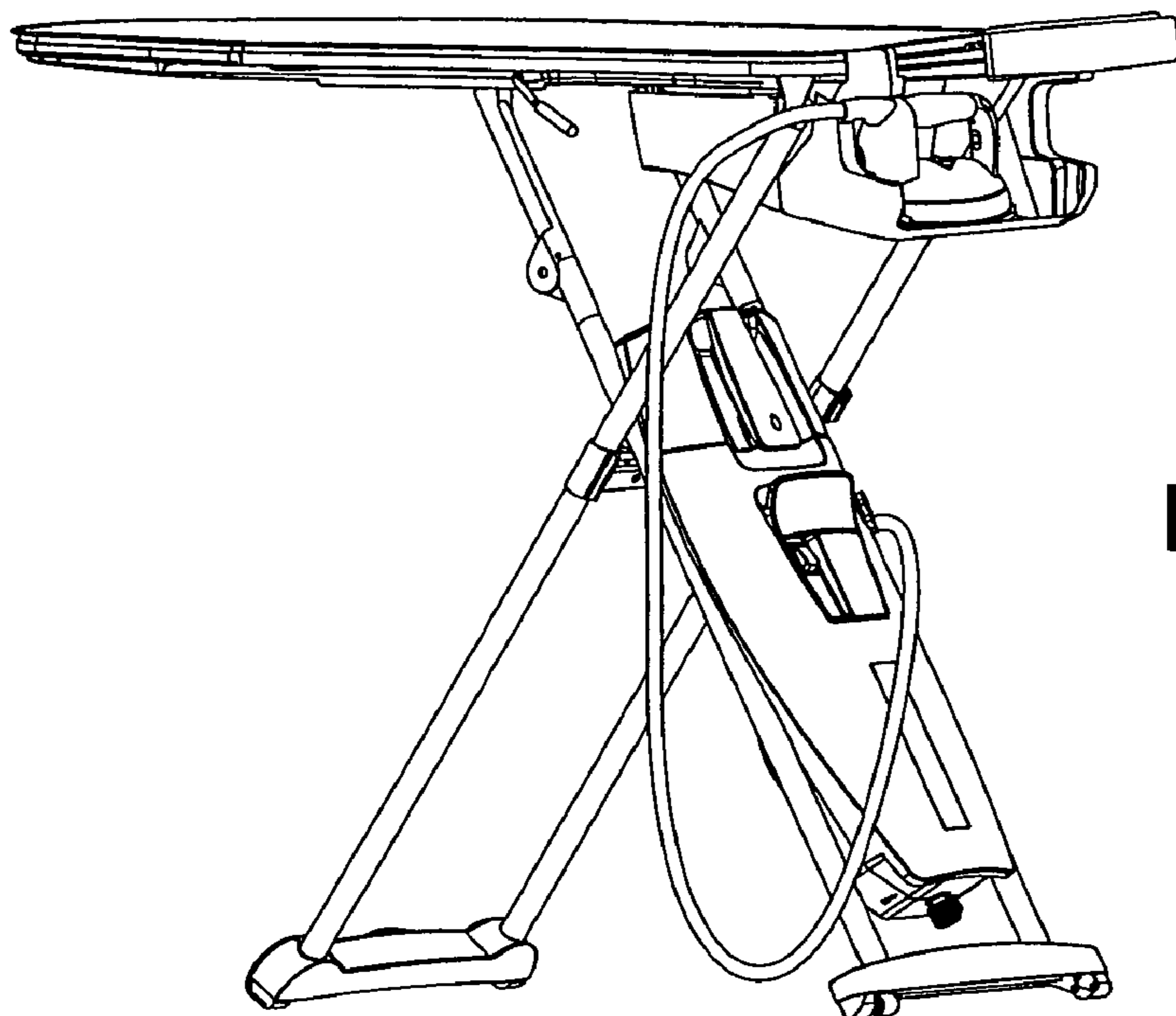


Fig. 12

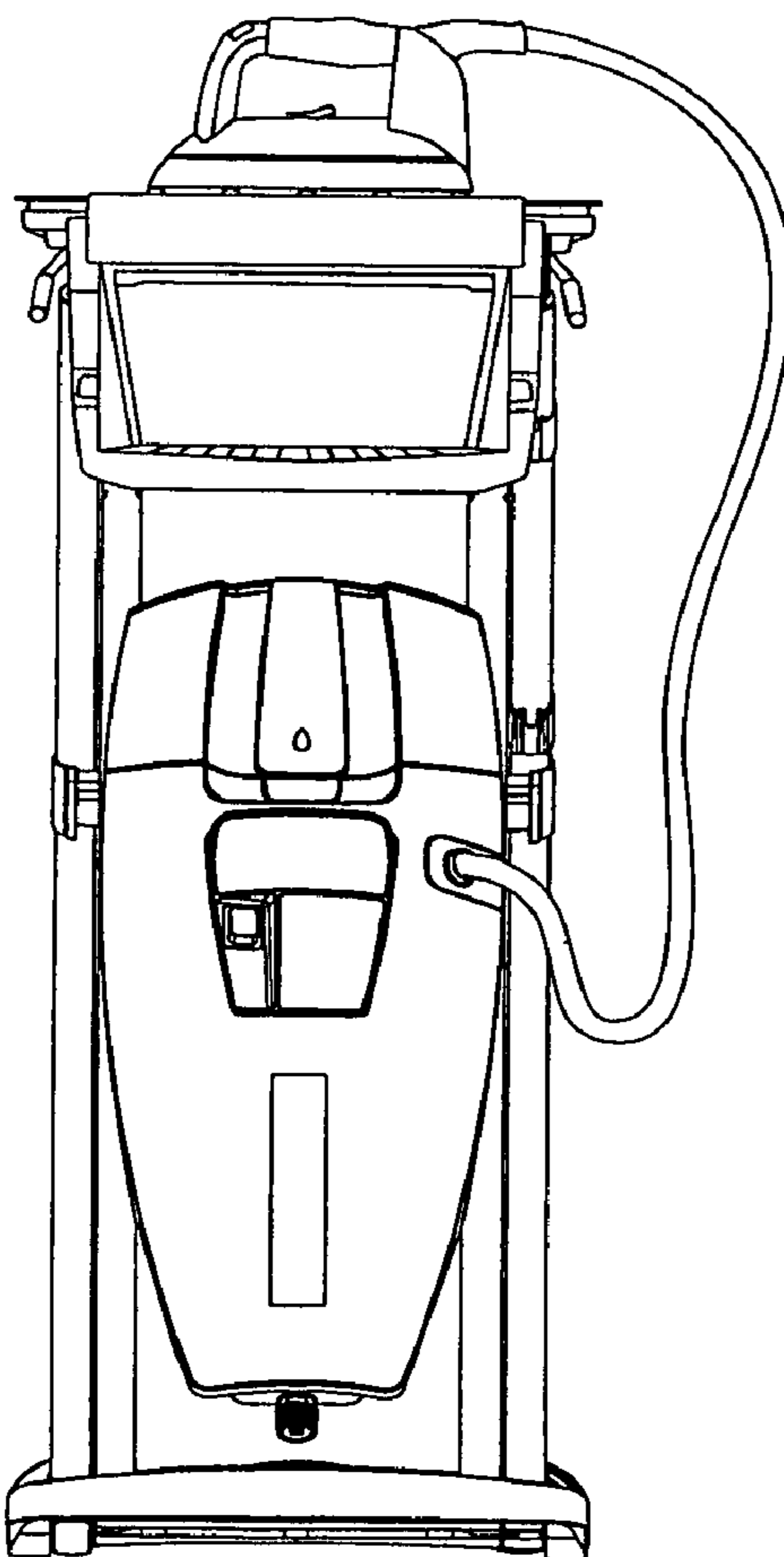


Fig. 13

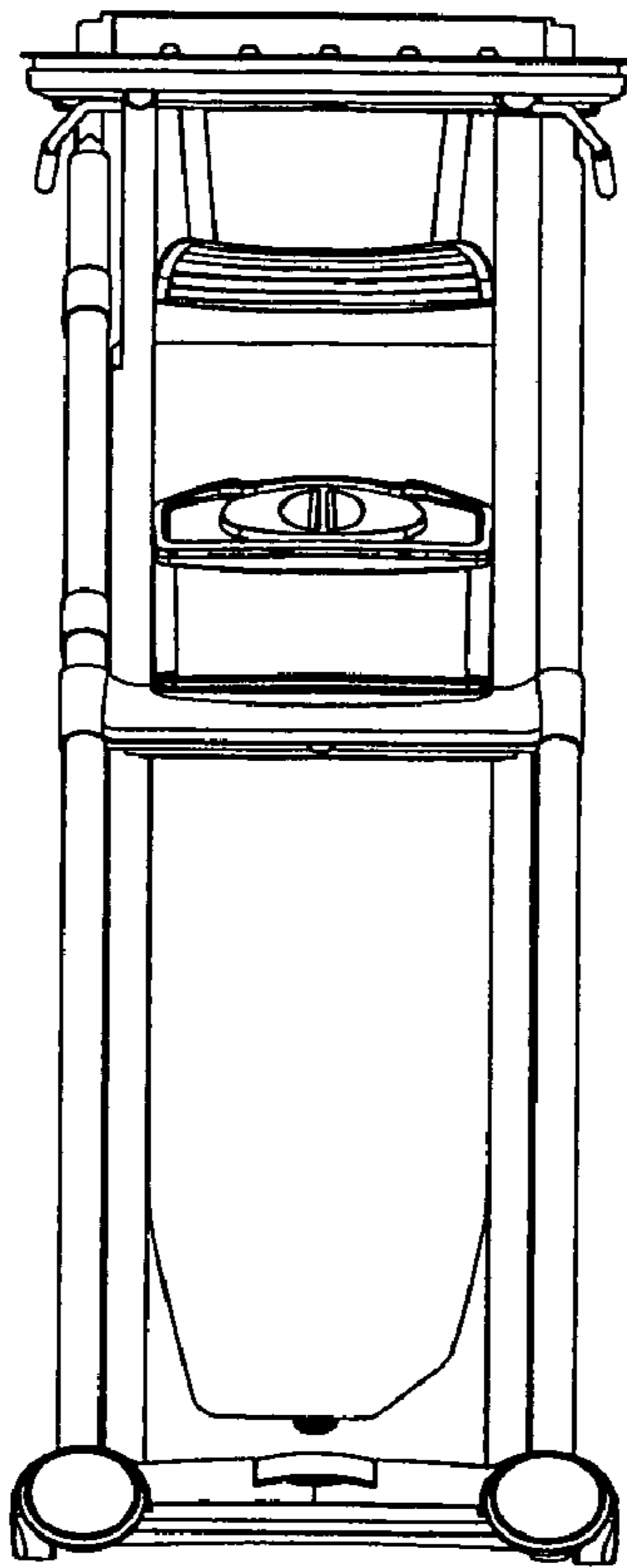


Fig. 14

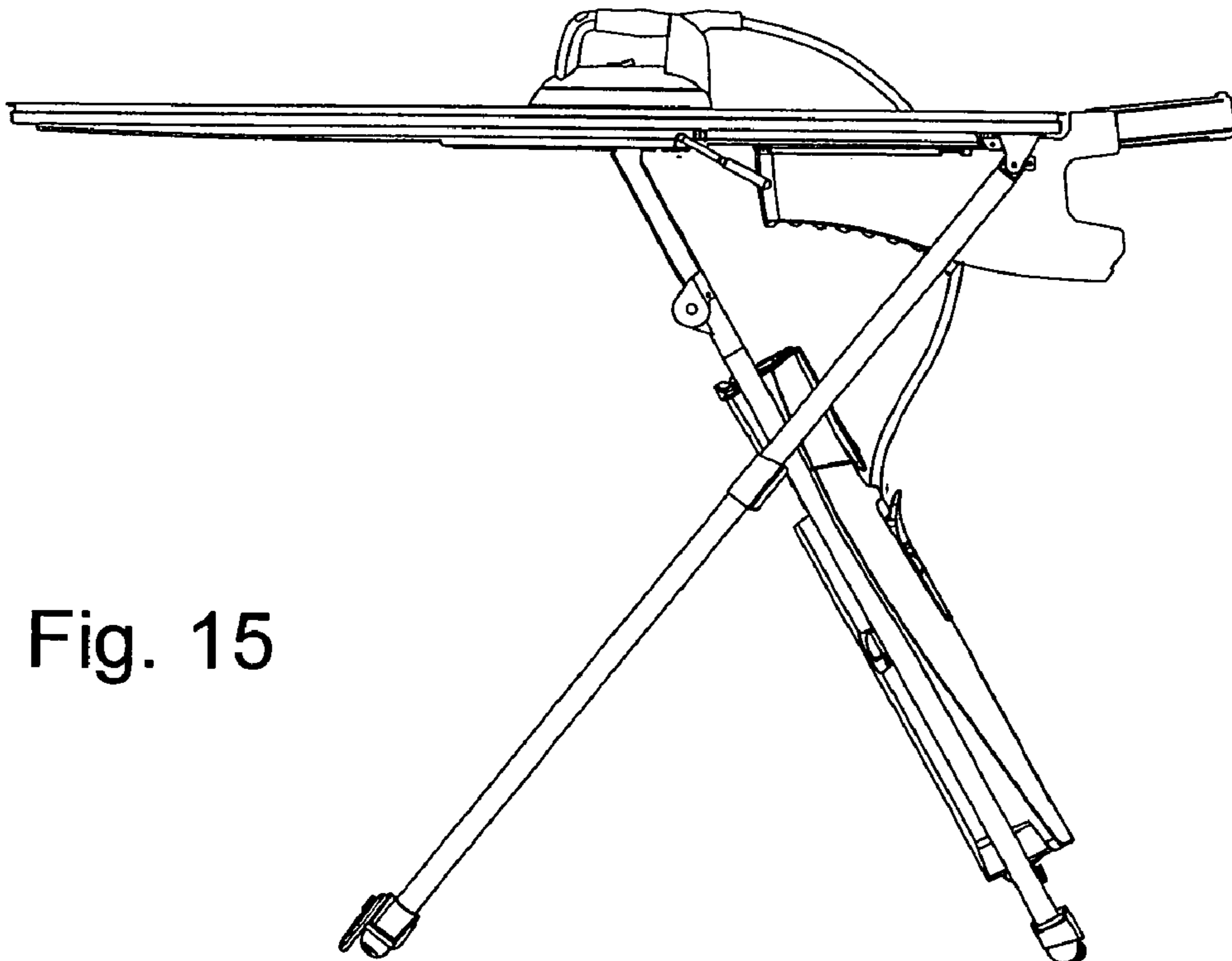


Fig. 15

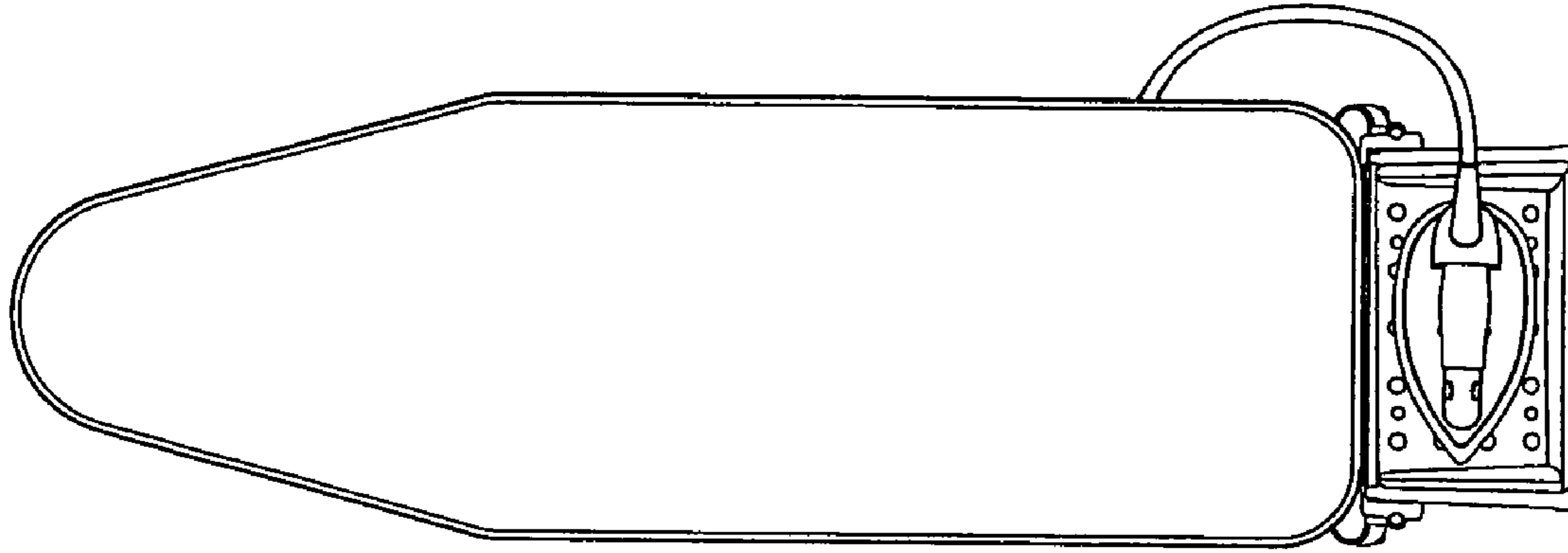


Fig. 16

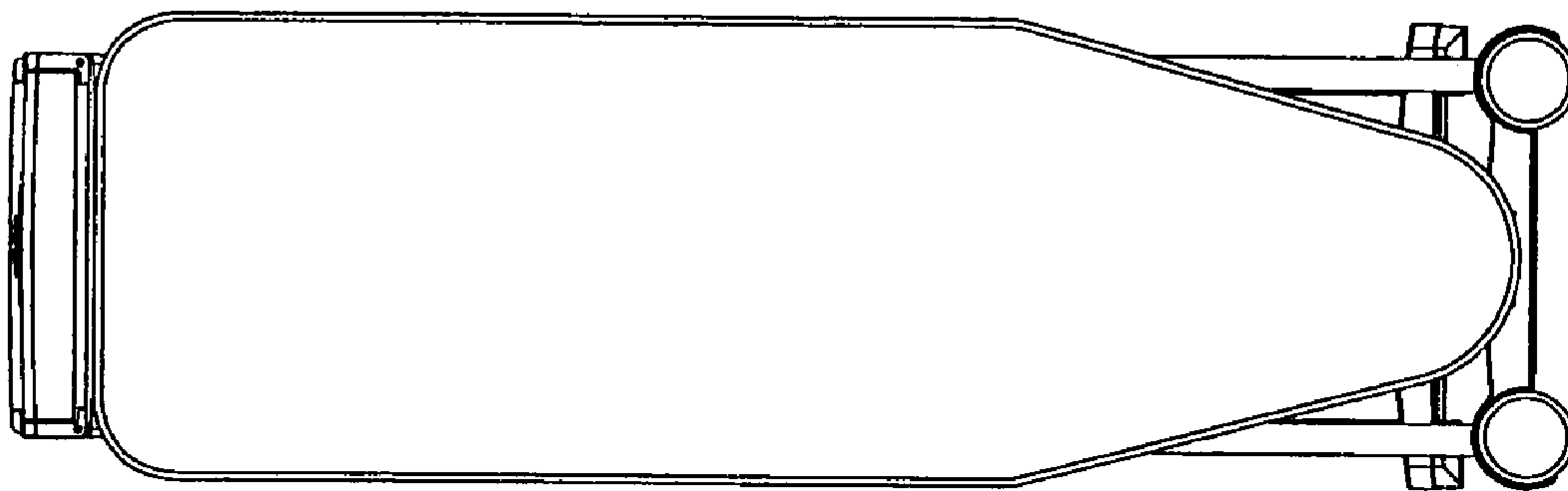


Fig. 17

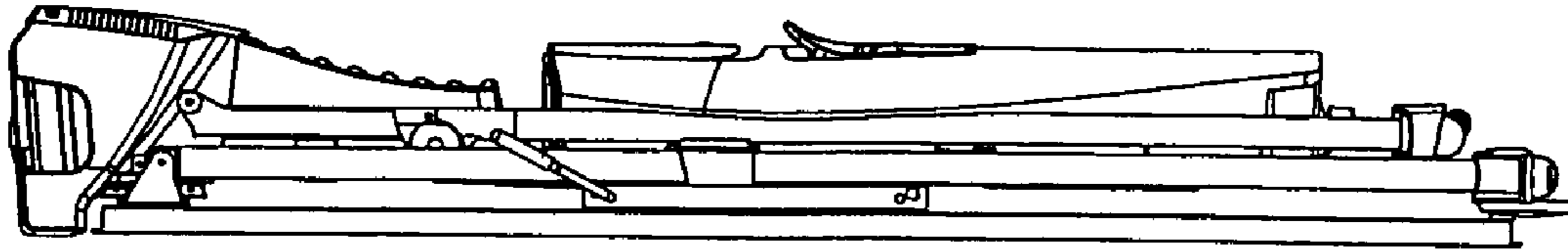


Fig. 18

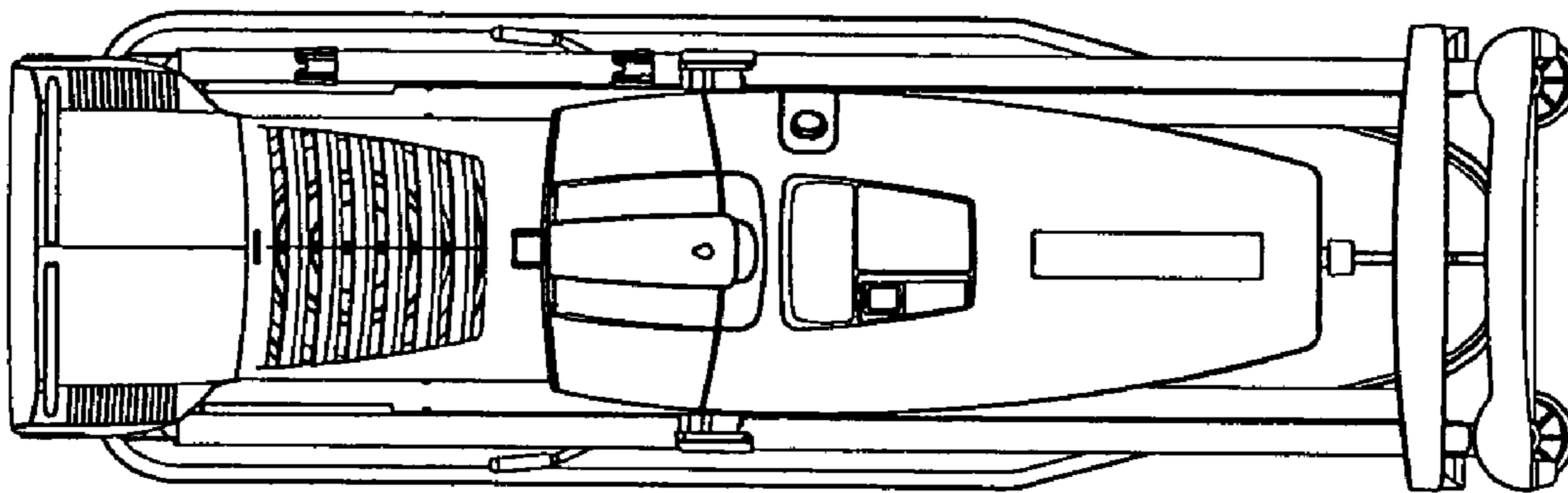


Fig. 19