

US00D546509S

(12) **United States Design Patent** (10) **Patent No.:** **US D546,509 S**  
**Gilpatrick et al.** (45) **Date of Patent:** **\*\* Jul. 10, 2007**

(54) **BILLBOARD FOR A PRESSURE WASHER**

(75) Inventors: **Richard J. Gilpatrick**, Whitewater, WI (US); **Daniel D. Monty**, Eagle, WI (US); **James L. Welch**, Waukesha, WI (US)

(73) Assignee: **Briggs and Stratton Corporation**, Wauwatosa, WI (US)

(\*\*) Term: **14 Years**

(21) Appl. No.: **29/218,663**

(22) Filed: **Dec. 6, 2004**

(51) **LOC (8) Cl.** ..... **15-05**

(52) **U.S. Cl.** ..... **D32/25**

(58) **Field of Classification Search** ..... D32/1, D32/15, 17, 16, 19, 25, 31-33; D8/61, 67, D8/69, 71, 373, 380, 381; D4/102; 15/97.1, 15/98, 22.1, 320; 451/353-359, 344, 451, 451/456, 360; D34/24-26, 12, 14, 17; 280/47.35, 280/47.86; D7/555, 601, 701; D6/553, 574, D6/552, 567; 239/146, 147, 149  
See application file for complete search history.

(56) **References Cited**

U.S. PATENT DOCUMENTS

1,981,674 A	11/1934	Solomon	
D179,714 S	2/1957	Wise	
D206,426 S	12/1966	Wise	
3,940,065 A	2/1976	Ware et al.	
4,350,366 A *	9/1982	Helms	280/655
D300,406 S	3/1989	Bordian	
D345,842 S *	4/1994	Sloan et al.	D34/26
5,299,767 A	4/1994	Simpson	
5,419,497 A	5/1995	Warrington	
5,452,830 A	9/1995	Hopkins et al.	
5,687,856 A	11/1997	Kendrena	
D396,924 S *	8/1998	Cardenas	D34/24
5,810,213 A	9/1998	Flores et al.	
5,957,352 A	9/1999	Gares	

5,967,426 A	10/1999	McLeod	
6,070,808 A	6/2000	Kildow	
D441,935 S *	5/2001	Cook	D34/24
6,279,838 B1	8/2001	Sivells et al.	
D458,423 S *	6/2002	Rehkugler et al.	D32/16
D463,888 S *	10/2002	Rehkugler et al.	D32/16
D465,624 S *	11/2002	Kolicheski et al.	D32/25
D468,591 S	1/2003	Lillelund et al.	
6,695,235 B2	2/2004	Faller et al.	
6,755,478 B2	6/2004	Messinger-Rapport	

(Continued)

*Primary Examiner*—Louis S. Zarfaz  
*Assistant Examiner*—Kathleen Sims  
(74) *Attorney, Agent, or Firm*—Michael Best & Friedrich LLP

(57) **CLAIM**

We claim the ornamental design for a billboard for a pressure washer, as shown and described.

**DESCRIPTION**

FIG. 1 is a front perspective view of a billboard for a pressure washer according to the invention.

FIG. 2 is a rear perspective view of the billboard shown in FIG. 1.

FIG. 3 is a top view of the billboard shown in FIG. 1.

FIG. 4 is a partial cross-sectional side view of the billboard shown in FIG. 1 taken along line 4—4.

FIG. 5 is a front view of the billboard shown in FIG. 1.

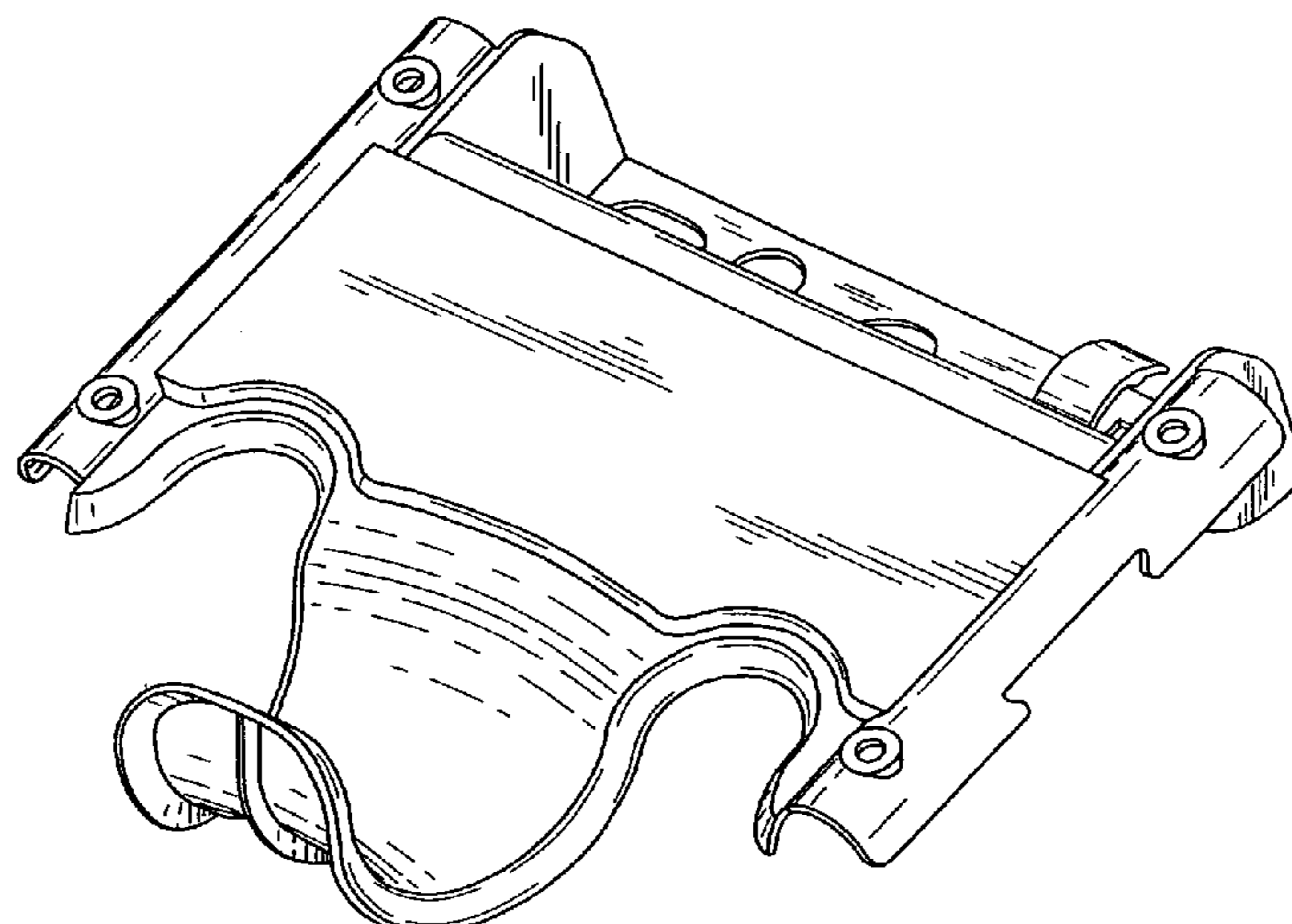
FIG. 6 is a right side view of the billboard shown in FIG. 1.

FIG. 7 is a left side view of the billboard shown in FIG. 1; and,

FIG. 8 is a rear view of the billboard shown in FIG. 1.

The broken line showing of the environment is for illustrative purposes only and forms no part of the claimed design.

**1 Claim, 4 Drawing Sheets**

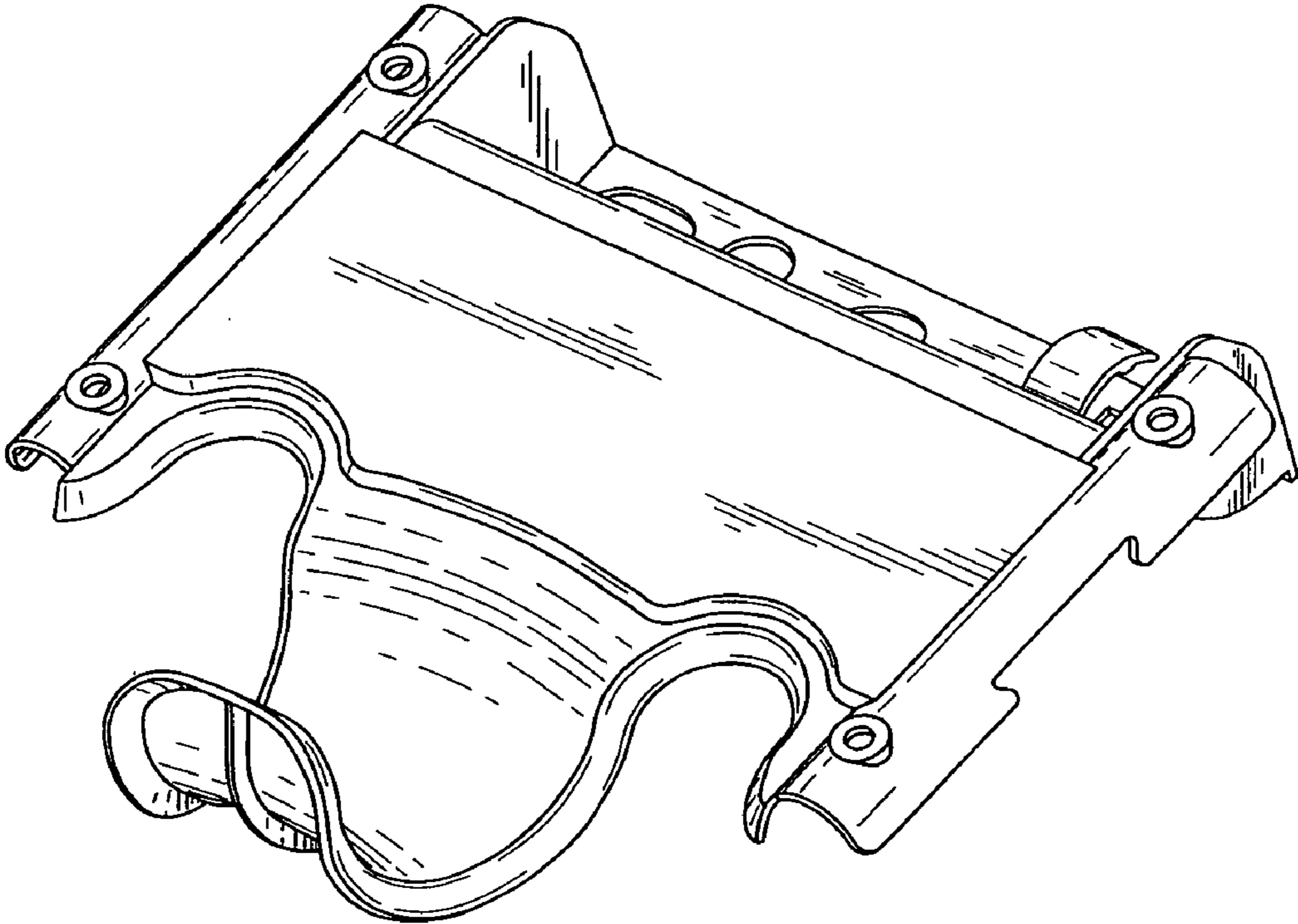


# US D546,509 S

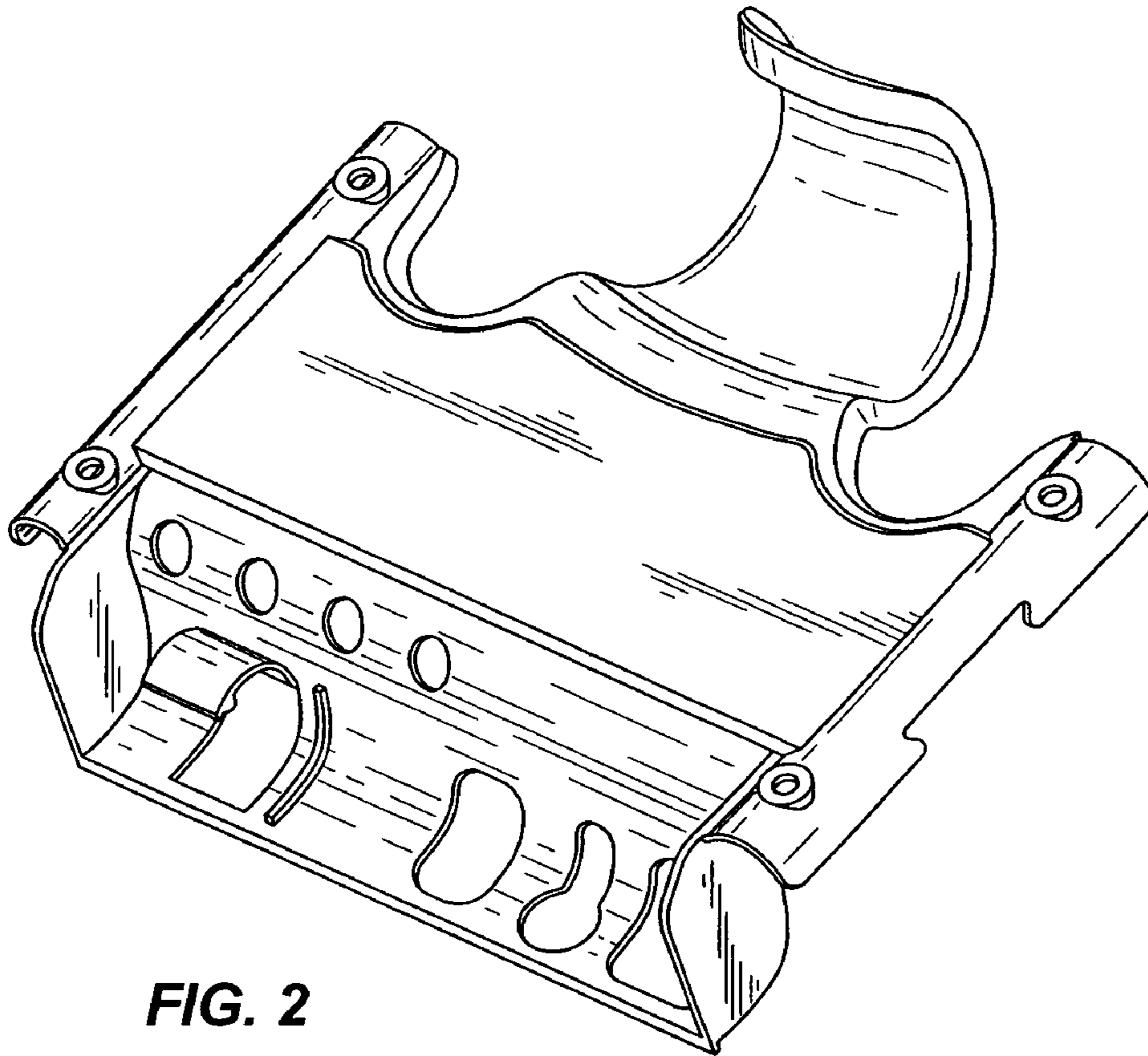
Page 2

---

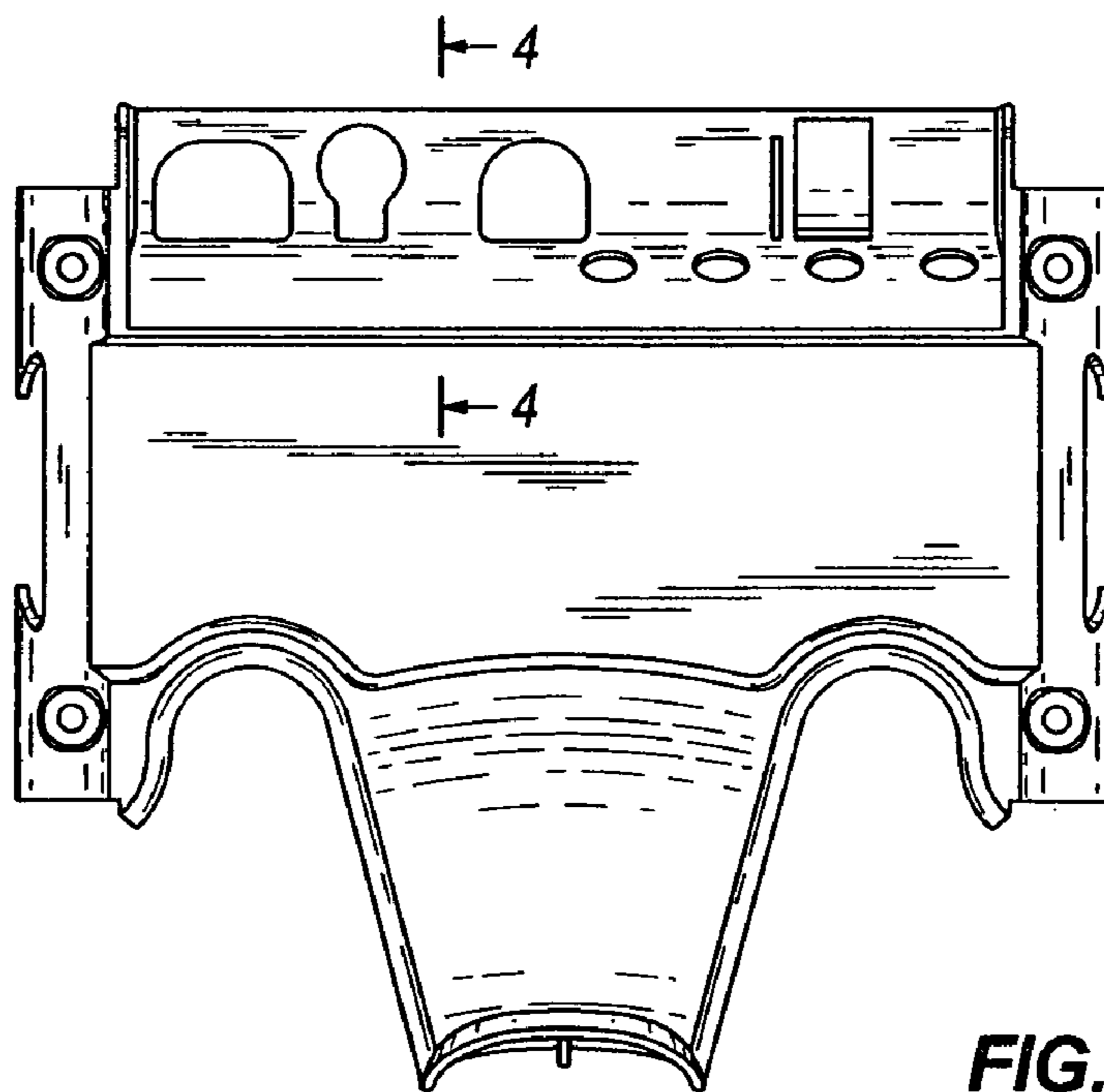
U.S. PATENT DOCUMENTS			
		2003/0122331 A1*	7/2003 DiGiacomo et al. .... 280/47.35
6,758,482 B2	7/2004	Stallbaumer	
D499,848 S *	12/2004	Leasure .....	D32/15
6,827,357 B2*	12/2004	Calmeise et al. ....	280/47.34
			* cited by examiner



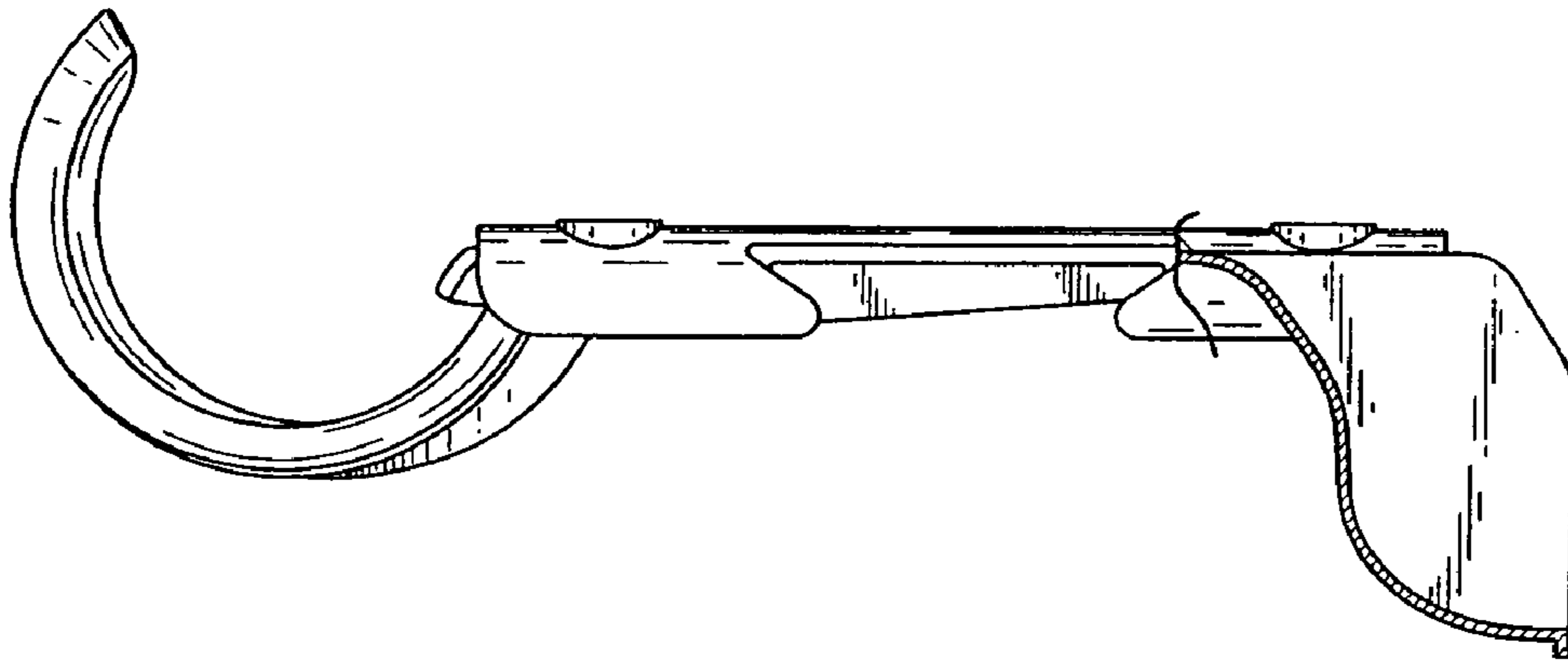
**FIG. 1**



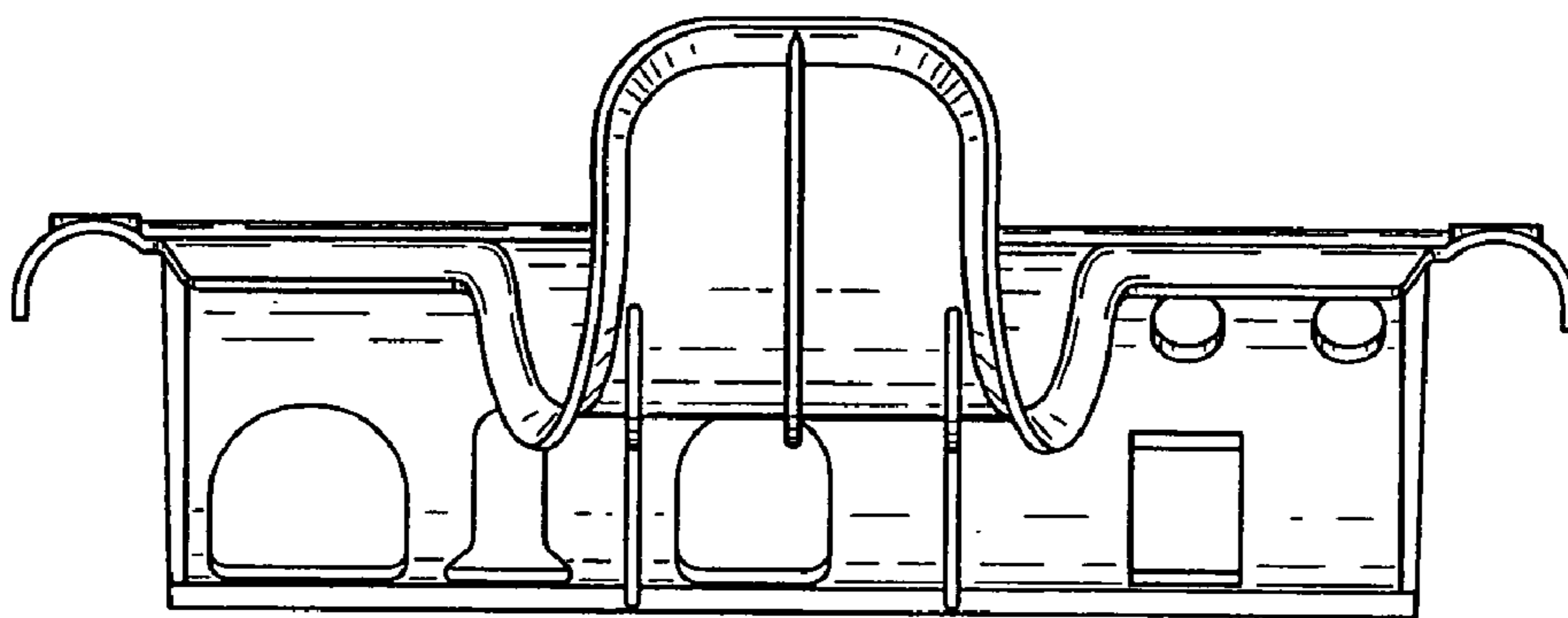
**FIG. 2**



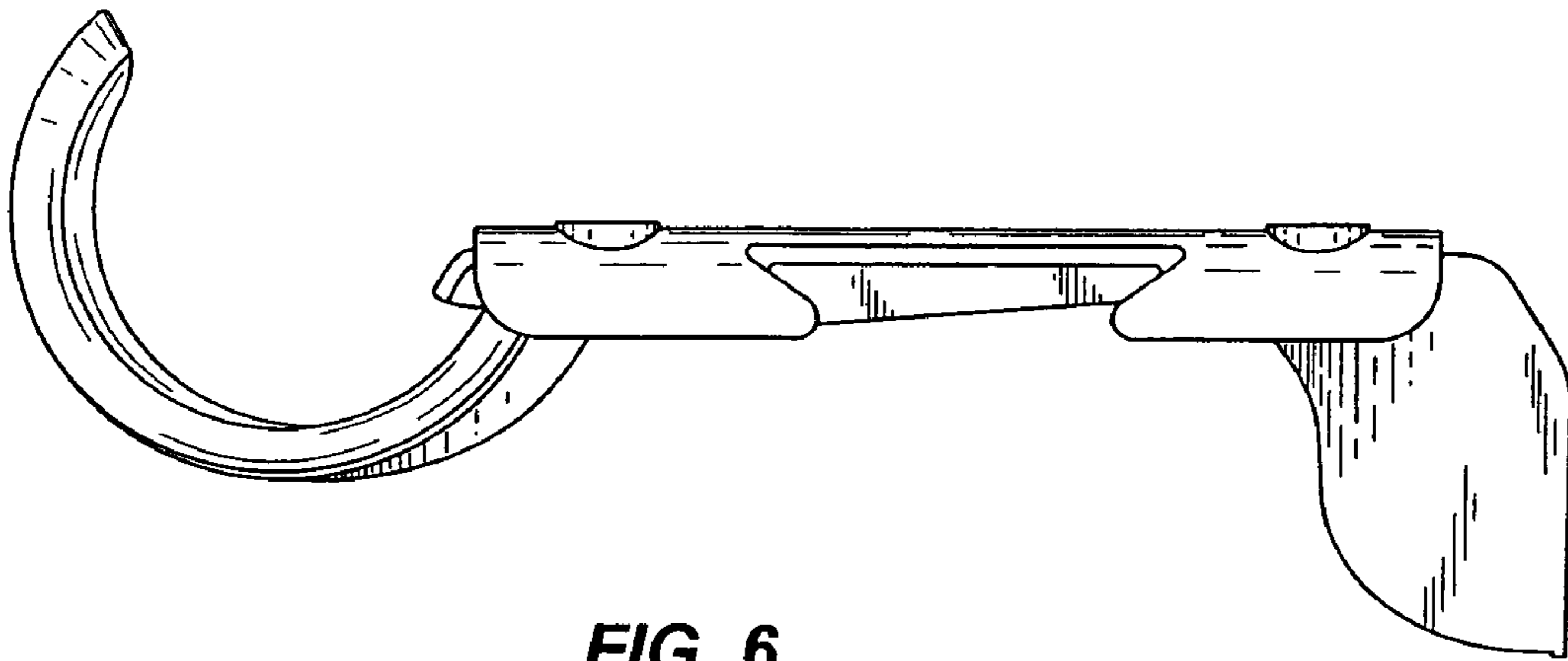
**FIG. 3**



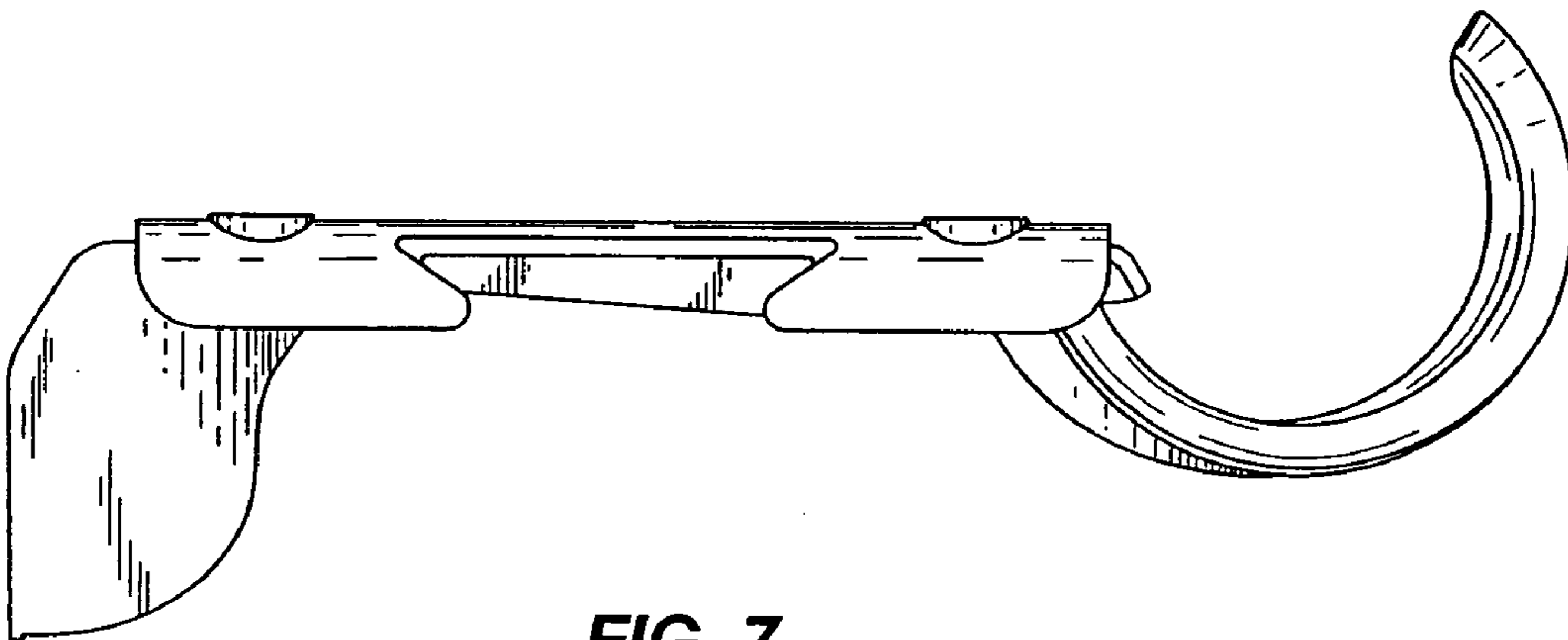
**FIG. 4**



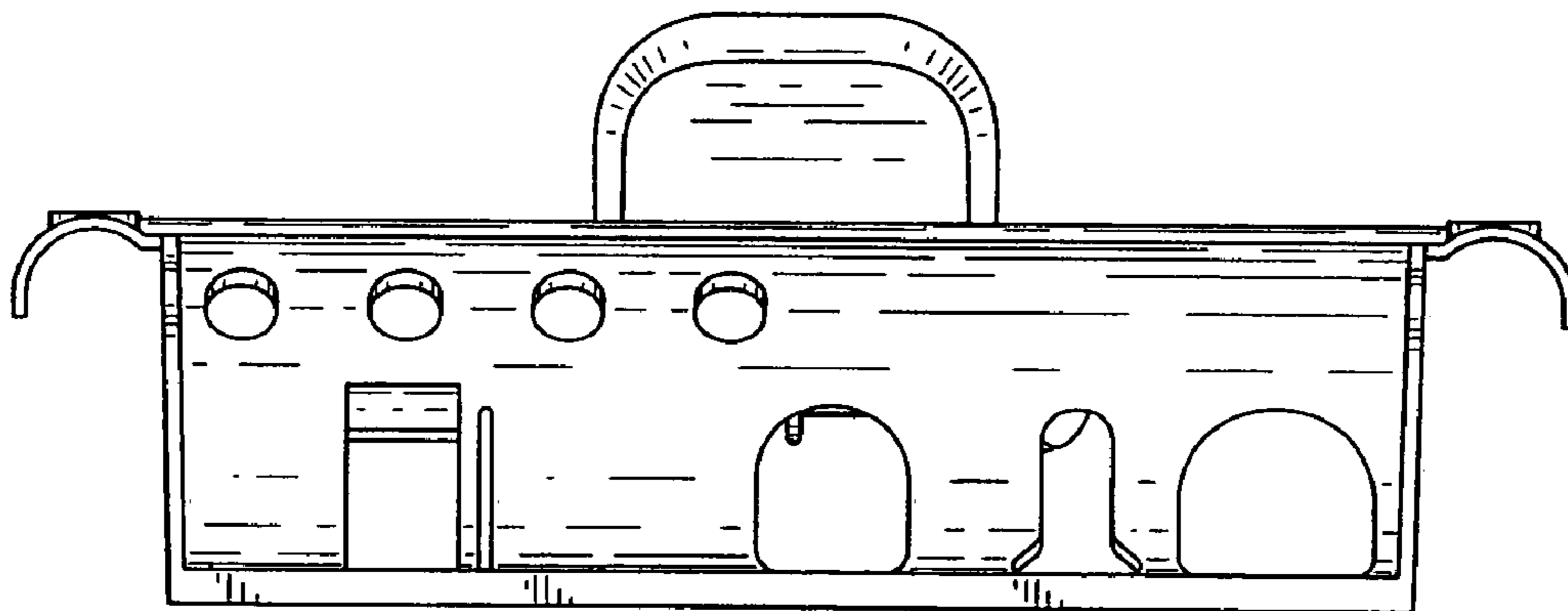
**FIG. 5**



**FIG. 6**



**FIG. 7**



**FIG. 8**