

US00D546508S

(12) **United States Design Patent**
Robertson

(10) **Patent No.:** **US D546,508 S**

(45) **Date of Patent:** **** Jul. 10, 2007**

(54) **TOYS FOR ANIMALS**

6,592,476 B1 * 7/2003 Bellehumeur et al. 473/588
D510,968 S * 10/2005 Coleman et al. D21/710
D515,154 S * 2/2006 Coleman et al. D21/710

(75) Inventor: **Andrew James Robertson**, Prestwick
(GB)

OTHER PUBLICATIONS

(73) Assignee: **Talisker Bay International Limited**,
Ayrshire (GB)

Design registration No. 2102401, registered Jun. 8, 2001, entitled,
Toy, to Talisker Bay International Limited, 5 pages.

(**) Term: **14 Years**

* cited by examiner

(21) Appl. No.: **29/262,738**

Primary Examiner—Louis S. Zarfes

(22) Filed: **Jul. 11, 2006**

Assistant Examiner—Anna Dworzecka

(74) *Attorney, Agent, or Firm*—Dowell & Dowell, P.C.

(30) **Foreign Application Priority Data**

(57) **CLAIM**

Jan. 11, 2006 (EM) 000460845

The ornamental design for toys for animals, as shown and
described.

(51) **LOC (8) Cl.** **30-99**

DESCRIPTION

(52) **U.S. Cl.** **D30/160; 119/51.03**

(58) **Field of Classification Search** D30/160,
D30/199, 119, 121, 124, 132, 133; D21/707-714,
D21/438-440, 203-205, 63-65, 108, 59,
D21/2, 105; 473/569-614, 167, 596; 446/220-226,
446/168, 409, 431; 119/708-711, 702, 51.03
See application file for complete search history.

FIG. 1 is a front perspective view of a toy for an animal
showing my new design;

FIG. 2 is a front view thereof;

FIG. 3 is a rear view thereof;

FIG. 4 is a left side view thereof;

FIG. 5 is a right side view thereof;

FIG. 6 is a top plan view thereof; and,

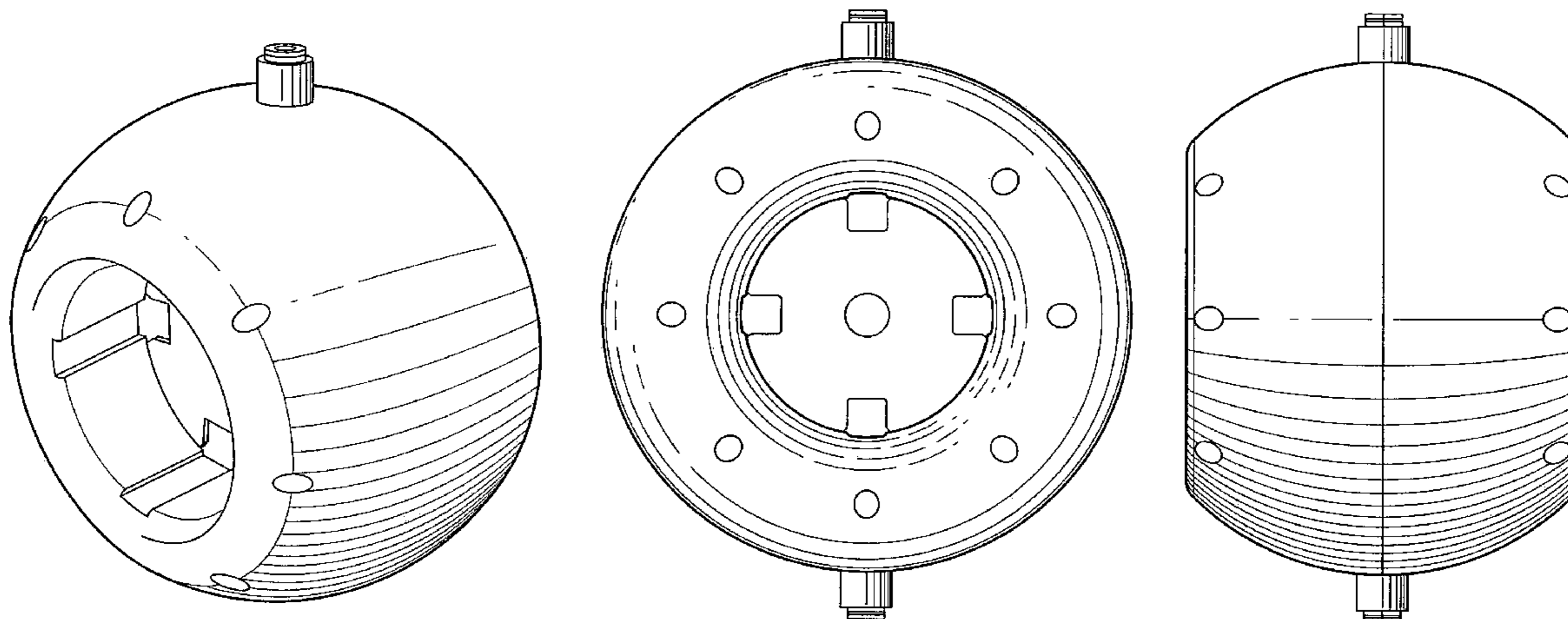
FIG. 7 is a bottom plan view thereof.

(56) **References Cited**

U.S. PATENT DOCUMENTS

D396,255 S * 7/1998 Kotler D21/710
5,816,965 A * 10/1998 Kotler 473/588

1 Claim, 7 Drawing Sheets



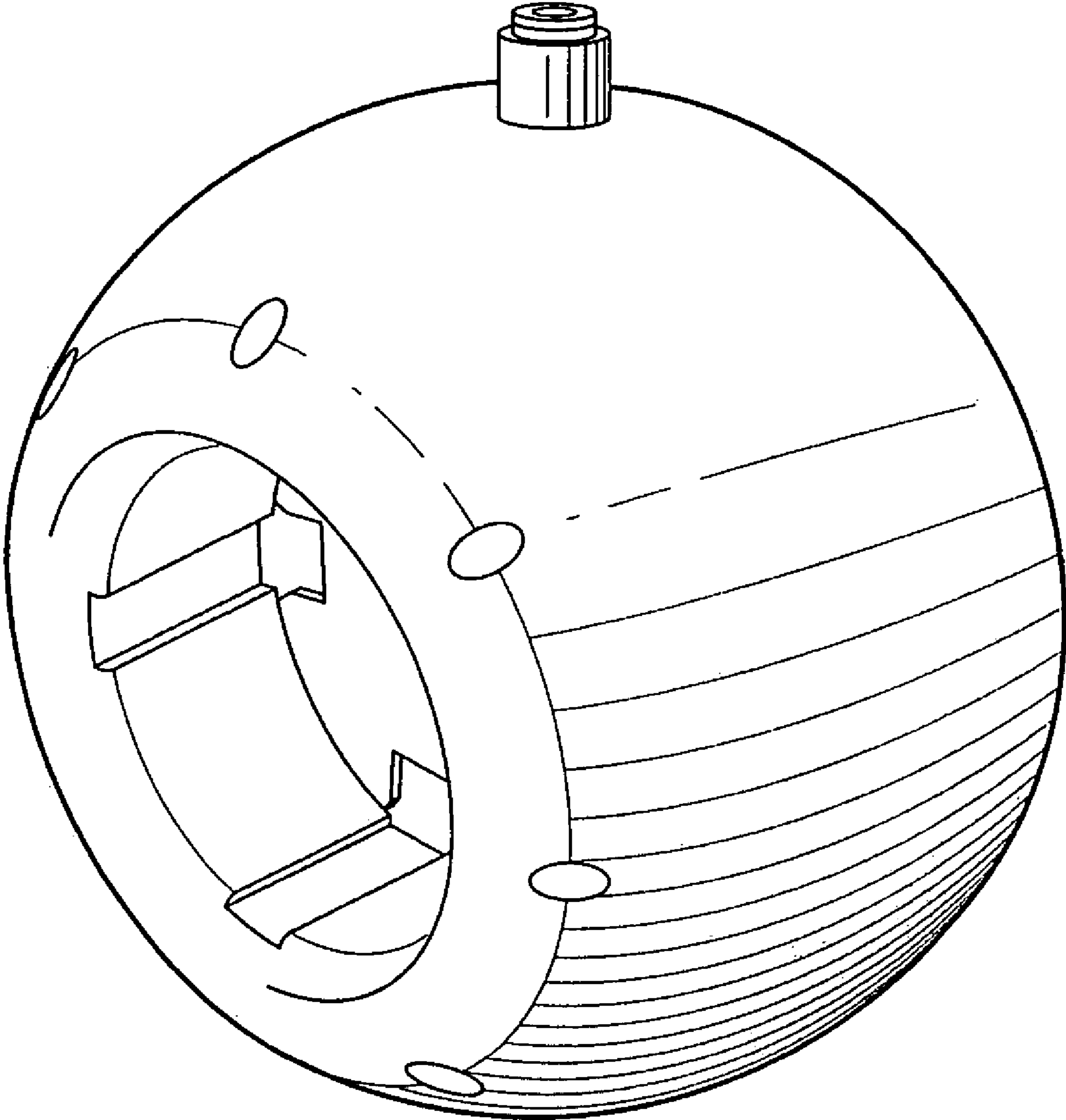


FIG. 1

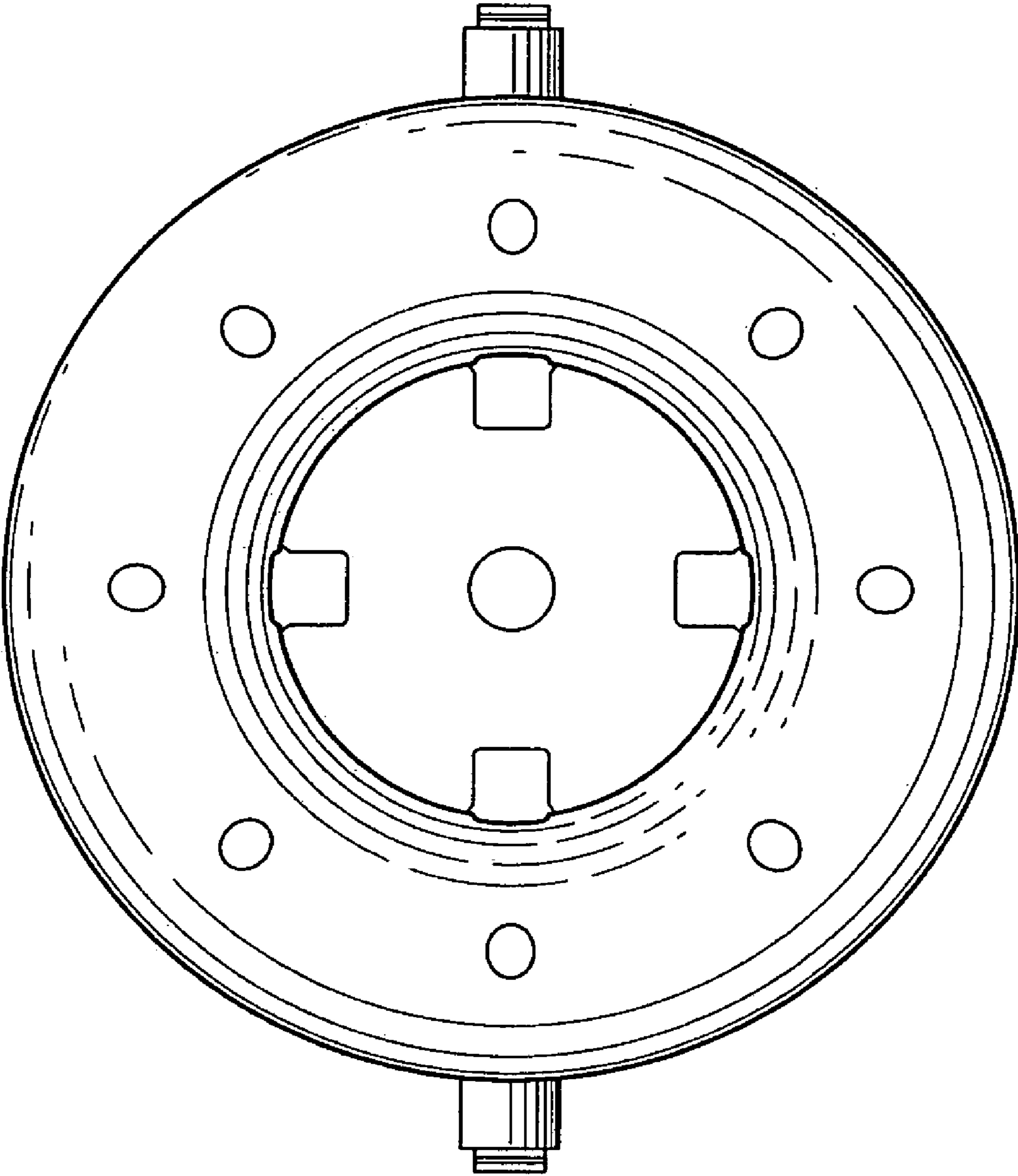


FIG. 2

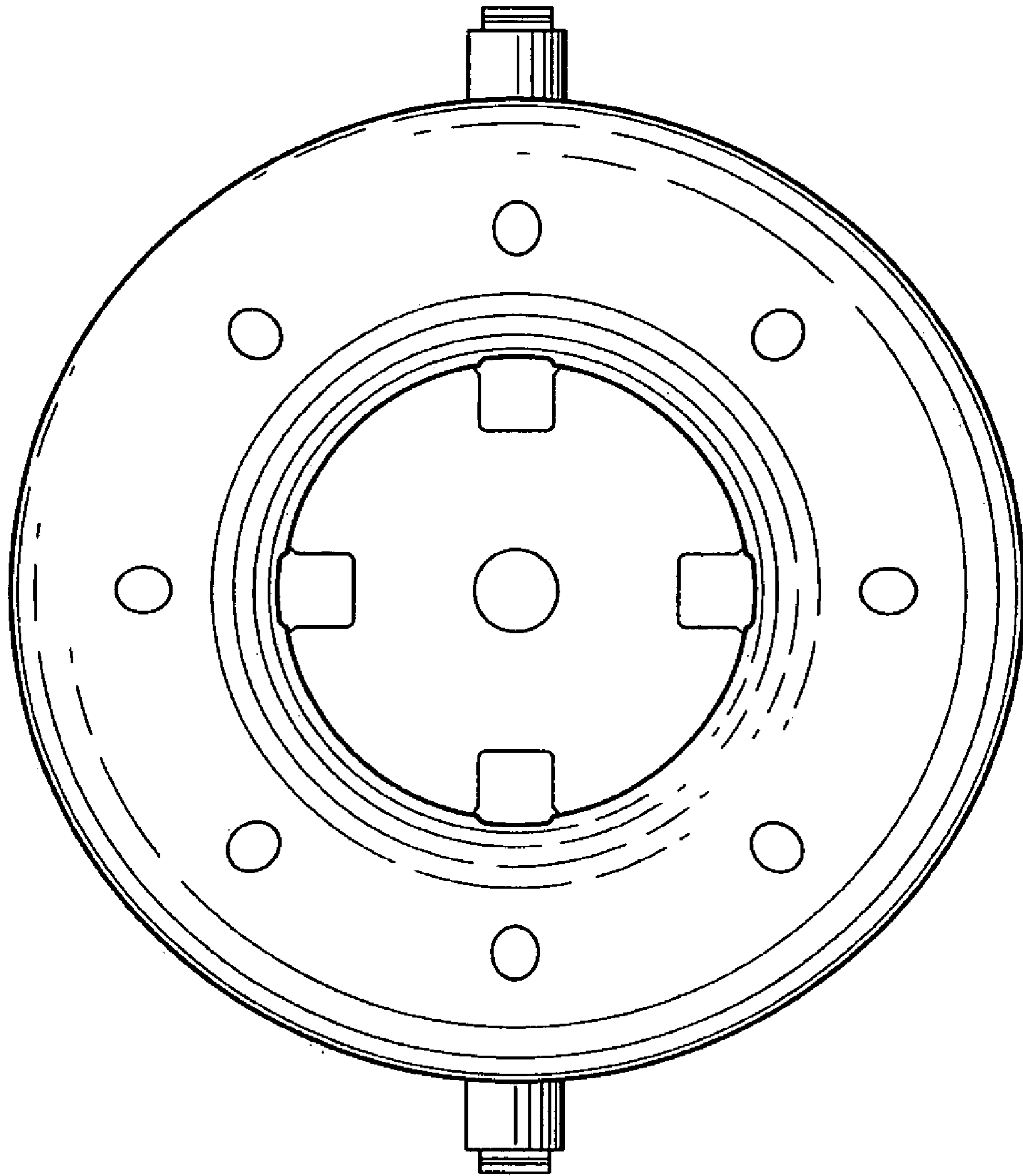


FIG. 3

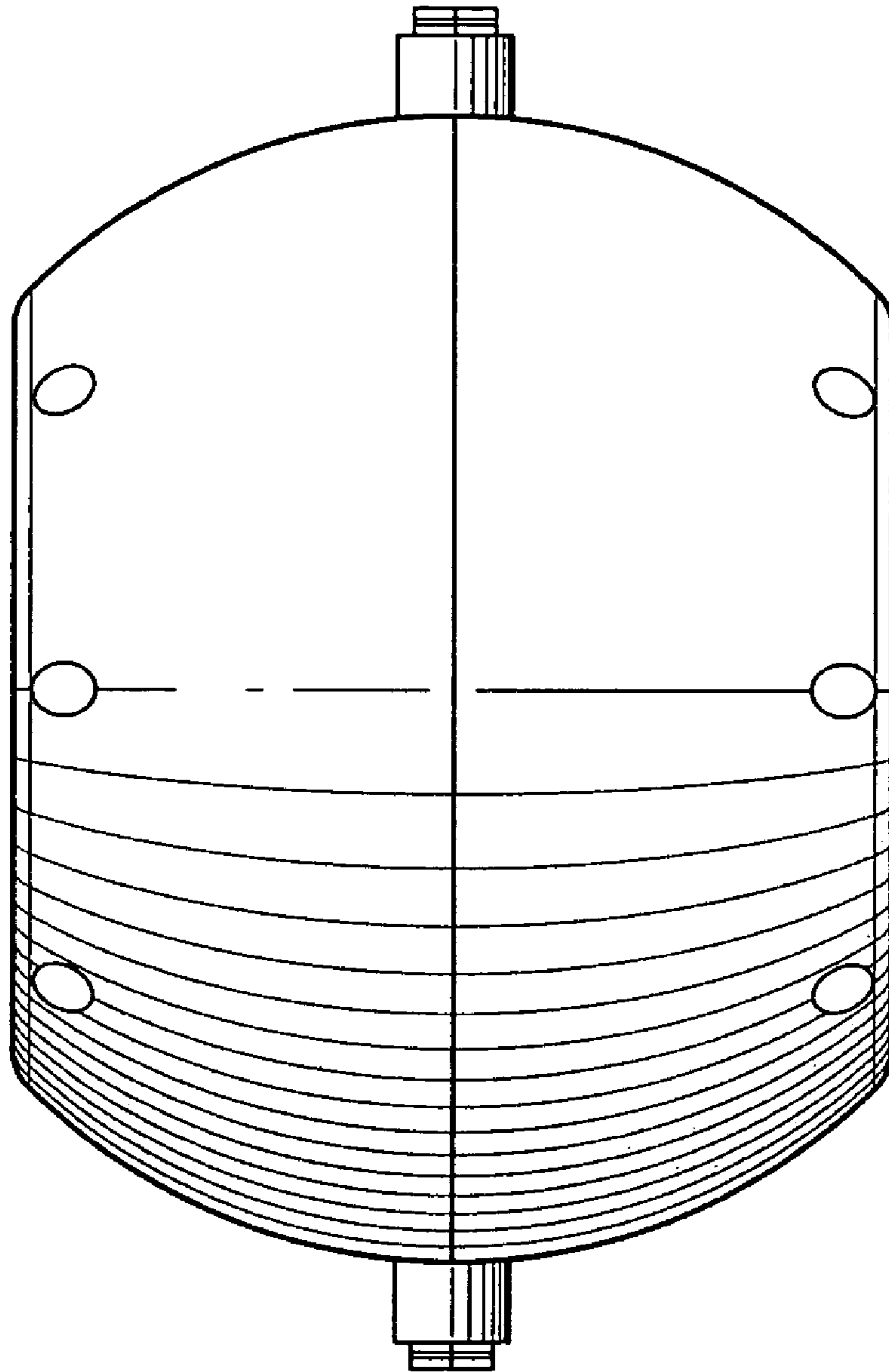


FIG. 4

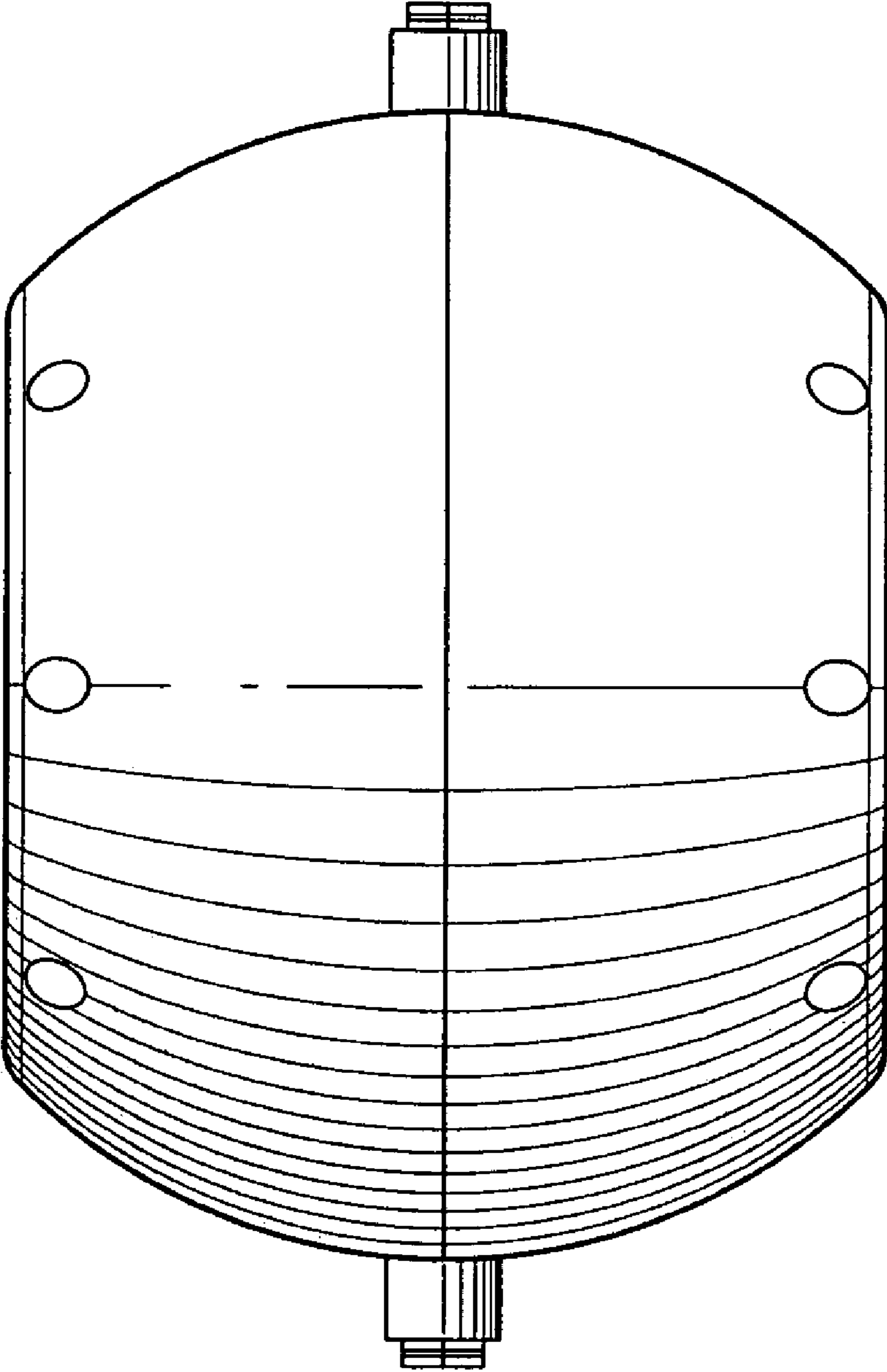


FIG. 5

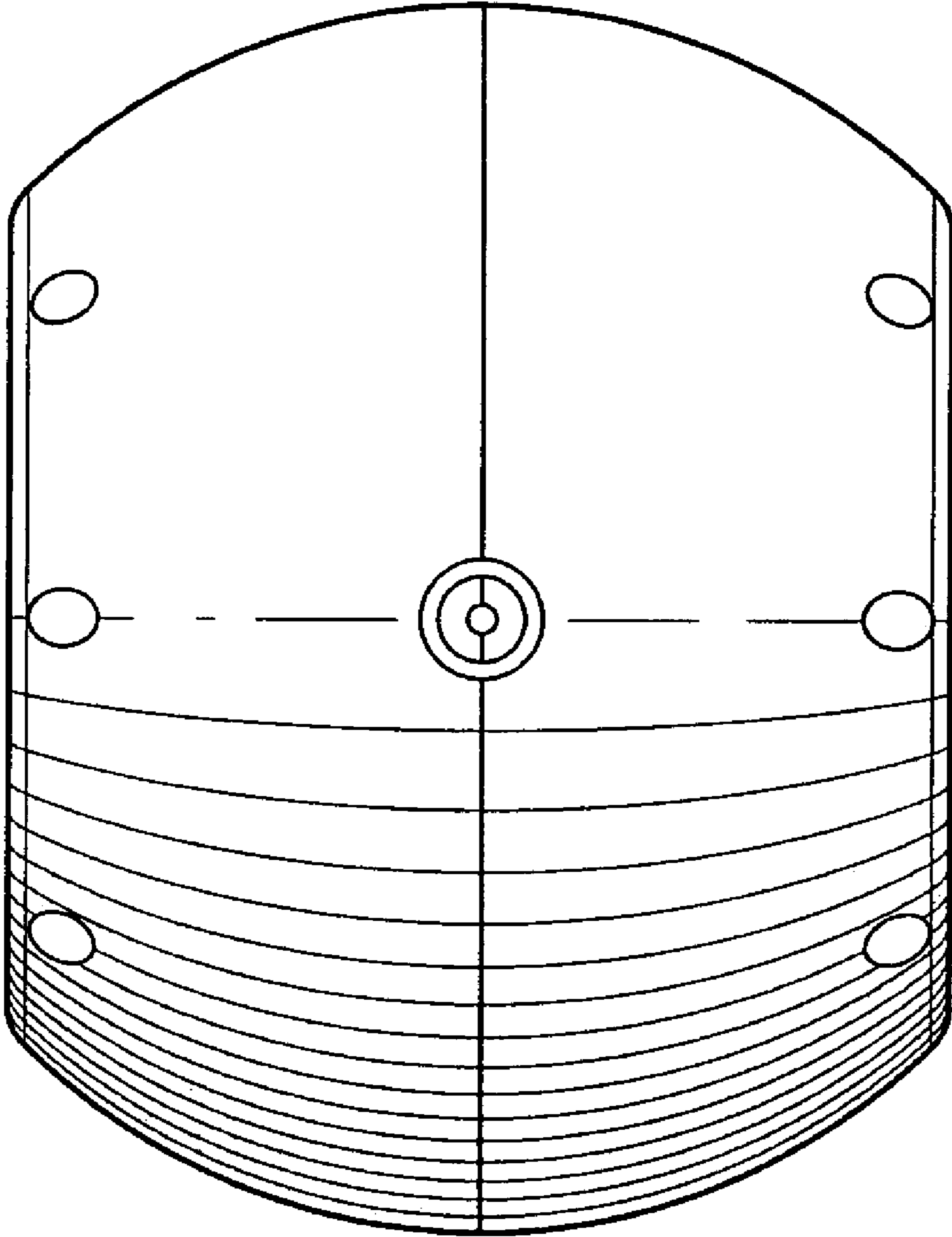


FIG. 6

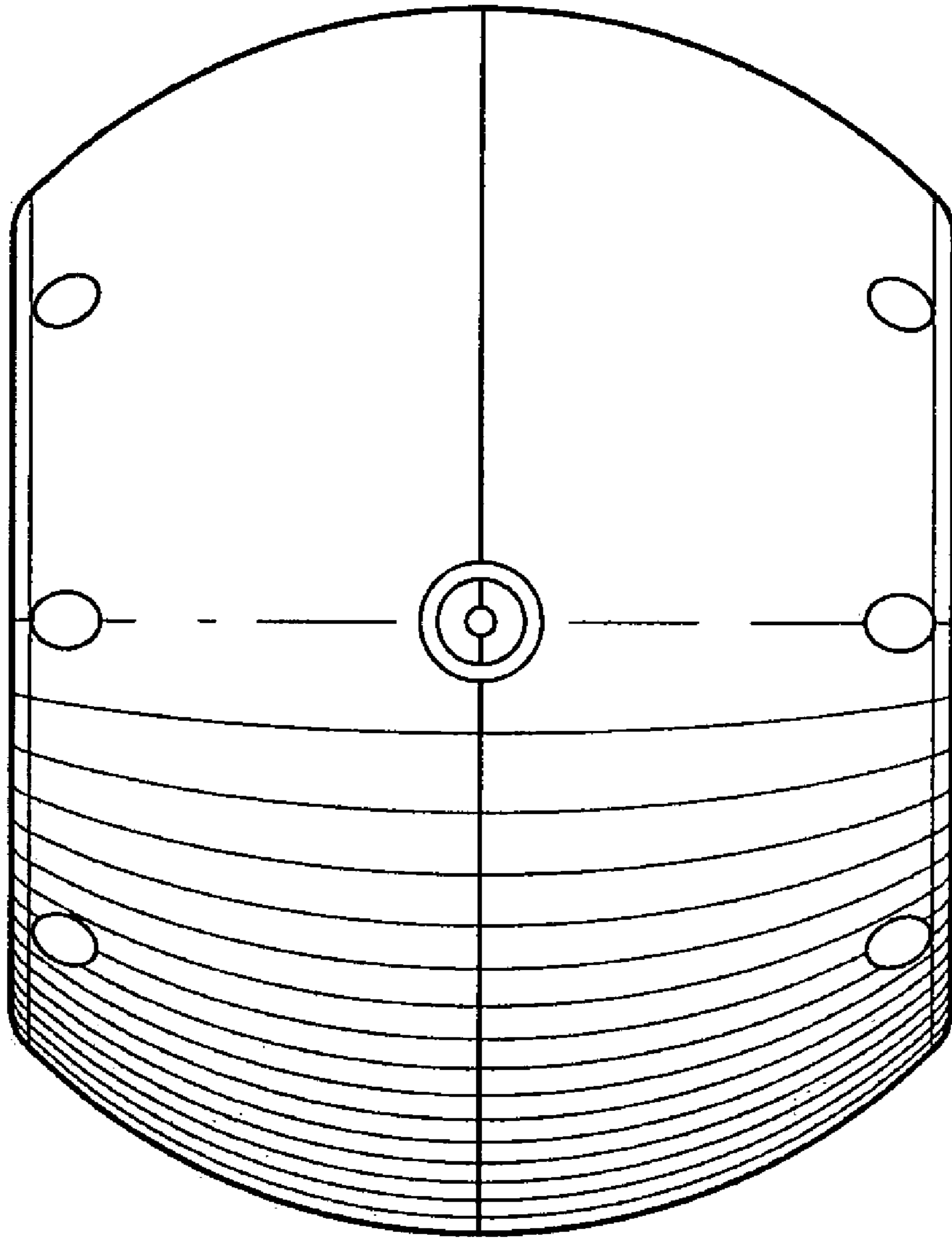


FIG. 7