



US00D546503S

(12) **United States Design Patent**
Kreiss

(10) **Patent No.:** **US D546,503 S**
(45) **Date of Patent:** **** Jul. 10, 2007**

- (54) **DESK**
 - (75) Inventor: **Michael Kreiss**, San Diego, CA (US)
 - (73) Assignee: **Kreiss Enterprises, Inc.**, San Diego, CA (US)
 - (**) Term: **14 Years**
 - (21) Appl. No.: **29/247,830**
 - (22) Filed: **Jul. 14, 2006**
 - (51) **LOC (8) Cl.** **06-04**
 - (52) **U.S. Cl.** **D28/422**
 - (58) **Field of Classification Search** D6/422-428,
D6/480, 484, 485, 487; 312/194-196, 223.1,
312/223.2
- See application file for complete search history.

(56) **References Cited**

U.S. PATENT DOCUMENTS

D51,157 S *	8/1917	Uhlemann	D6/439
D84,945 S *	8/1931	Lehr	D6/425
D119,462 S *	3/1940	Rudman	D6/428
4,870,630 A *	9/1989	Blake	369/12

OTHER PUBLICATIONS

A Distinguished Collection of English and French Furniture of the 18th Century, Catalog and Reference Book, Baker Furniture, Inc., Holland, Michigan, p. 111, "No. 3541 Desk (French 18th Century Group)".*

A Distinguished Collection of English and French Furniture of the 18th Century, Catalog and Reference Book, Baker Furniture, Inc., Holland Michigan, p. 36, "No. 19511/2 Cocktail Table".*

A Distinguished Collection of English and French Furniture of the 18th Century, Catalog and Reference Book, Baker Furniture, Inc., Holland Michigan, p. V, "Taylor Console".*

English and French Furniture of the 18th Century, Catalog and Reference Book, vol. 39, Baker Furniture, Inc., Holland, Michigan, p. 82, "No. 1099 Sideboard (18th Century Group No. 1099)".*

Sligh Furniture Co., Desks, Bookcases, Chairs Tables, Commodes, 1972/1973 Catalog, p. 34, "Writing Desk—No. 1580".*

* cited by examiner

Primary Examiner—Janice E. Seeger
Assistant Examiner—Zenia I. Bennett
 (74) *Attorney, Agent, or Firm*—Kleinberg & Lerner, LLP;
 Marvin H. Kleinberg

(57) **CLAIM**

The ornamental design for a desk, as shown and described.

DESCRIPTION

FIG. 1 is a front perspective view of the desk of the present invention;

FIG. 2 is a front view of the desk of FIG. 1;

FIG. 3 is a top view of the desk of FIG. 1;

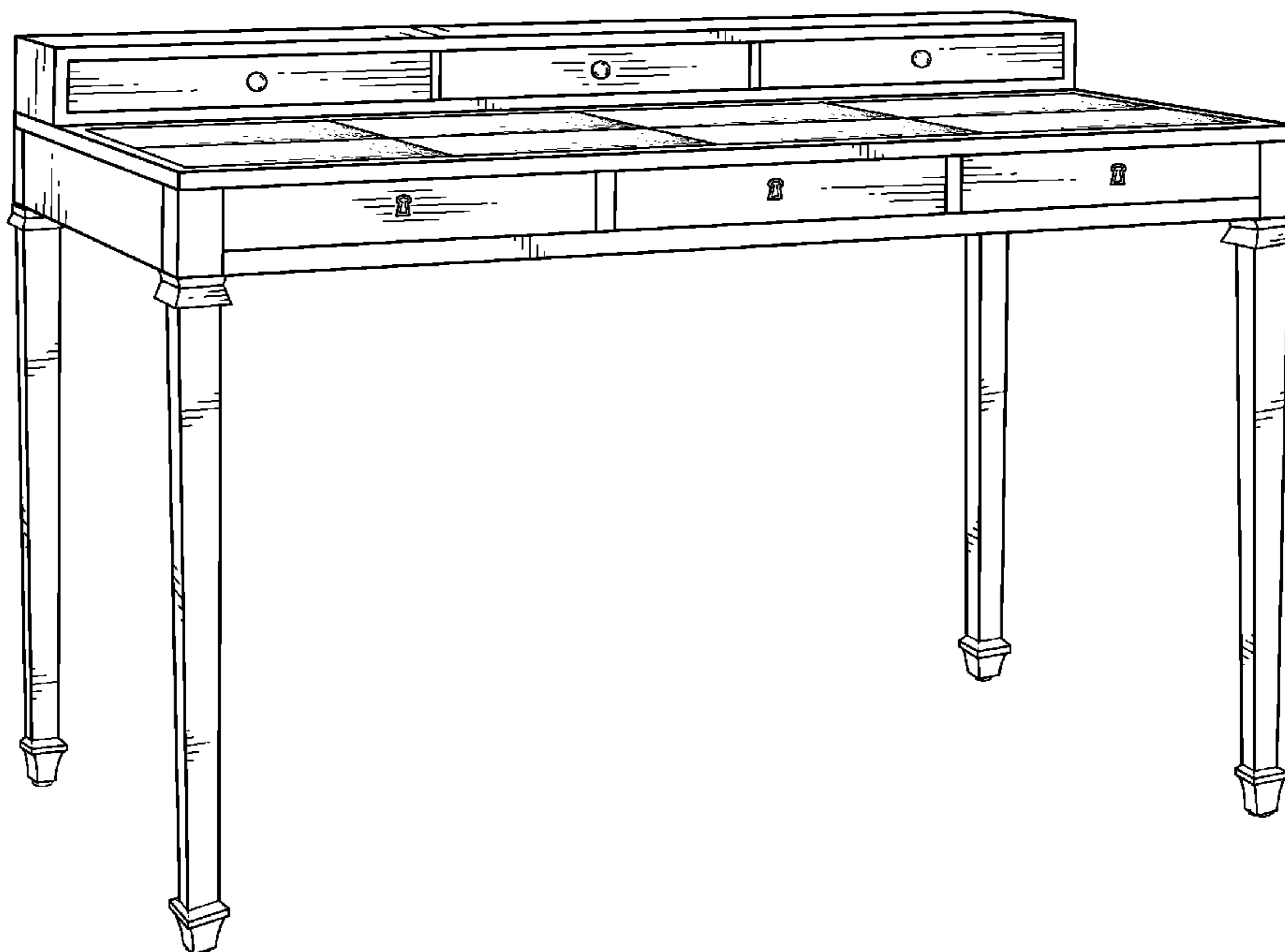
FIG. 4 is a side view of the desk of FIG. 1. The left and the right side views are identical;

FIG. 5 is a rear view of the desk of FIG. 1; and,

FIG. 6 is a bottom view of the desk of FIG. 1.

The desk of the present invention is symmetrical about a longitudinal axis and the left and right side views are identical.

1 Claim, 4 Drawing Sheets



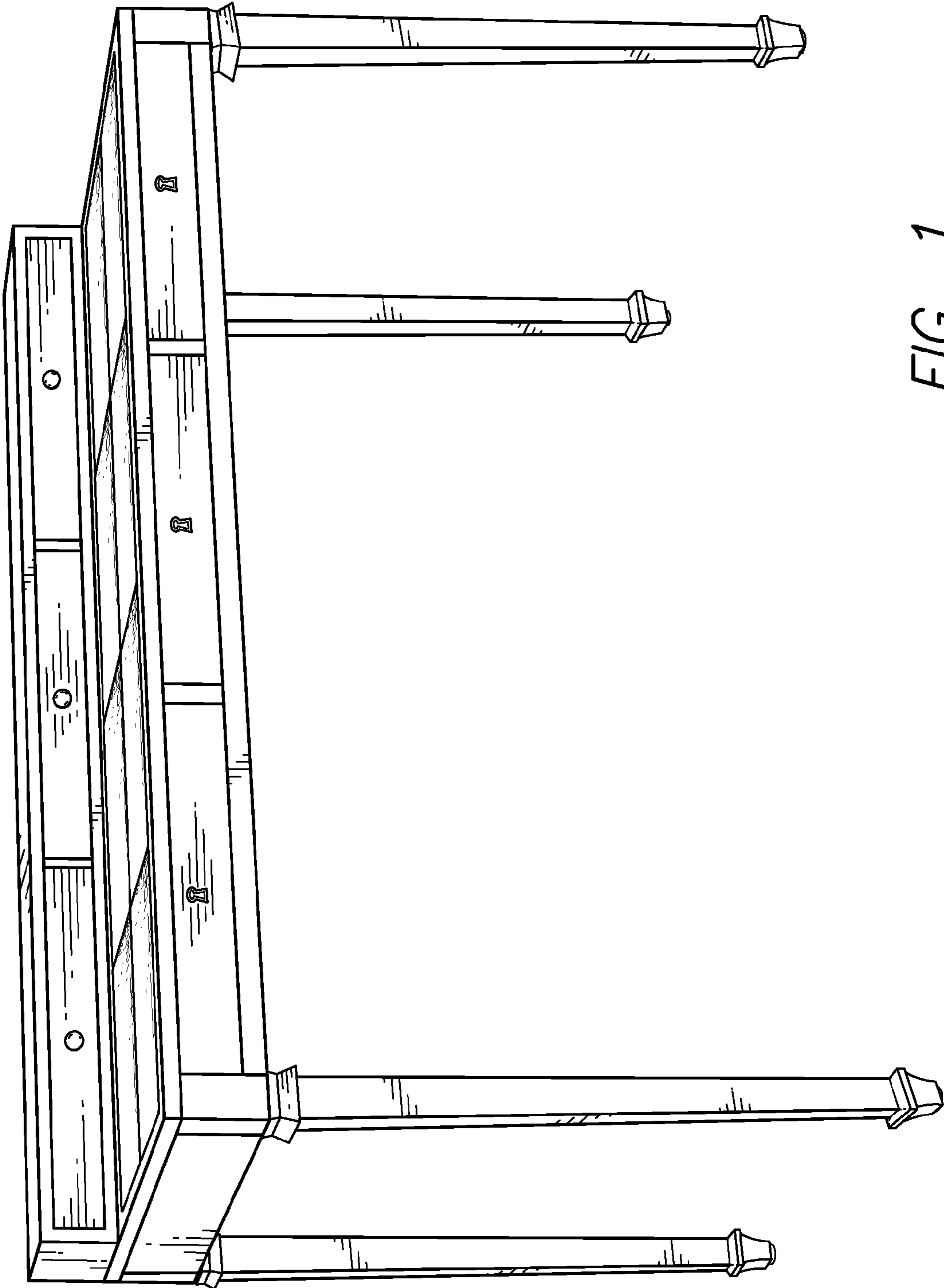


FIG. 1

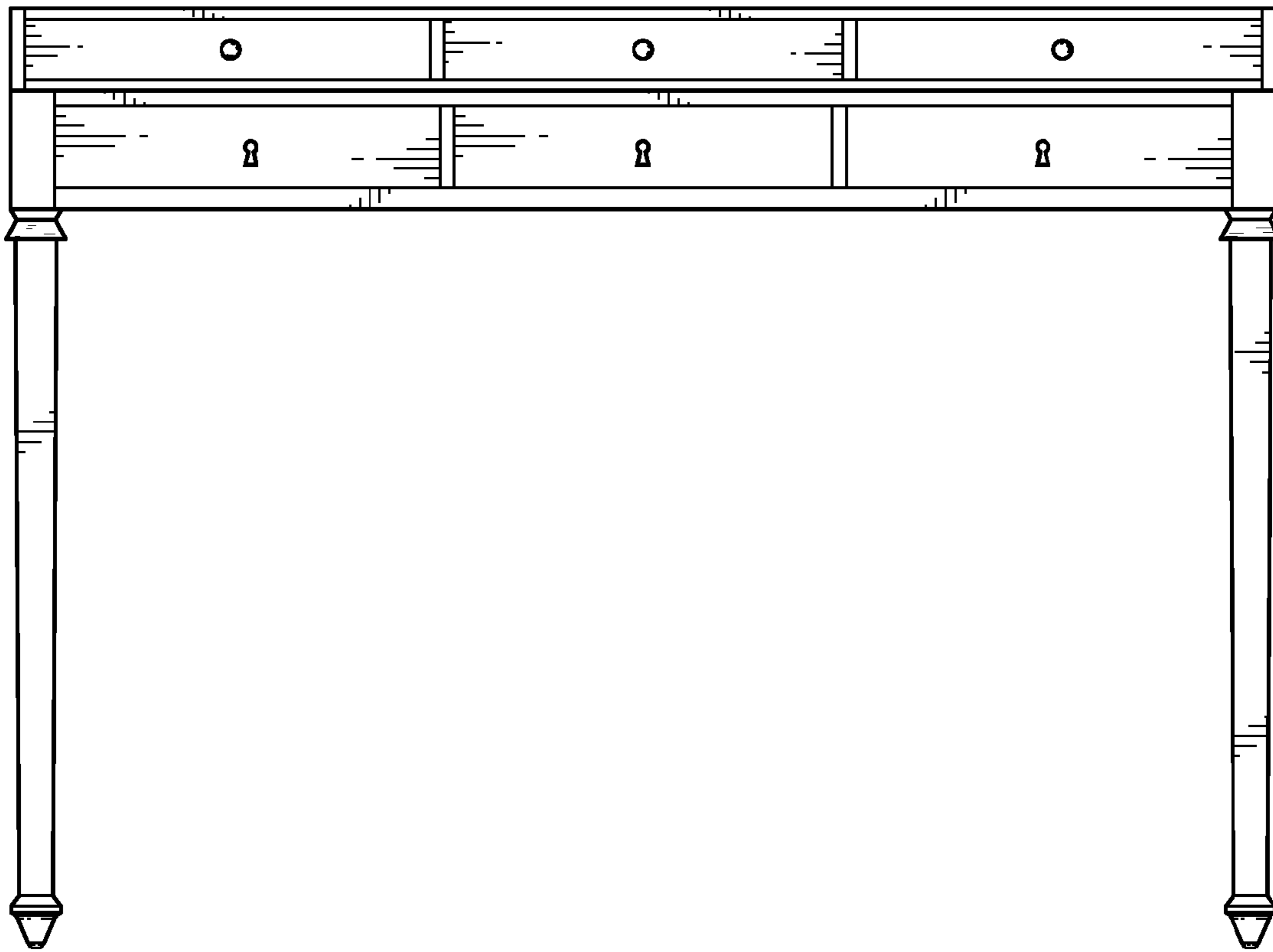


FIG. 2

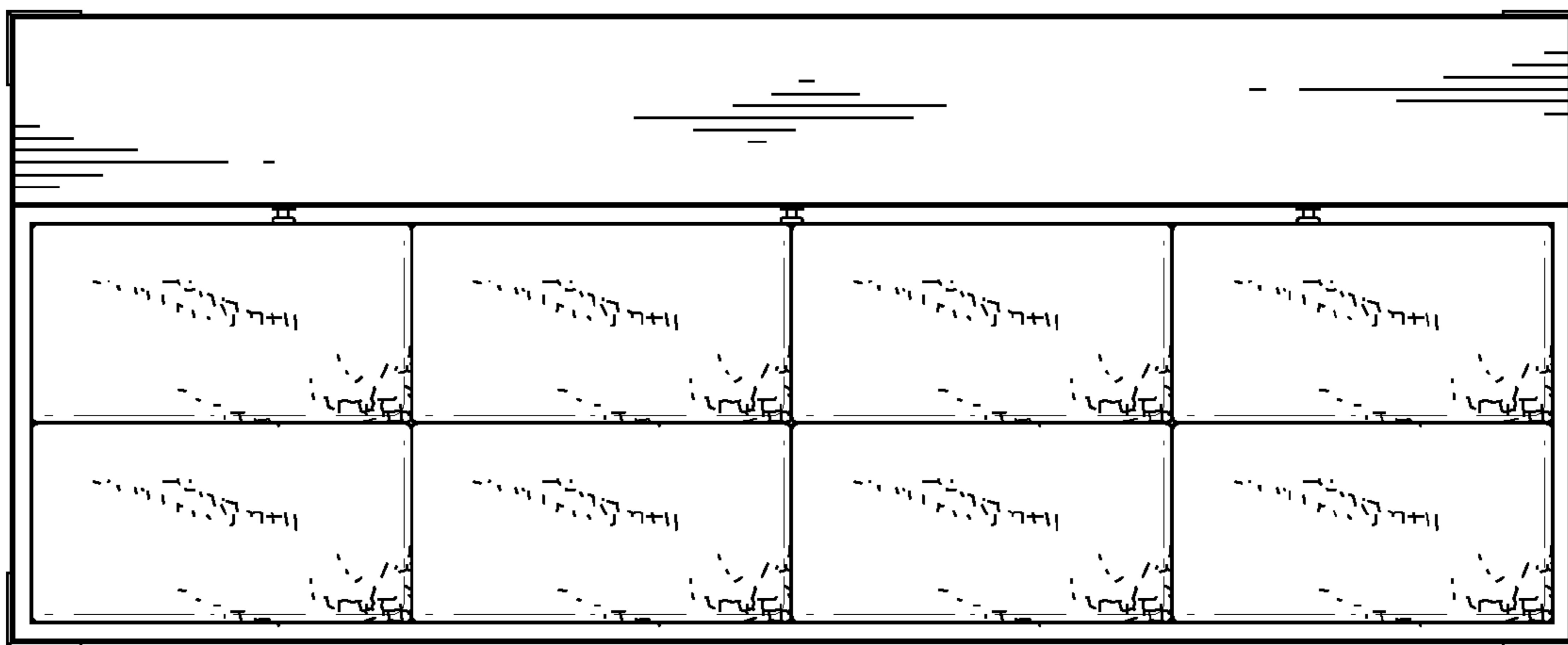


FIG. 3

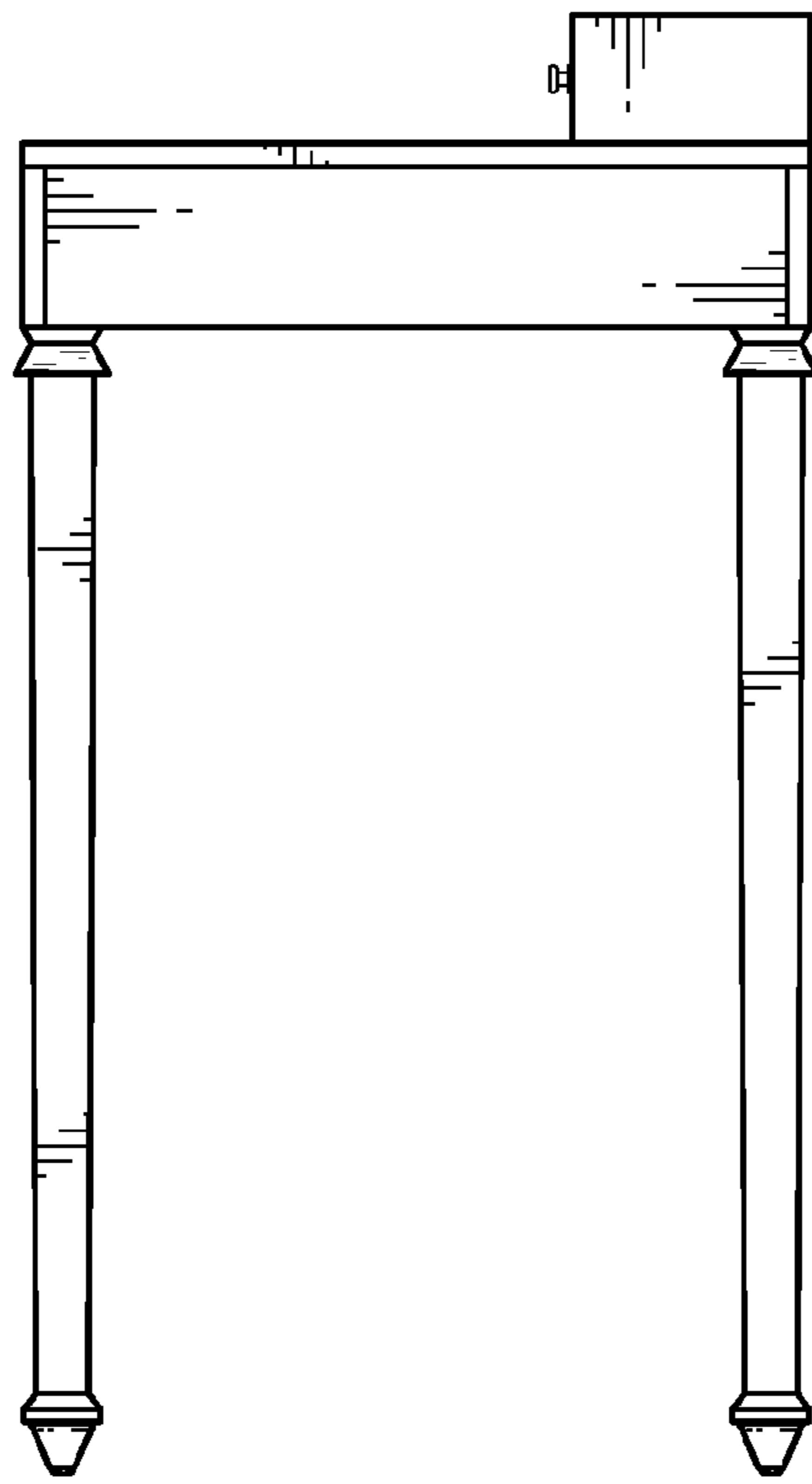


FIG. 4

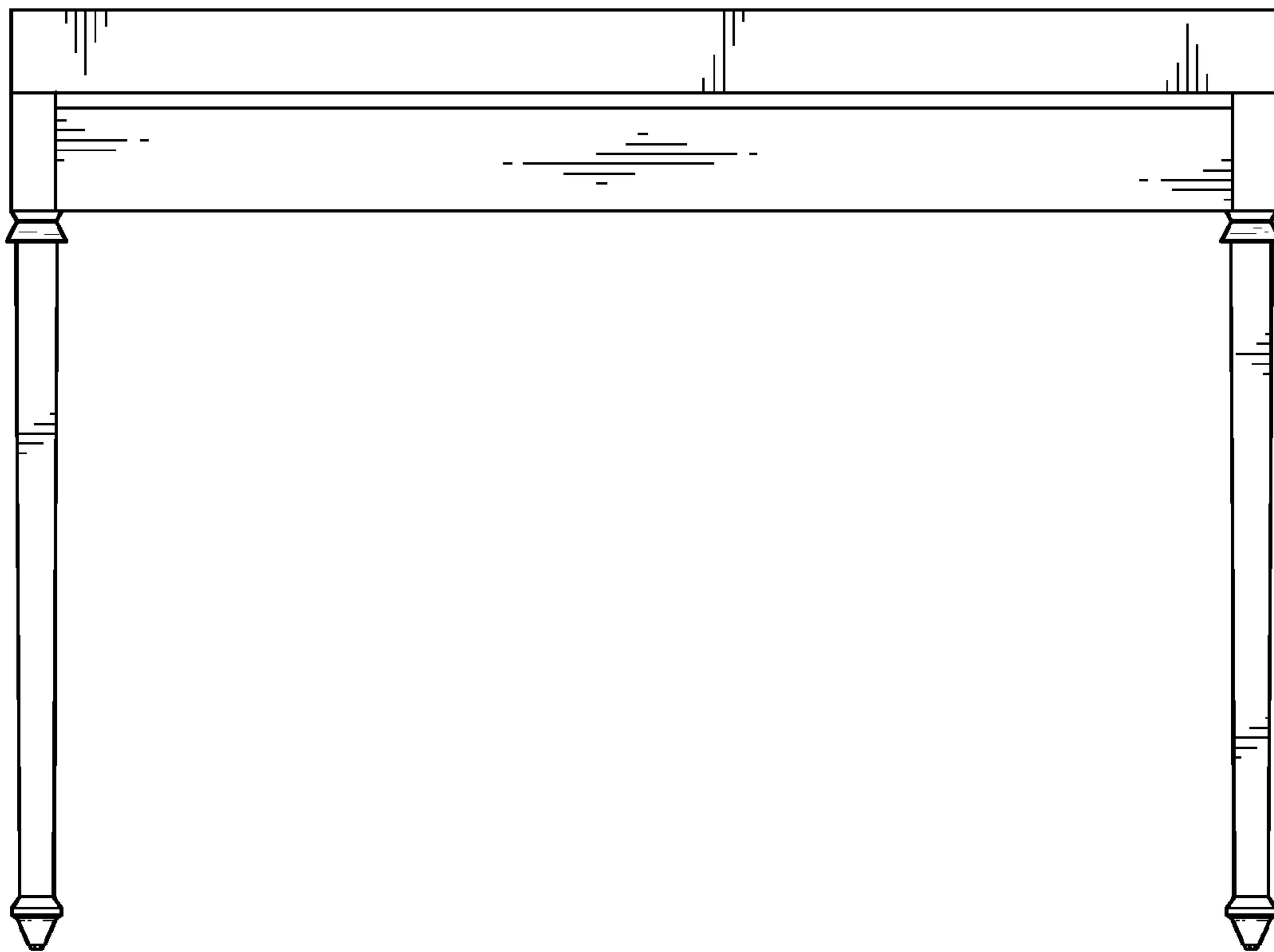


FIG. 5

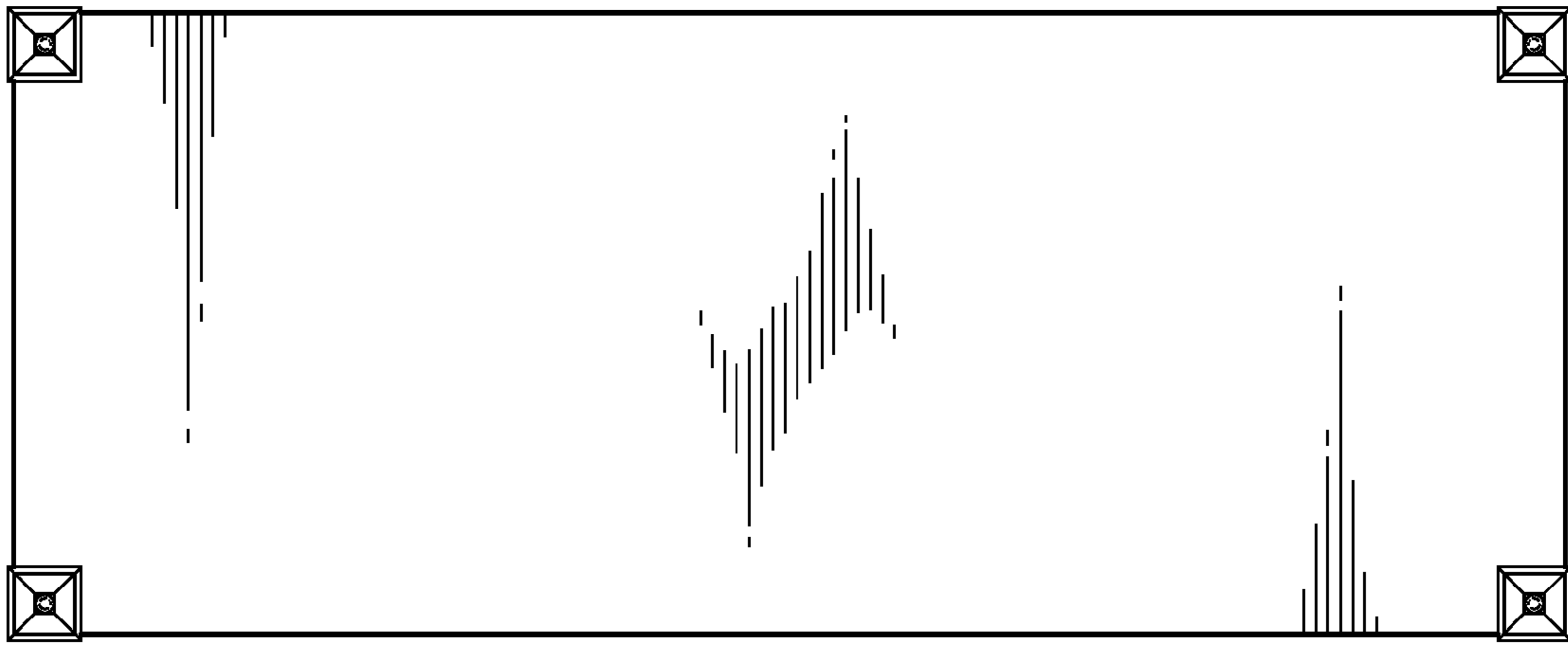


FIG. 6