

US00D546501S

(12) **United States Design Patent**
Fukasawa

(10) **Patent No.:** **US D546,501 S**

(45) **Date of Patent:** **** Jul. 10, 2007**

(54) **HAIR DRYER**

(75) Inventor: **Naoto Fukasawa**, Setagaya-ku (JP)

(73) Assignee: **Matsushita Electric Works, Ltd.**,
Osaka (JP)

(**) Term: **14 Years**

(21) Appl. No.: **29/262,853**

(22) Filed: **Jul. 12, 2006**

(30) **Foreign Application Priority Data**

Jan. 16, 2006 (JP) 2006-000534

(51) **LOC (8) Cl.** **28-03**

(52) **U.S. Cl.** **D28/13**

(58) **Field of Classification Search** D28/12-19;
34/96-101, 201; 392/380, 383, 384, 385,
392/381, 382; 219/222

See application file for complete search history.

(56) **References Cited**

U.S. PATENT DOCUMENTS

D252,952 S *	9/1979	Wistrand	D28/13
D253,012 S *	9/1979	Rakocy et al.	D28/16
4,198,557 A *	4/1980	Crowley	392/384
D294,873 S *	3/1988	Ogawa et al.	D28/13
D301,231 S *	5/1989	Yoshiharu	D14/147
D443,723 S *	6/2001	Kishimoto	D28/13
6,354,016 B1 *	3/2002	Cafaro	34/98
D472,015 S *	3/2003	Young	D28/13
2004/0078992 A1 *	4/2004	Fujiwara	34/96

2006/0018637 A1* 1/2006 Lin 392/384

* cited by examiner

Primary Examiner—Janice E. Seeger

Assistant Examiner—Zenia Bennett

(74) *Attorney, Agent, or Firm*—Osha Liang LLP

(57) **CLAIM**

The ornamental design for a hair dryer, as shown and described.

DESCRIPTION

FIG. 1 is a perspective view of a hair dryer showing my new design.

FIG. 2 is a front elevation view.

FIG. 3 is a rear elevation view.

FIG. 4 is a left side elevation view.

FIG. 5 is a right side elevation view.

FIG. 6 is a top plan view.

FIG. 7 is a bottom plan view.

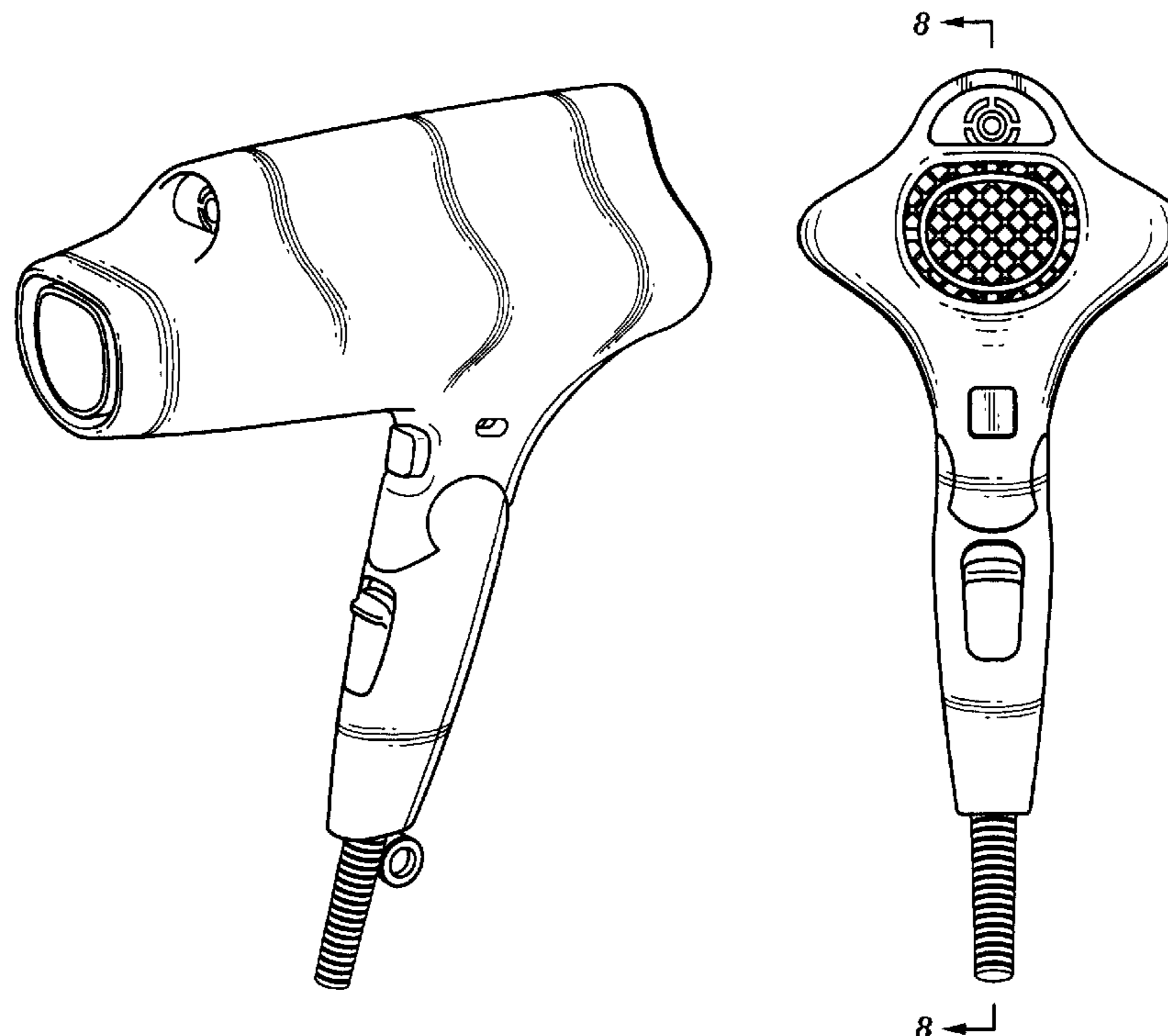
FIG. 8 is a cross-sectional view taken along Line 8-8 of FIG. 2.

FIG. 9 is a cross-sectional view taken along Line 9-9 of FIG. 5.

FIG. 10 is a cross-sectional view taken along Line 10-10 of FIG. 5; and,

FIG. 11 is a right side elevation view showing the hair dryer in an alternate position.

1 Claim, 7 Drawing Sheets



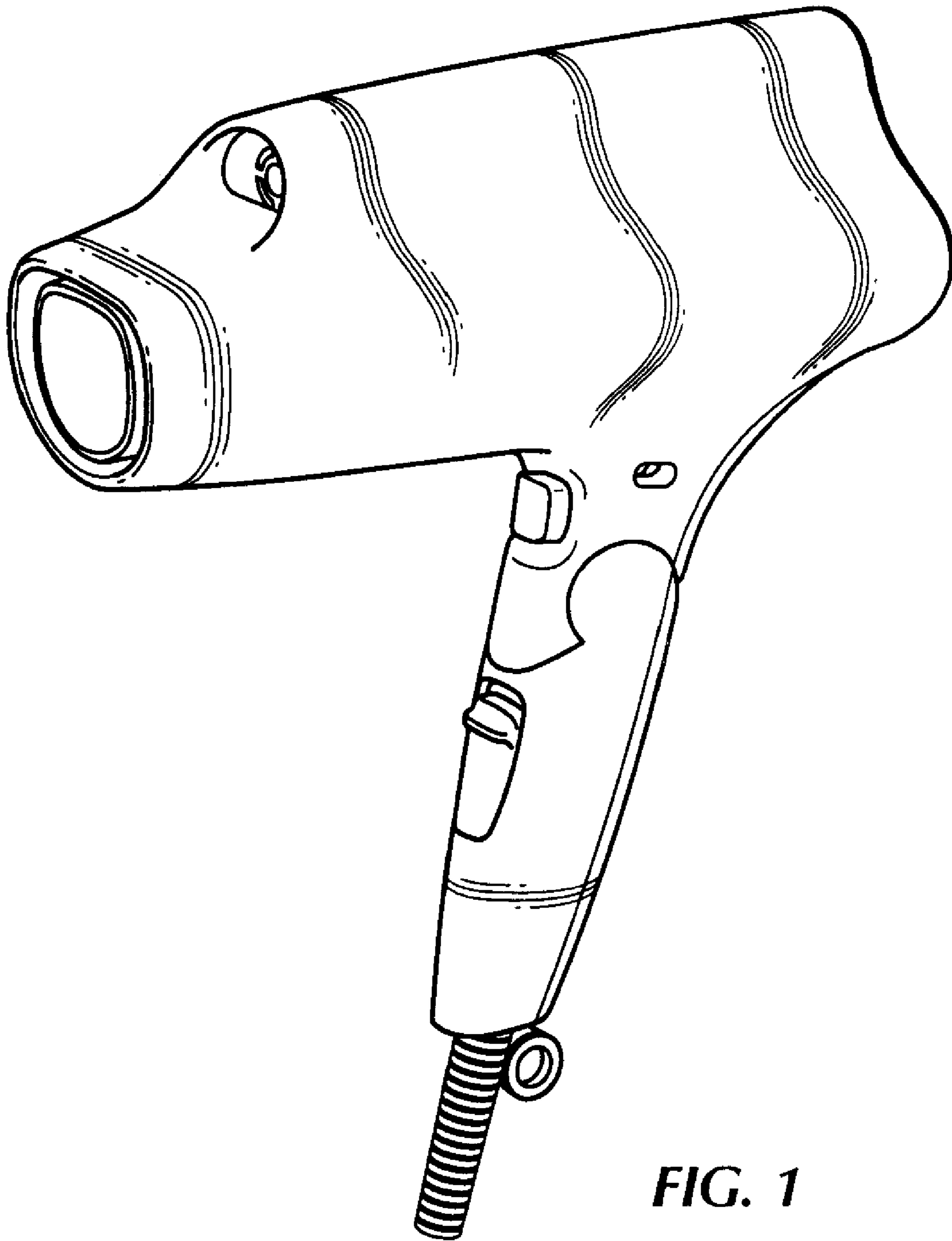


FIG. 1

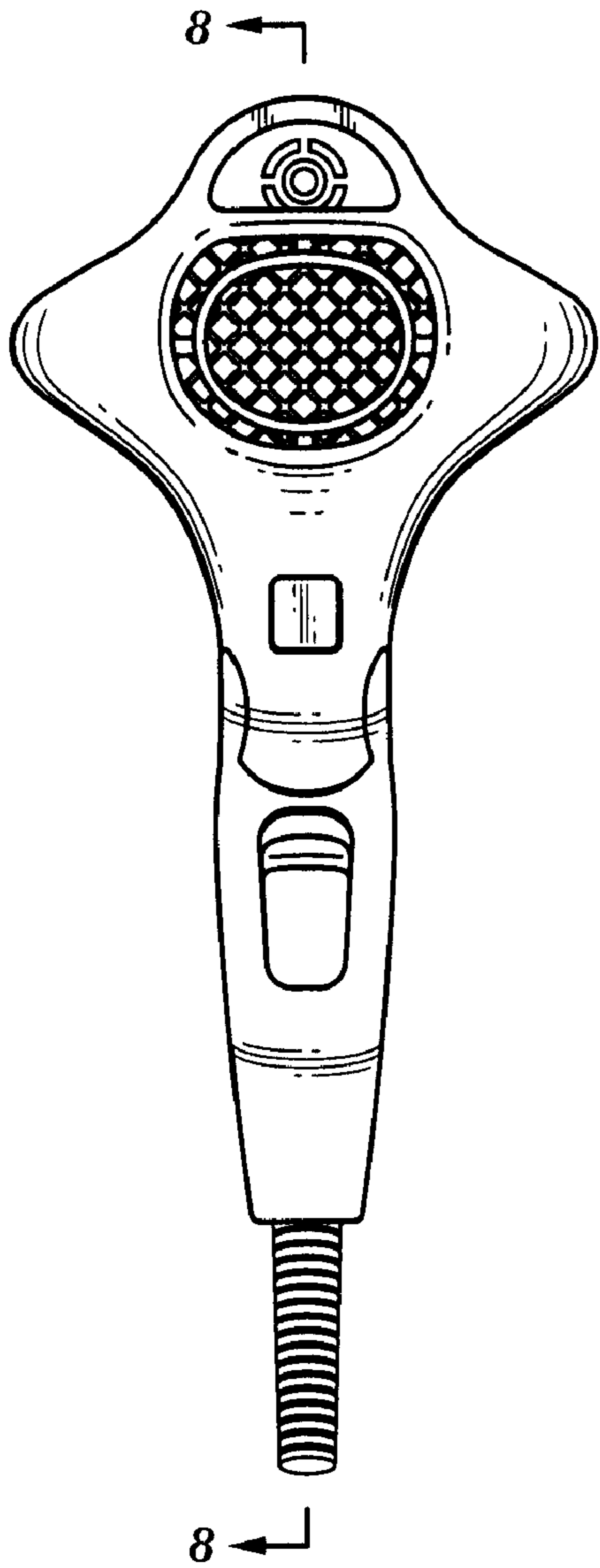


FIG. 2

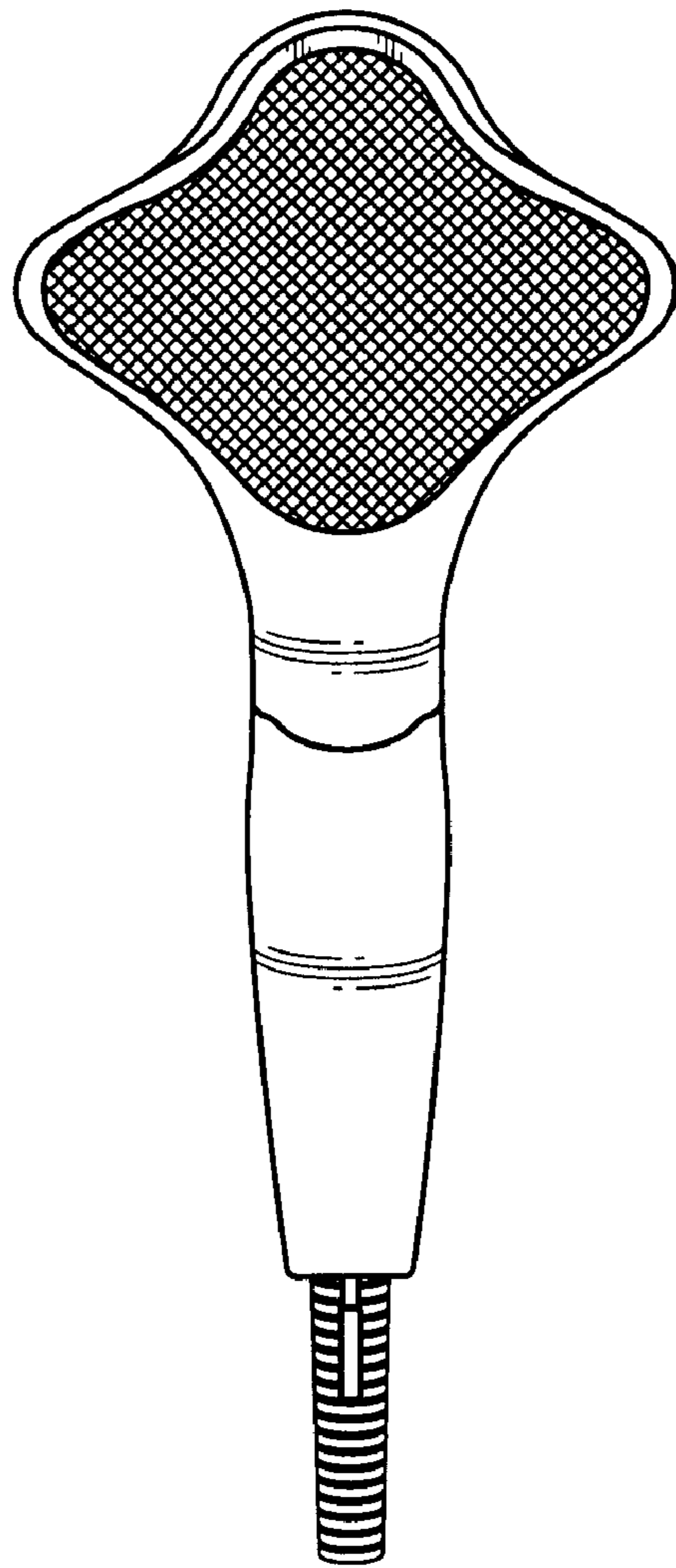


FIG. 3

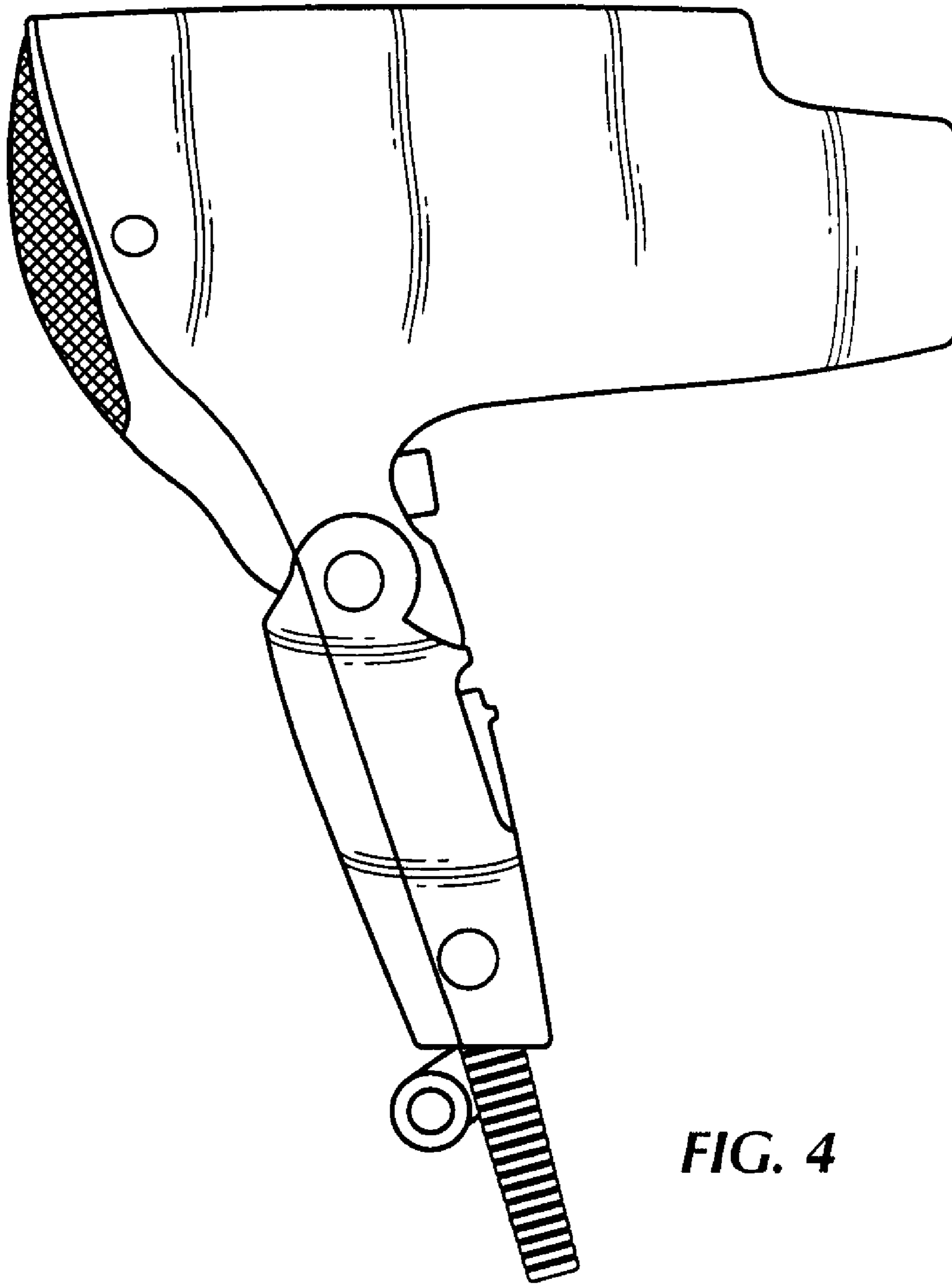
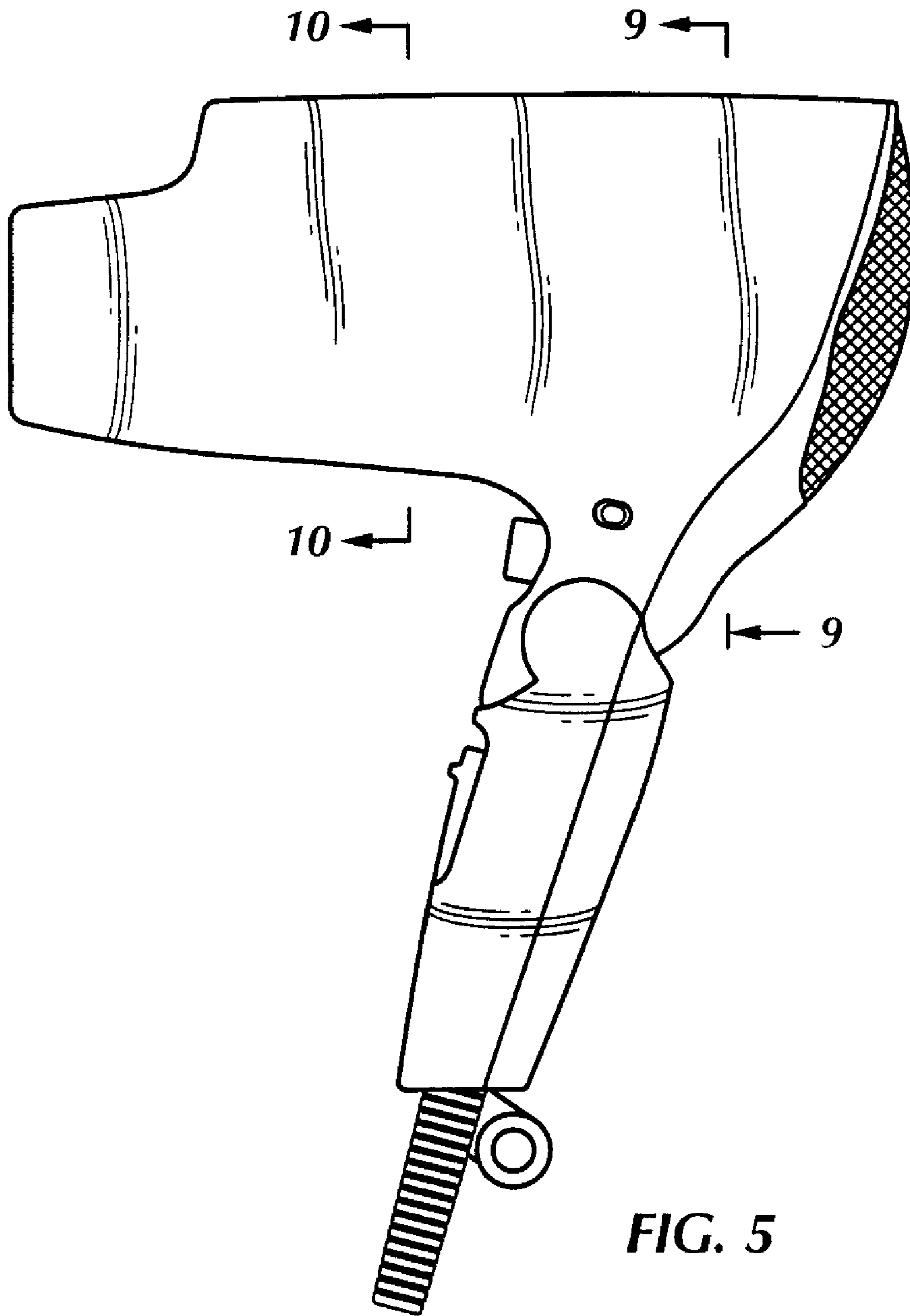


FIG. 4



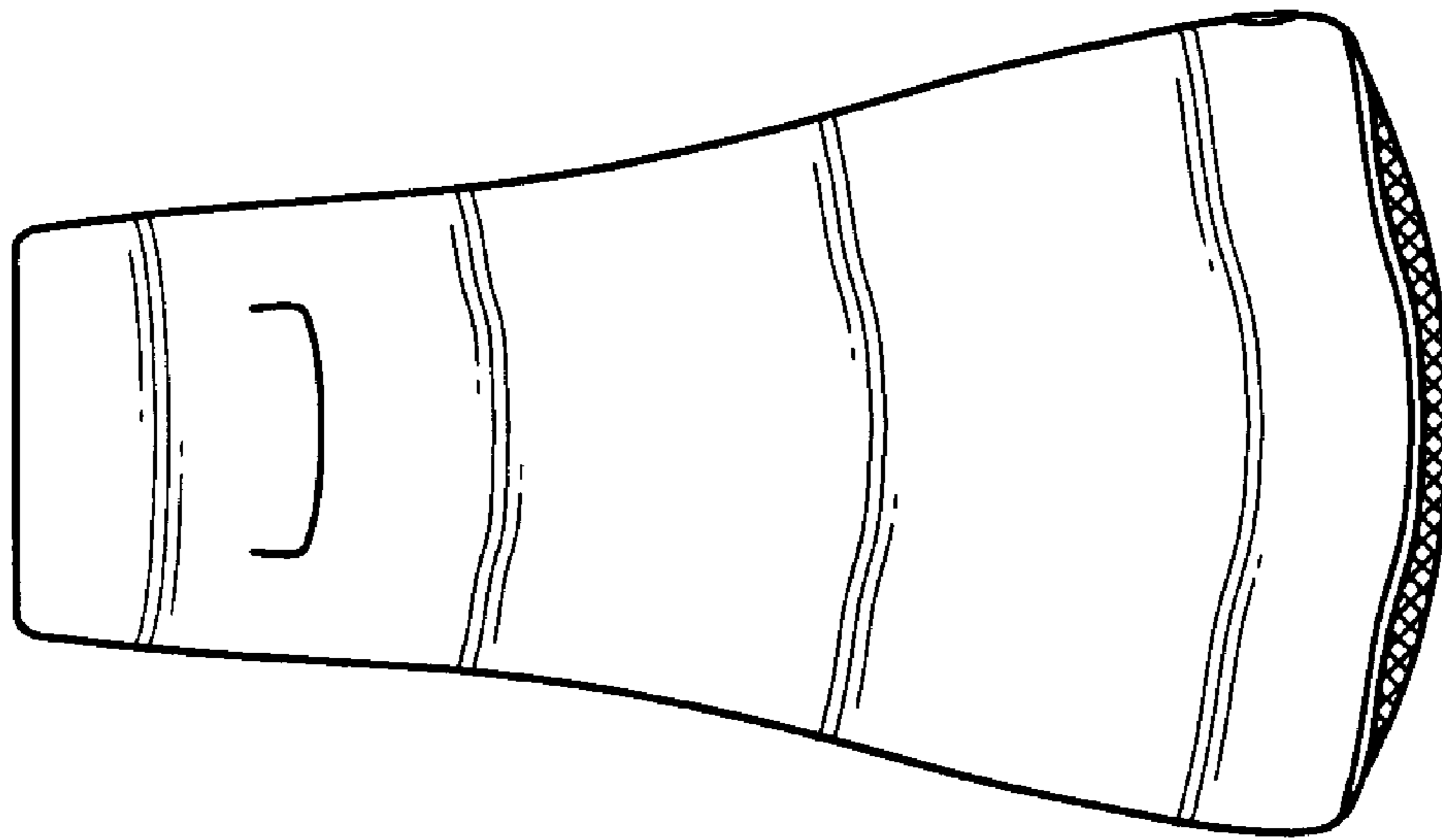


FIG. 6

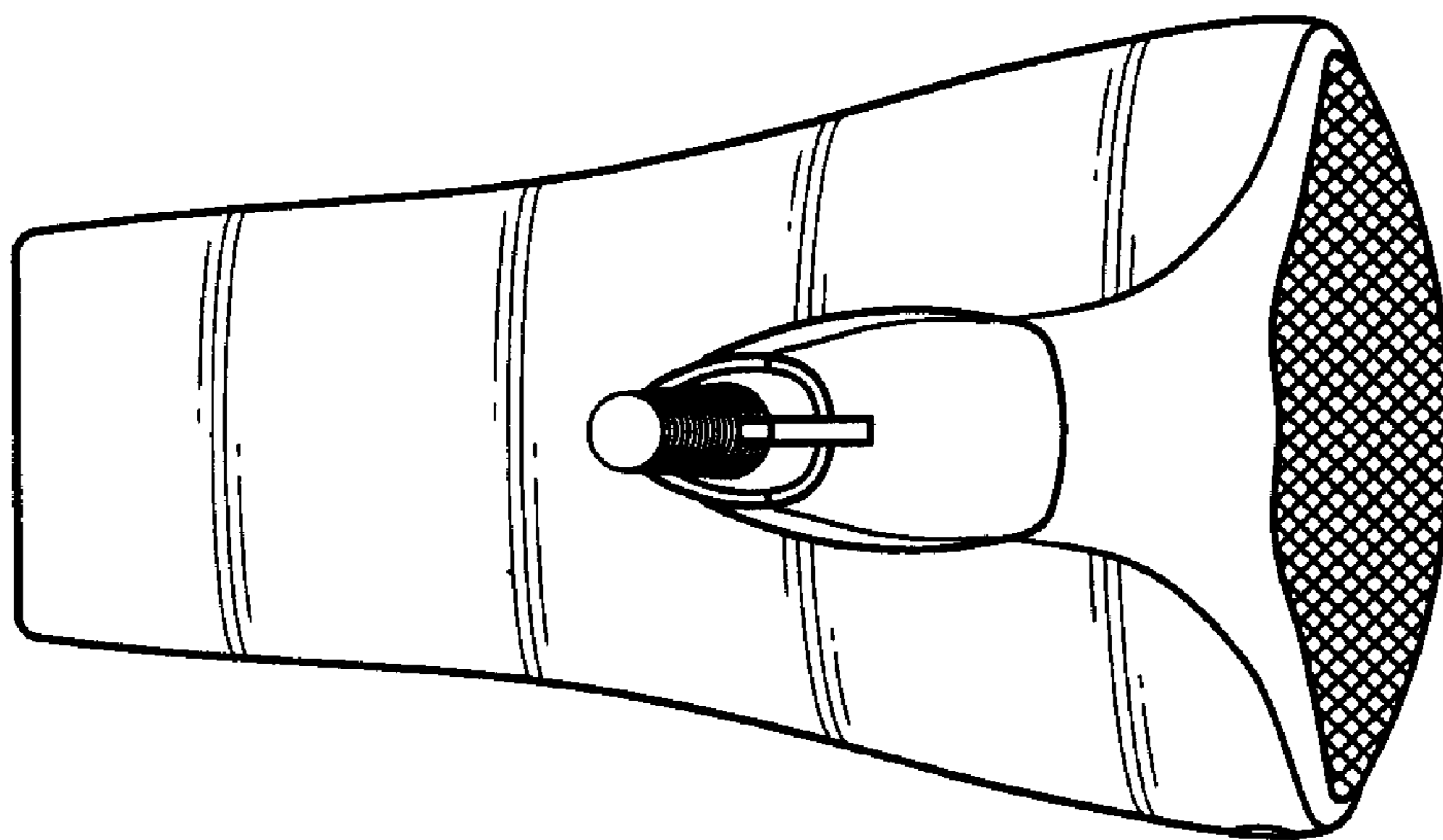


FIG. 7

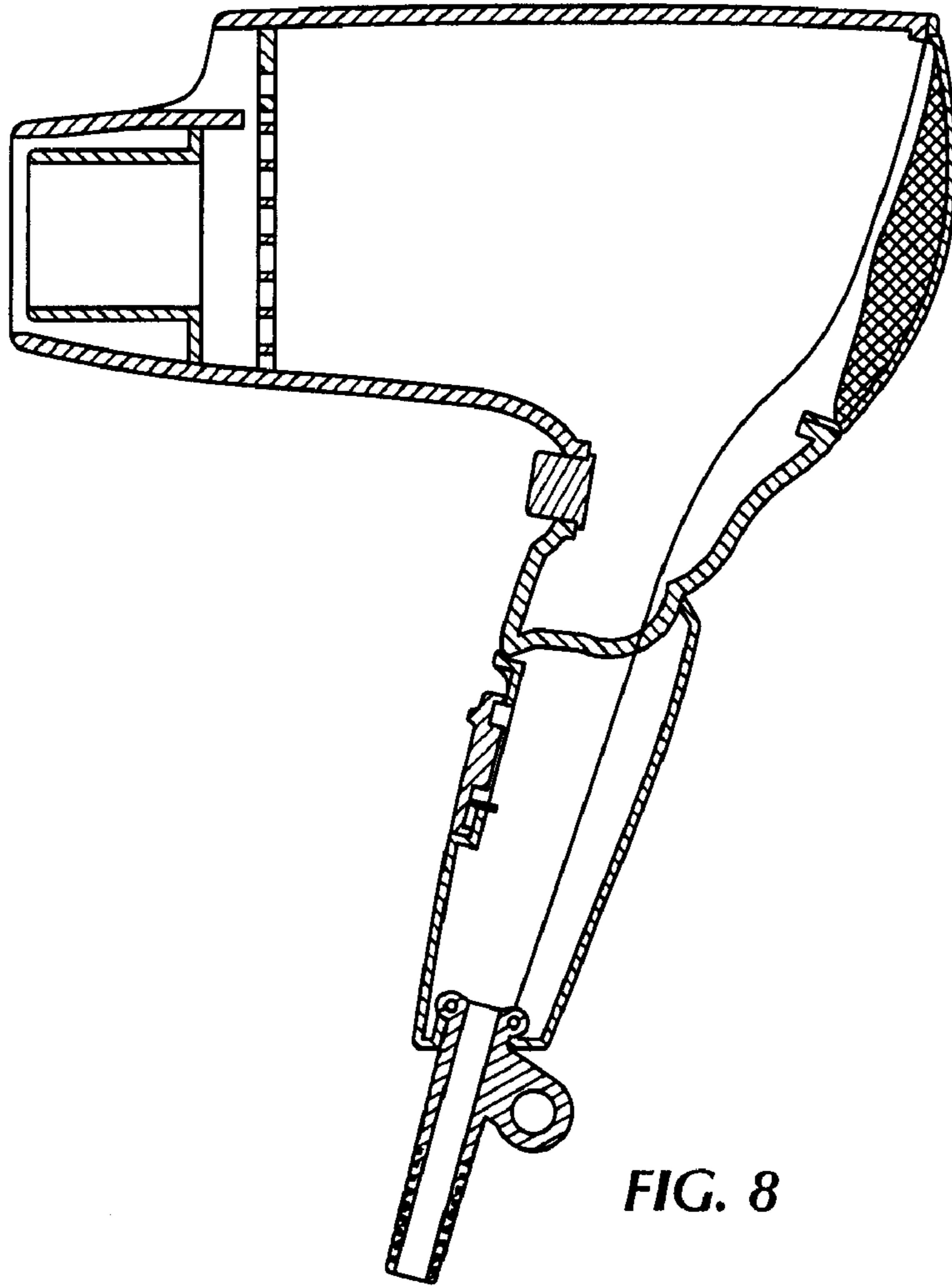


FIG. 8

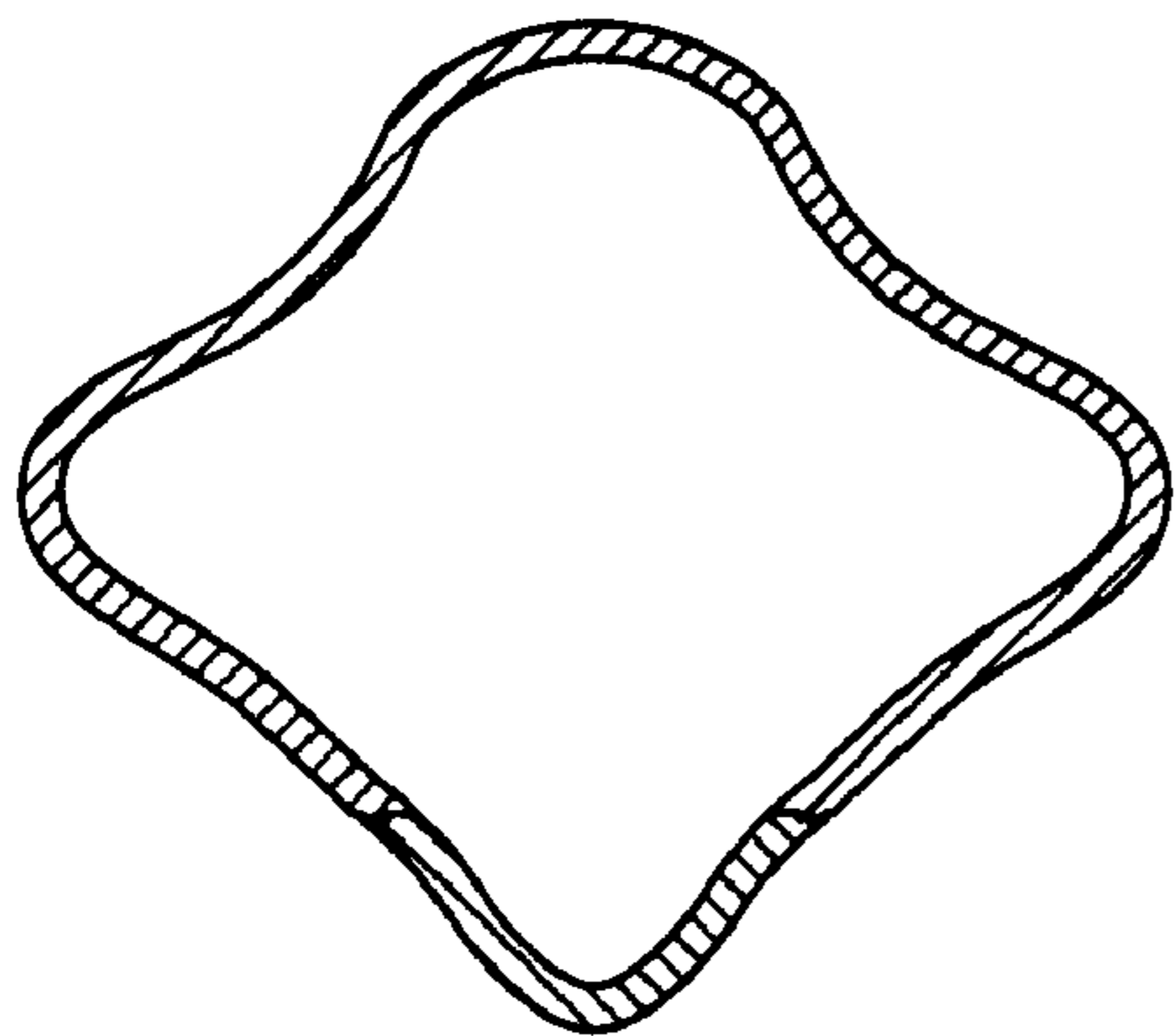


FIG. 9

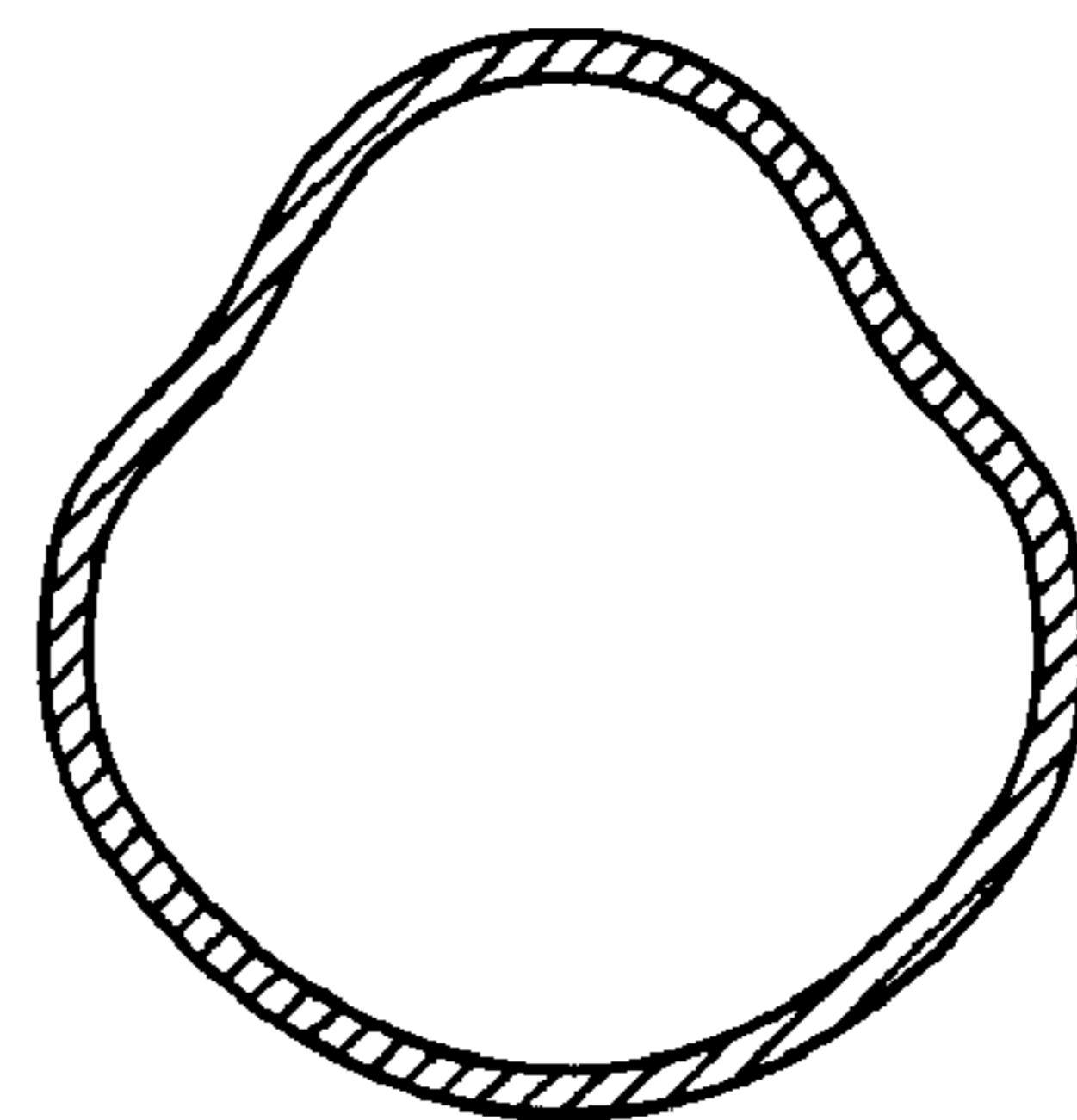


FIG. 10

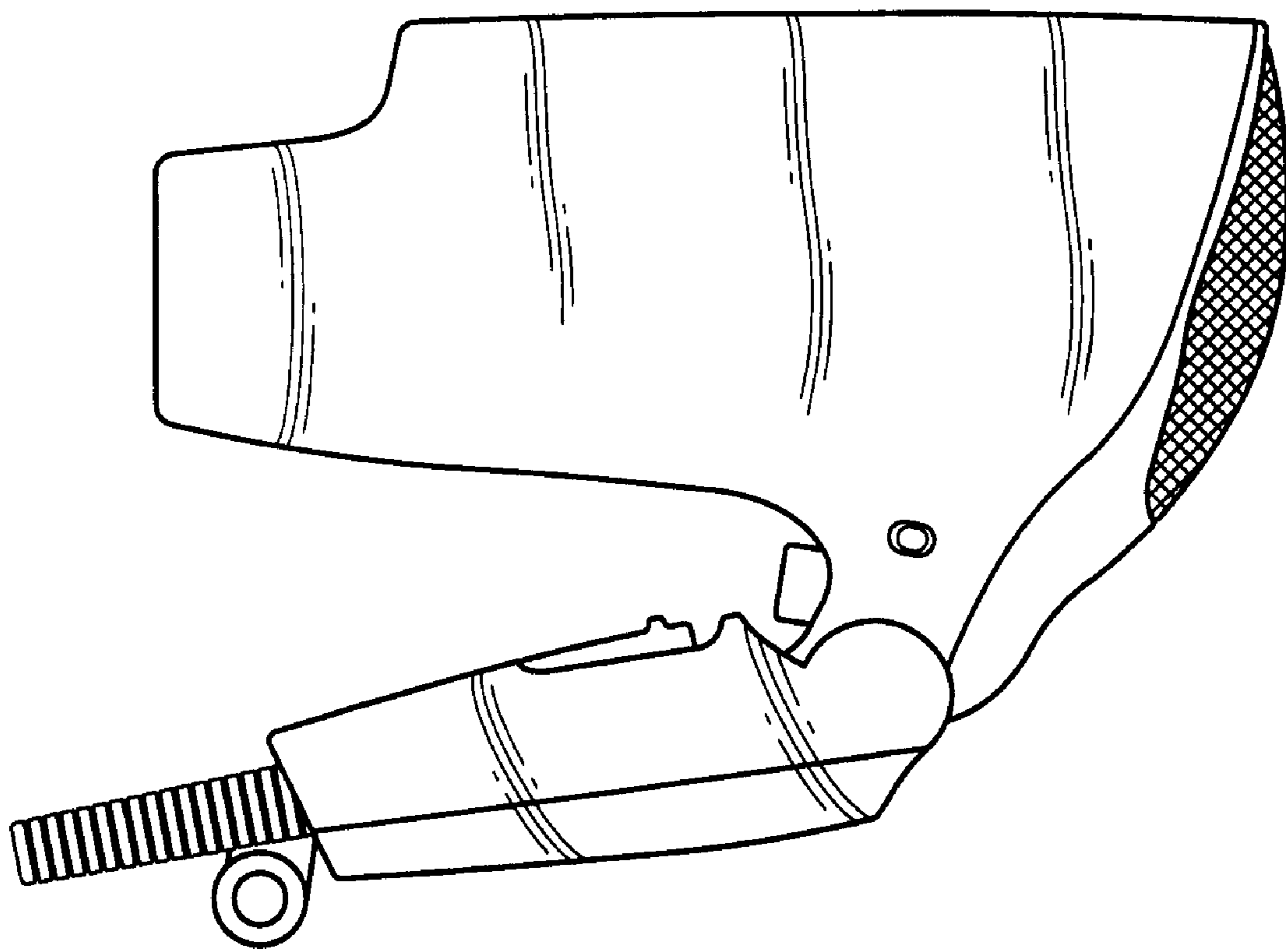


FIG. 11