

US00D546497S

(12) **United States Design Patent** (10) **Patent No.:** **US D546,497 S**
Lehman et al. (45) **Date of Patent:** **** Jul. 10, 2007**

(54) **TRANSFORMER**

(75) Inventors: **Gregg Lehman**, Peachtree City, GA (US); **Steen Vann**, Morrow, GA (US)

(73) Assignee: **Cooper Technologies Company**, Houston, TX (US)

(**) Term: **14 Years**

(21) Appl. No.: **29/252,050**

(22) Filed: **Jan. 18, 2006**

Related U.S. Application Data

(63) Continuation of application No. 29/233,364, filed on Jun. 30, 2005.

(51) **LOC (8) Cl.** **26-99**

(52) **U.S. Cl.** **D26/138**

(58) **Field of Classification Search** D26/138, D26/63, 66, 89, 24, 46, 60, 61, 72, 76, 80, D26/81, 83, 88, 90, 113, 140, 141, 142, 143, D26/149, 152, 153, 155; 362/648, 130, 217, 362/219, 220, 221, 225, 646, 649, 659, 227, 362/232, 257, 277, 285, 362, 368, 370, 371, 362/374, 382, 388, 418; 248/214; 439/118; D13/110

See application file for complete search history.

(56) **References Cited**

U.S. PATENT DOCUMENTS

D28,997 S * 7/1898 Packard et al. D13/110

(Continued)

OTHER PUBLICATIONS

Capri Lighting, Solis, product sheet, 2005 (2 pages).
Nora Lighting, NRS90 Rail Series, product sheet, 2001 (6 pages).
Con-Tech Lighting, Symphony MiniTrack, Catalog, available at least as early as Jan. 19, 2005 (16 pages).

Primary Examiner—Freda S. Nunn
Assistant Examiner—Kevin K. Rudzinski

(74) *Attorney, Agent, or Firm*—SAIDMAN DesignLaw Group

(57) **CLAIM**

The ornamental design for a transformer, as shown and described.

DESCRIPTION

This application is related to co-pending applications: Ser. No. 11/322,837, filed Dec. 30, 2005 and titled “Halo Flex Track”; Ser. No. 11/324,099, filed Dec. 30, 2005 and titled “Halo Power Supplies”; Ser. No. 11/323,231, filed Dec. 30, 2005 and titled “Halo Clam Shell Connections”; and Ser. No. 11/323,755, filed Dec. 30, 2005 and titled “Halo Hubs and Connections”.

FIG. 1 is a top, front perspective view of a first embodiment of a transformer showing our new design;

FIG. 2 is an open, top front perspective view thereof;

FIG. 3 is a front view thereof;

FIG. 4 is a rear view thereof;

FIG. 5 is a right side view thereof;

FIG. 6 is a left side view thereof;

FIG. 7 is an open left side view thereof;

FIG. 8 is a top view thereof;

FIG. 9 is a bottom view thereof;

FIG. 10 is a top, front perspective view of a second embodiment of a transformer showing our new design;

FIG. 11 is a front view thereof;

FIG. 12 is a rear view thereof;

FIG. 13 is a right side view thereof;

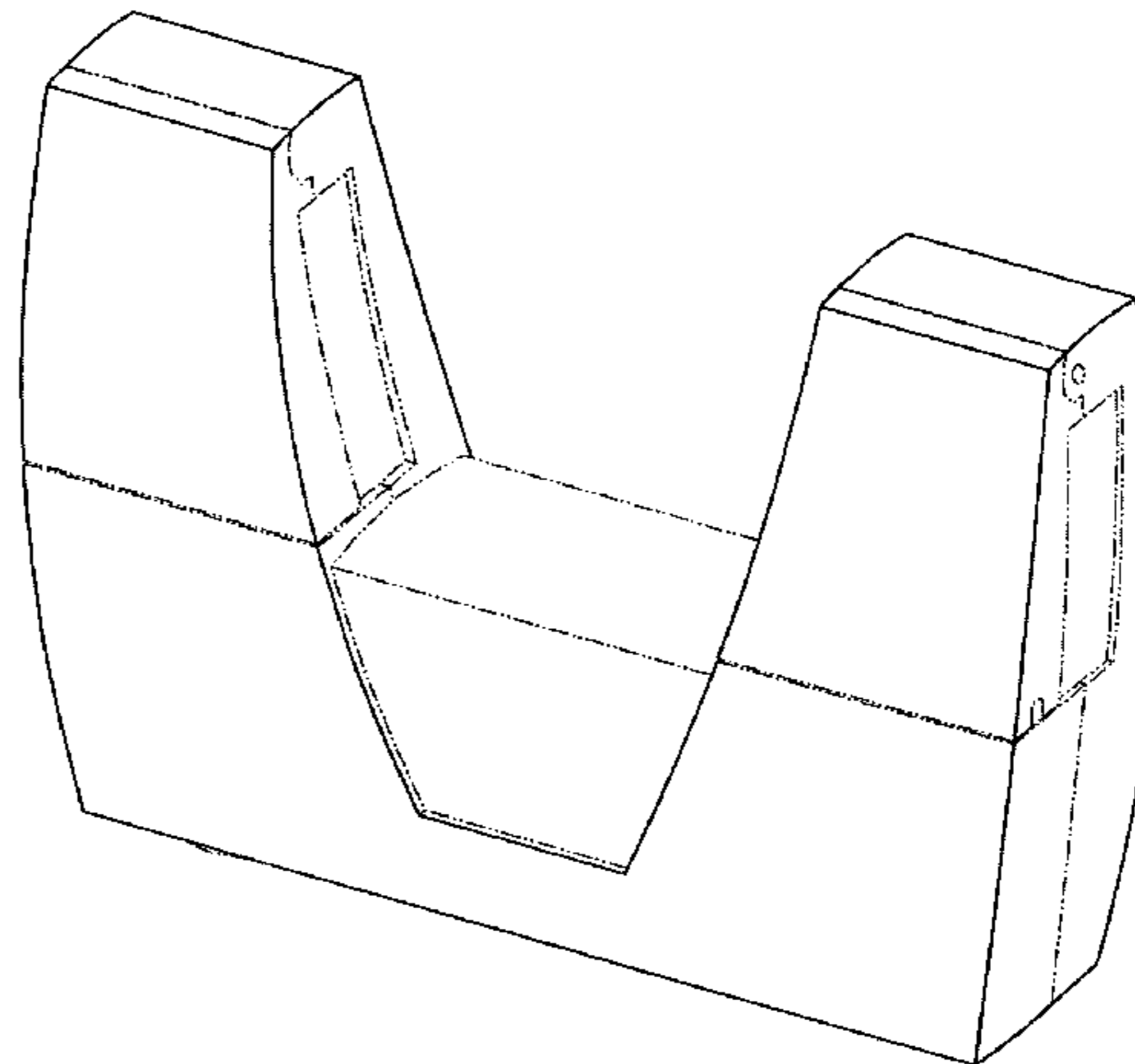
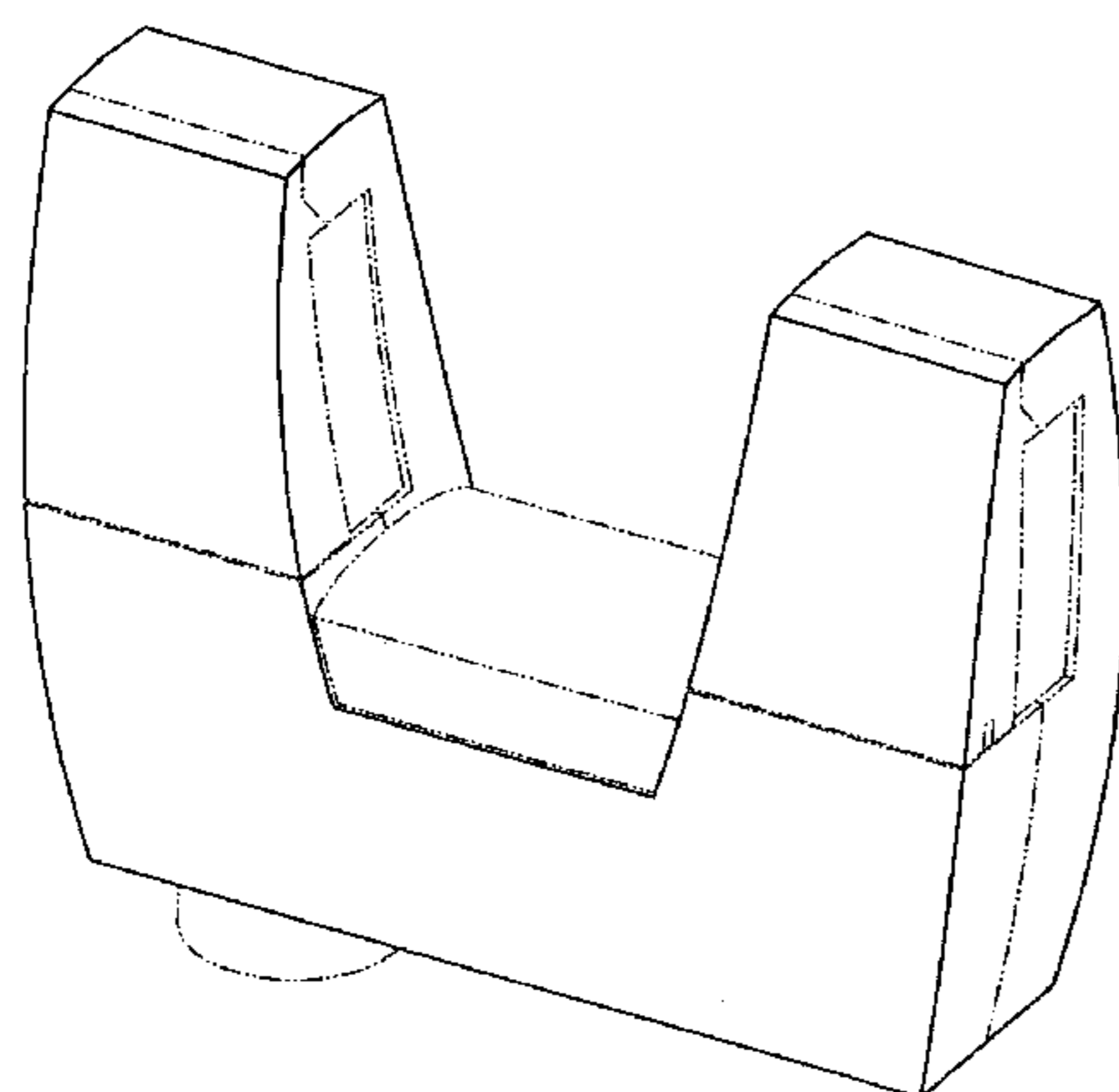
FIG. 14 is a left side view thereof;

FIG. 15 is a top view thereof; and,

FIG. 16 is a bottom view thereof.

The broken lines form no part of the claimed design.

1 Claim, 9 Drawing Sheets



US D546,497 S

Page 2

U.S. PATENT DOCUMENTS

D30,151 S *	2/1899	Moody	D13/110	D390,825 S *	2/1998	Chen	D13/110
1,287,542 A *	12/1918	Whitney	439/414	D394,241 S *	5/1998	Wachter et al.	D13/110
2,437,579 A *	3/1948	Wilson	439/118	5,855,485 A	1/1999	Patti		
D189,479 S *	12/1960	Budovec	D13/110	D413,995 S *	9/1999	Lee et al.	D26/63
D199,567 S *	11/1964	Moore	D13/110	6,004,005 A	12/1999	Demshki, Jr.		
D253,854 S *	1/1980	Strignano	D26/89	6,022,129 A *	2/2000	Tang	362/404
D264,206 S *	5/1982	Heritage	D13/133	6,056,561 A *	5/2000	Lin	439/121
4,533,190 A *	8/1985	Booty	439/110	D442,309 S	5/2001	Miller et al.		
4,655,520 A *	4/1987	Cummings	439/111	D444,252 S	6/2001	Miller et al.		
D290,524 S *	6/1987	Kusmer	D13/110	D448,506 S	9/2001	Miller et al.		
4,833,579 A *	5/1989	Skegin	362/362	D475,479 S *	6/2003	Lin	D26/64
4,861,273 A	8/1989	Wenman et al.			6,676,281 B2	1/2004	Bray et al.		
4,975,817 A *	12/1990	Reimers	362/418	6,716,042 B2	4/2004	Lin		
5,151,038 A *	9/1992	Range et al.	439/122	D505,742 S *	5/2005	Muñoz	D26/60
5,334,037 A *	8/1994	Gabrius, Algimantas J. et al.	439/118	D510,563 S *	10/2005	Farzan	D13/110
D383,114 S *	9/1997	Wandler et al.	D13/110	2003/0012016 A1 *	1/2003	Shen	362/382
					2004/0160767 A1	8/2004	Mobarak et al.		

* cited by examiner

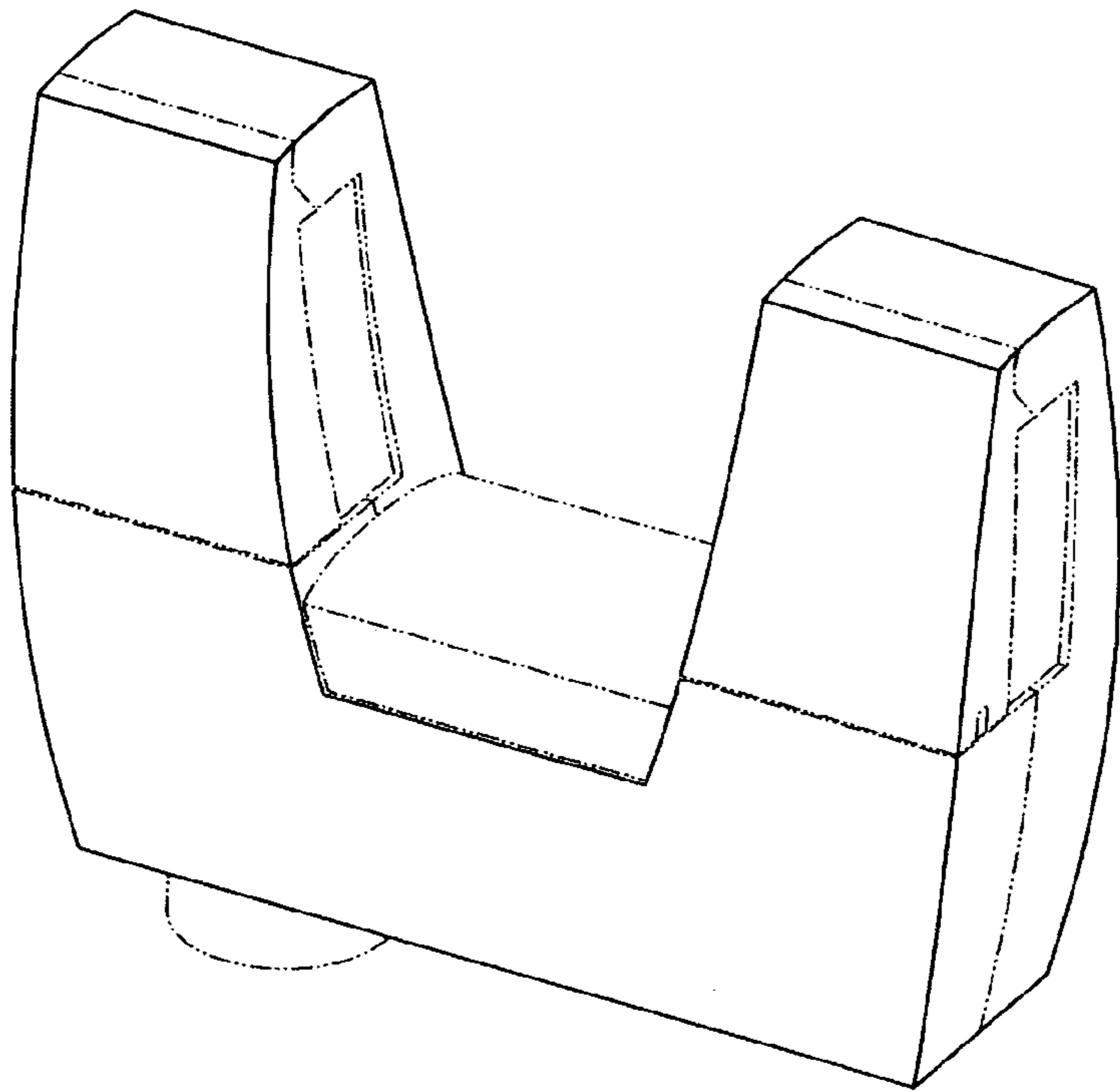


Fig. 1

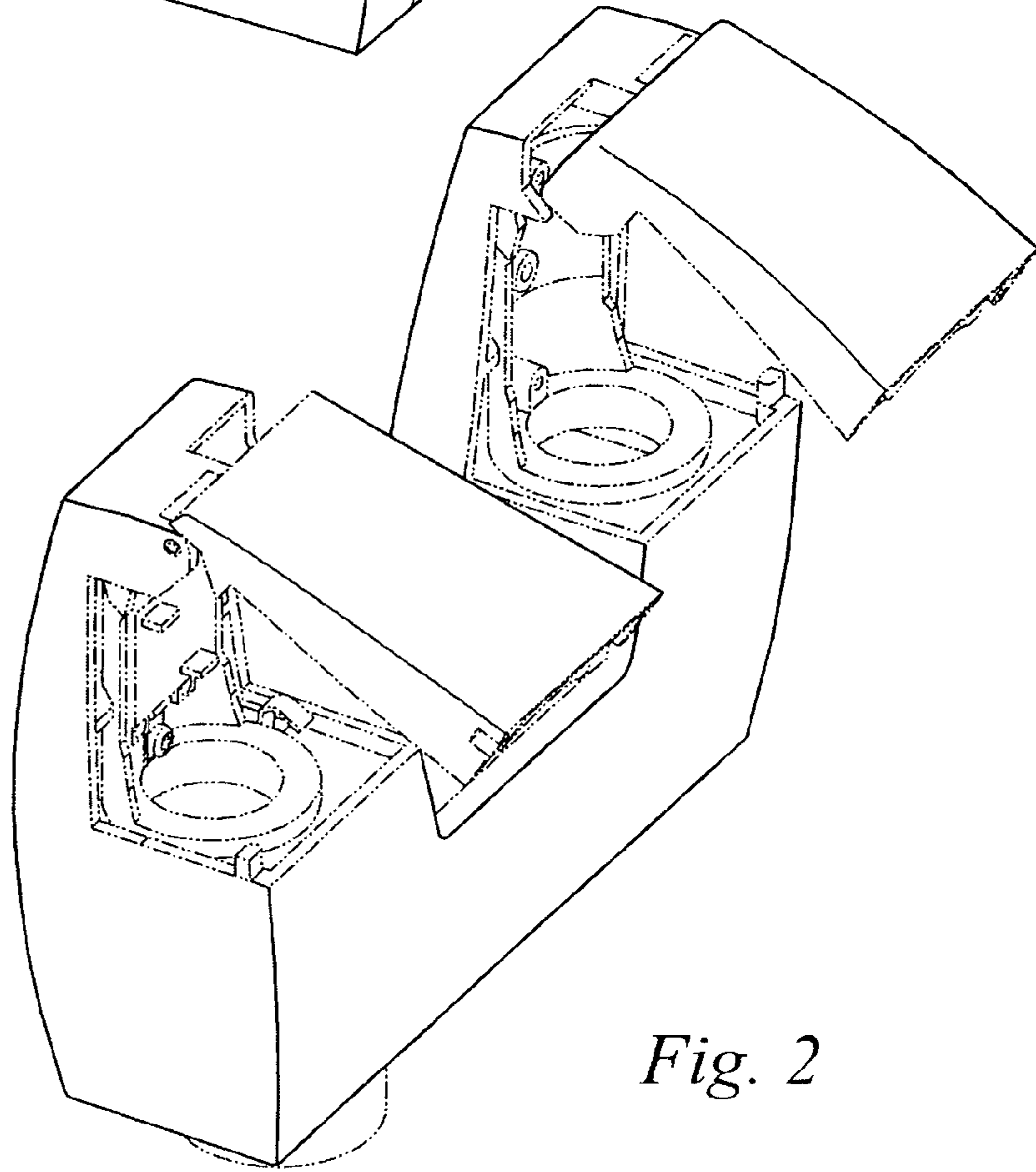


Fig. 2

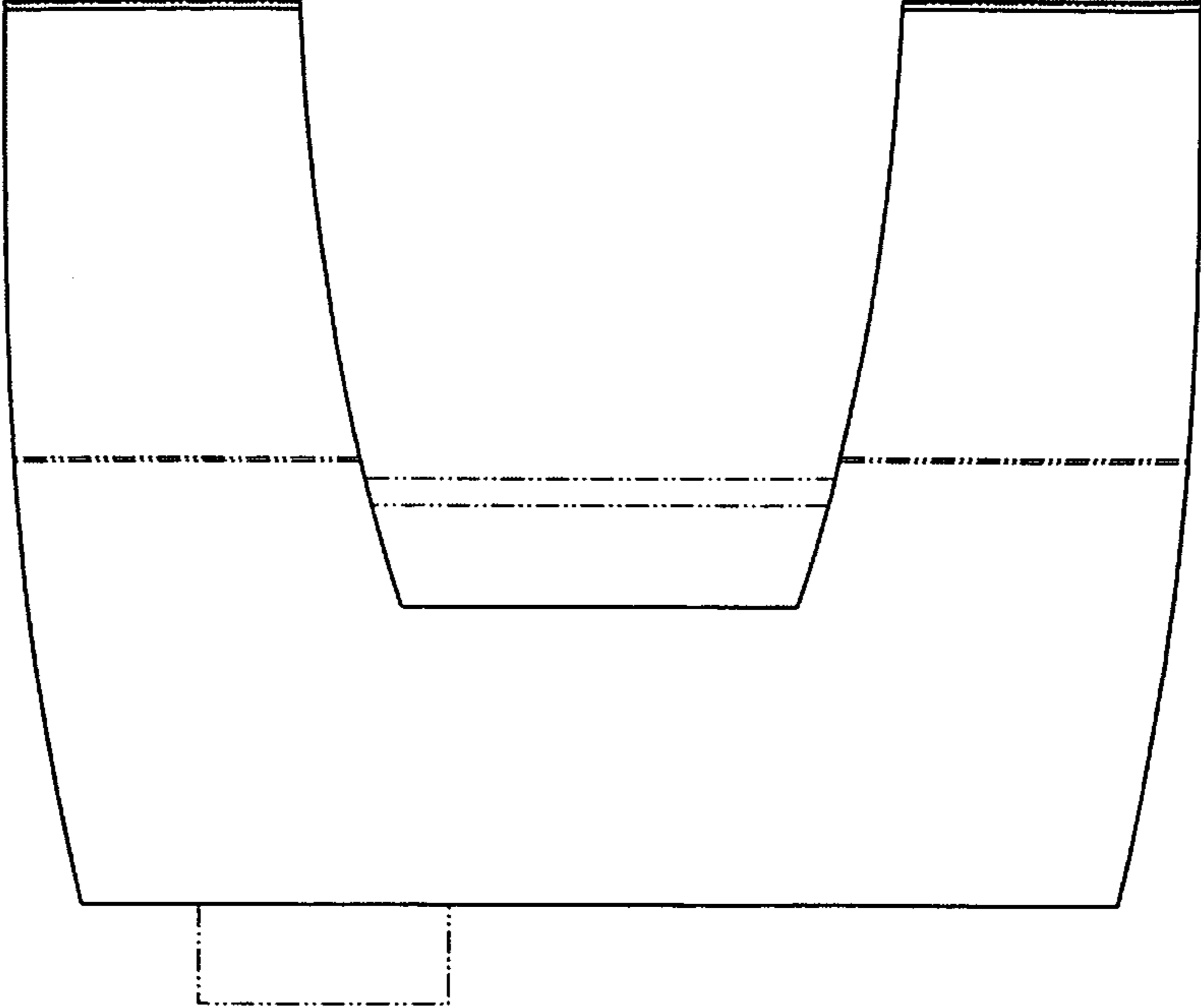


Fig. 3

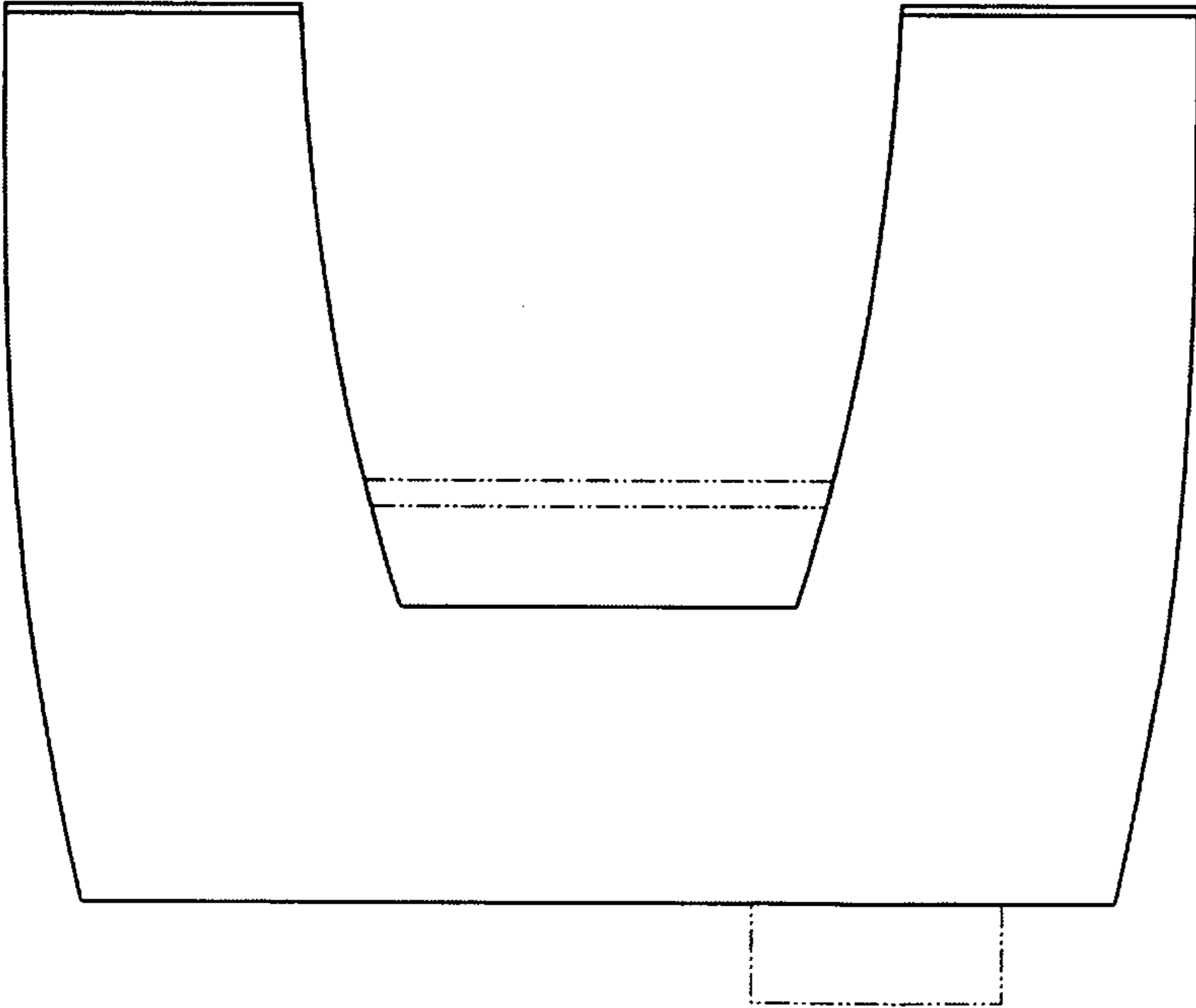


Fig. 4

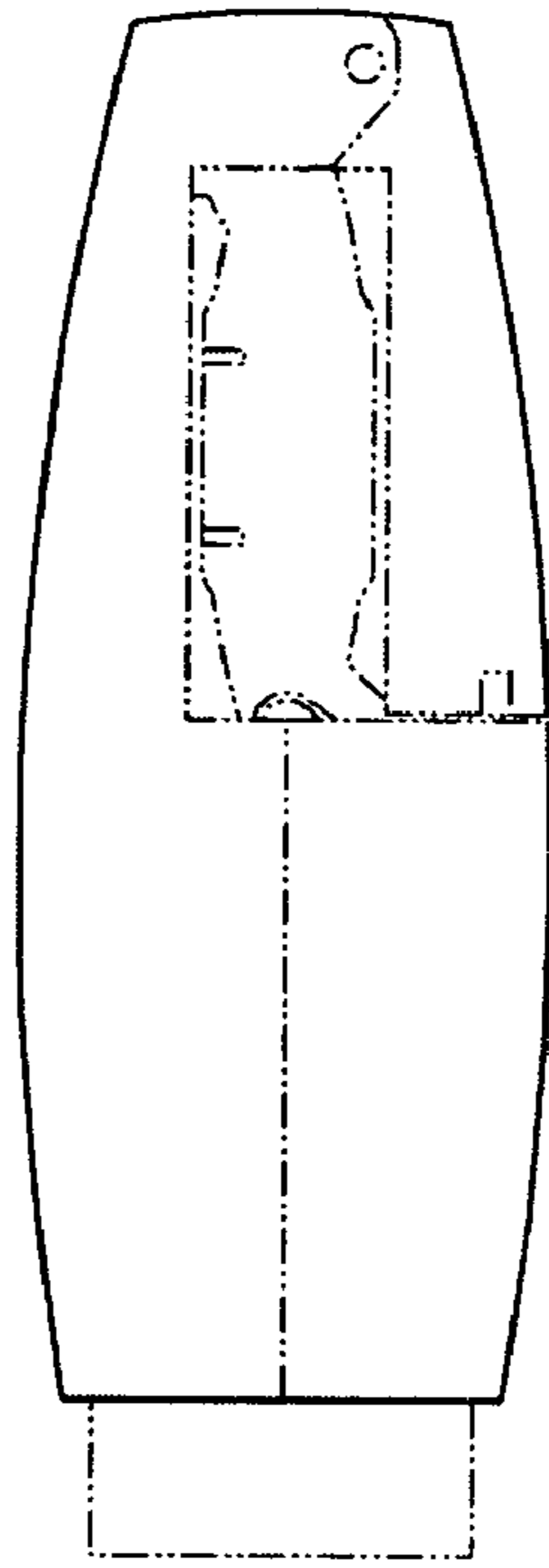


Fig. 5

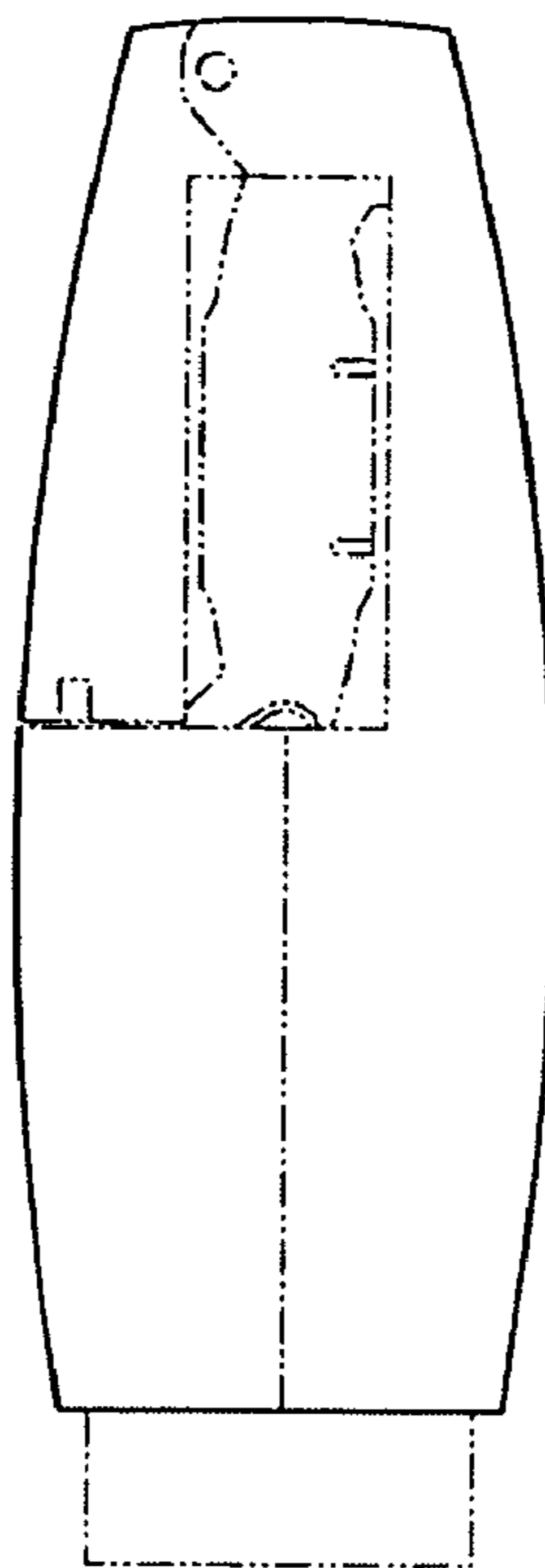


Fig. 6

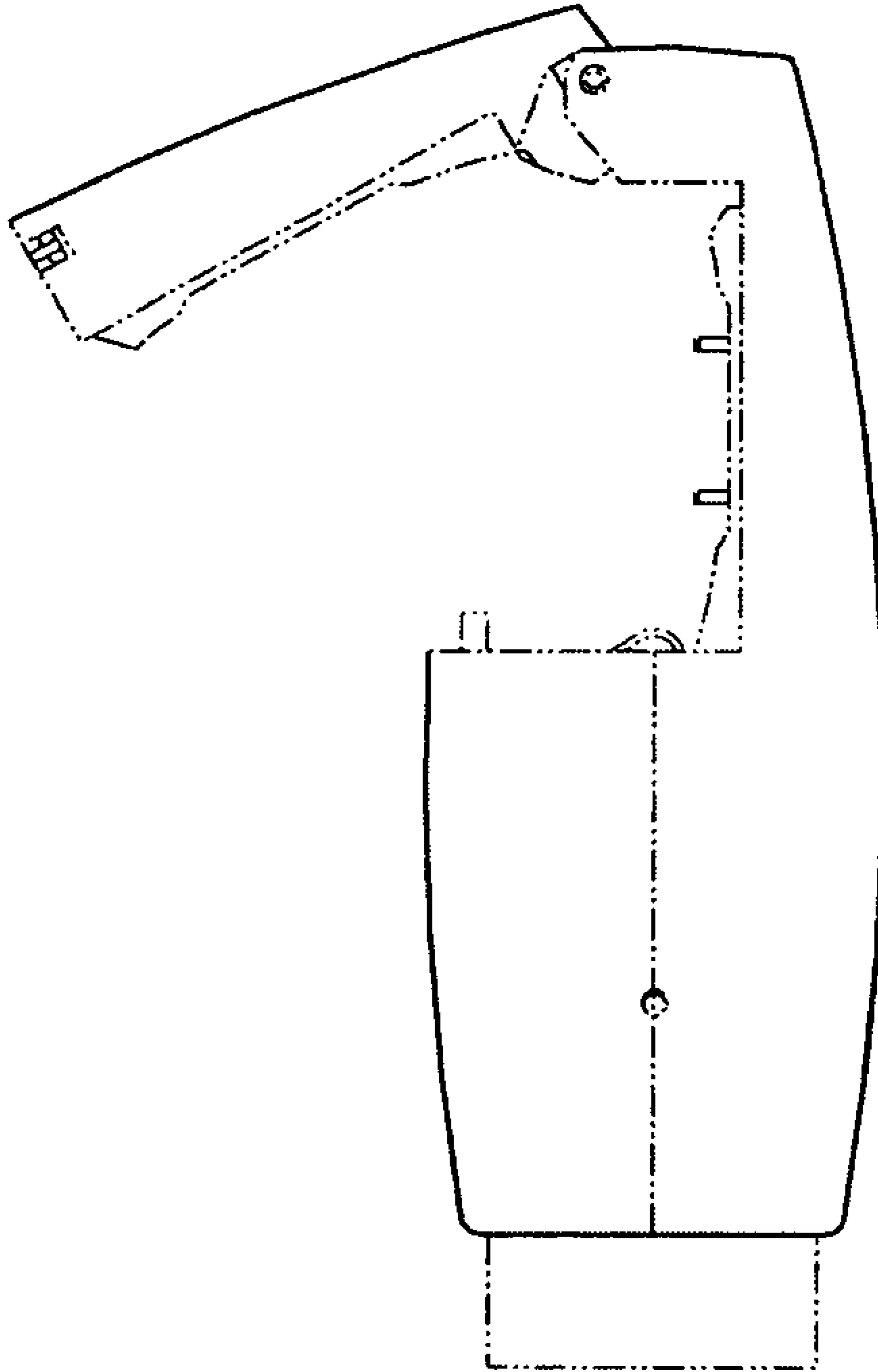


Fig. 7



Fig. 8

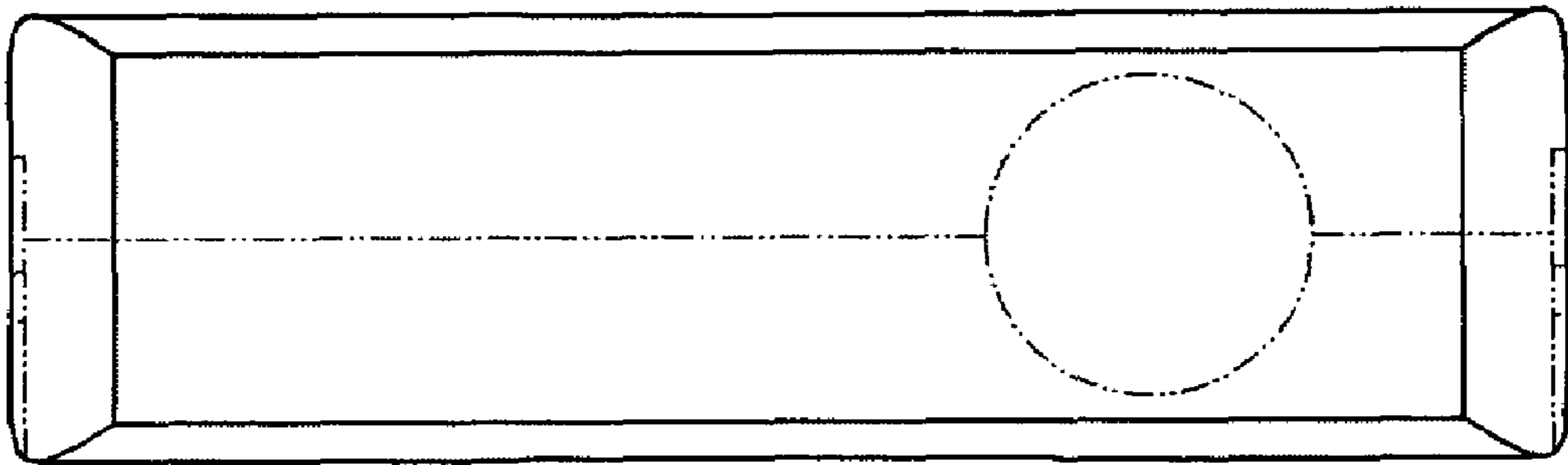


Fig. 9

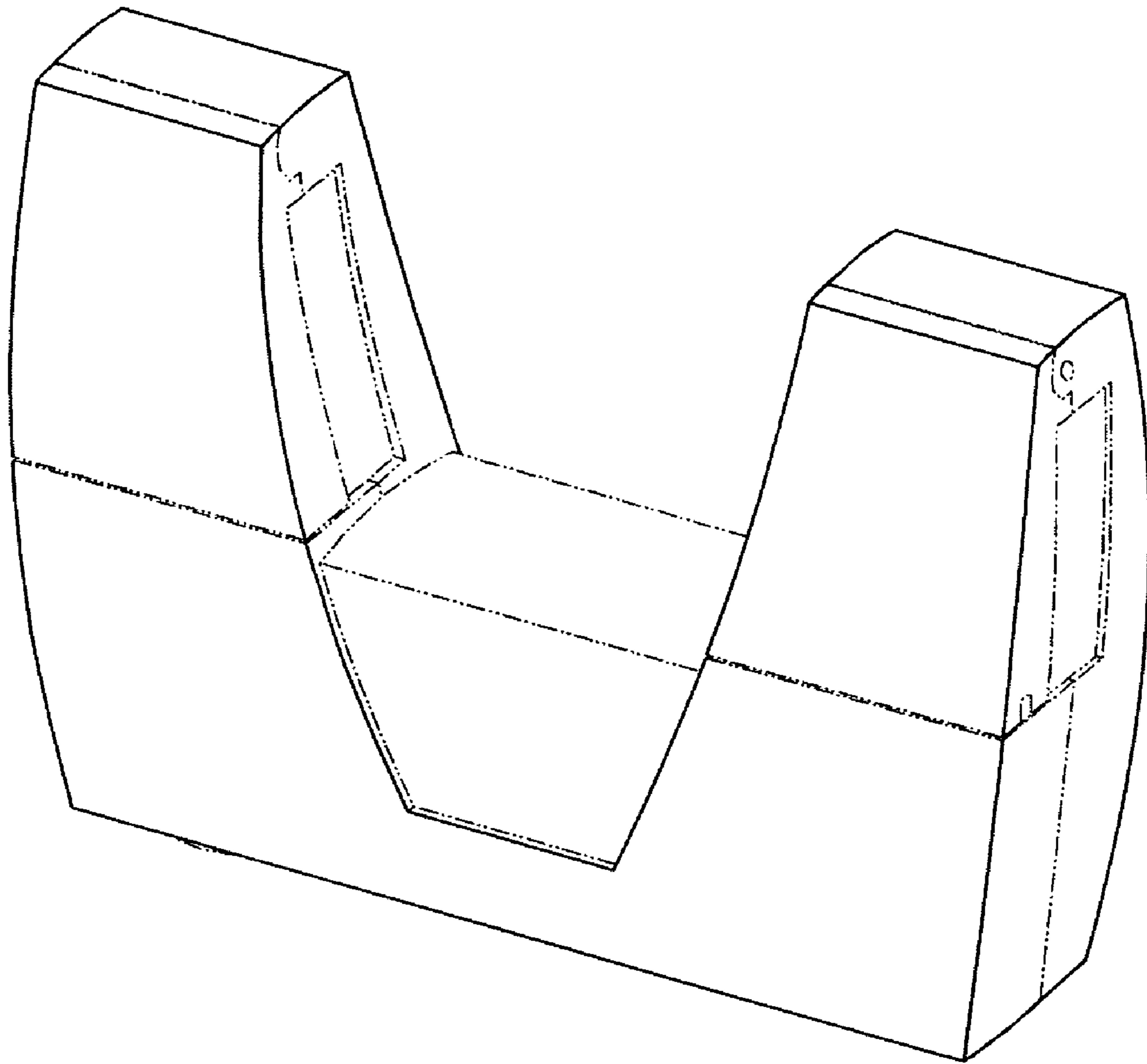


Fig. 10

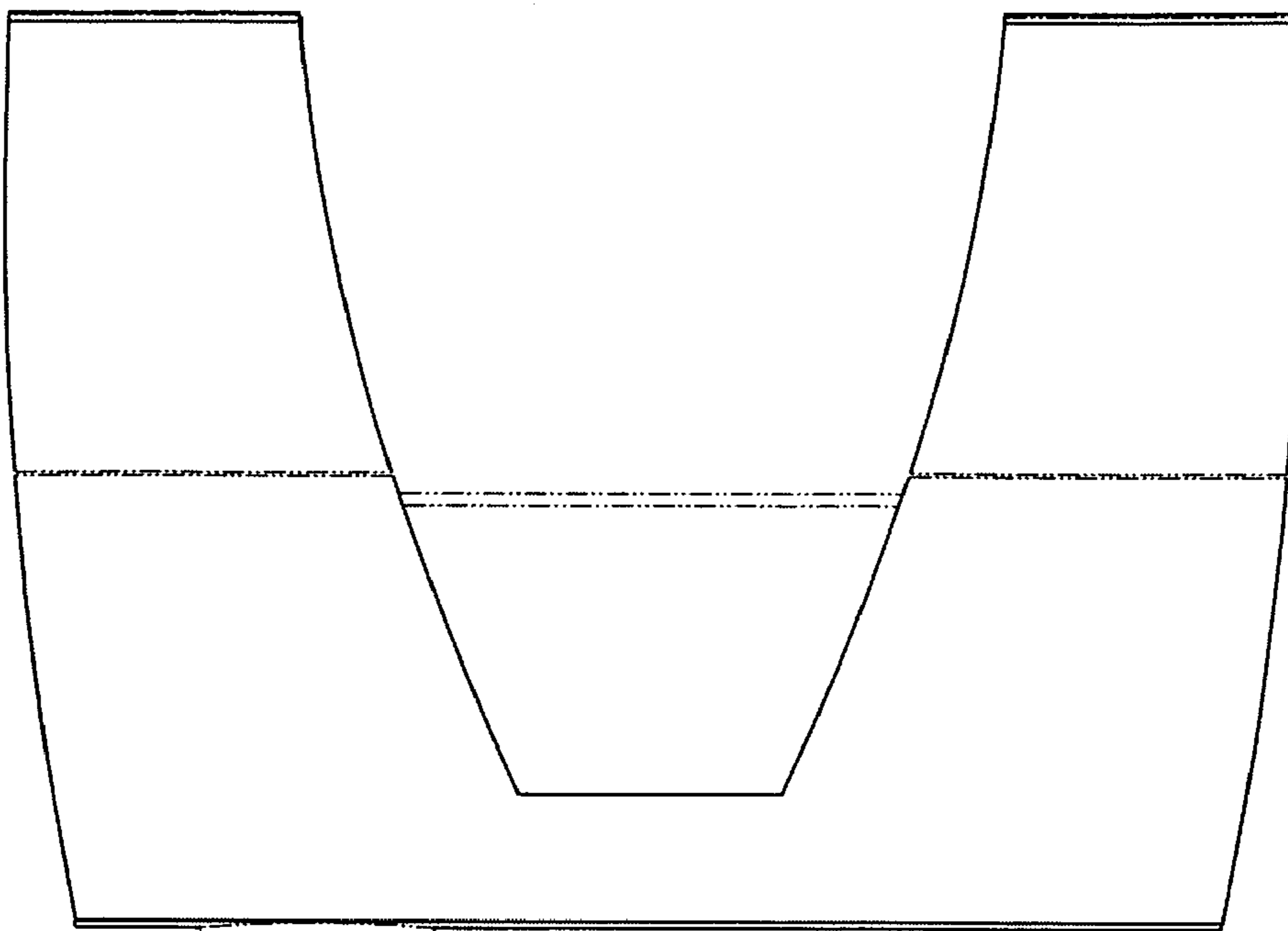


Fig. 11

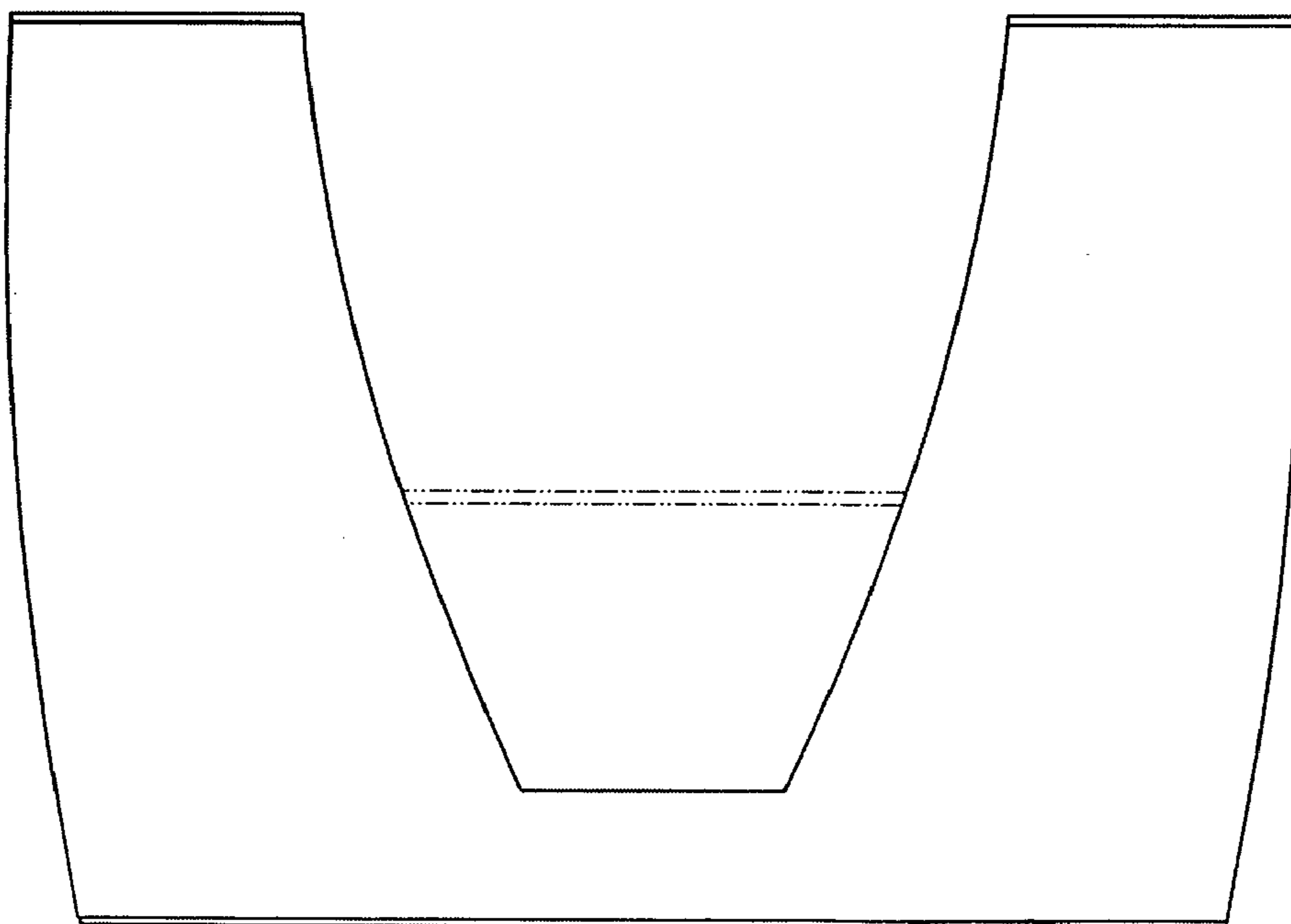


Fig. 12

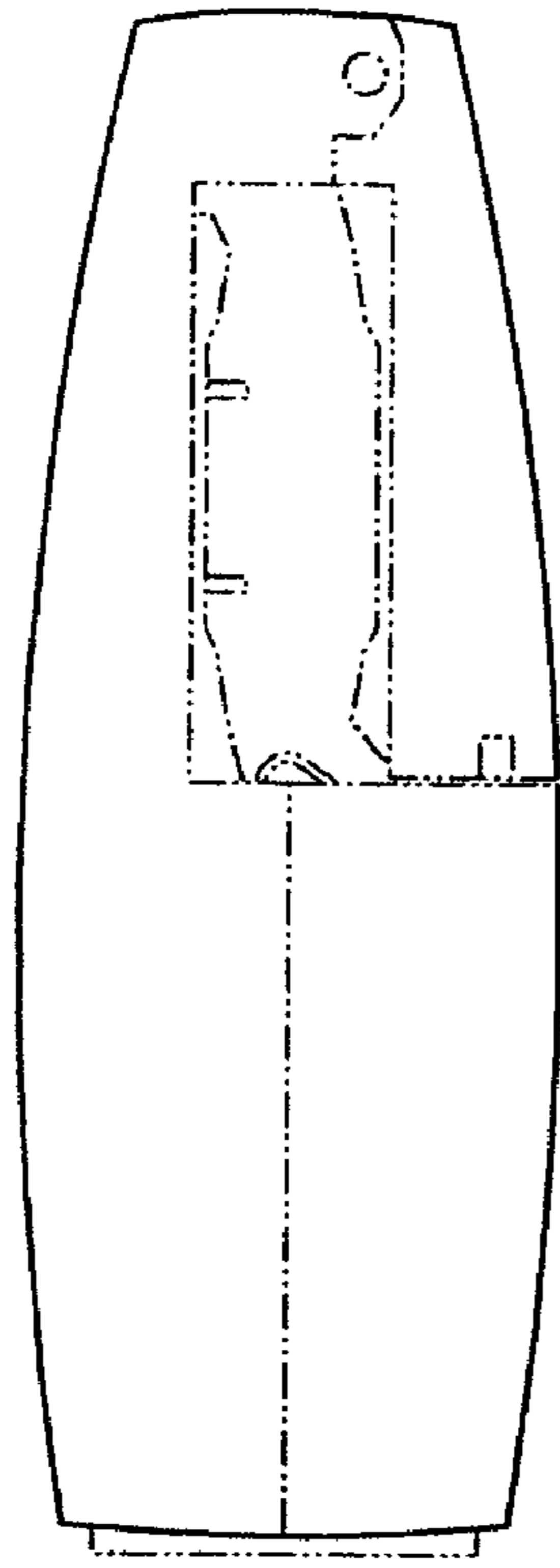


Fig. 13

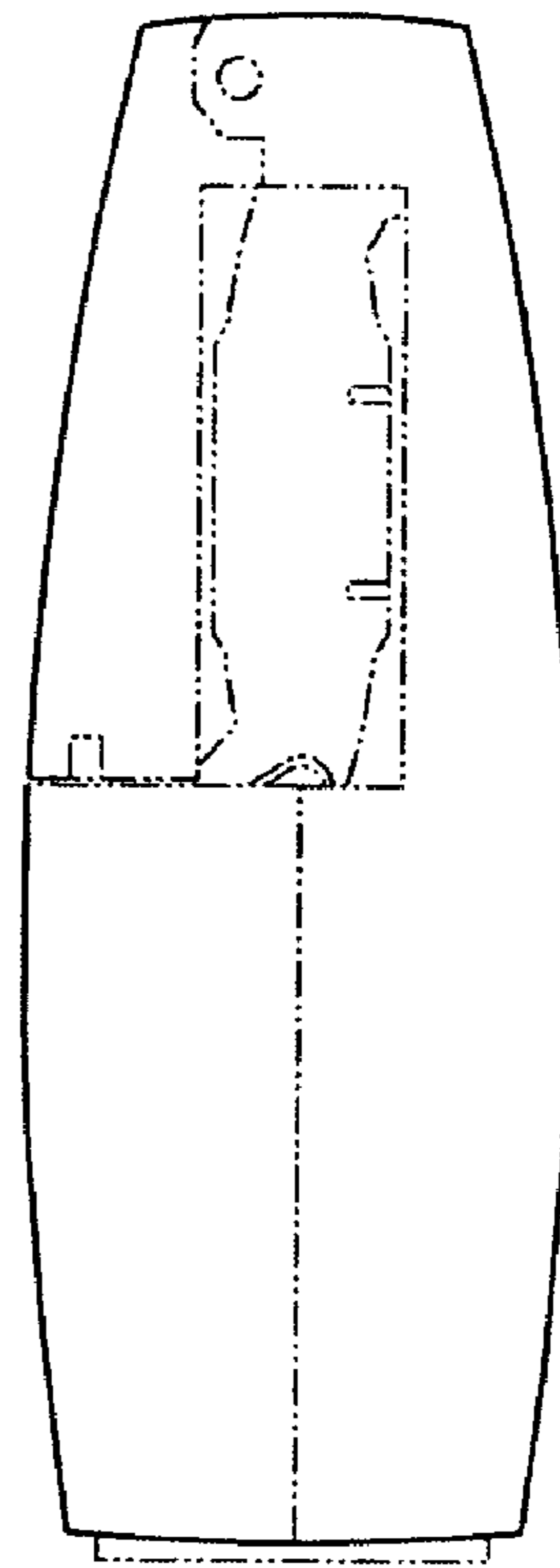


Fig. 14

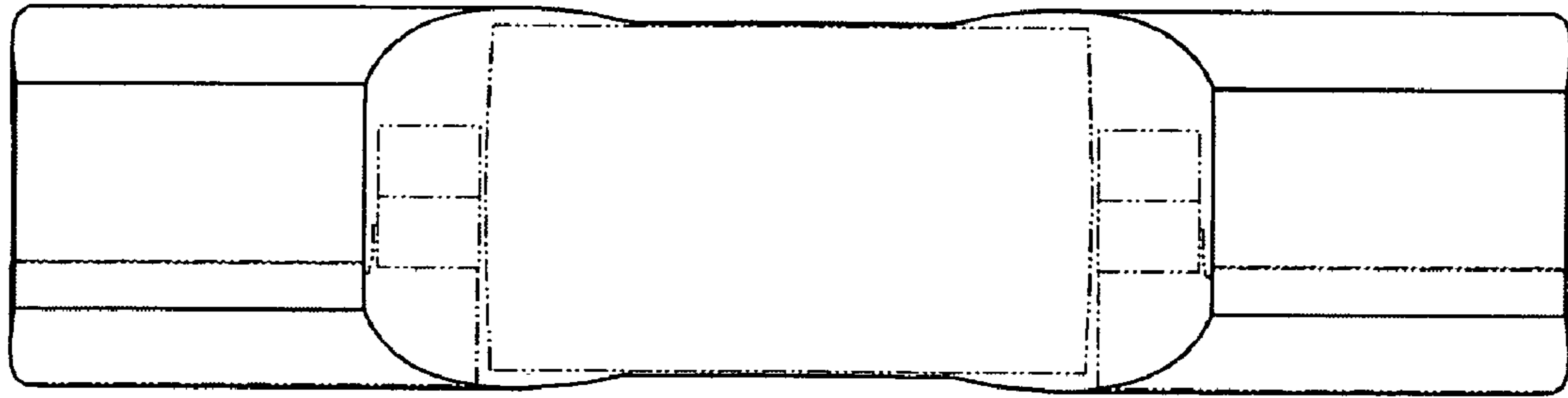


Fig. 15

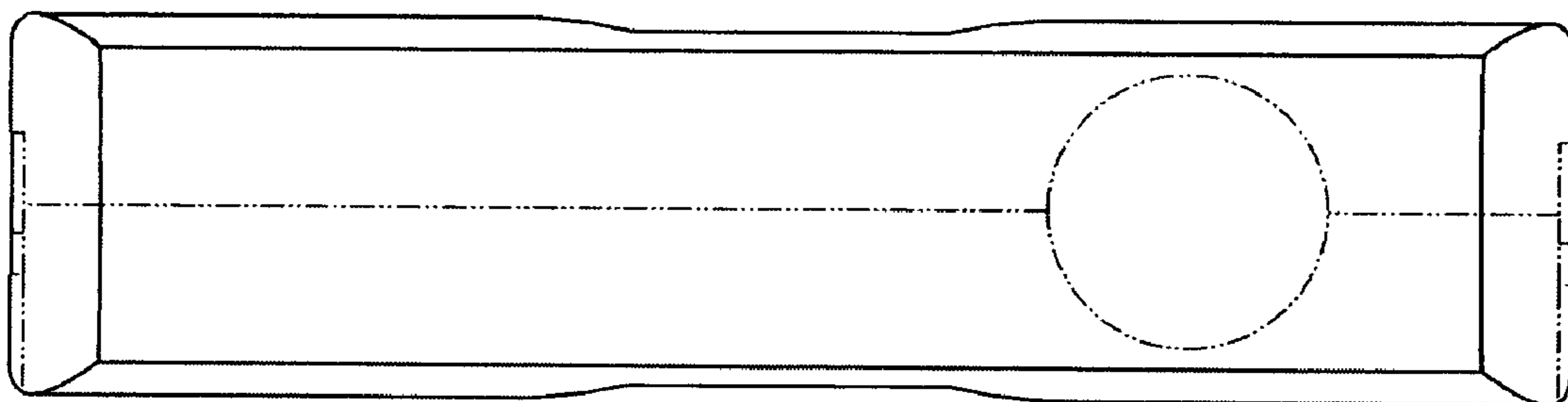


Fig. 16