

US00D546496S

(12) **United States Design Patent**
Yando et al.

(10) **Patent No.:** **US D546,496 S**
(45) **Date of Patent:** **** Jul. 10, 2007**

(54) **LAMP**

(75) Inventors: **Roslyn Yando**, Brainardsville, NY (US); **Jill Merkel Riley**, Plattsburgh, NY (US); **Eileen Schonbek Beer**, Burlington, VT (US)

(73) Assignee: **Schonbek Worldwide Lighting Inc.**, Plattsburgh, NY (US)

(**) Term: **14 Years**

(21) Appl. No.: **29/258,044**

(22) Filed: **Apr. 14, 2006**

(51) **LOC (8) Cl.** **26-03**

(52) **U.S. Cl.** **D26/108**

(58) **Field of Classification Search** D26/93-112;
362/410-414, 806

See application file for complete search history.

(56) **References Cited**

U.S. PATENT DOCUMENTS

D135,946 S * 7/1943 Keller D26/104
D340,310 S * 10/1993 Segill et al. D26/110

OTHER PUBLICATIONS

Bellacor Lighting and Furnishings, http://www.bellacor.com/detail.cfm?Cat=38&ItemID=4095&Loc=Product_Search&Page=1 &UserID=85F173A0-F6CB-A74B-56262, Crystal Table Lamp, Bellacor No: 64095 (pp. 1-3).

Florida Design, vol. 11, No. 3, p. 296 (pp. 1).
Strass Swarovski Crystal Lighting Price List 2006, Part No. 8755, Kite Pear Shape, p. 21 (pp. 1).

* cited by examiner

Primary Examiner—Alan P. Douglas

Assistant Examiner—Linda Brooks

(74) *Attorney, Agent, or Firm*—Heslin Rothenberg Farley & Mesiti PC

(57) **CLAIM**

The ornamental design for a lamp, as shown and described.

DESCRIPTION

This application is related to concurrently filed U.S. application Ser. No. 29/258,045 and U.S. application Ser. No. 29/258,043 the full disclosures of which are incorporated herein by reference.

FIG. 1 is an isometric view of the lamp of the present design;

FIG. 2 is a front elevation view thereof;

FIG. 3 is a right-side elevation view thereof;

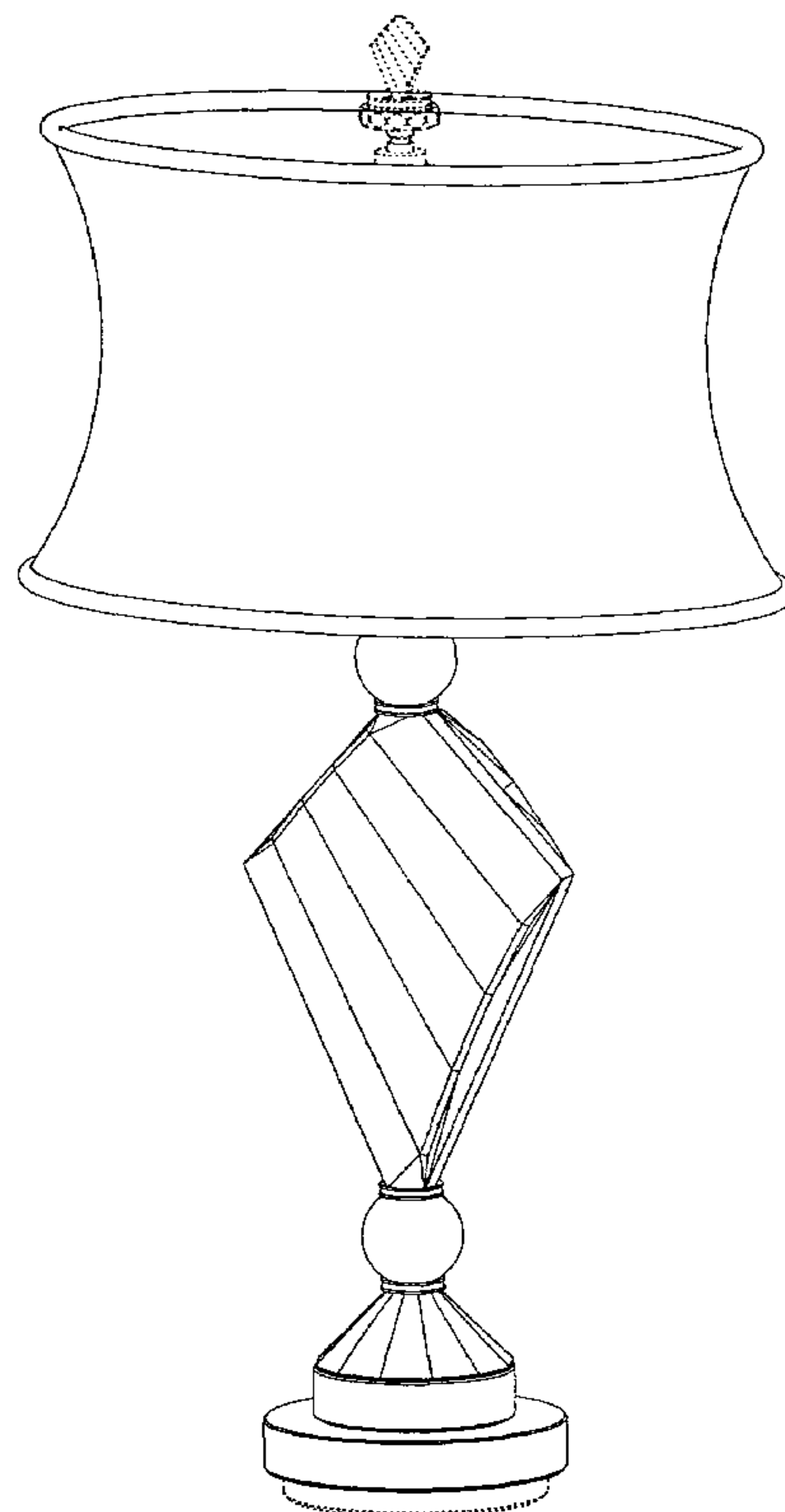
FIG. 4 is a rear elevation view thereof;

FIG. 5 is a left-side elevation view thereof; and,

FIG. 6 is a top plan view thereof.

The broken line showing is for illustrative purposes only and forms no part of the claimed invention.

1 Claim, 6 Drawing Sheets



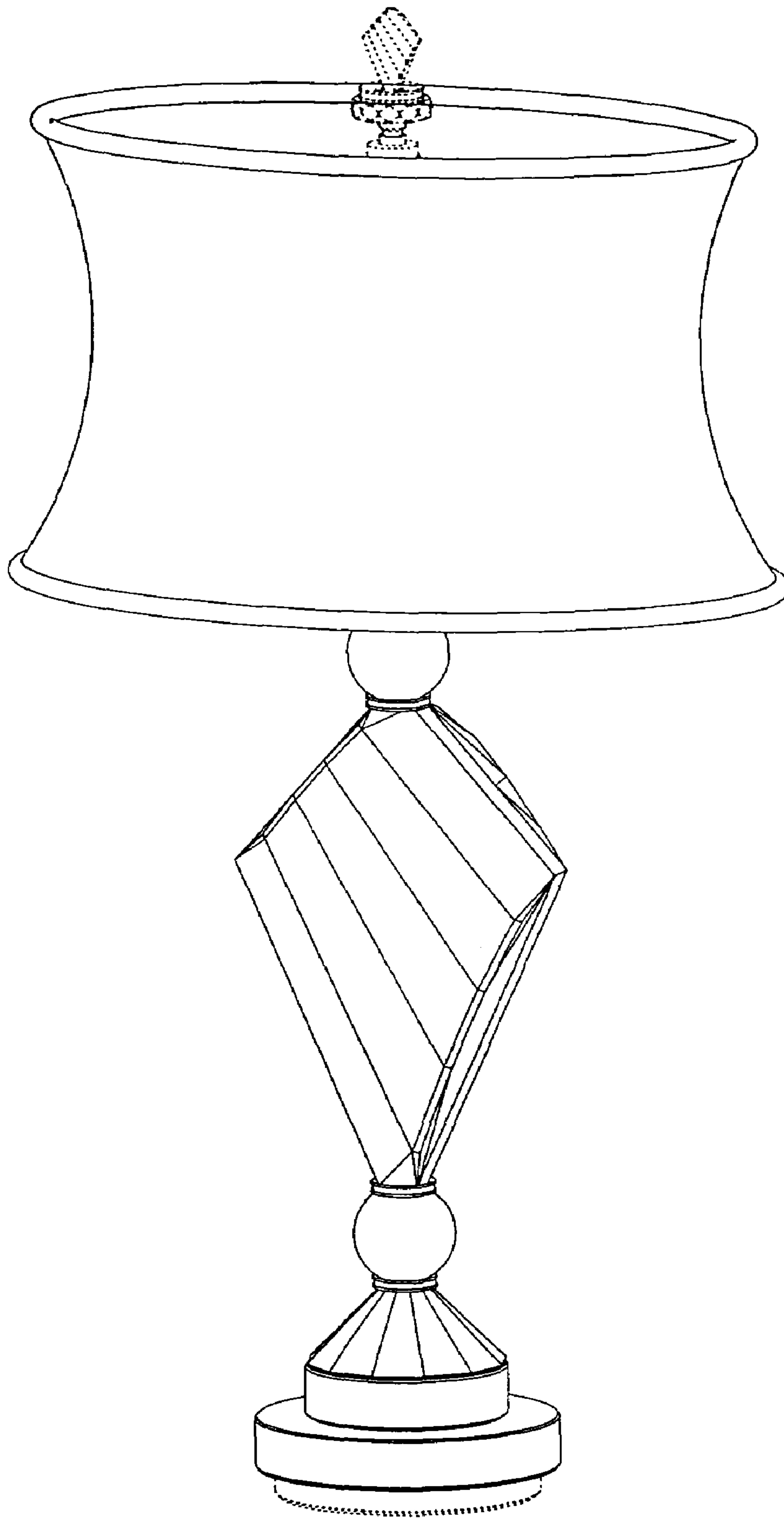


FIG. 1

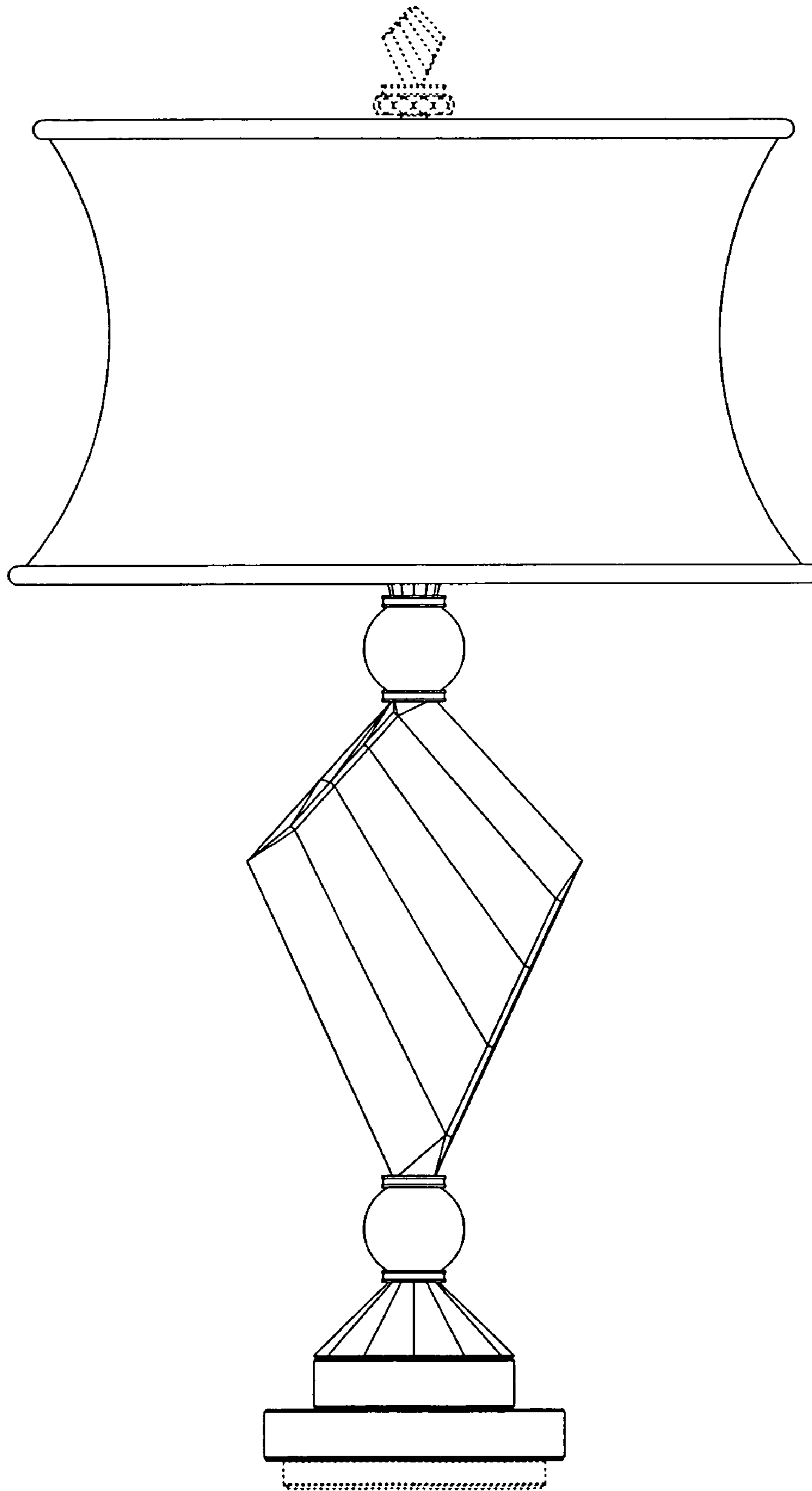


FIG. 2

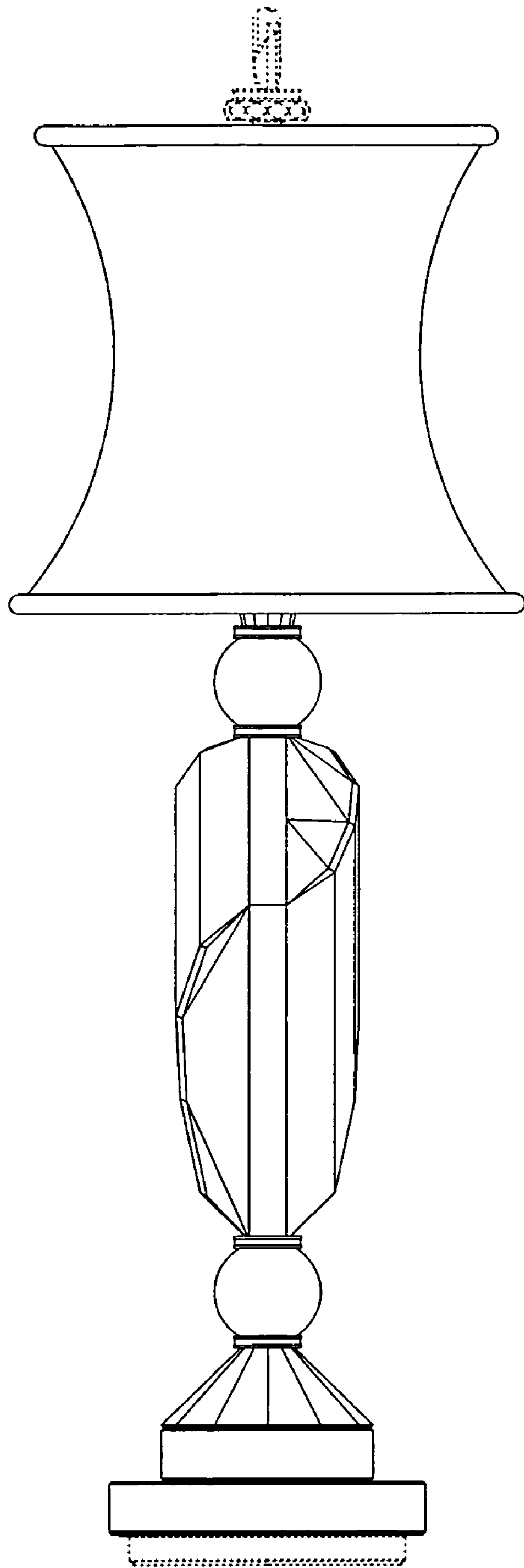


FIG. 3

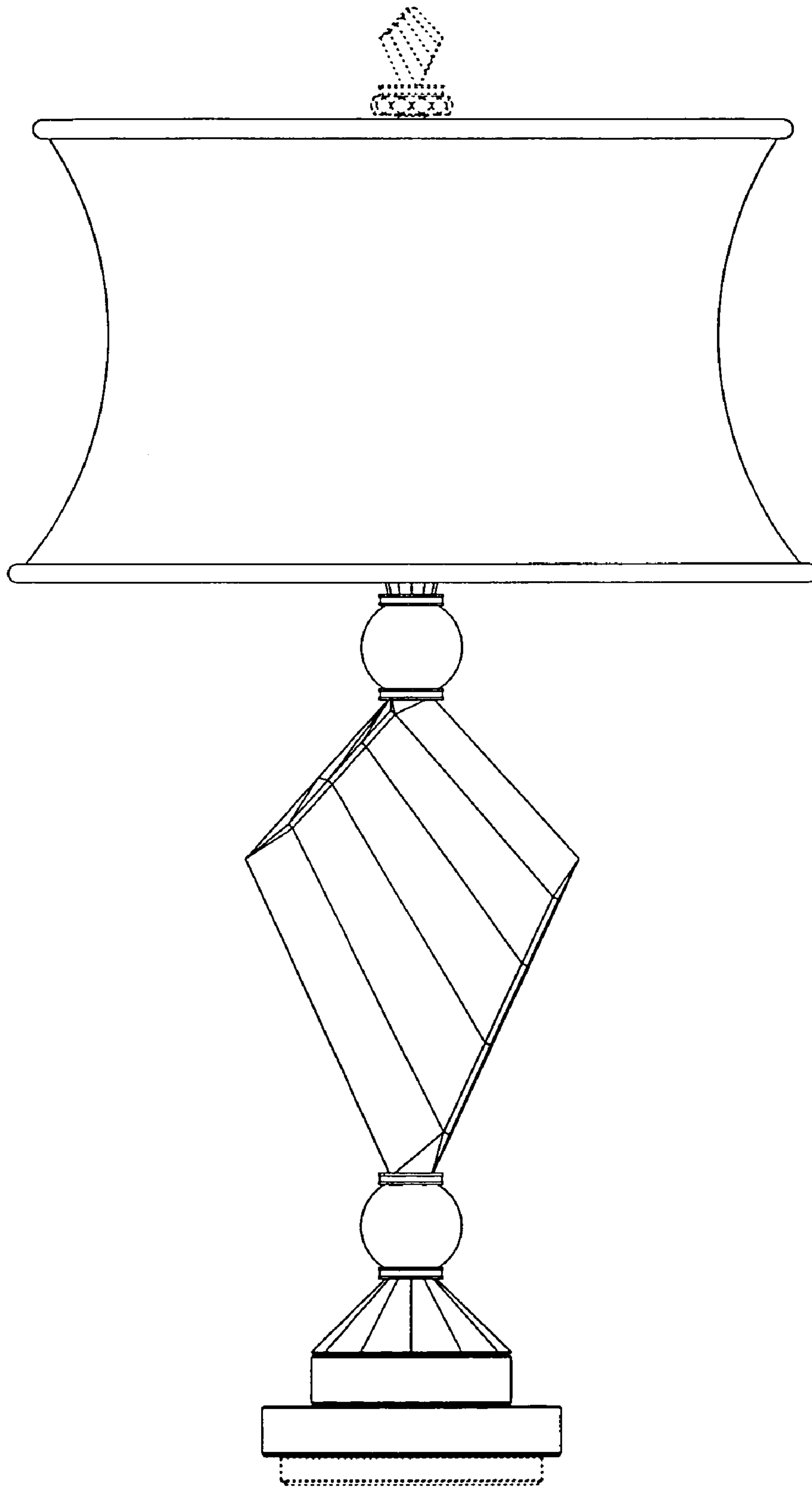


FIG. 4

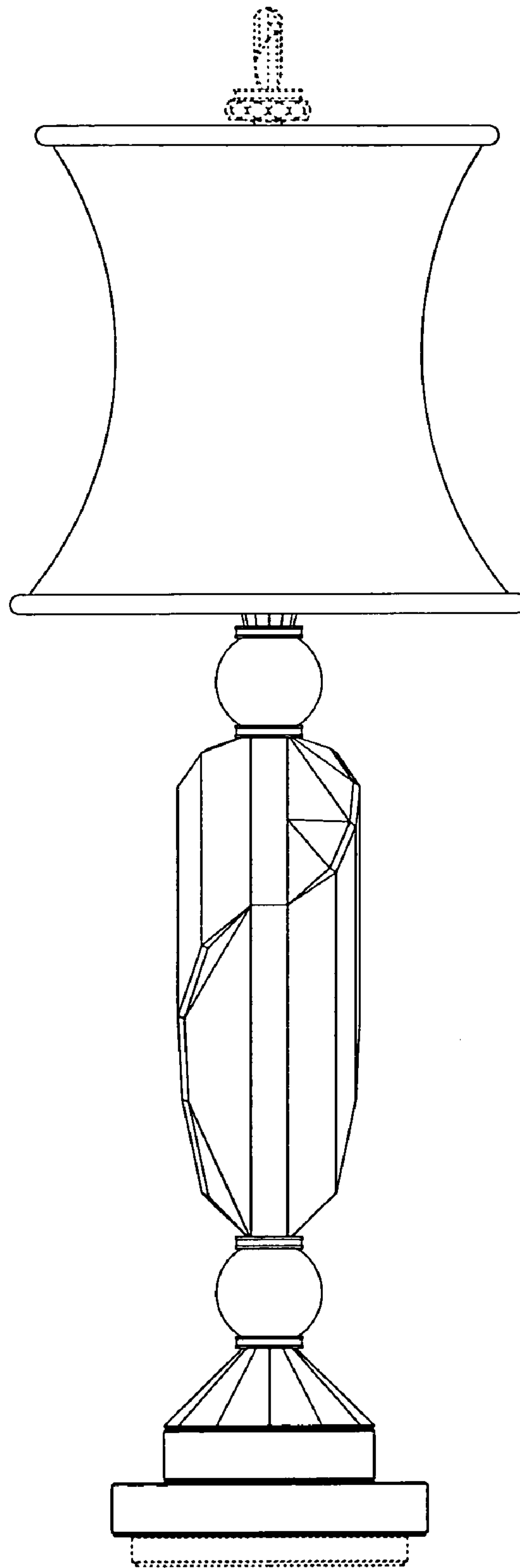


FIG. 5

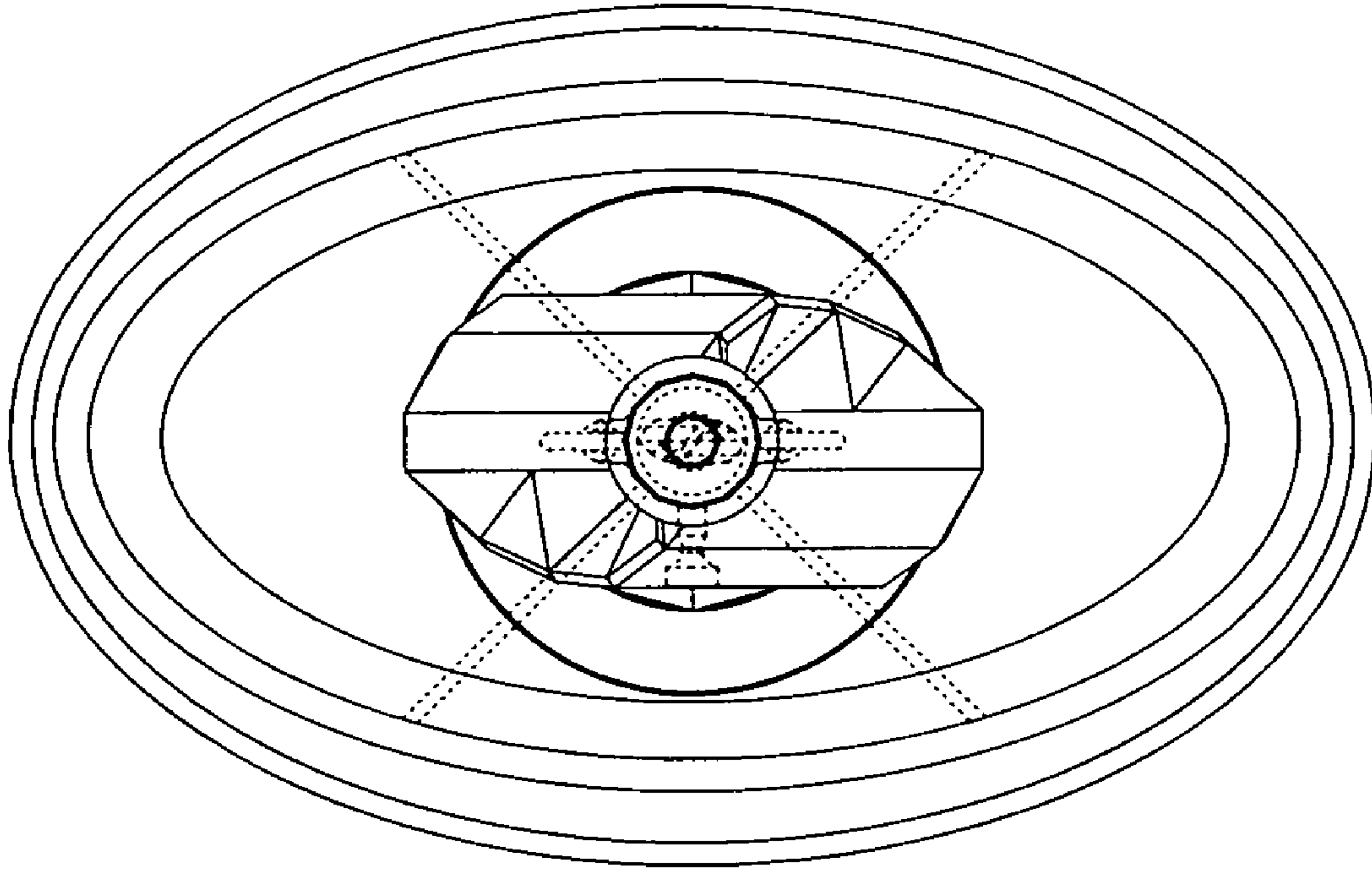


FIG. 6