



US00D546493S

(12) **United States Design Patent**
Friedman

(10) **Patent No.:** **US D546,493 S**

(45) **Date of Patent:** **** Jul. 10, 2007**

(54) **LIGHTING FIXTURE**

(75) Inventor: **Frank A. Friedman**, Mill Valley, CA (US)

(73) Assignee: **Acuity Brands, Inc.**, Atlanta, GA (US)

(**) Term: **14 Years**

(21) Appl. No.: **29/217,962**

(22) Filed: **Nov. 22, 2004**

(51) **LOC (8) Cl.** **26-03**

(52) **U.S. Cl.** **D26/76; D26/85**

(58) **Field of Classification Search** **D26/75-78, D26/85; 362/217-223, 348, 147**

See application file for complete search history.

(56) **References Cited**

U.S. PATENT DOCUMENTS

4,536,830 A * 8/1985 Wisniewski 362/223

(Continued)

OTHER PUBLICATIONS

Product Spec. Sheet, Peerlite by Peerless, CERRA Suspended and Surface Mount, T5/T5HO Modular, 2004.

(Continued)

Primary Examiner—Clare E Heflin

(74) *Attorney, Agent, or Firm*—Donald L. Beeson; Beeson Skinner Beverly, LLP

(57) **CLAIM**

The ornamental design for a lighting fixture, as shown and described.

DESCRIPTION

FIG. 1 is a bottom perspective view of a lighting fixture showing my new design;

FIG. 2 is right end elevational view thereof, the left end being a mirror image;

FIG. 3 is a bottom plan view thereof;

FIG. 4 is a front elevational view thereof;

FIG. 5 is a top plan view thereof; and

FIG. 6 is a rear elevational view thereof.

FIG. 7 is a bottom perspective view of a lighting fixture showing an alternative embodiment of my new design; and

FIG. 8 is right end elevational view thereof, the left end being a mirror image, and the bottom plan, front elevational, top plan, and rear elevational views thereof being the same as FIGS. 3-6.

FIG. 9 is a bottom perspective view of a lighting fixture showing a another alternative embodiment of my new design;

FIG. 10 is bottom plan view thereof, the right end elevational view thereof being the same as FIG. 2, and the left end being a mirror image;

FIG. 11 is a front elevational view thereof;

FIG. 12 is a top plan view thereof; and

FIG. 13 is a rear elevational view thereof.

FIG. 14 is a bottom perspective view of a lighting fixture showing a further alternative embodiment of my new design;

FIG. 15 is right end elevational view thereof, the left end being a mirror image;

FIG. 16 is a bottom plan view thereof;

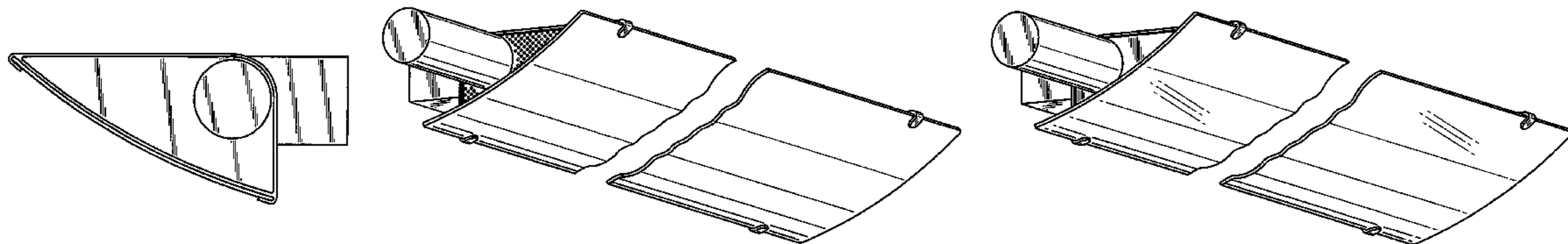
FIG. 17 is a front elevational view thereof;

FIG. 18 is a top plan view thereof; and,

FIG. 19 is a rear elevational view thereof.

FIGS. 1, 3-7, 9-13, 14 and 16-19 are broken away to indicate indeterminate length. The broken lines in FIGS. 5-6, 12-13, and 18-19 represent the bounds of the claimed design; the region within these broken lines forms no part of our claimed design. The curved shield portion of the lighting fixture shown in FIGS. 9-13 is shaded for translucency. The broken line showing of folded over tabs in FIGS. 14-17 is for illustrative purposes only and forms no part of the claimed design embodiment shown in FIGS. 14-19.

1 Claim, 10 Drawing Sheets



US D546,493 S

Page 2

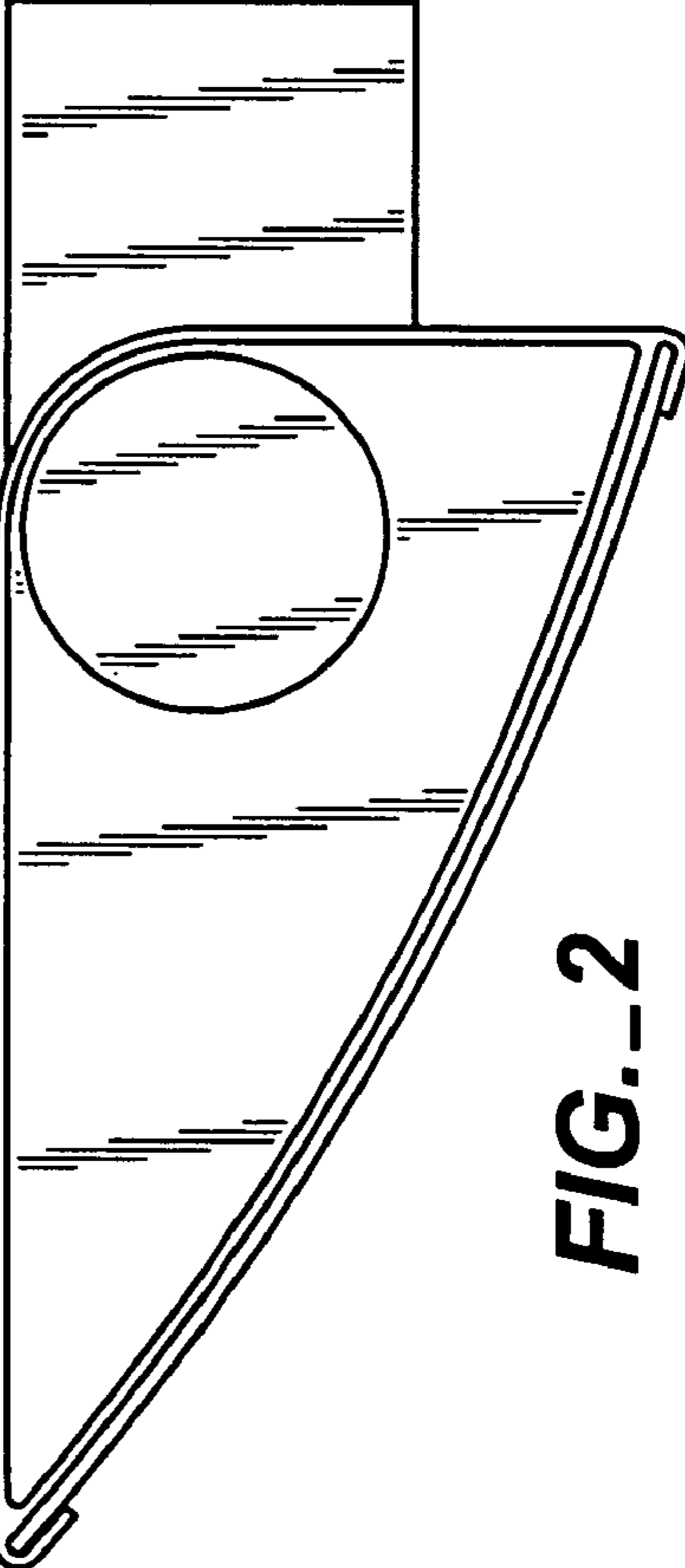
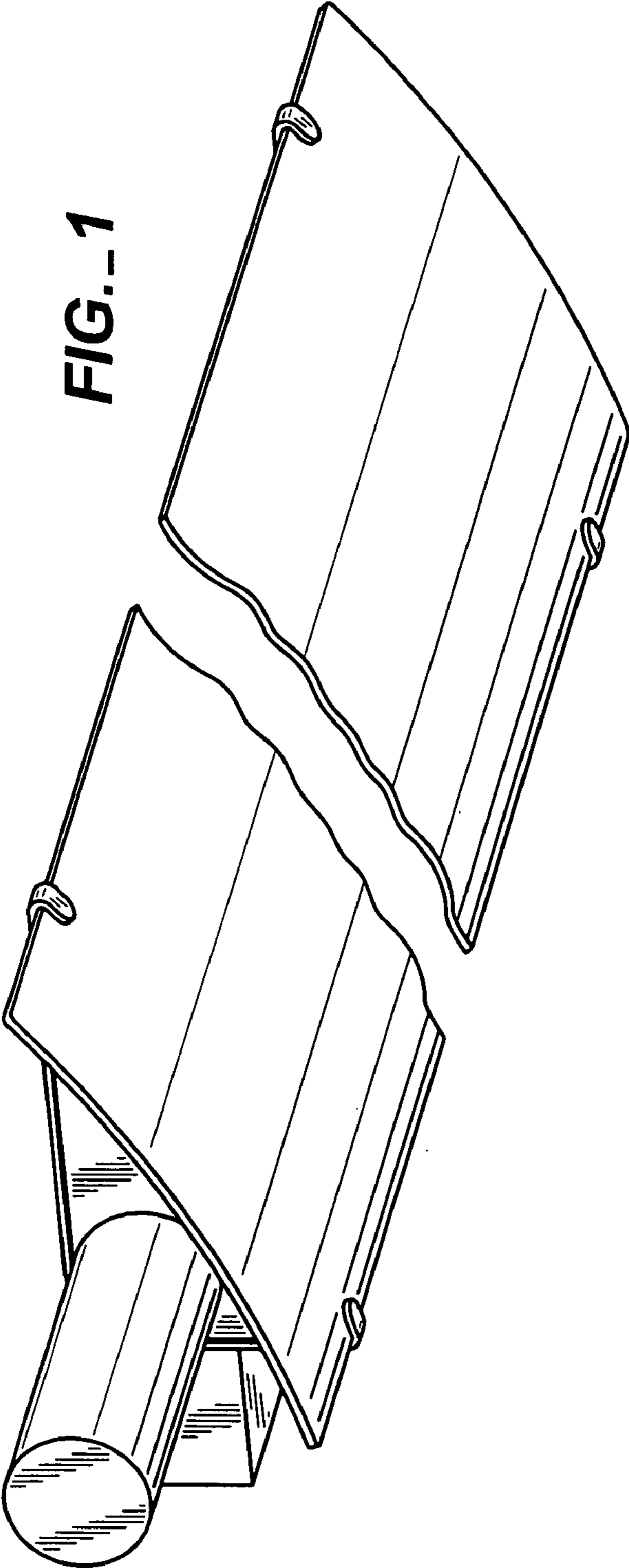
U.S. PATENT DOCUMENTS

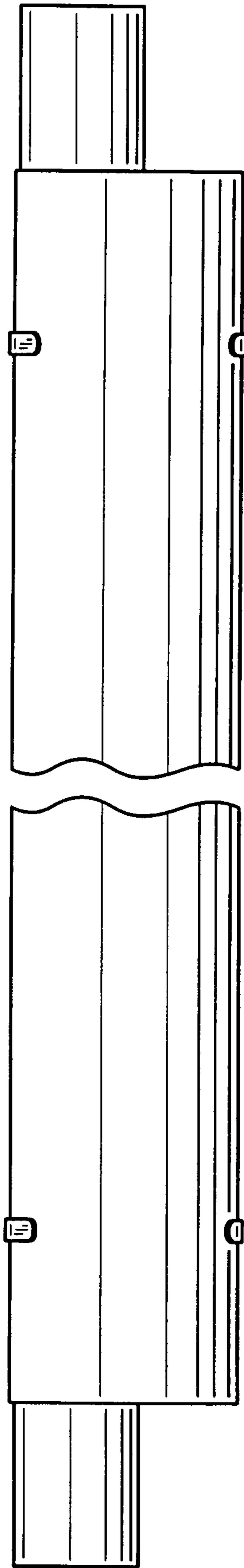
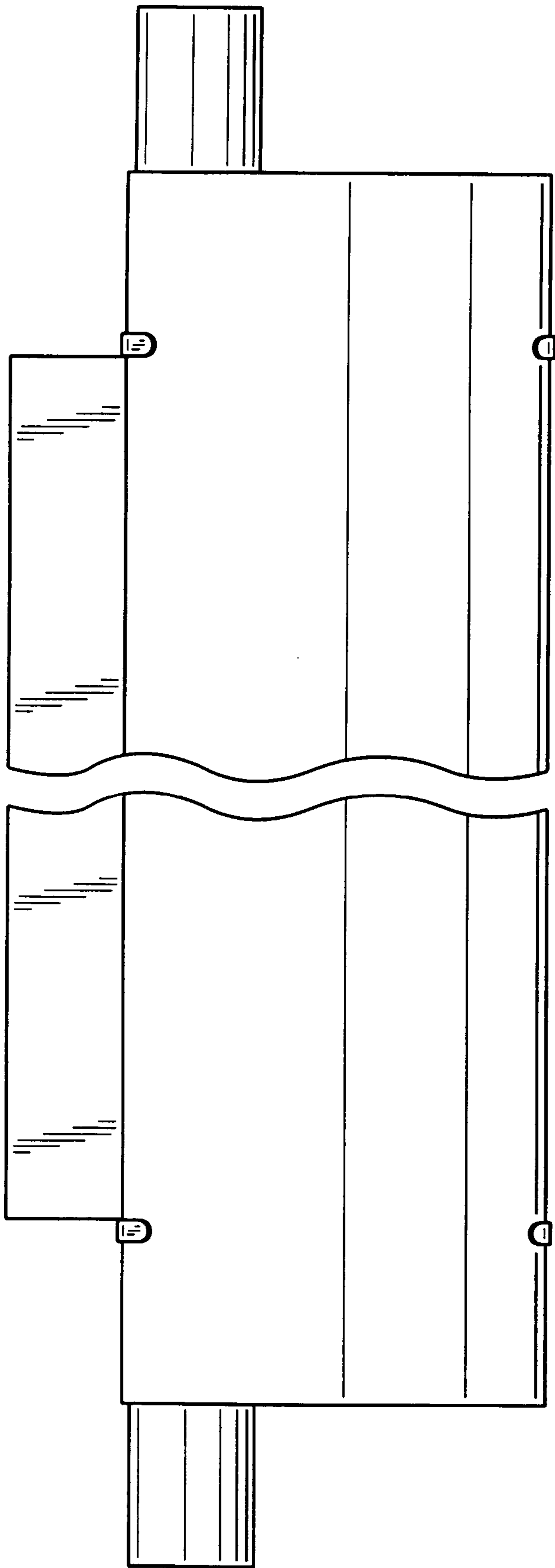
4,799,136 A * 1/1989 Molnar 362/300
5,593,225 A * 1/1997 Safyan 362/427
D415,304 S * 10/1999 Brown D26/87
D421,146 S * 2/2000 Poulton D26/76
D432,696 S * 10/2000 Ford D26/76
6,386,723 B1 * 5/2002 Eberlein et al. 362/33
D468,473 S * 1/2003 Shemitz et al. D26/76
D472,007 S * 3/2003 Weitgasser D26/76
D512,526 S * 12/2005 Zucker D26/76
D513,439 S * 1/2006 Hetfield D26/76

OTHER PUBLICATIONS

Product Brochure, Peerless Lighting, Lightfoil 9 (9"×3" Indirect),
2000.
Product Brochure, Peerless Lighting, Lightfoil 9 (9"×3" Indirect
Wall-Mounted), 2000.
Product Brochure, Peerless Lighting, Lightduct Diminutive, 2000.
Product Brochure, Peerless Lighting, Lightfin Diminutive, 2000.
Product Brochure, Peerless Lighting, Envision Indirect, 2000.
Product Brochure, Peerless Lighting, Lightedge Wall Curved,2002.

* cited by examiner





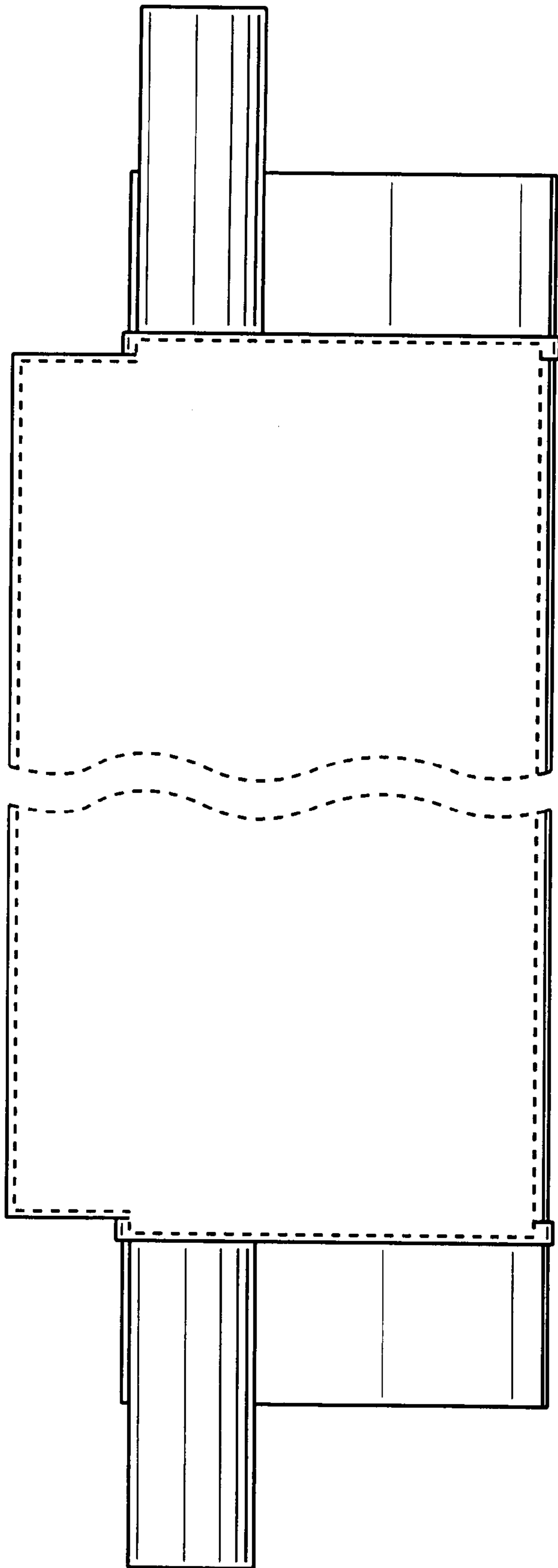


FIG. 5

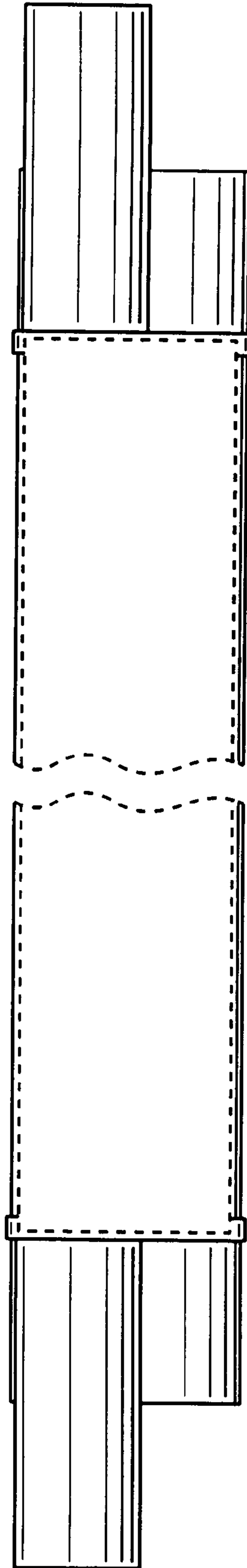
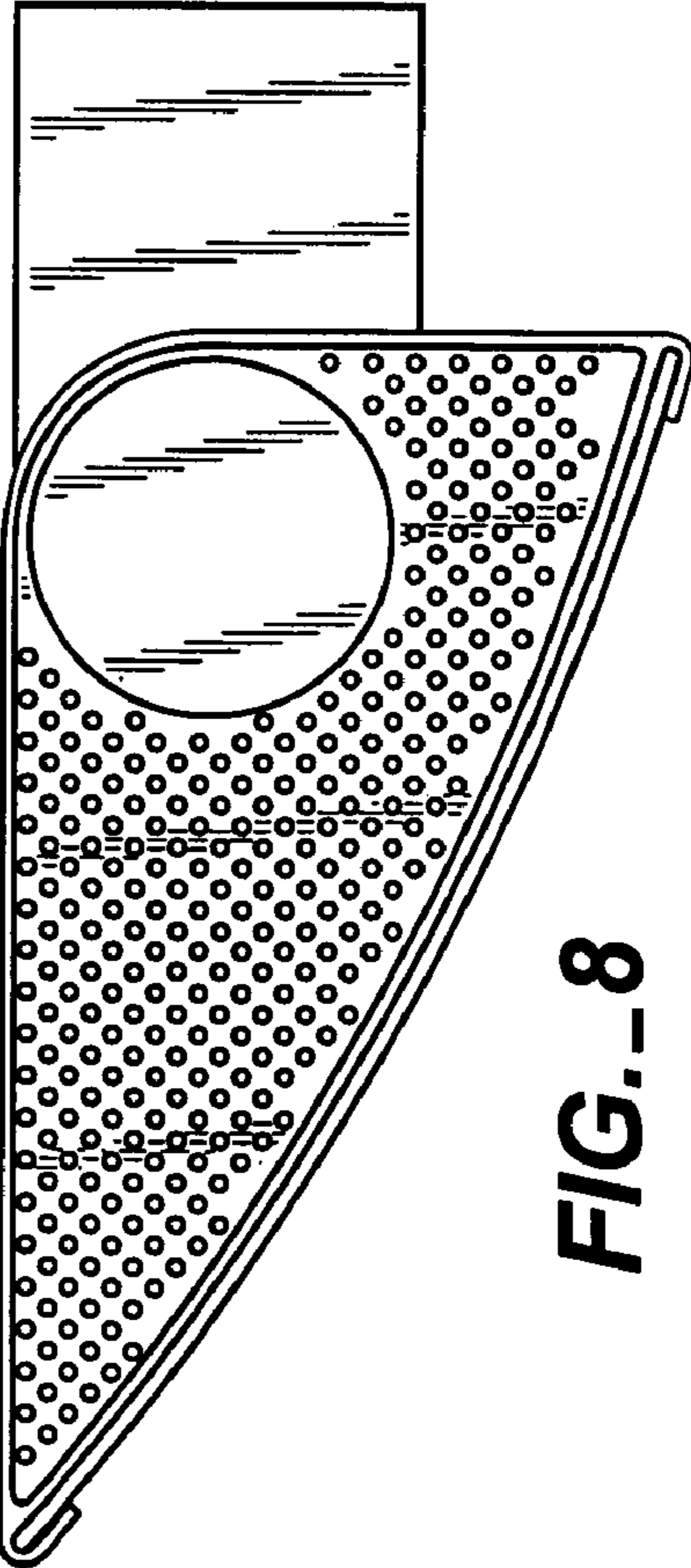
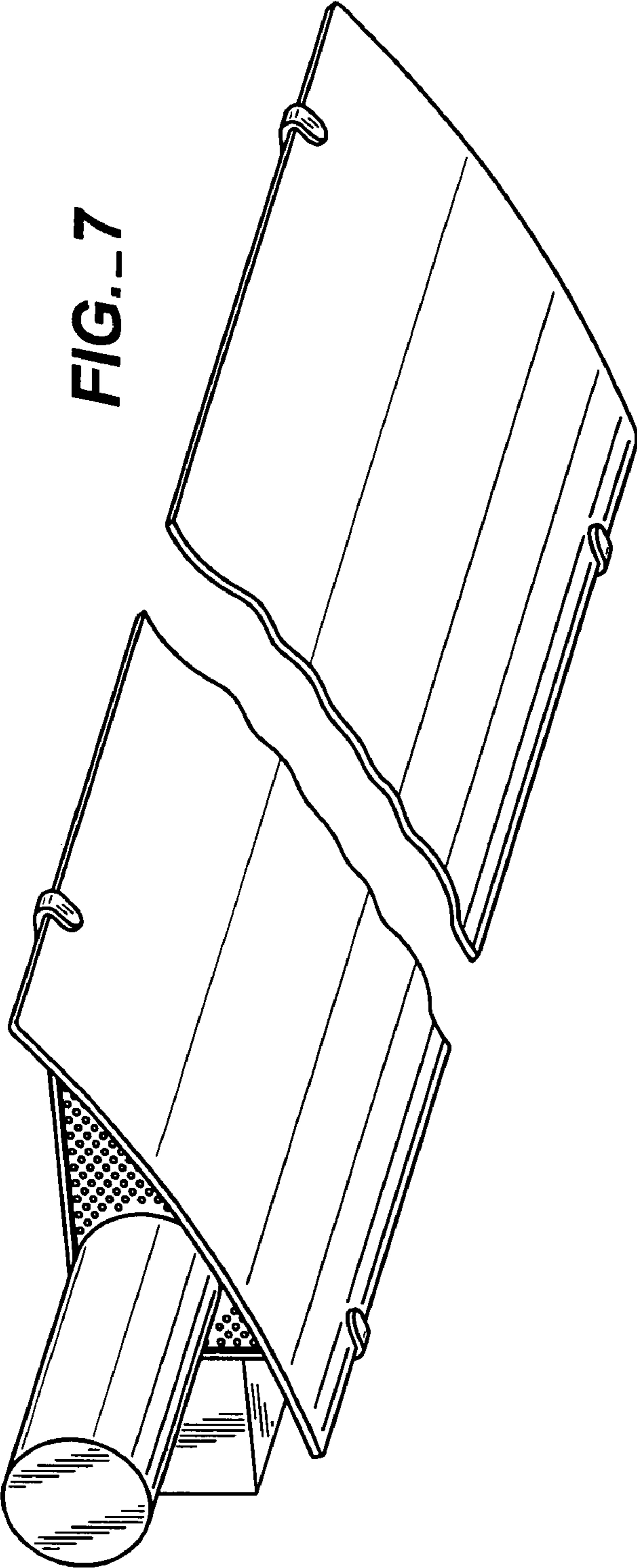


FIG. 6



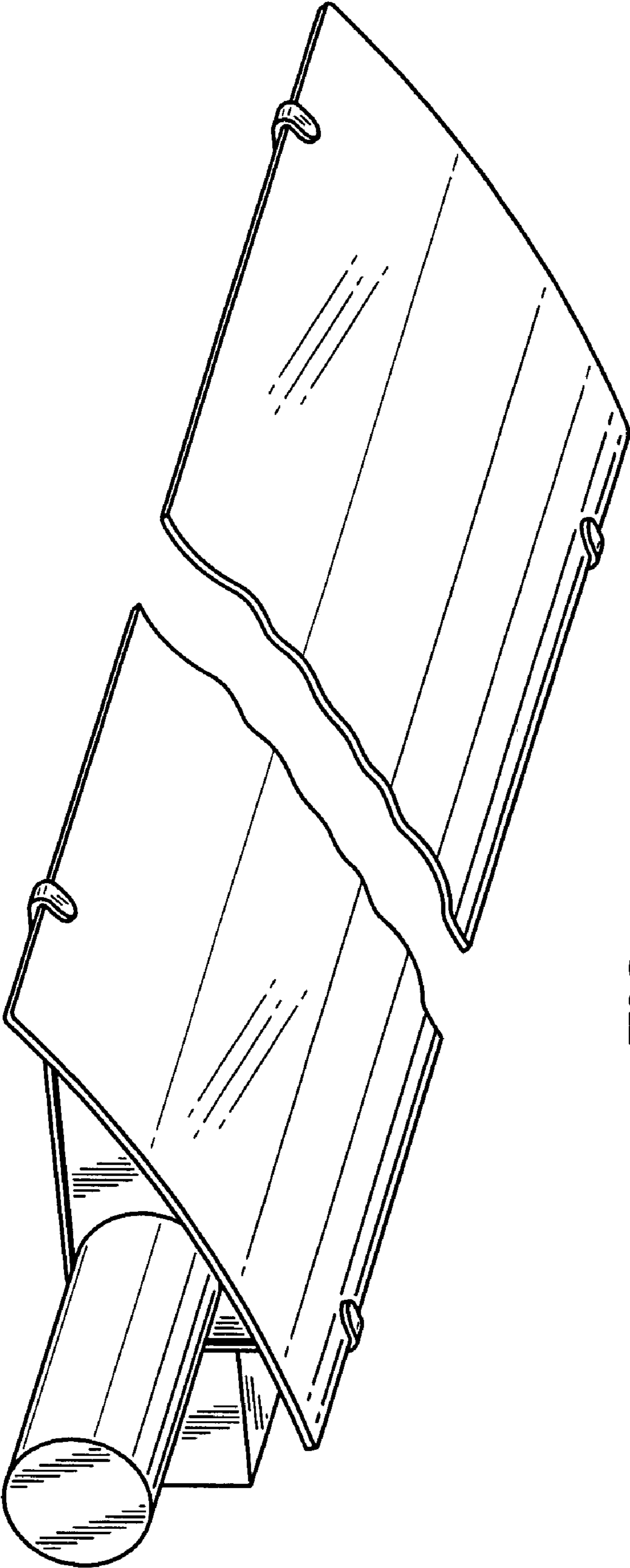
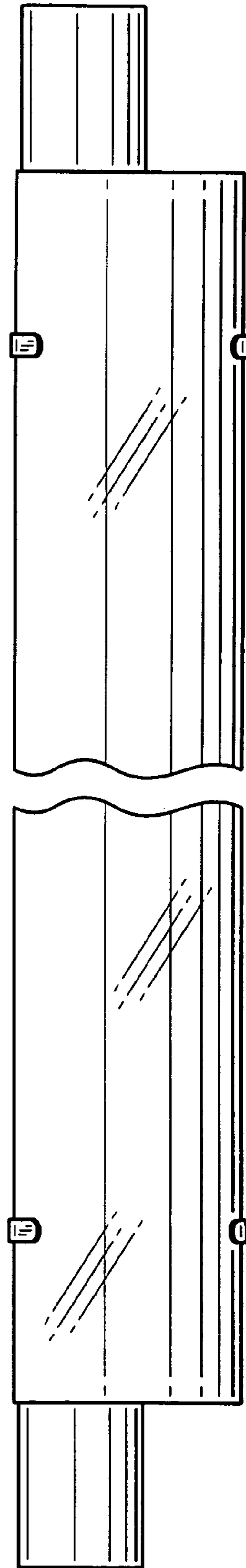
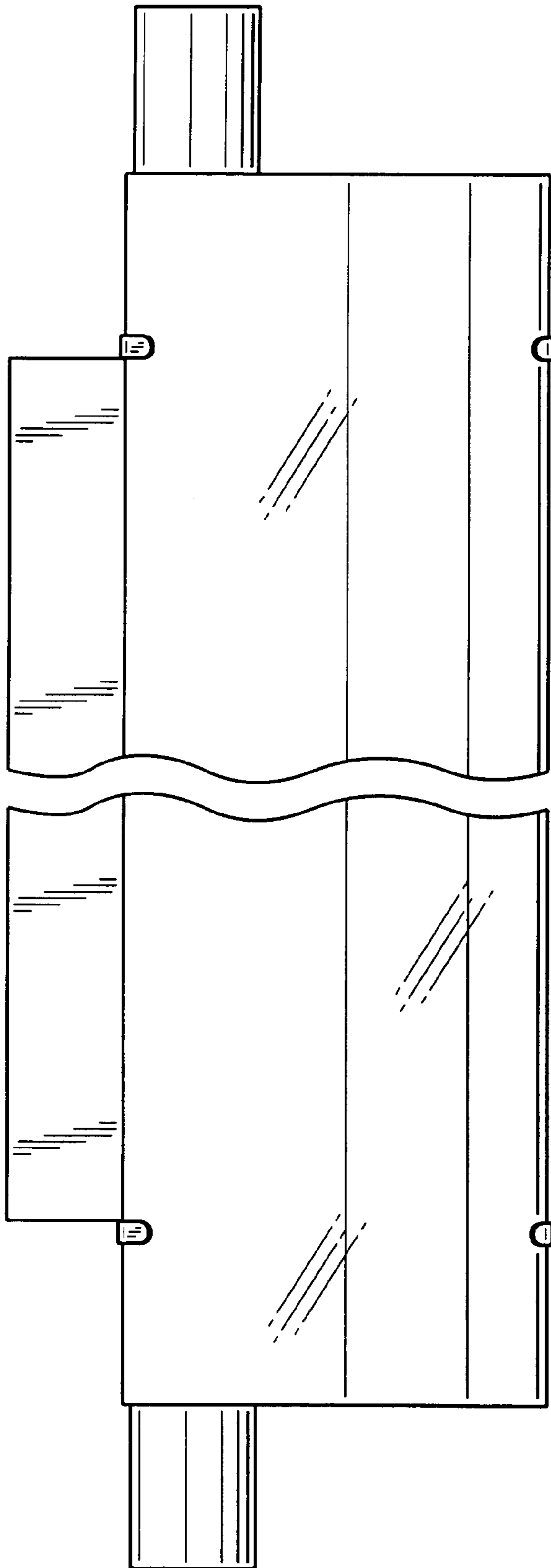


FIG.--9



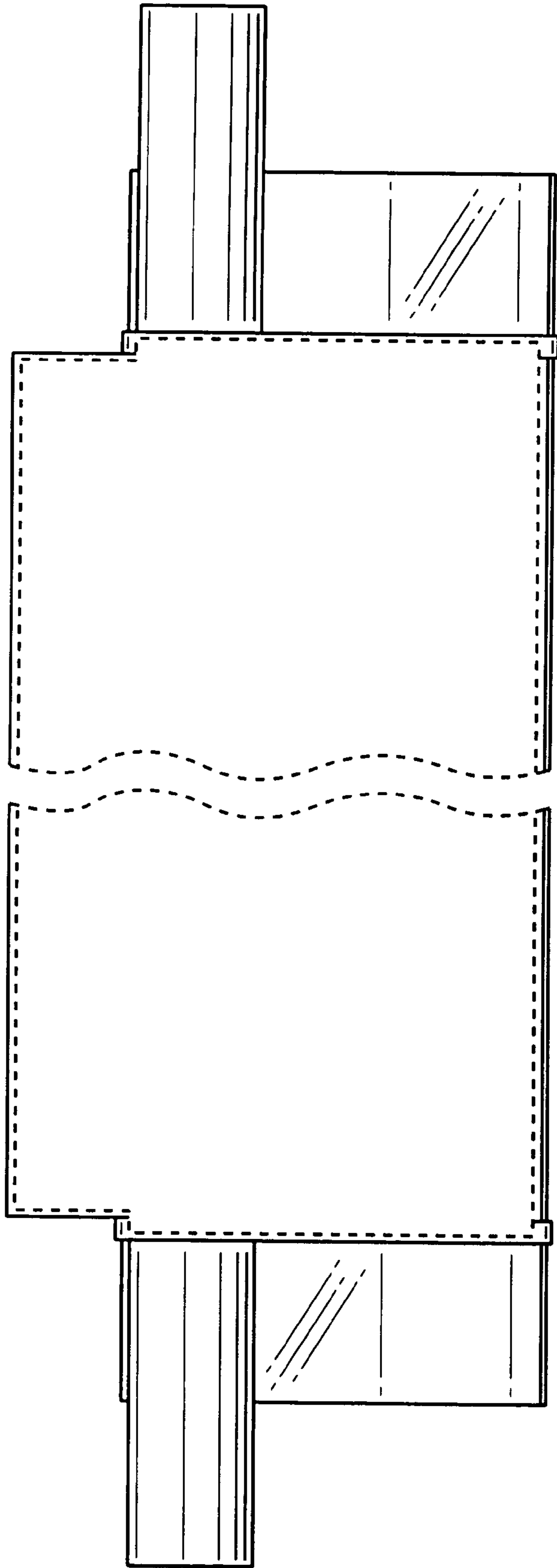


FIG. 12

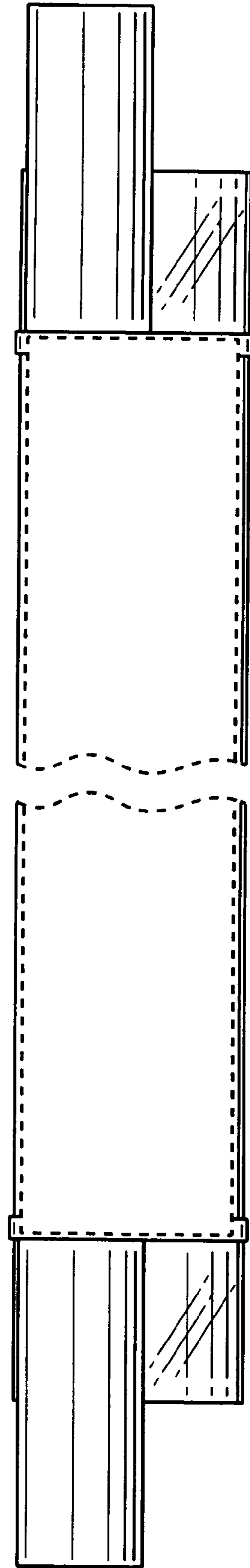
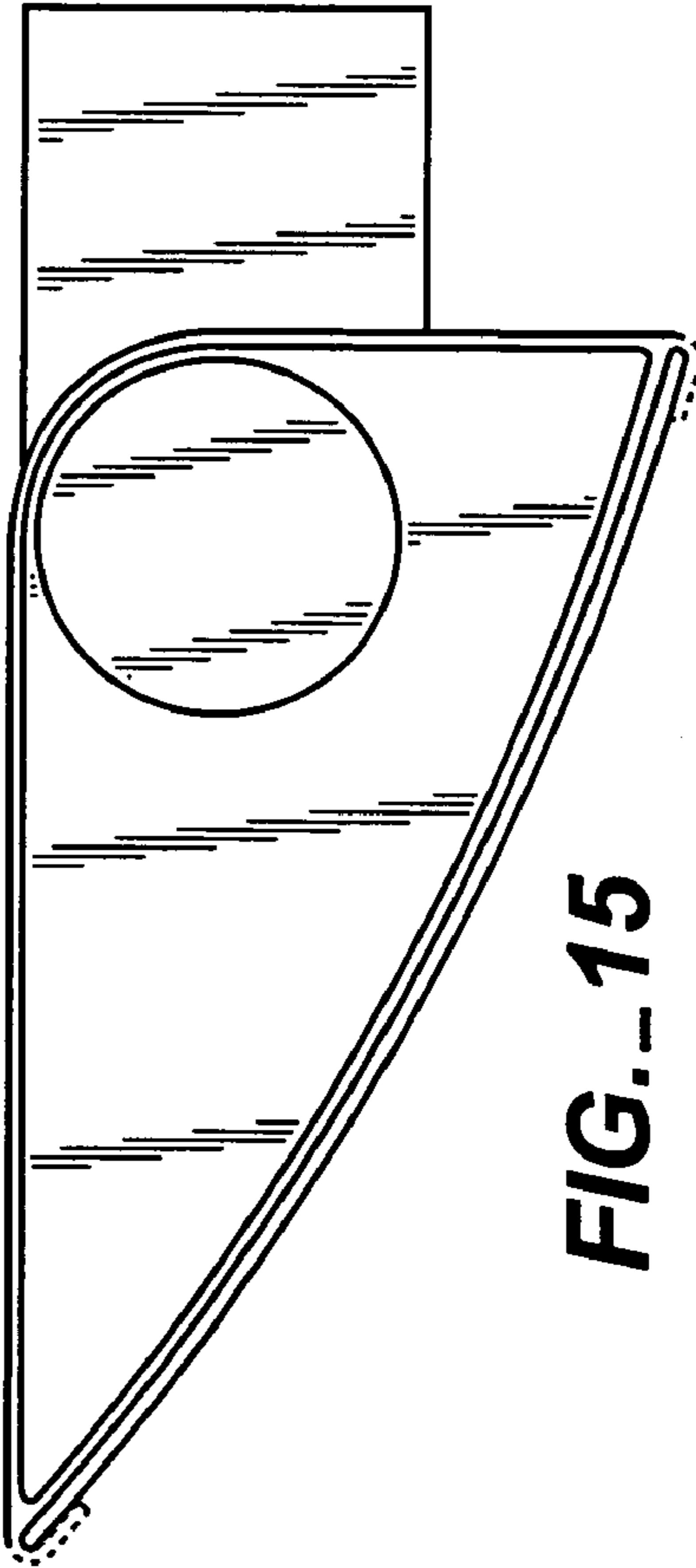
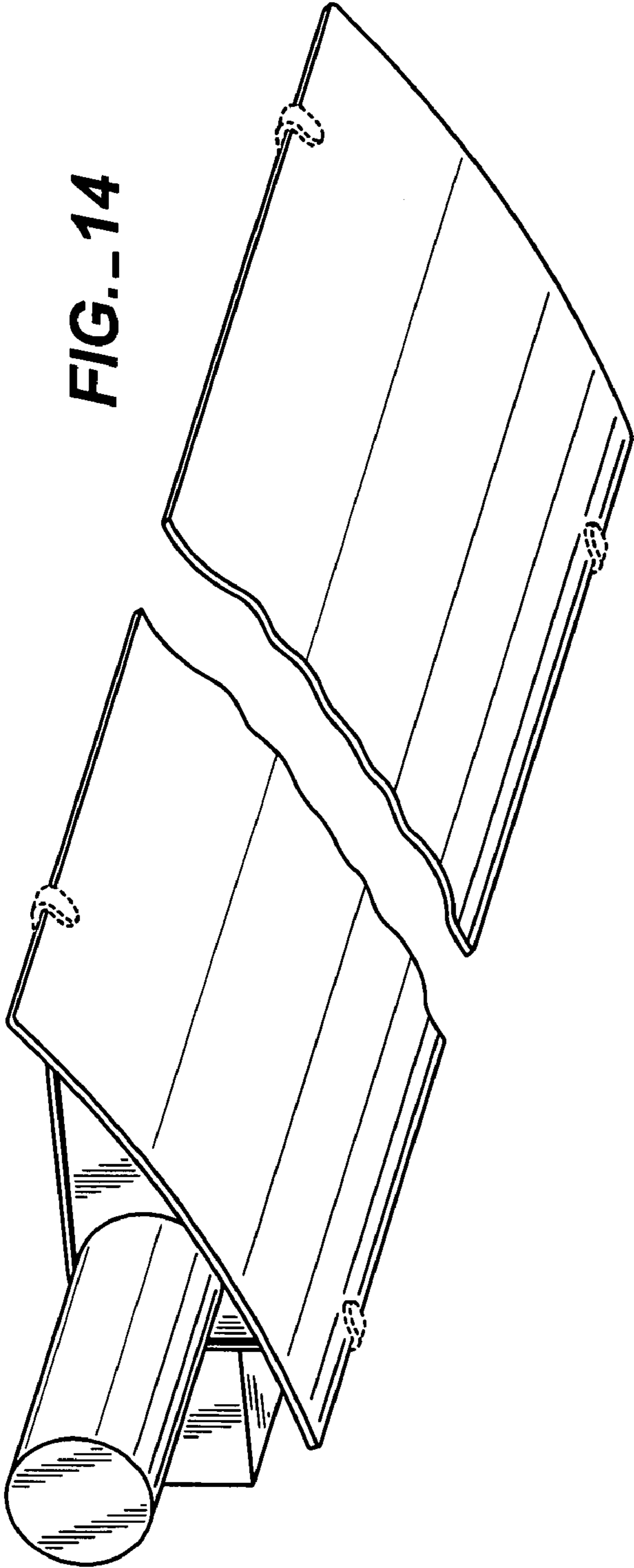


FIG. 13



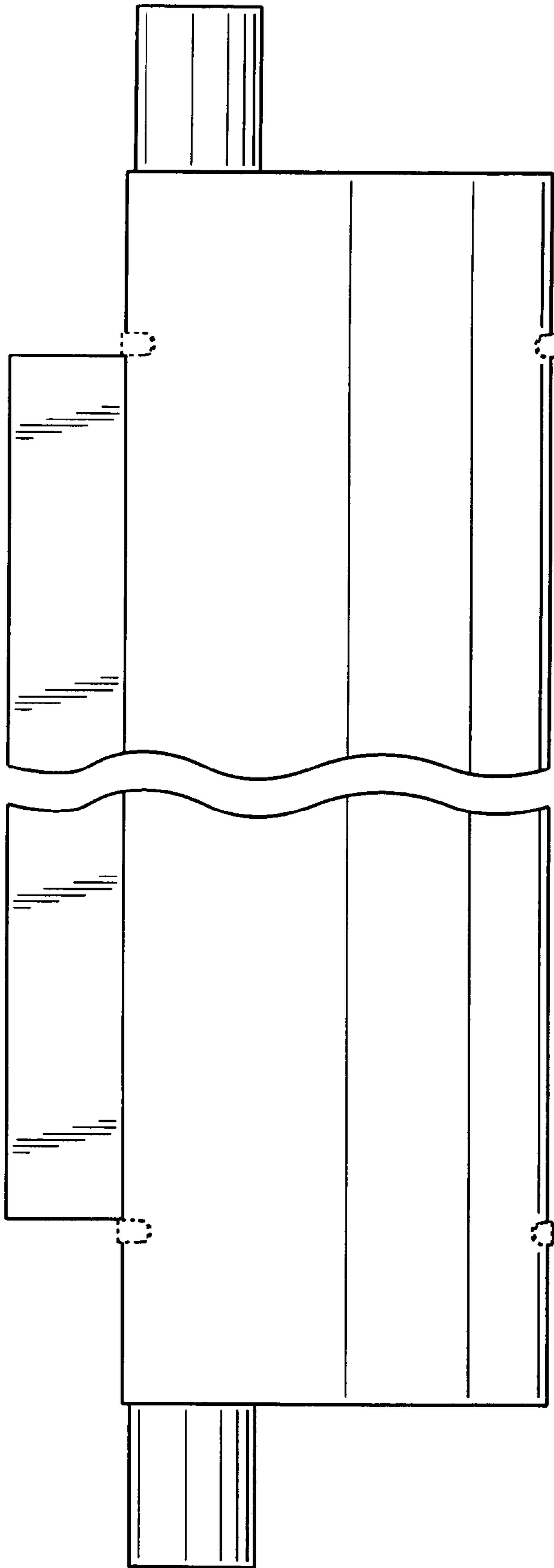


FIG. 16

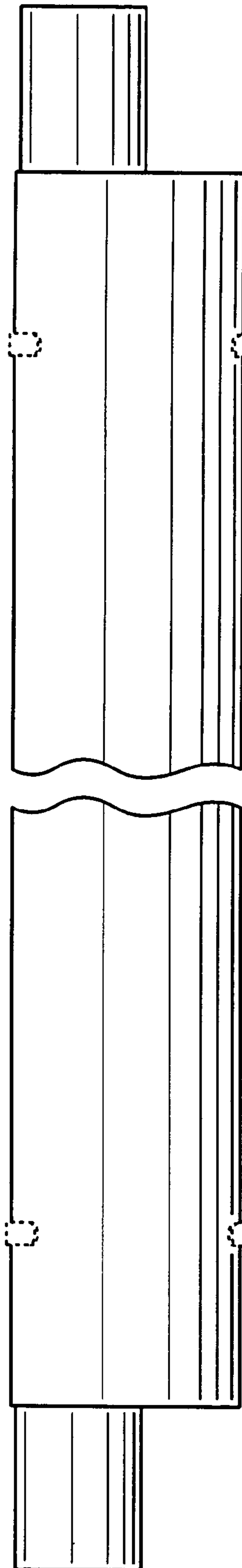


FIG. 17

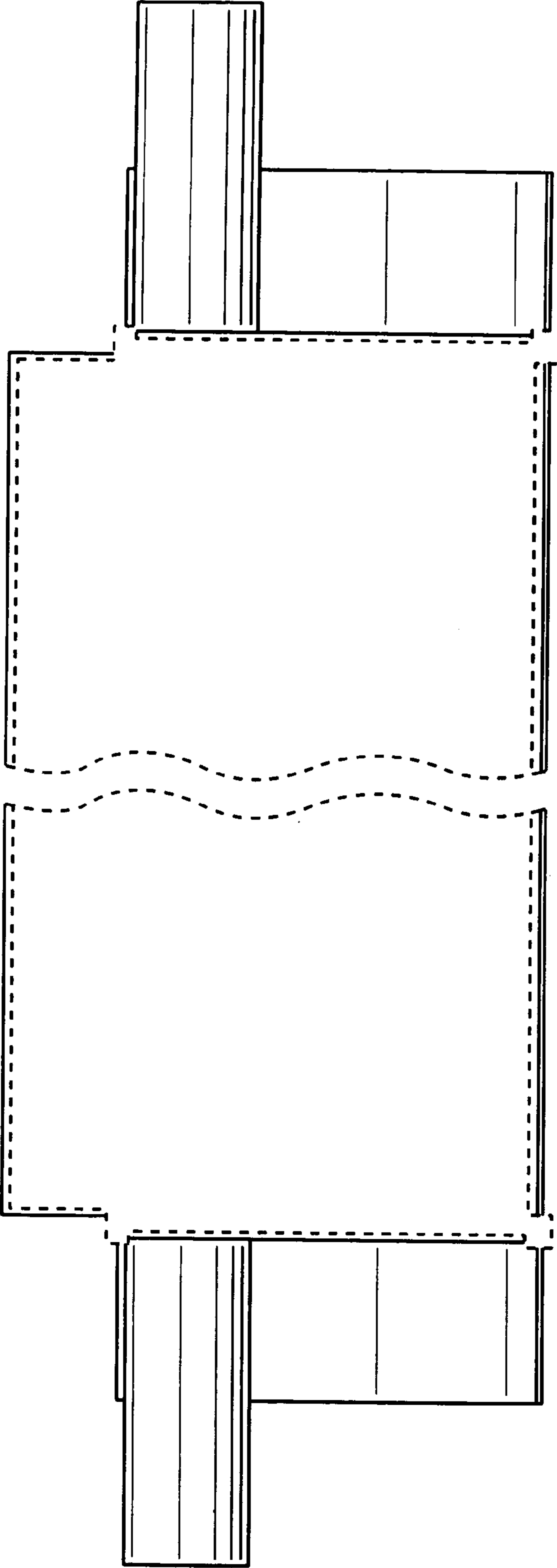


FIG. 18

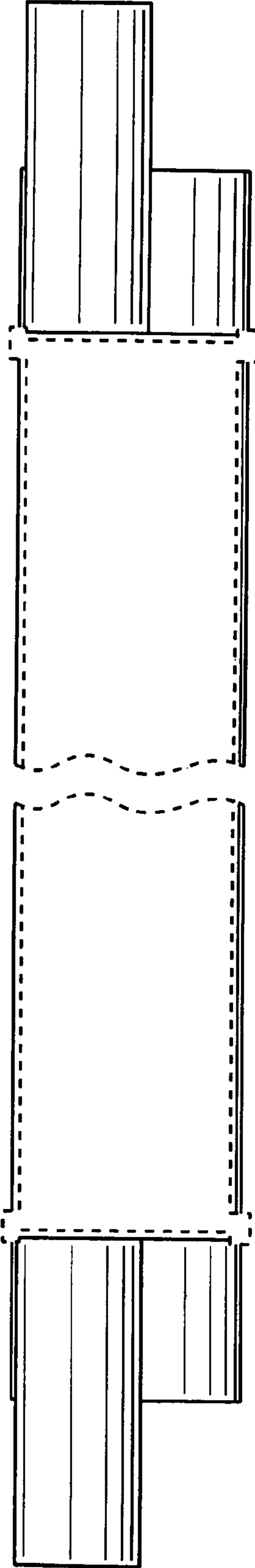


FIG. 19