



US00D546488S

(12) **United States Design Patent**  
**Poon**

(10) **Patent No.:** **US D546,488 S**

(45) **Date of Patent:** **\*\* Jul. 10, 2007**

(54) **PORTABLE RECHARGEABLE LANTERN**

D486,932 S *	2/2004	Dario et al.	.....	D26/40
D487,809 S *	3/2004	Leung et al.	.....	D26/40
D509,921 S *	9/2005	Lam	.....	D26/40
D524,968 S *	7/2006	Poon	.....	D26/40

(75) Inventor: **Tit Wing Poon**, Fo Tan (HK)

(73) Assignee: **Flying Dragon Development Limited**,  
New Territories (HK)

\* cited by examiner

(\*\*) Term: **14 Years**

*Primary Examiner*—Marcus A. Jackson  
(74) *Attorney, Agent, or Firm*—Intellectual Property Law  
Group LLP; Otto O. Lee; Juneko Jackson

(21) Appl. No.: **29/276,755**

(22) Filed: **Feb. 2, 2007**

(57) **CLAIM**

(30) **Foreign Application Priority Data**

Oct. 13, 2006 (HK) ..... 0602635

The ornamental design for a portable rechargeable lantern,  
as shown and described.

(51) **LOC (8) Cl.** ..... **26-02**

(52) **U.S. Cl.** ..... **D26/40**

(58) **Field of Classification Search** ..... D26/37–50,  
D26/40; 362/157, 158, 171–174, 183–208  
See application file for complete search history.

**DESCRIPTION**

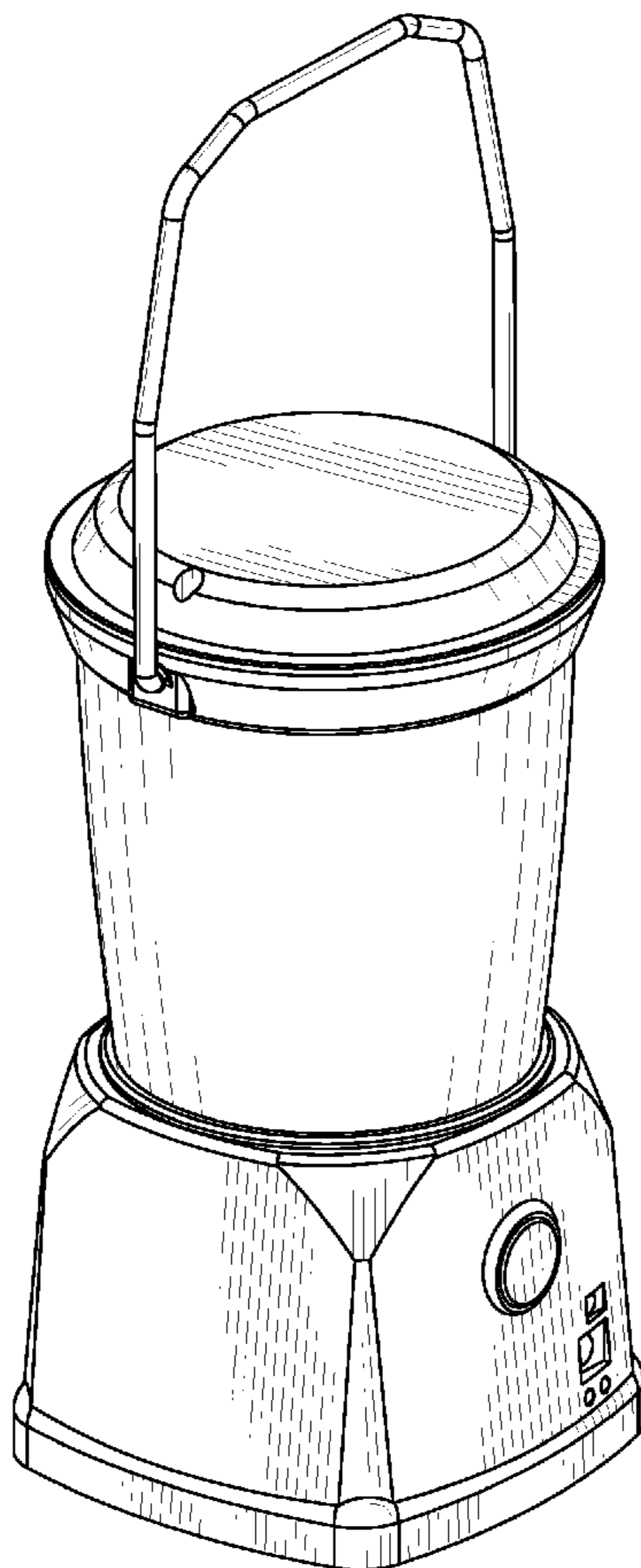
FIG. 1 is a perspective view of a portable rechargeable lantern embodying my new design;  
FIG. 2 is a front elevational view thereof;  
FIG. 3 is a rear elevational view thereof;  
FIG. 4 is a left side elevational view thereof;  
FIG. 5 is a right side elevational view of thereof;  
FIG. 6 is a top plan view thereof; and,  
FIG. 7 is a bottom plan view thereof.

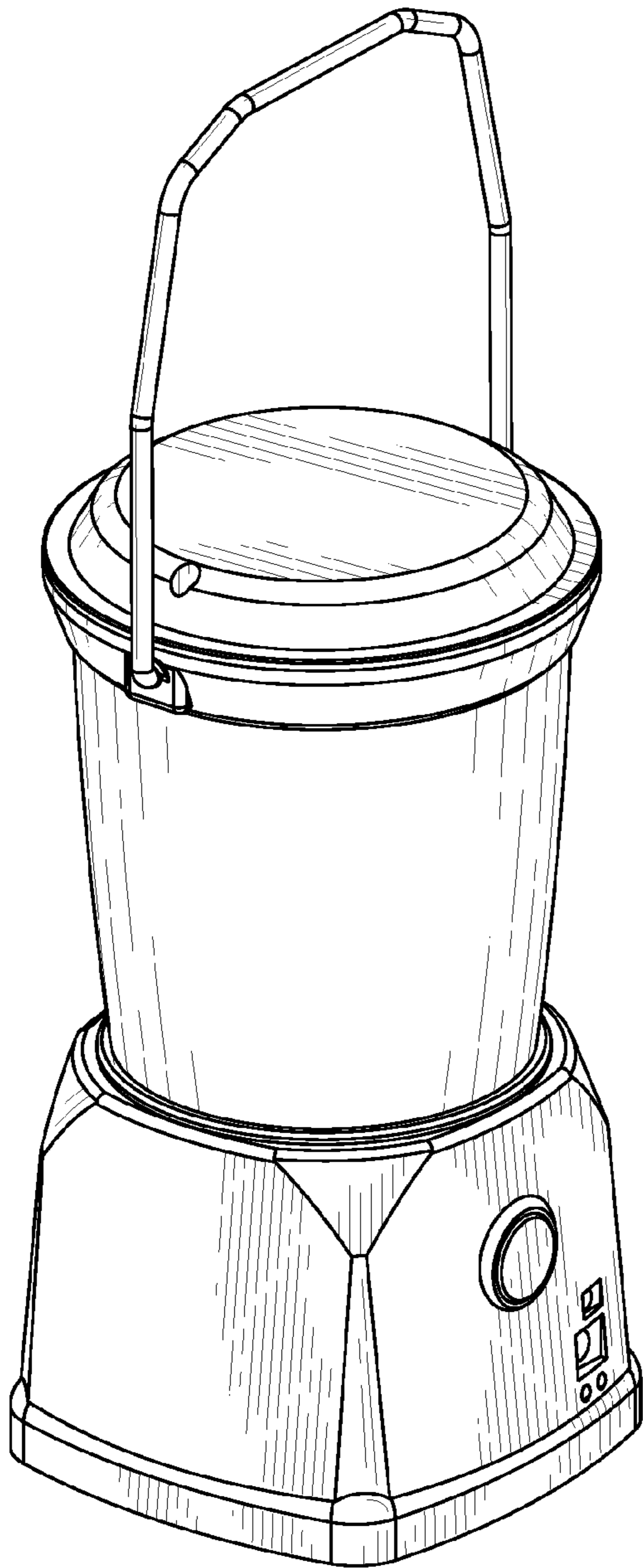
(56) **References Cited**

U.S. PATENT DOCUMENTS

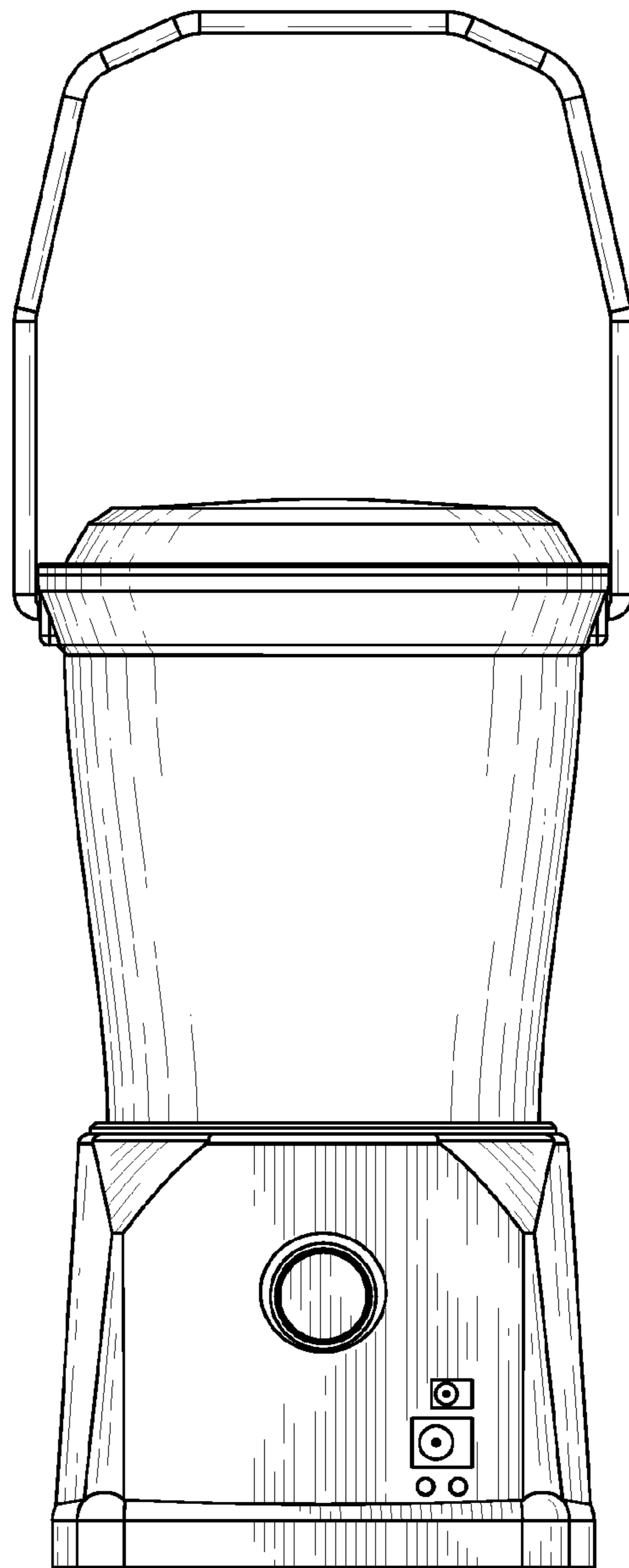
D443,088 S *	5/2001	Skidmore et al.	.....	D26/40
D468,039 S *	12/2002	Poon	.....	D26/40
D483,892 S *	12/2003	Poon	.....	D26/40

**1 Claim, 3 Drawing Sheets**

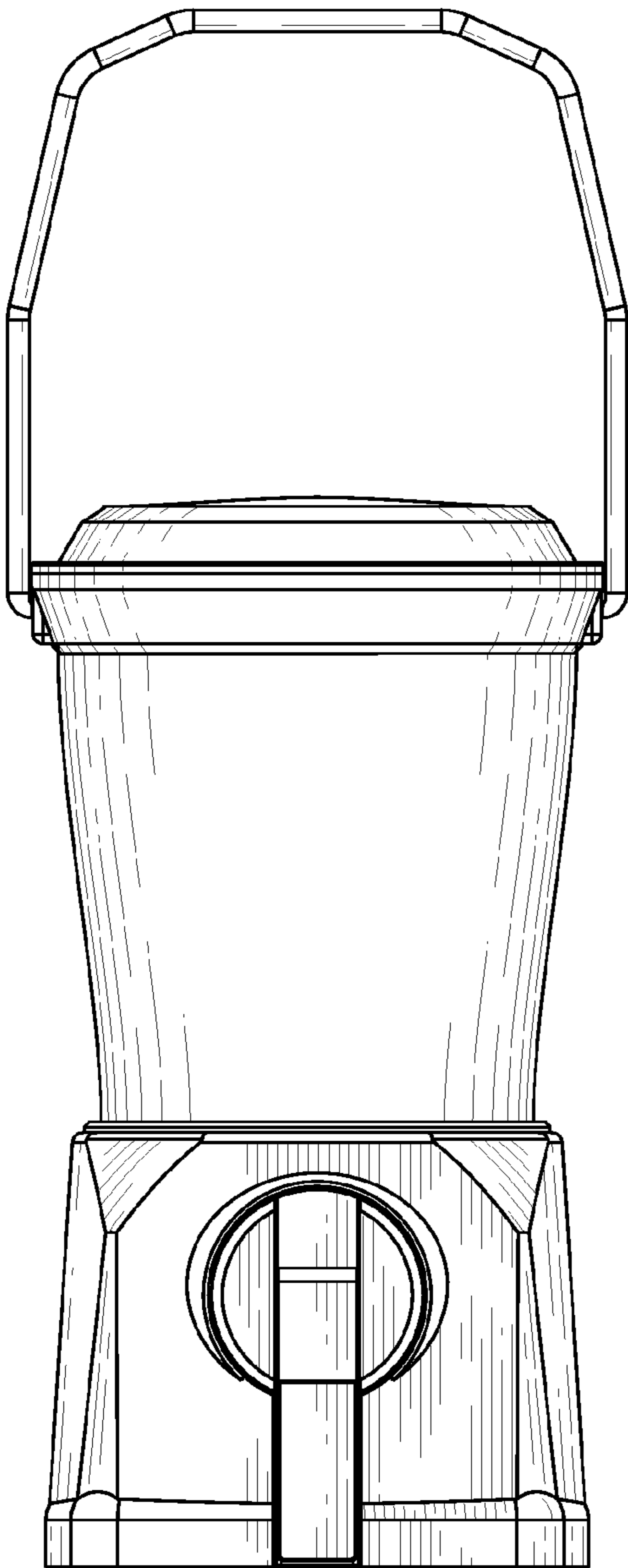




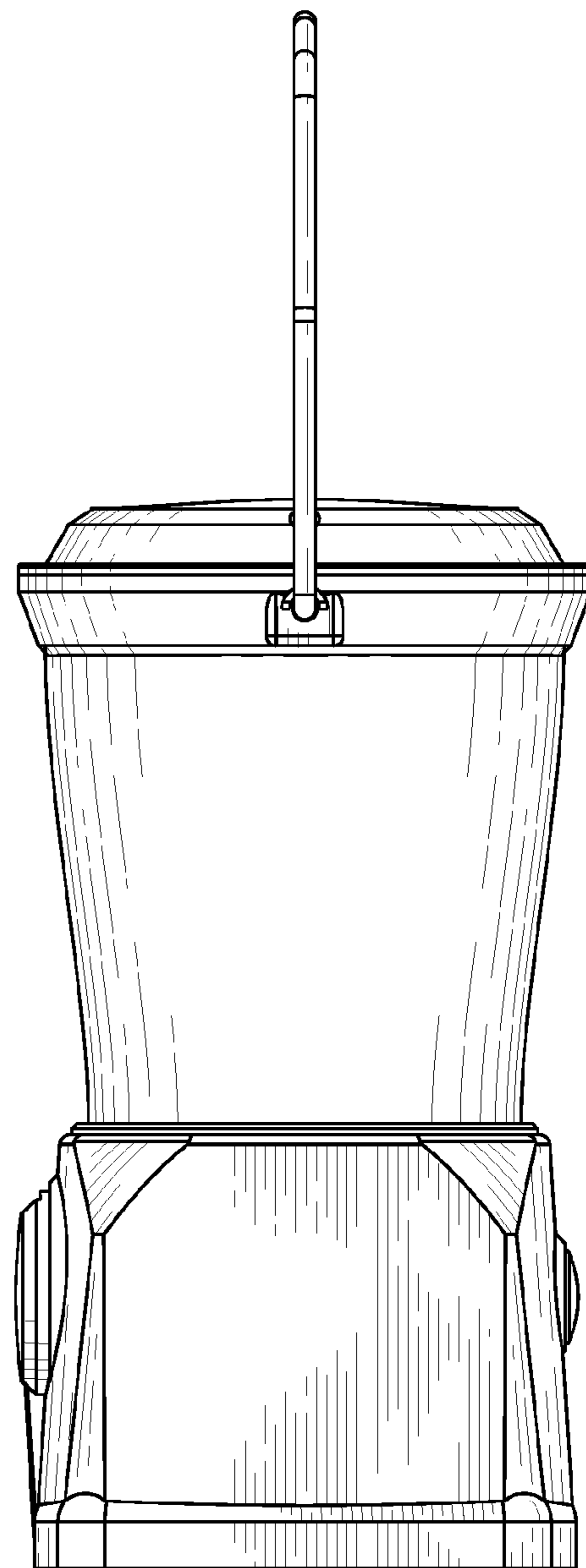
**FIG. 1**



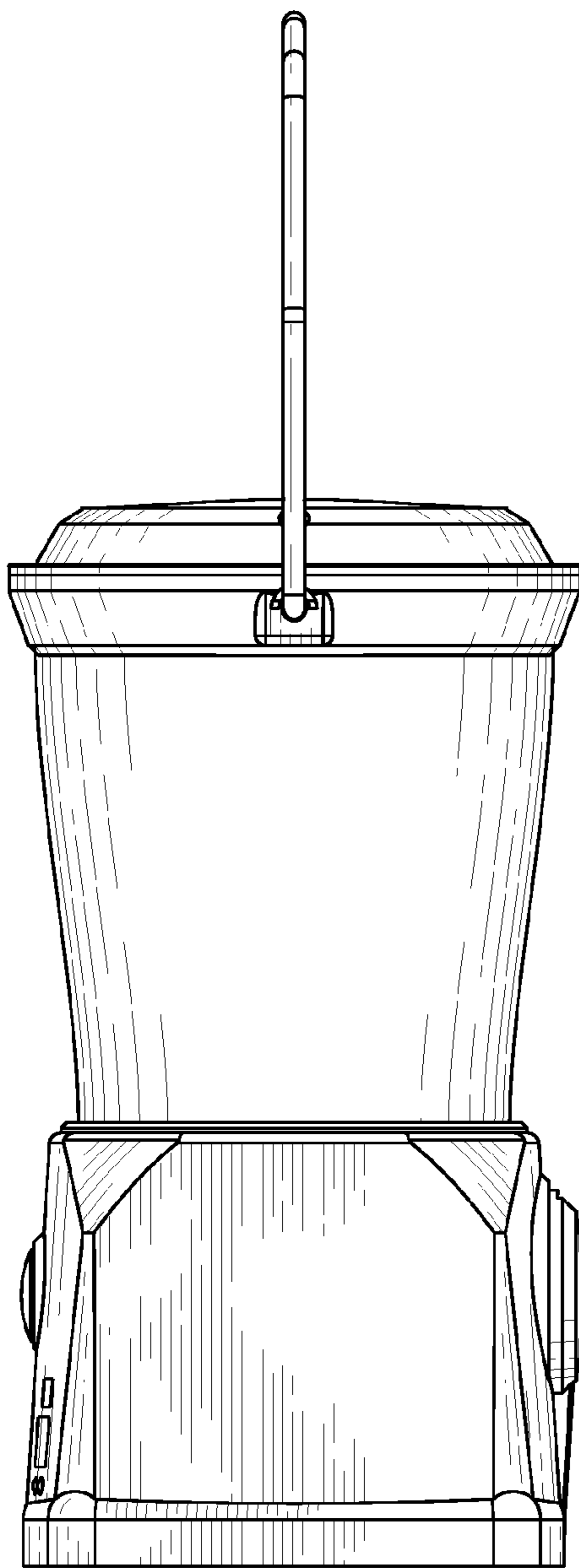
**FIG. 2**



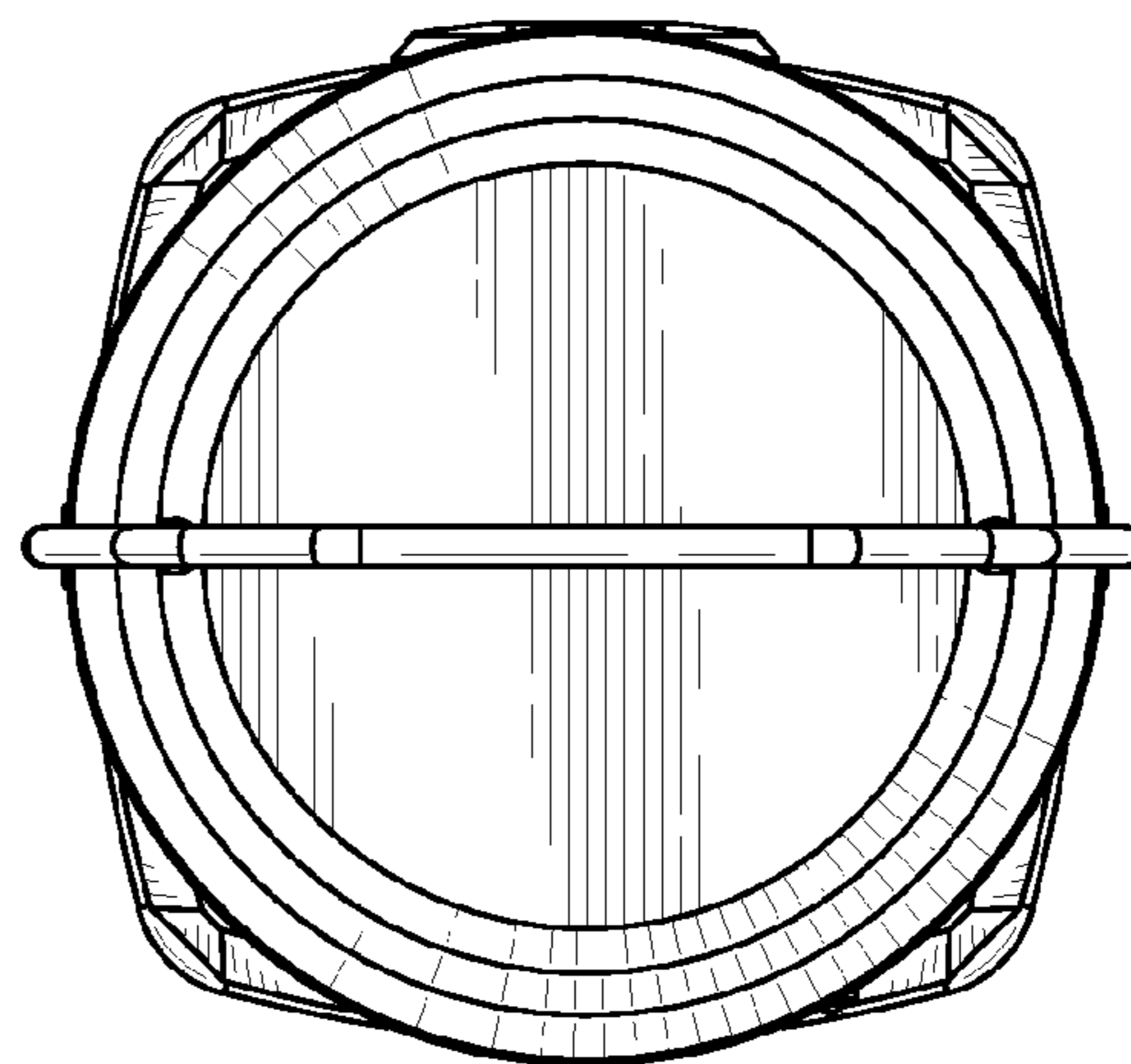
**FIG. 3**



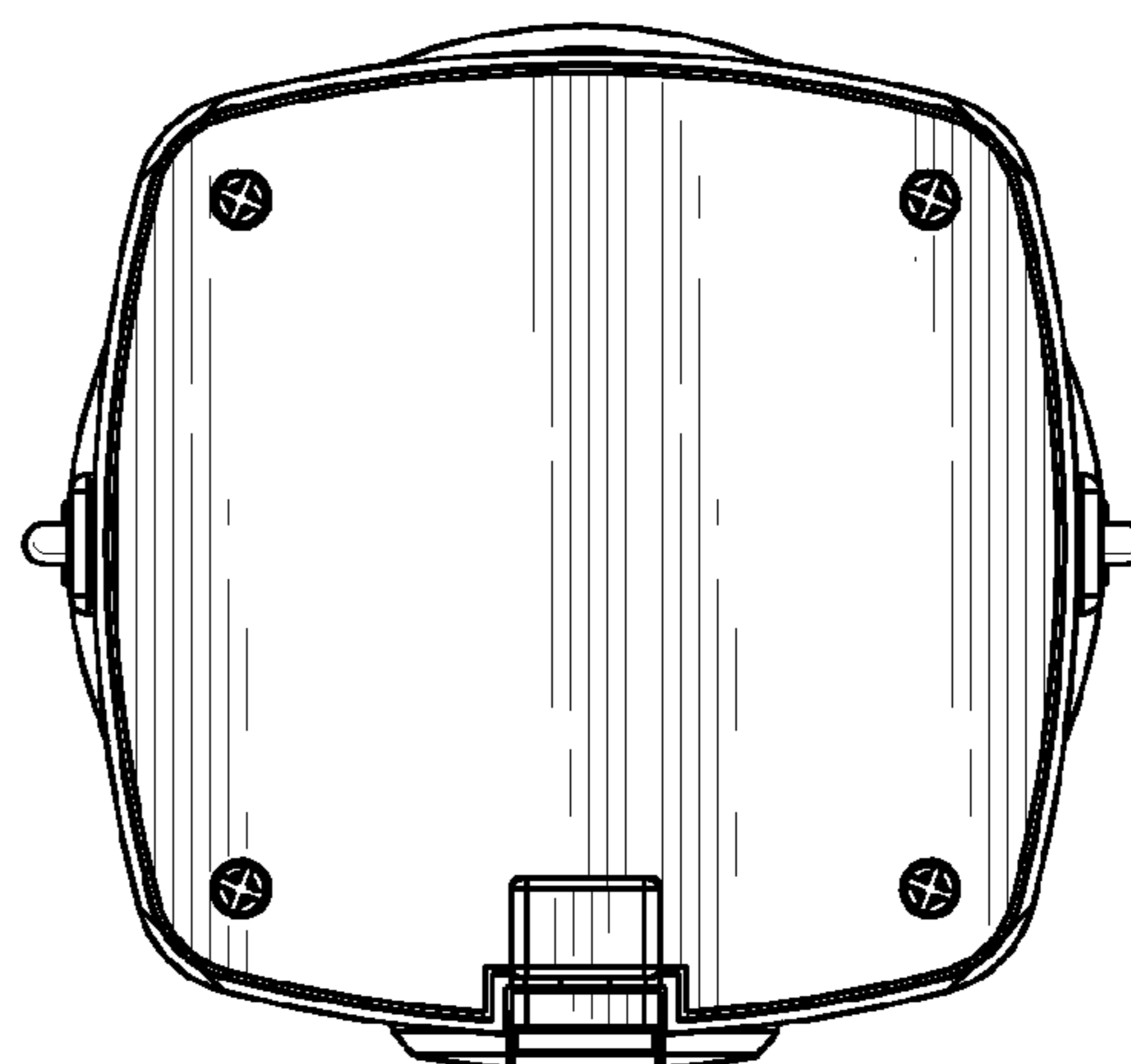
**FIG. 4**



**FIG. 5**



**FIG. 6**



**FIG. 7**