



US00D546485S

(12) **United States Design Patent**
Bachynsky et al.

(10) **Patent No.:** **US D546,485 S**

(45) **Date of Patent:** **** Jul. 10, 2007**

(54) **LIGHT**

(75) Inventors: **Leo Bachynsky**, Smithville, VA (US);
Ronald L. Salatrik, Davisburg, MI (US)

(73) Assignee: **Federal-Mogul World Wide, Inc.**,
Southfield, MI (US)

(**) Term: **14 Years**

(21) Appl. No.: **29/263,875**

(22) Filed: **Jul. 31, 2006**

(51) **LOC (8) Cl.** **26-06**

(52) **U.S. Cl.** **D26/28; D26/74; D26/89**

(58) **Field of Classification Search** D26/28,
D26/74, 85, 88, 89; 362/147, 364, 366, 372,
362/488-494

See application file for complete search history.

(56) **References Cited**

U.S. PATENT DOCUMENTS

| | | | | |
|----------------|---------|-----------------|-------|---------|
| D78,232 S * | 4/1929 | Schnell | | D26/28 |
| D209,536 S * | 12/1967 | McCain | | D26/74 |
| D291,253 S * | 8/1987 | Ortega | | D26/29 |
| 5,508,897 A * | 4/1996 | Van Order | | 362/490 |
| D382,659 S * | 8/1997 | Kaloustian | | D26/28 |
| D386,805 S * | 11/1997 | Bonnette et al. | | D26/74 |
| 6,283,621 B1 * | 9/2001 | Macri | | 362/488 |
| 6,502,969 B2 * | 1/2003 | Logel et al. | | 362/490 |
| D508,141 S * | 8/2005 | Rashidi | | D26/74 |

| | | | |
|-------------------|---------|----------------|---------------|
| 7,093,964 B2 | 8/2006 | Bynum | |
| 7,121,696 B2 * | 10/2006 | Whitfield, Sr. | 362/365 |
| 2005/0174791 A1 | 8/2005 | Bynum | |
| 2005/0276056 A1 * | 12/2005 | Tiesler | 362/490 |
| 2006/0092649 A1 | 5/2006 | Bynum | |

* cited by examiner

Primary Examiner—Clare E Heflin

(74) *Attorney, Agent, or Firm*—Dickinson Wright PLLC

(57) **CLAIM**

The ornamental design for an light, as shown and described.

DESCRIPTION

FIG. 1 is a perspective view of an light;

FIG. 2 is a plan view thereof;

FIG. 3 is a first side elevational view thereof;

FIG. 4 is a second side elevational view thereof;

FIG. 5 is a third side elevational view thereof;

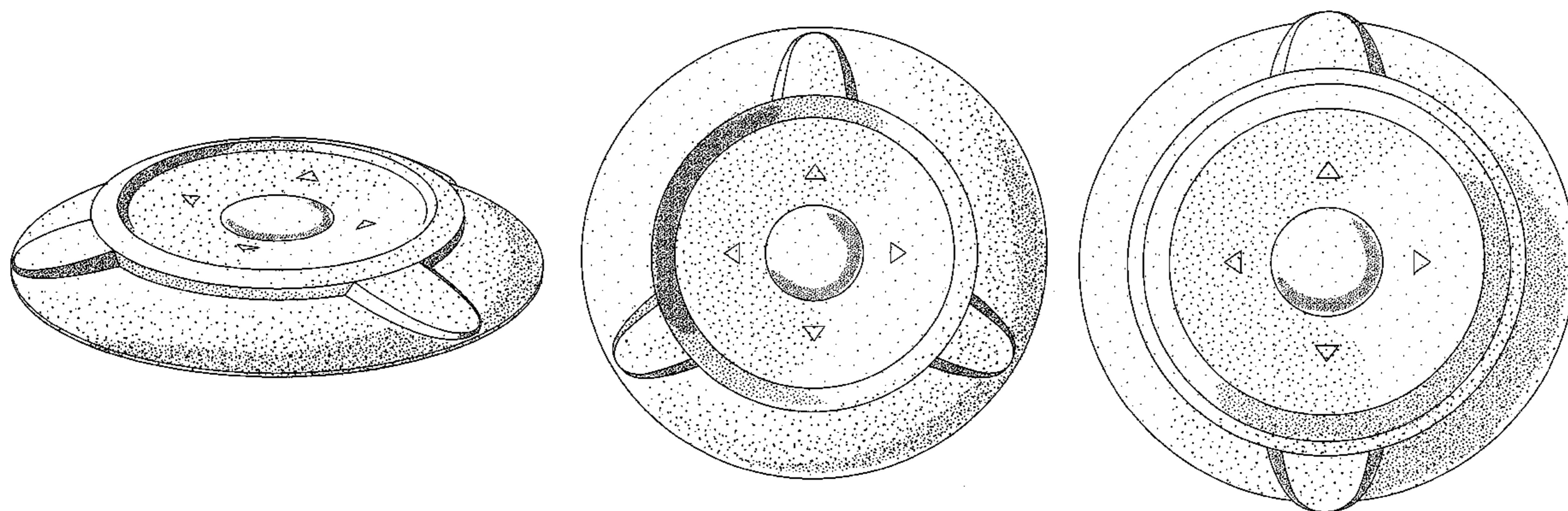
FIG. 6 is a perspective view of an light;

FIG. 7 is a plan view of the light assembly in FIG. 6;

FIG. 8 is a first side elevational view of the light assembly in FIG. 6, the opposing side being a mirror image thereof; and,

FIG. 9 is a second side elevational view of the light assembly in FIG. 6, the opposing side being a mirror image thereof.

1 Claim, 6 Drawing Sheets



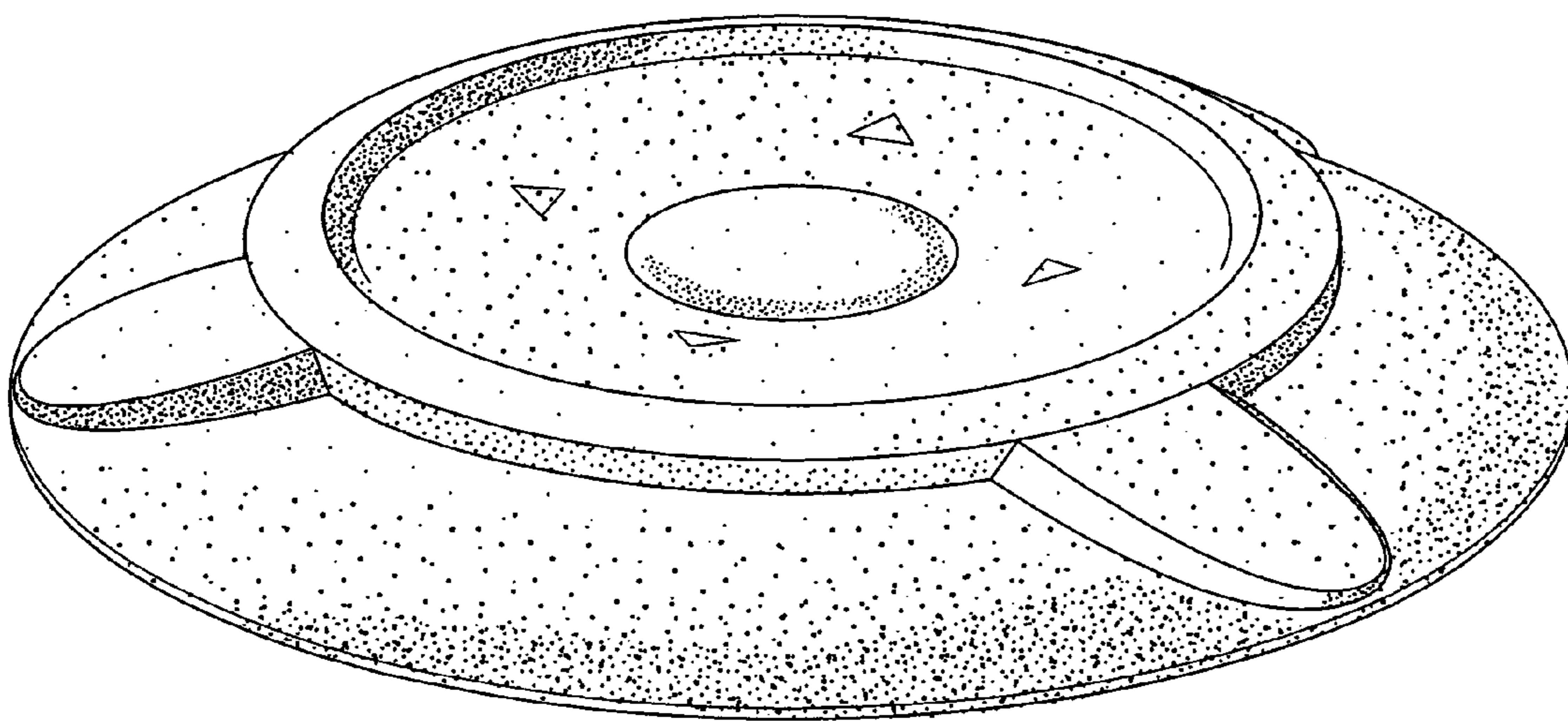


Fig. 1

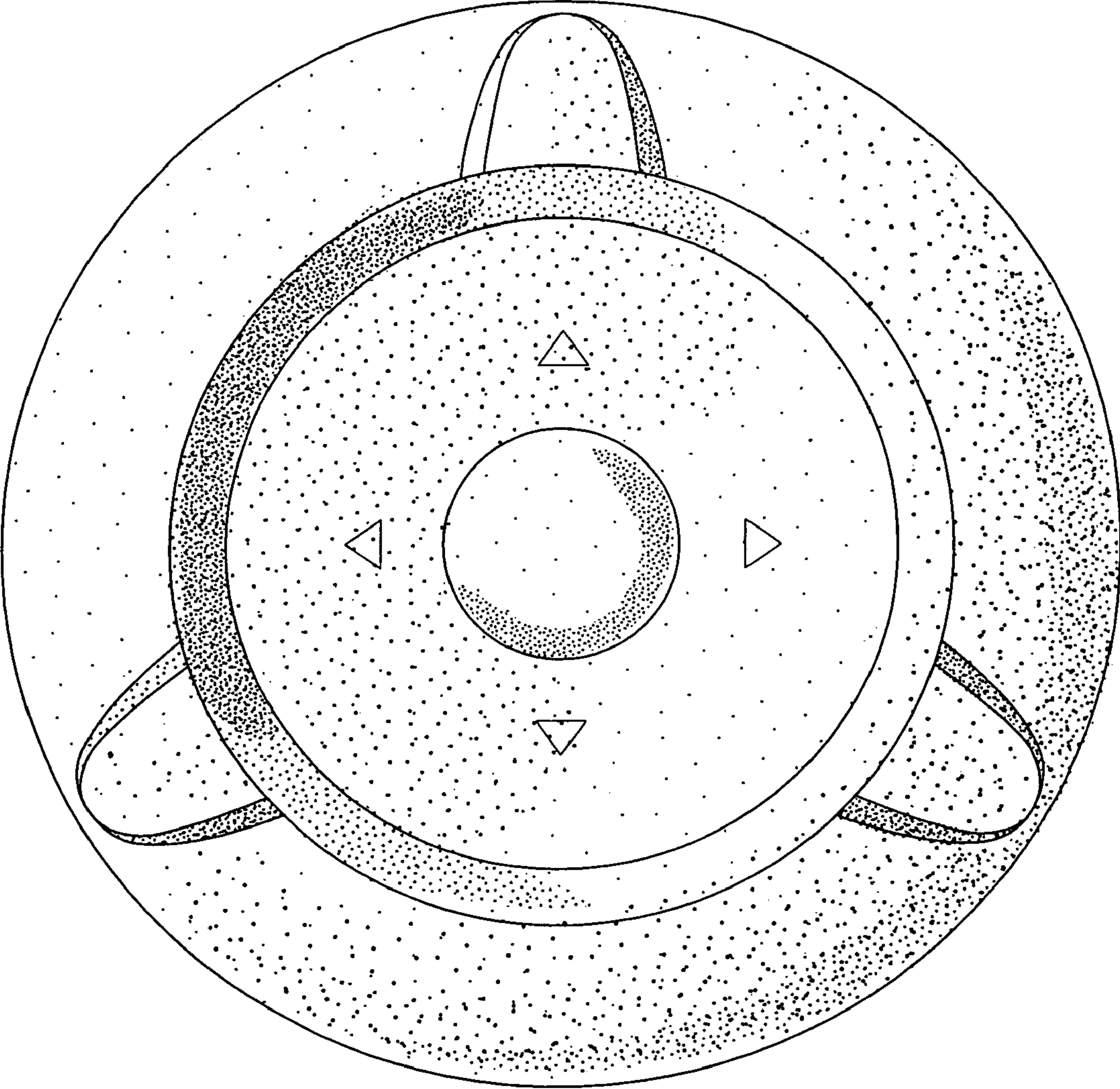


Fig. 2



Fig. 3

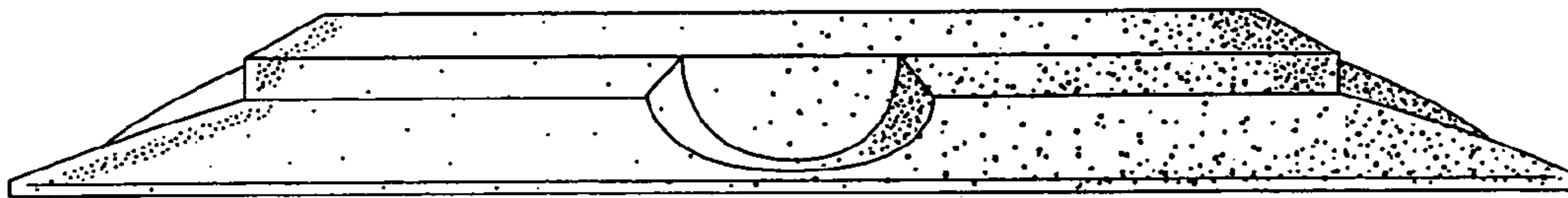


Fig. 4

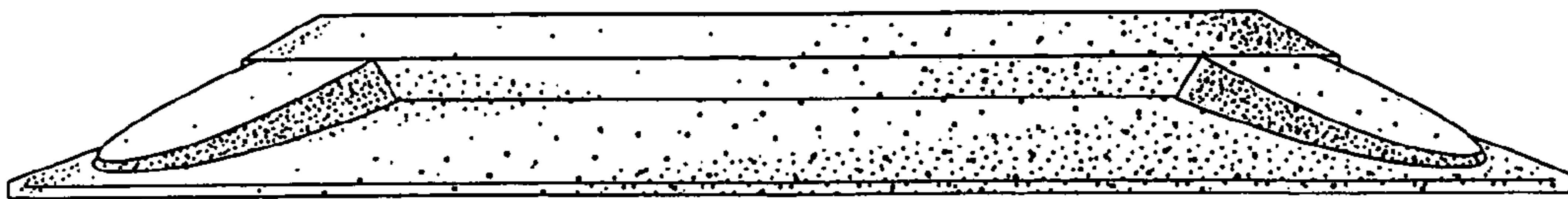


Fig. 5

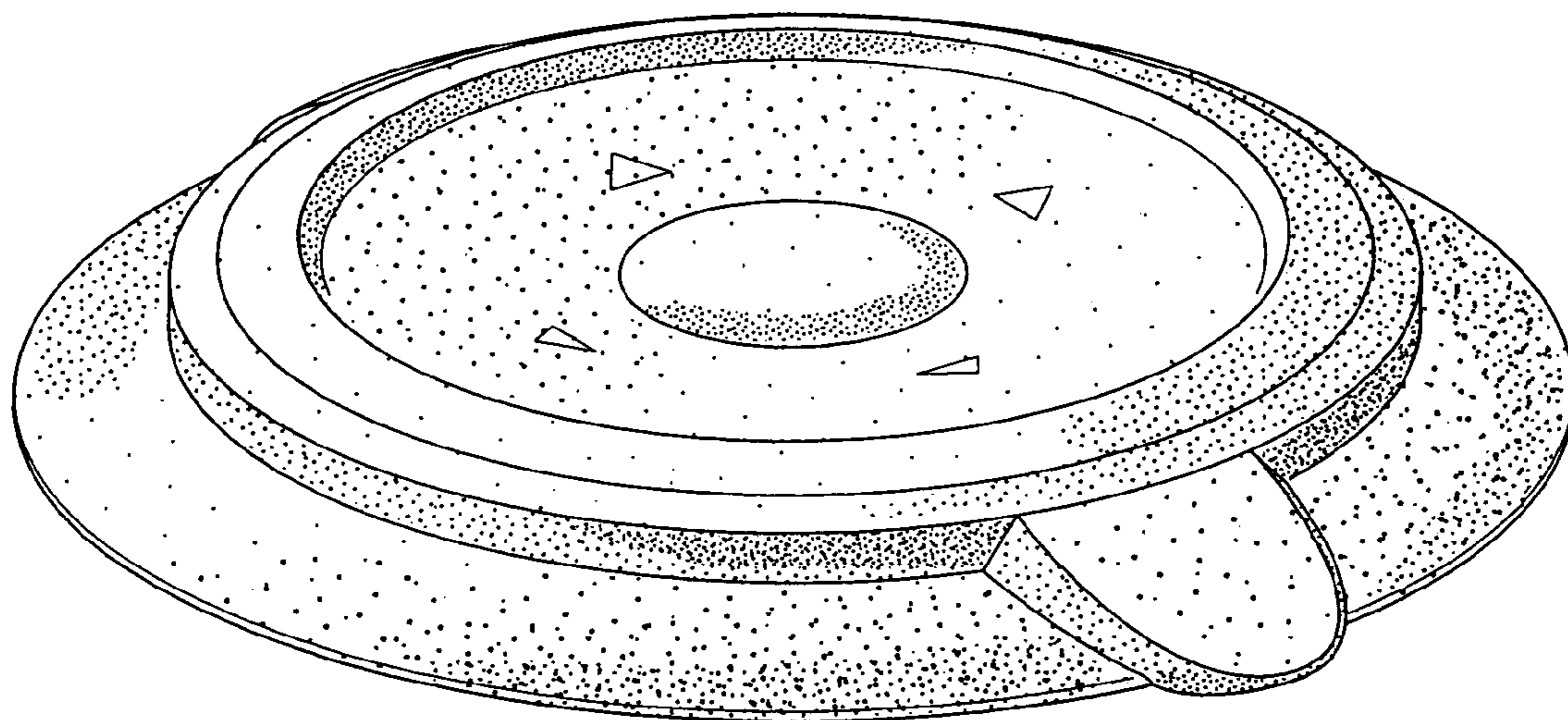


Fig. 6

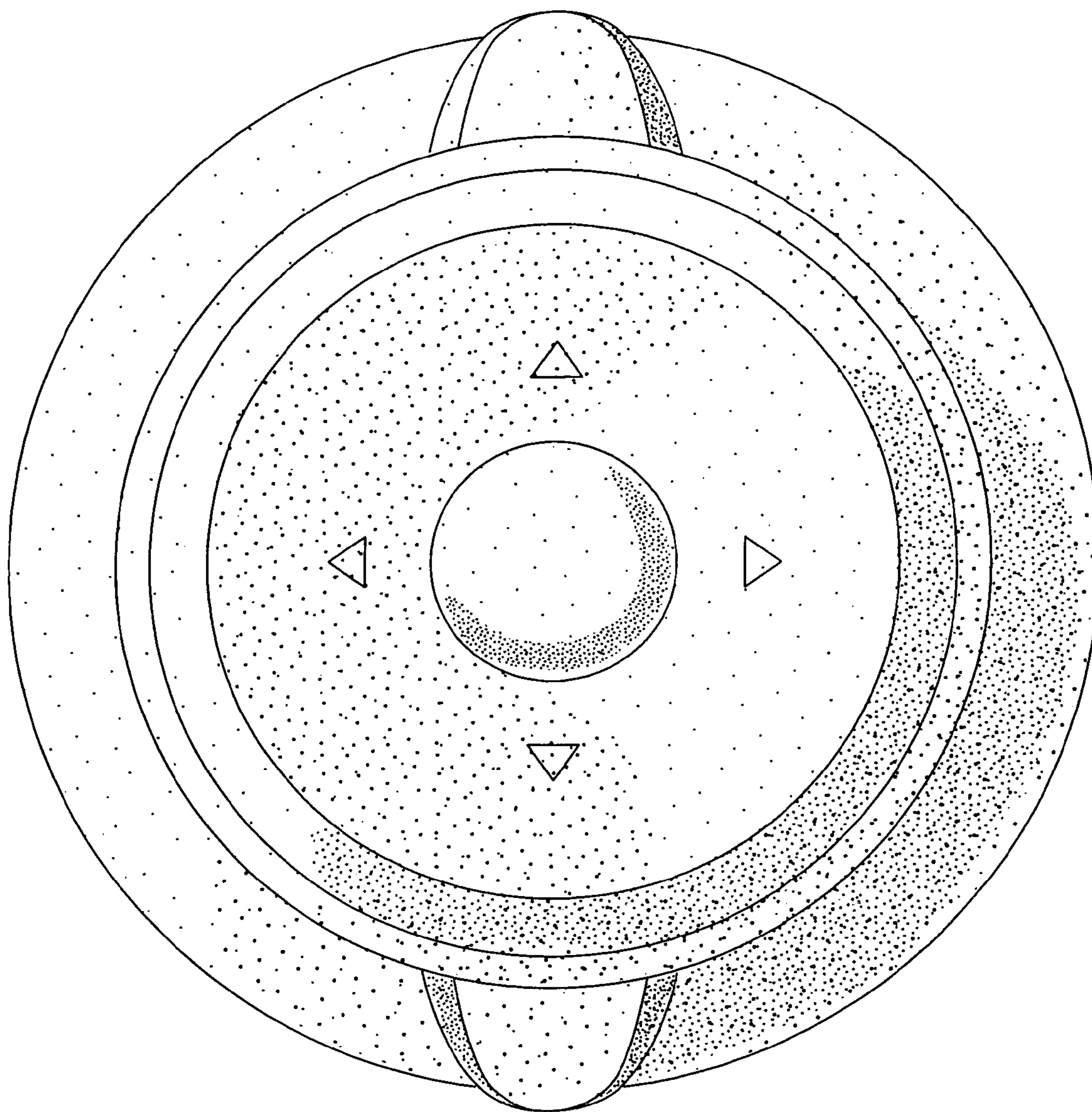


Fig. 7

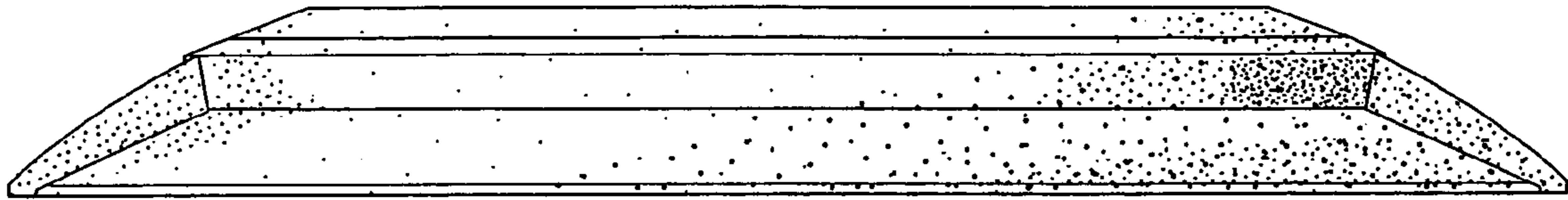


Fig. 8

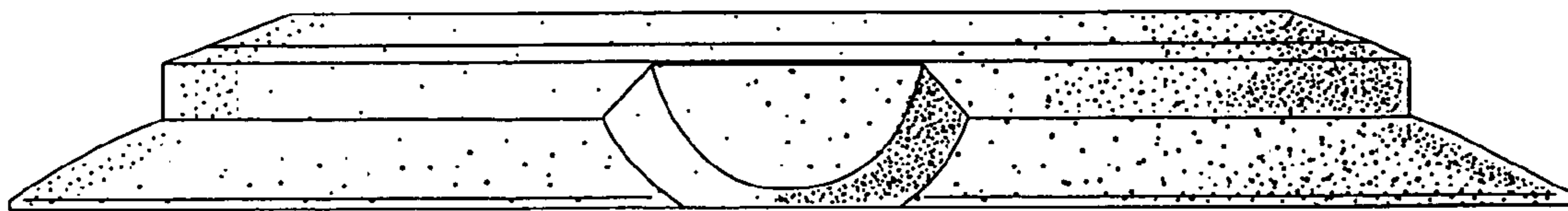


Fig. 9