



US00D546479S

(12) **United States Design Patent** (10) **Patent No.:** **US D546,479 S**
Aughton et al. (45) **Date of Patent:** **** Jul. 10, 2007**

(54) **EXTRUSION FOR USE WITH A GATE
PANEL FRAME**

(75) Inventors: **David Aughton**, Essendon (AU);
Trevor Tennant, Shepparton (AU);
Robert Greig, Nathalia (AU)

(73) Assignee: **Rubicon Research Pty Ltd.**, Hawthorn
(AU)

(**) Term: **14 Years**

(21) Appl. No.: **29/267,810**

(22) Filed: **Oct. 19, 2006**

Related U.S. Application Data

(62) Division of application No. 29/217,175, filed on Nov.
12, 2004.

(30) **Foreign Application Priority Data**

May 14, 2004 (AU) 1829/04

(51) **LOC (8) Cl.** **25-01**

(52) **U.S. Cl.** **D25/119**

(58) **Field of Classification Search** D25/43,
D25/124, 119, 126; 405/87, 52, 80, 86, 95,
405/105, 100; 256/12.5, 13, 13.1
See application file for complete search history.

(56) **References Cited**

U.S. PATENT DOCUMENTS

31,836 A	3/1861	Taylor
109,984 A	12/1870	Whitney
344,878 A	7/1886	Tainter
344,879 A	7/1886	Tainter
1,377,921 A	5/1921	Peterson
1,455,586 A	5/1923	Hajek
1,544,996 A	7/1925	Laufer
2,317,975 A	5/1943	Boath et al.

2,909,899 A	10/1959	Ramsden et al.
3,693,355 A	9/1972	Dubouchet
4,022,429 A	5/1977	Yonekura
D253,491 S	11/1979	Limmergard et al.
4,310,262 A *	1/1982	Calza et al. 405/87
4,332,507 A	6/1982	Wakamori et al.
4,498,809 A	2/1985	Farmer

(Continued)

FOREIGN PATENT DOCUMENTS

CH 188255 3/1937

(Continued)

OTHER PUBLICATIONS

International Search Report; ref. PCT/AU01/01036, Nov. 19, 2001.

(Continued)

Primary Examiner—Doris Clark

(74) *Attorney, Agent, or Firm*—Leah Sherry; Thelen Reid
Brown Raysman & Steiner LLP

(57) **CLAIM**

The ornamental design of an extrusion for use with a gate
panel frame, as shown and described.

DESCRIPTION

FIG. 1 is a side elevational view of an extrusion for use with
a gate panel frame.

FIG. 2 is a perspective view thereof.

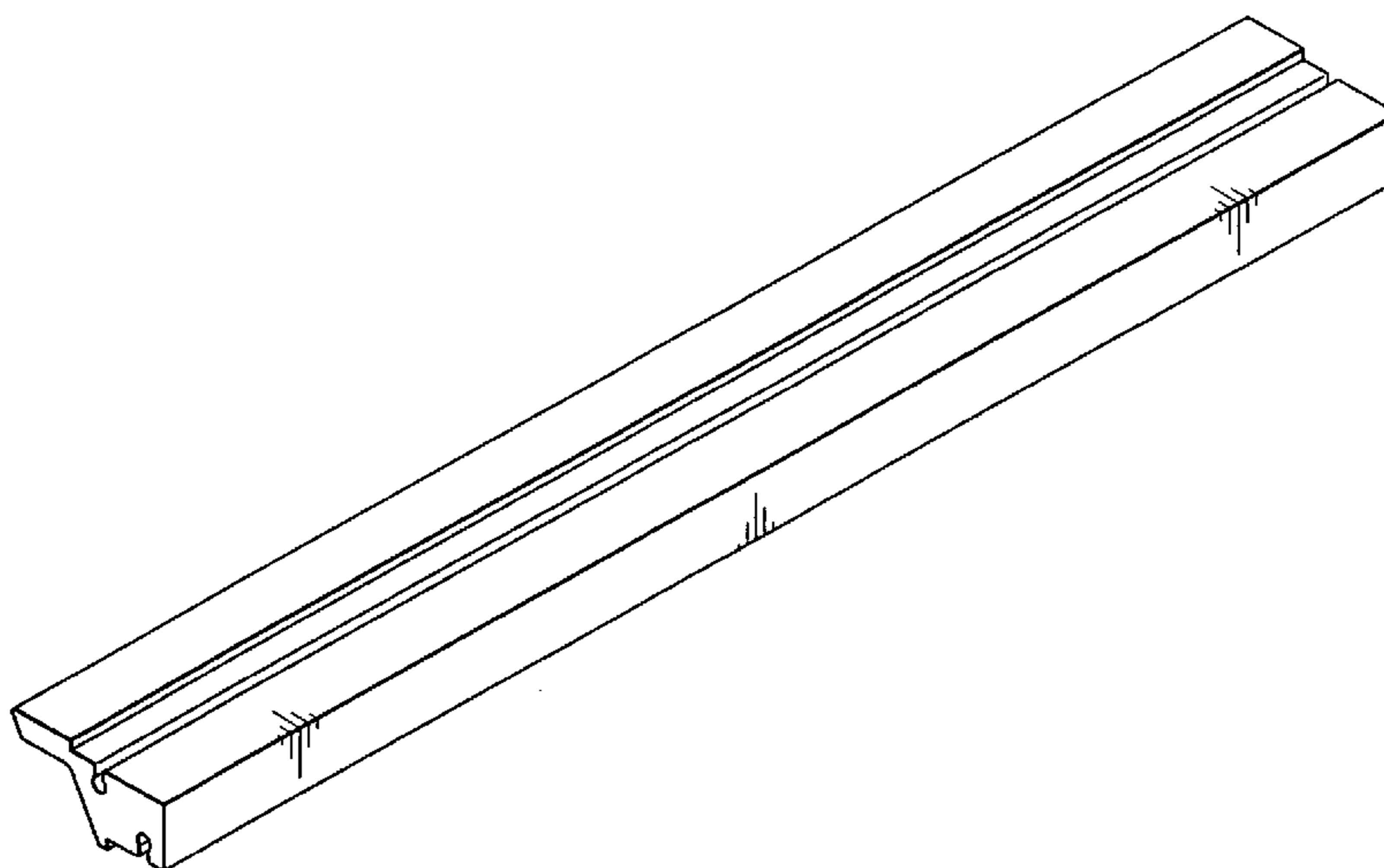
FIG. 3 is a side elevational view of a second embodiment of
the extrusion for use with a gate panel frame.

FIG. 4 is a perspective view thereof.

FIG. 5 is a side elevational view of a third embodiment of
the extrusion for use with a gate panel frame; and,

FIG. 6 is a perspective view thereof.

1 Claim, 3 Drawing Sheets



US D546,479 S

Page 2

U.S. PATENT DOCUMENTS

4,522,534	A	6/1985	Wakamori
4,726,709	A	2/1988	Labelle
4,772,157	A	9/1988	Obermeyer
4,848,962	A	7/1989	Wipps
D308,729	S	6/1990	Dallaire et al.
D356,418	S	3/1995	Makimura
5,460,462	A	10/1995	Regan
5,516,230	A	5/1996	Bargeron et al.
5,591,286	A	1/1997	Suenaga et al.
5,613,803	A	3/1997	Parrish
5,642,963	A *	7/1997	Obermeyer 405/100
5,678,956	A *	10/1997	Freelain 405/99
5,708,211	A	1/1998	Jepson et al.
5,758,989	A	6/1998	Snowberger
5,833,388	A	11/1998	Edwards et al.
5,868,159	A	2/1999	Loan et al.
5,984,575	A	11/1999	Knott
D418,394	S	1/2000	King
D427,325	S *	6/2000	Ginzel D25/119
D499,494	S	12/2004	Tjakra et al.

EP	0345180	12/1989
FR	2594896	8/1987
FR	2685367	6/1993
GB	2302723	1/1997
JP	60-88711	3/1994
JP	8120654	5/1996
JP	8326040	12/1996
JP	9221736	8/1997
JP	10159058	6/1998
JP	10183585	7/1998
JP	11241331	9/1999
JP	11323885	11/1999
NL	1010851	6/2000
SU	768876	10/1980
SU	983179	12/1982
SU	1113462	9/1984
SU	1283284	1/1987
WO	WO 98/52002	11/1998
WO	WO 99/58768	11/1999
WO	WO 01/59221 A1	8/2001

OTHER PUBLICATIONS

International Search Report, Ref: PCT/AU02/00230, Jun. 17, 2002.
 Supplemental European Search Report; Application No. 01962462.
 6-2303/AU0101036, Applicant Rubicon Research Pty Ltd., dated
 Jan. 10, 2005.
 European Search Report, Application No. 02700049.6-2303/
 AU0200230, Applicant Rubicon Research Pty Ltd., dated Jul. 12,
 2004.

* cited by examiner

FOREIGN PATENT DOCUMENTS

CH	640 289	12/1983
DE	696 813	9/1940
DE	1 080 934	3/1958
DE	1 103 857	3/1961
DE	1 103 875	4/1961
DE	2 247 453	4/1974
DE	29 35 015 A1	3/1981

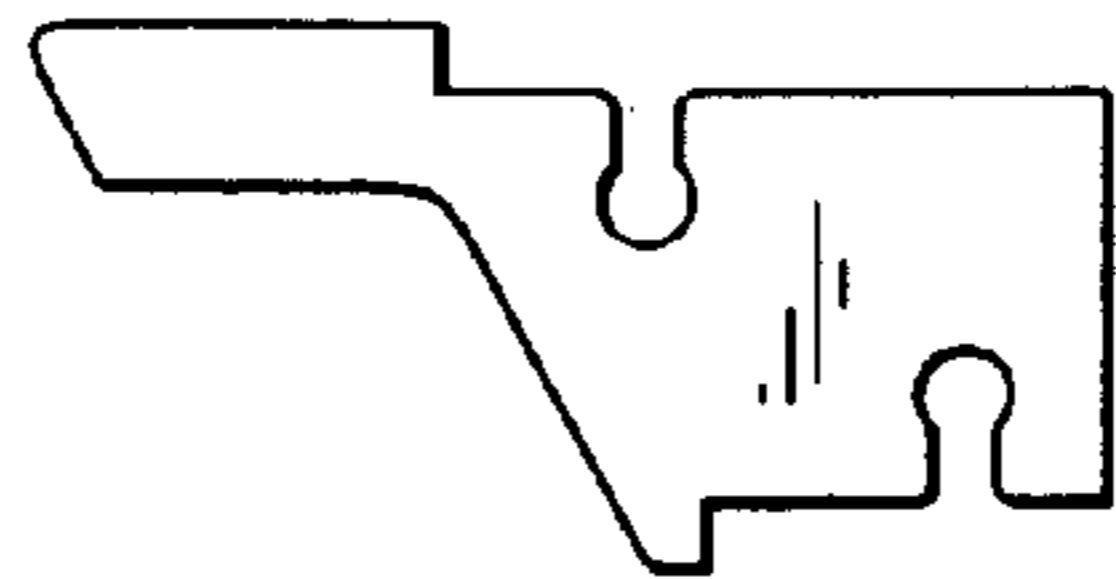


FIG. 1

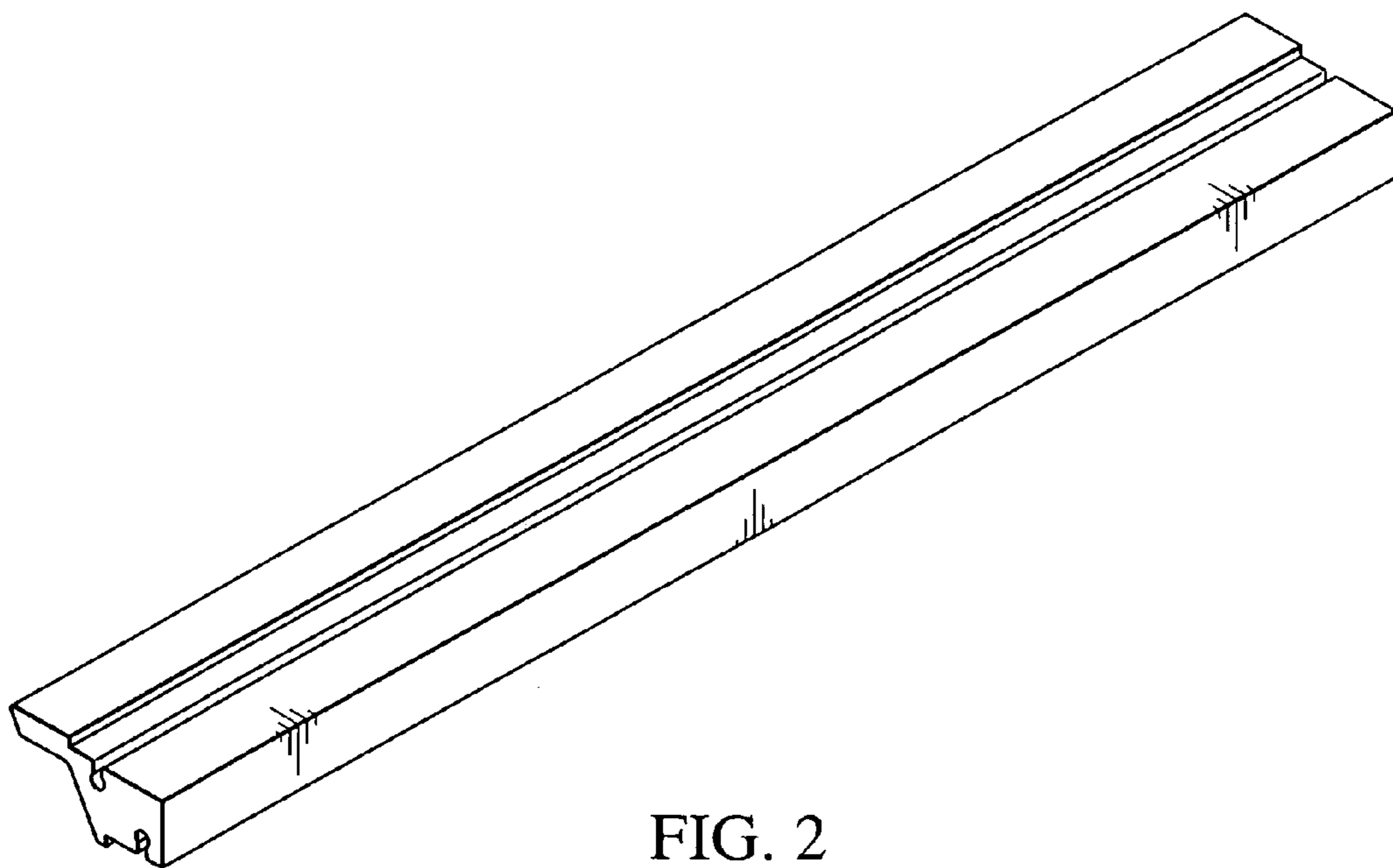


FIG. 2

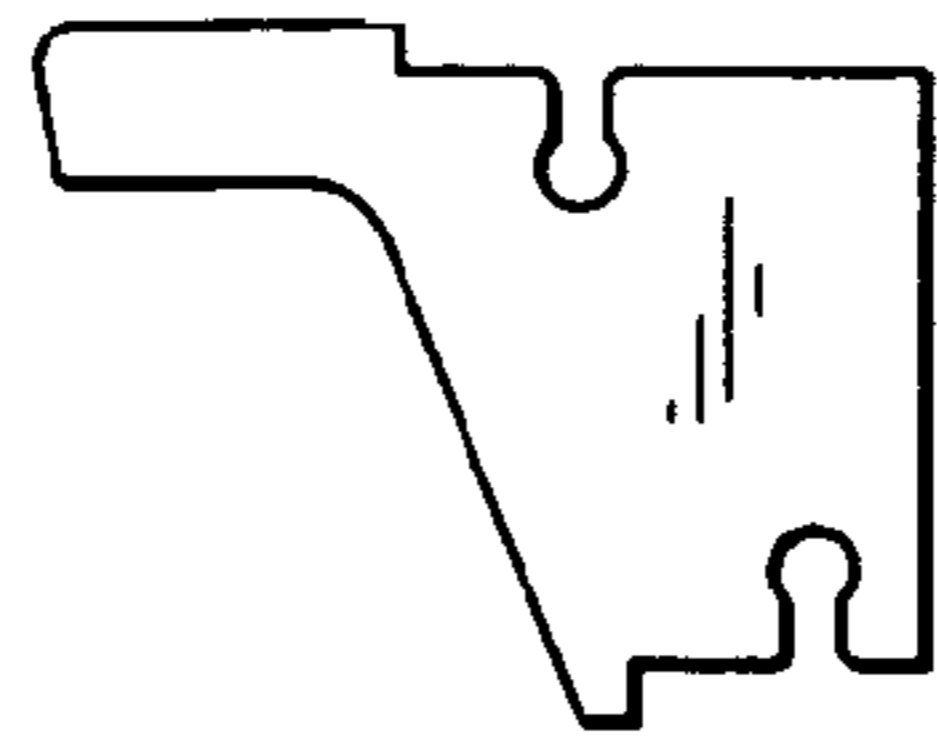


FIG. 3

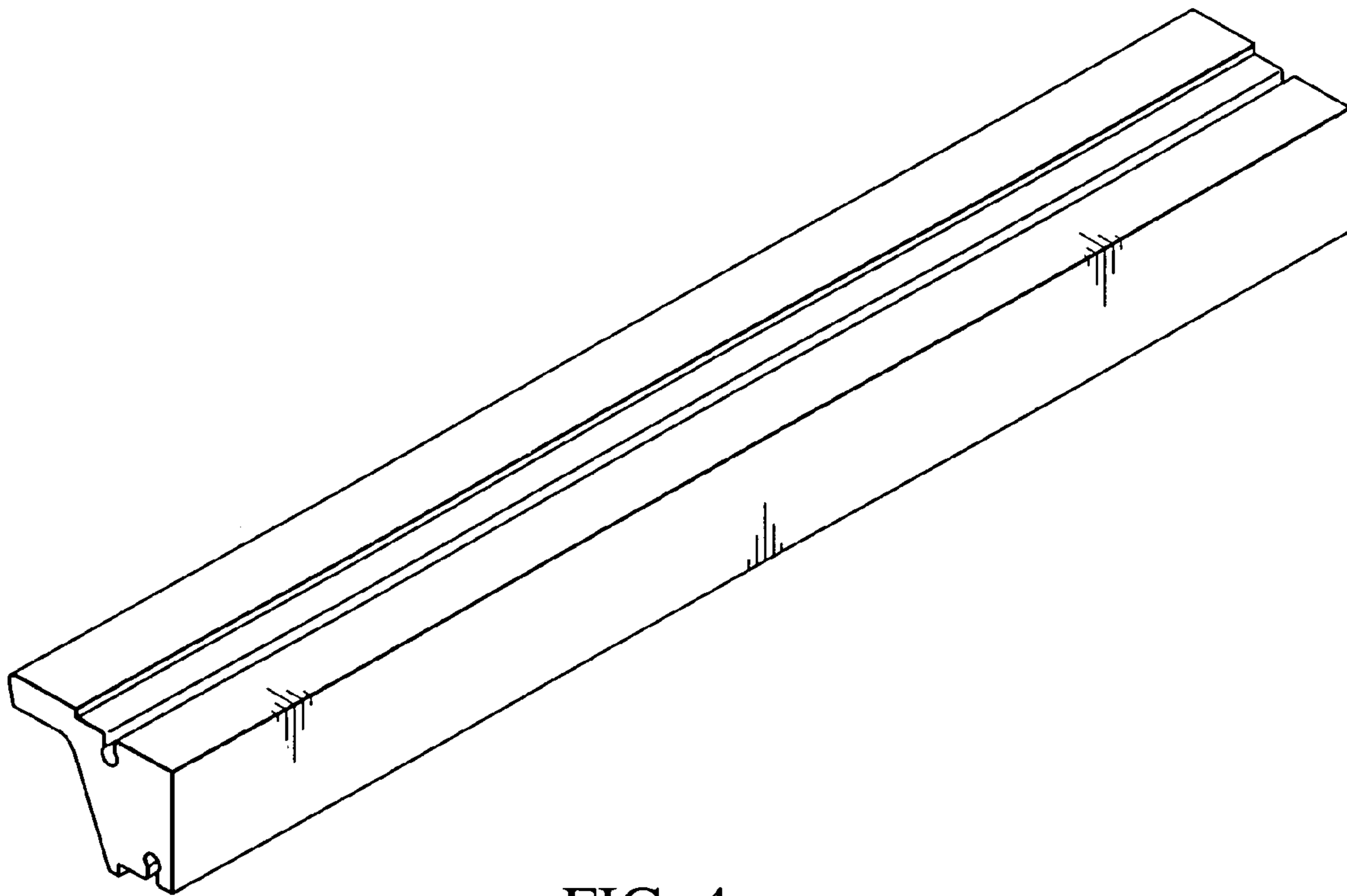


FIG. 4

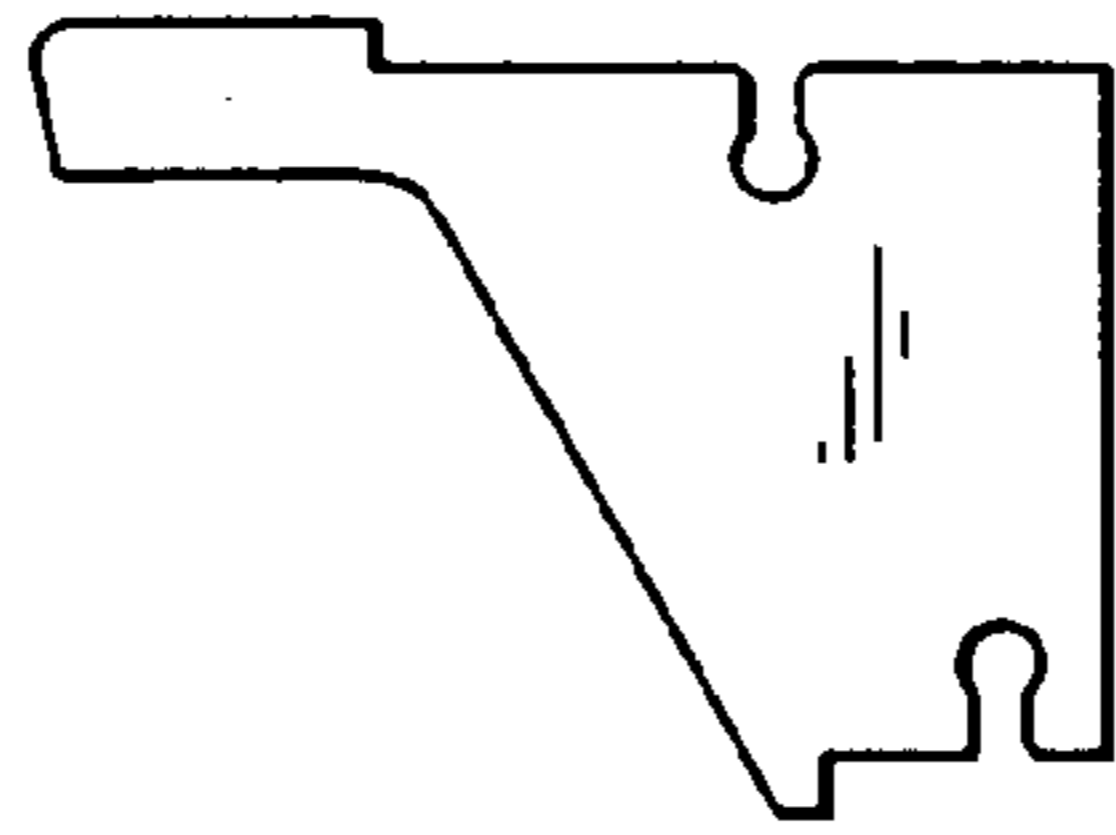


FIG. 5

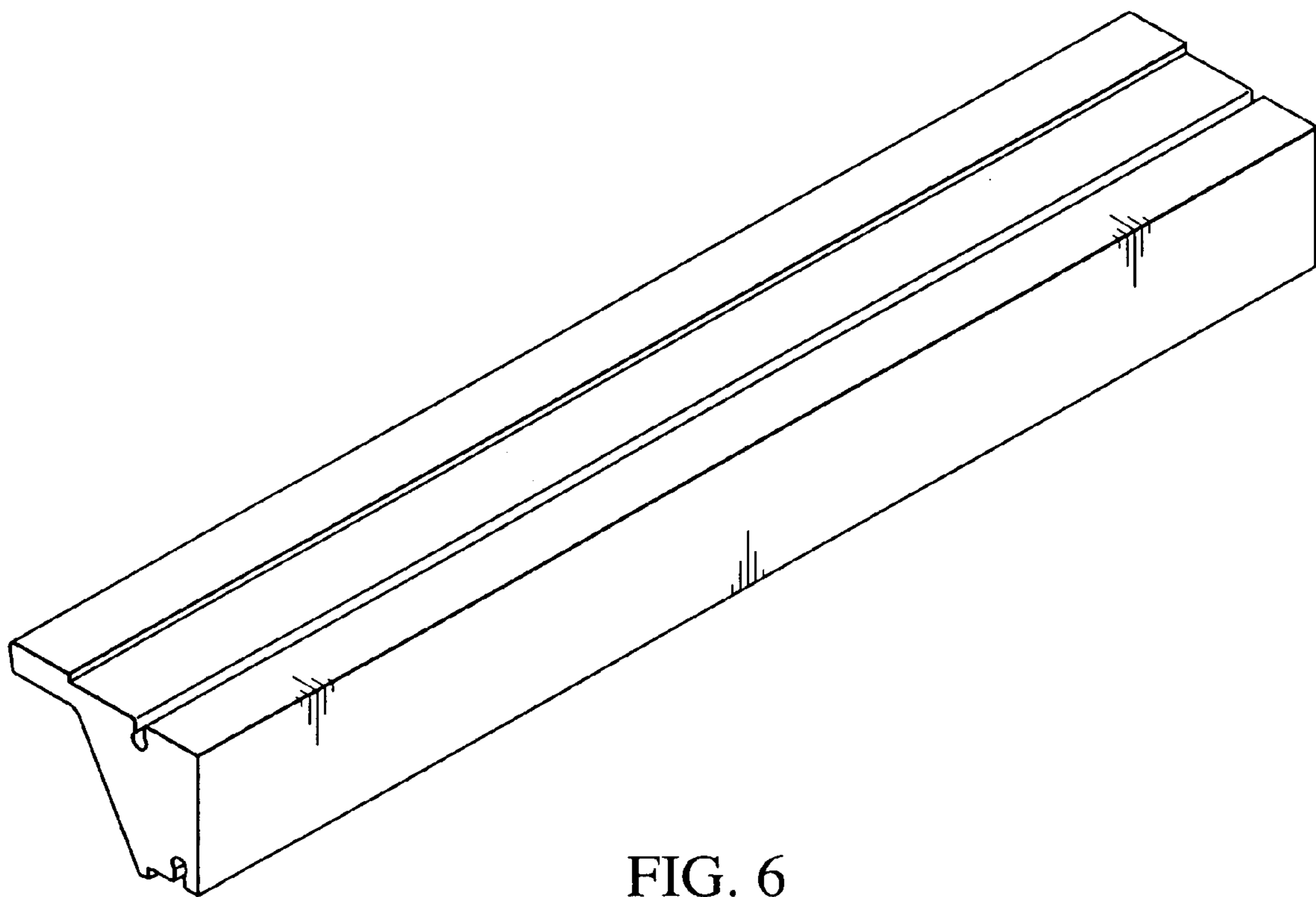


FIG. 6