



US00D546478S

(12) **United States Design Patent**
Adam

(10) **Patent No.:** **US D546,478 S**
(45) **Date of Patent:** **** Jul. 10, 2007**

(54) **PAVER STONE**

(76) Inventor: **Paul Adam**, 1727 NW. 99th St., Clive, IA (US) 50325

(**) Term: **14 Years**

(21) Appl. No.: **29/254,355**

(22) Filed: **Feb. 22, 2006**

Related U.S. Application Data

(63) Continuation-in-part of application No. 11/104,837, filed on Apr. 13, 2005.

(51) **LOC (8) Cl.** **25-01**

(52) **U.S. Cl.** **D25/113**

(58) **Field of Classification Search** D25/112-118;
D21/484-490, 499-502; 405/15-16, 33,
405/35, 284-286; 404/29-42; 52/503, 504,
52/575, 596-599, 603-605, 608, 612

See application file for complete search history.

(56) **References Cited**

U.S. PATENT DOCUMENTS

189,676 A * 4/1877 Adams 52/592.6
D194,184 S * 12/1962 Clauss D25/58

(Continued)

Primary Examiner—Louis S. Zarfaz

Assistant Examiner—Gregory Andoll

(74) *Attorney, Agent, or Firm*—Riezman Berger, P.C.

(57) **CLAIM**

The ornamental design for a paver stone, as shown and described.

DESCRIPTION

FIG. 1 is a perspective view of a paver stone according to an embodiment of the present invention;

FIG. 2 is a bottom plan view of the paver stone shown in FIG. 1;

FIG. 3 is a top view of the paver stone shown in FIG. 1;

FIG. 4 is a front elevational view of the paver stone shown in FIG. 1;

FIG. 5 is a rear elevational view of the paver stone shown in FIG. 1;

FIG. 6 is a side elevational view of the paver stone shown in FIG. 1, as viewed from the right in FIG. 1;

FIG. 7 is a side elevational view of the paver stone shown in FIG. 1, as viewed from the left in FIG. 1;

FIG. 8 is a top view of the paver stone shown in FIG. 1 set in a pattern with the broken lines being directed to environment and are for illustrative purposes only and the broken lines forming no part of the claimed design;

FIG. 9 is a perspective view of a paver stone according to a second embodiment of the present invention

FIG. 10 is a top view of the paver stone shown in FIG. 9;

FIG. 11 is a bottom view of the paver stone shown in FIG. 9;

FIG. 12 is a front elevational view of the paver stone shown in FIG. 9;

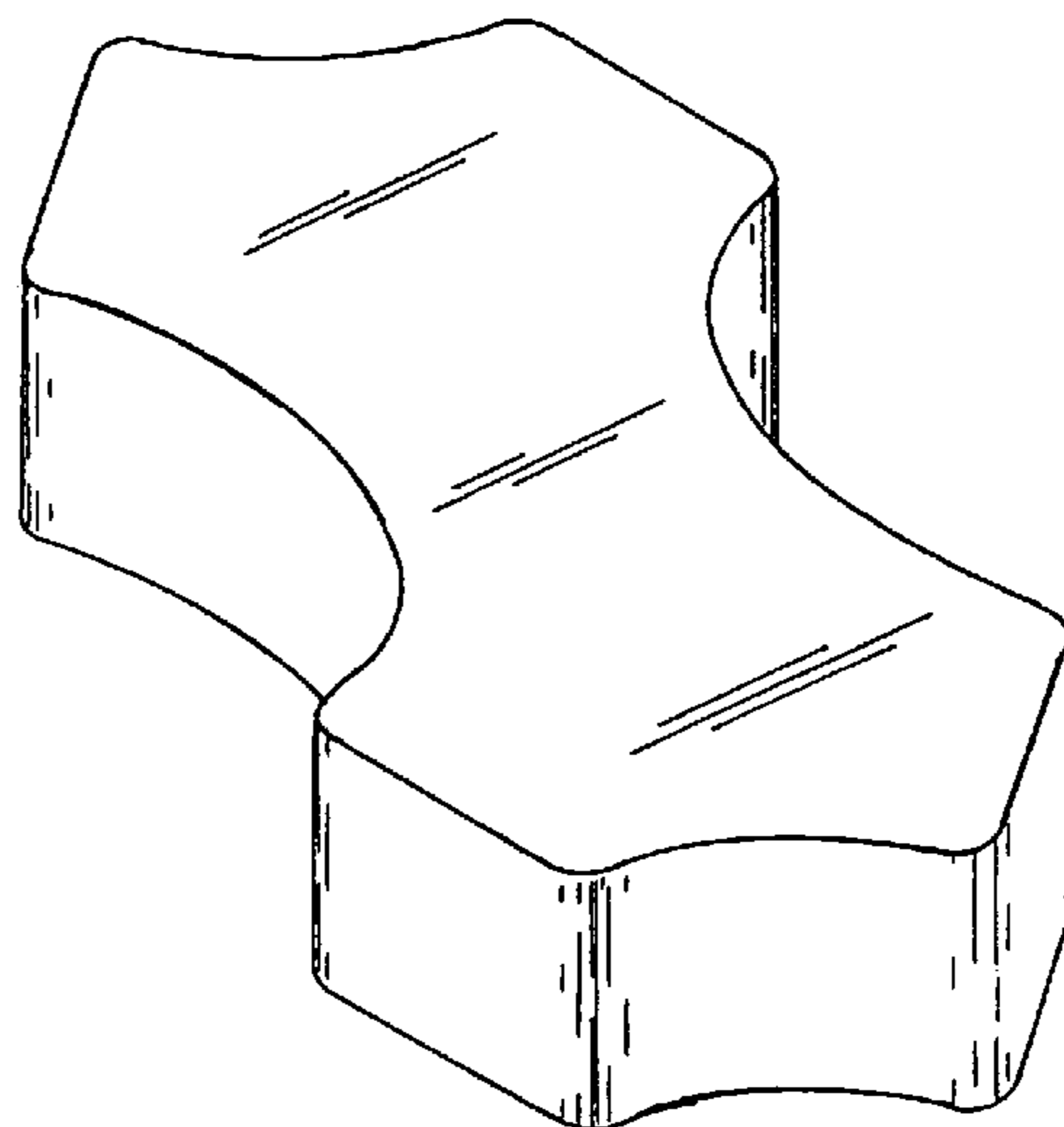
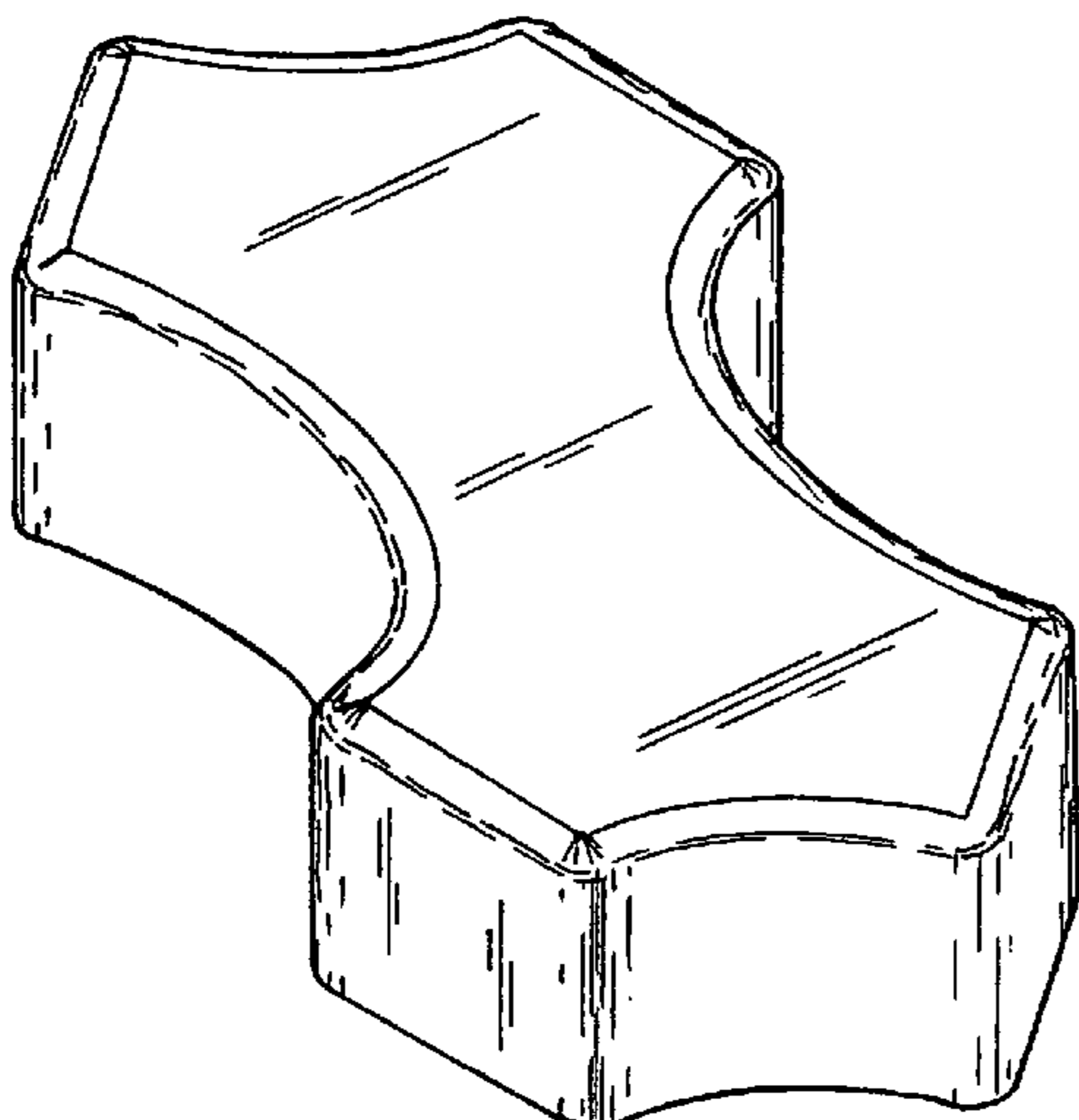
FIG. 13 is a rear elevational view of the paver stone shown in FIG. 9;

FIG. 14 is a side elevational view of the paver stone shown in FIG. 9, as viewed from the right in FIG. 9;

FIG. 15 is a side elevational view of the paver stone shown in FIG. 9, as viewed from the left in FIG. 9; and,

FIG. 16 is a top view of the paver stone shown in FIG. 9 set in a pattern with the broken lines being directed to environment and are for illustrative purposes only and the broken lines forming no part of the claimed design.

1 Claim, 6 Drawing Sheets



US D546,478 S

Page 2

U.S. PATENT DOCUMENTS

D285,257 S *	8/1986	Krautz	D25/113	D415,846 S *	10/1999	Abbrancati	D25/113
5,813,186 A	9/1998	Acksel	52/604	D426,001 S *	5/2000	Azar	D25/113

* cited by examiner

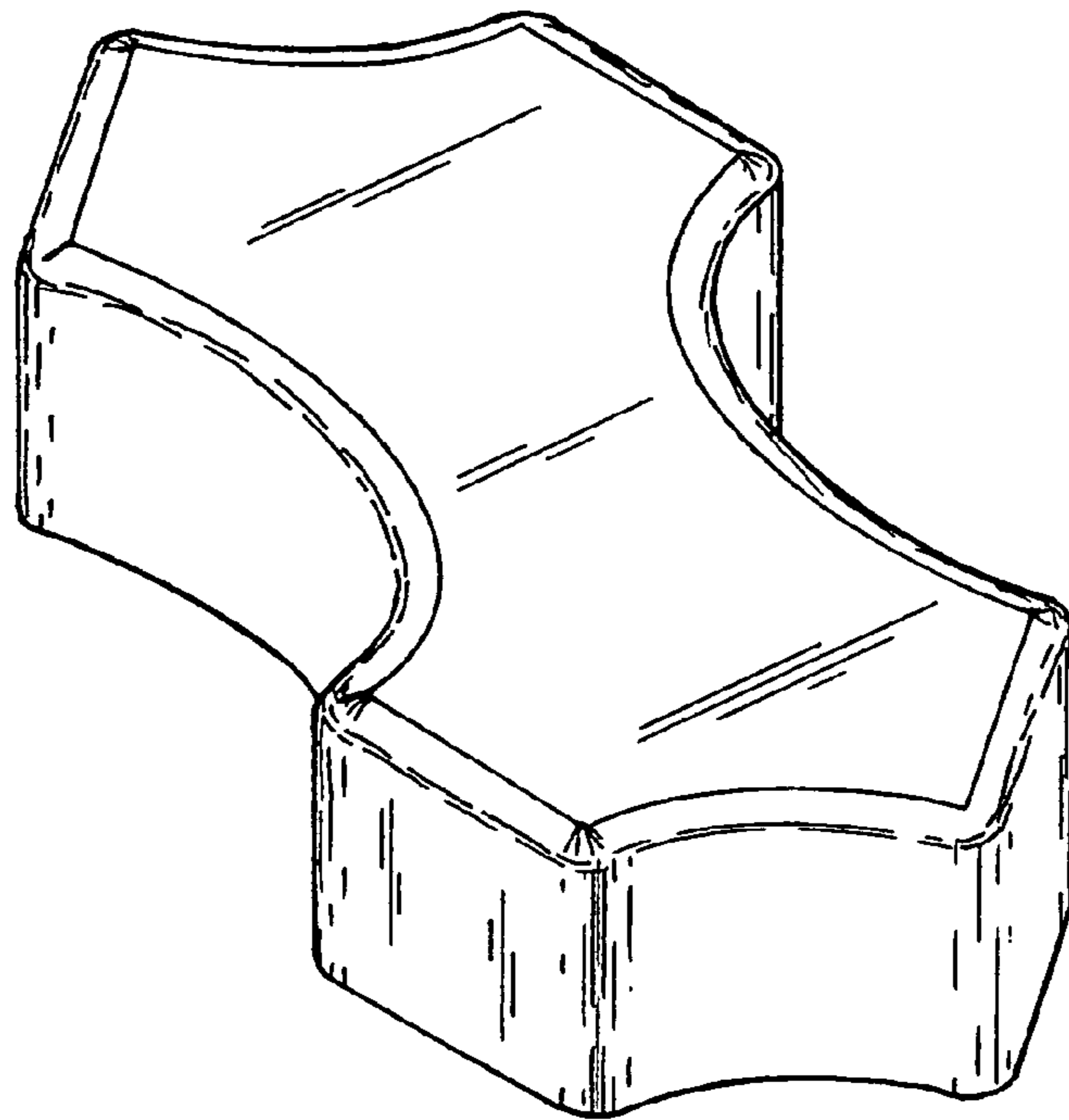


Fig. 1

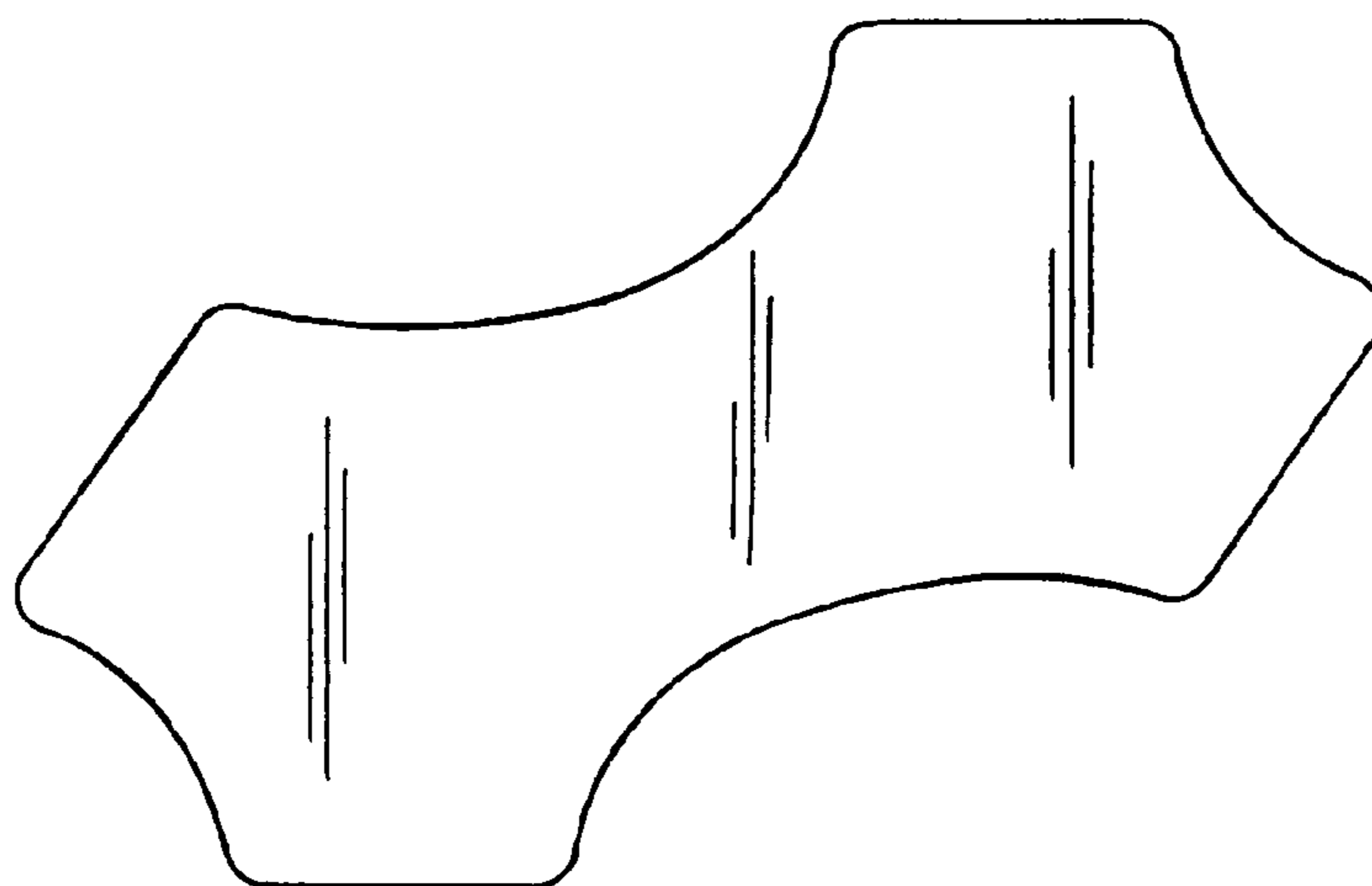


Fig. 2

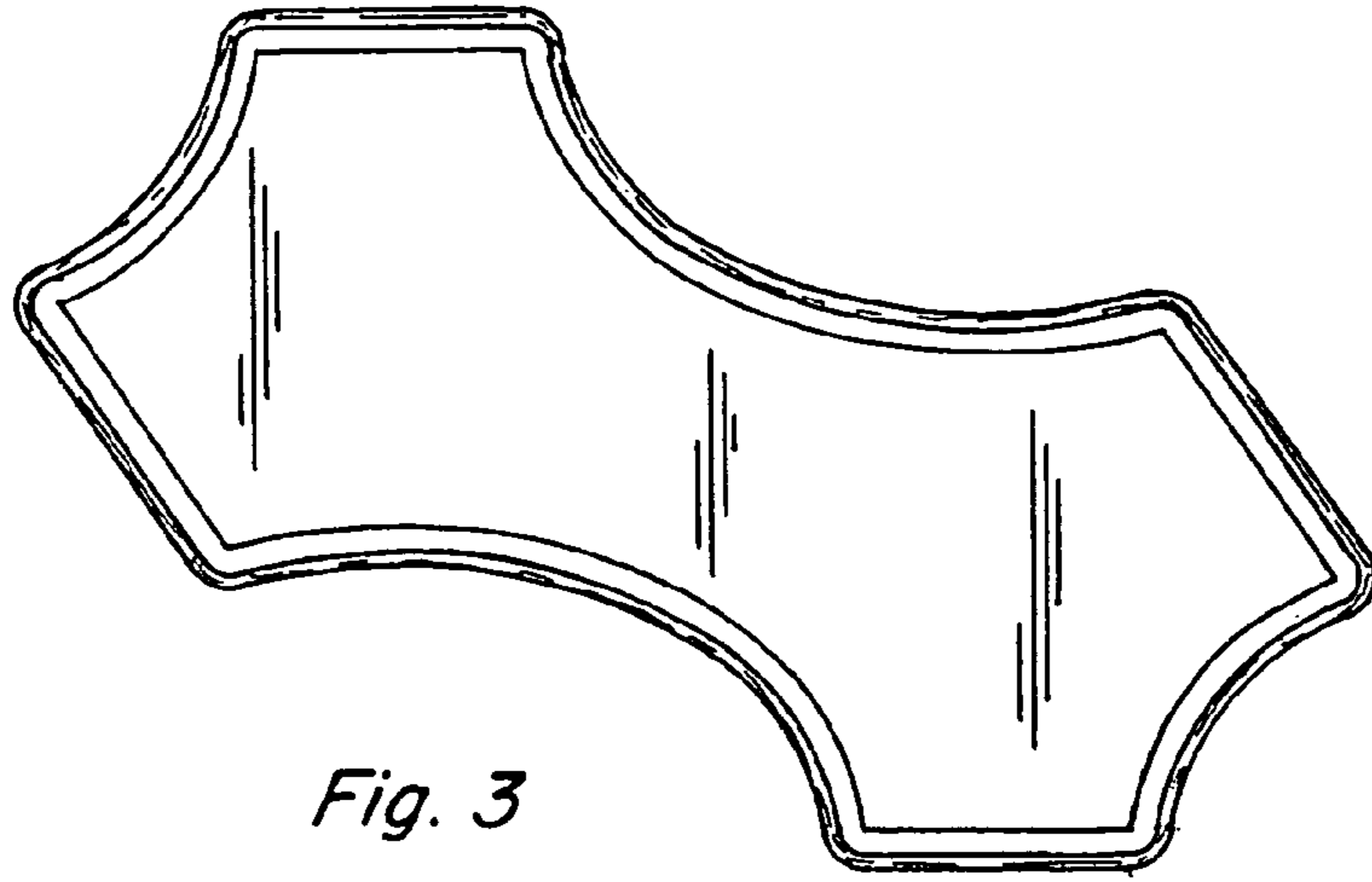


Fig. 3

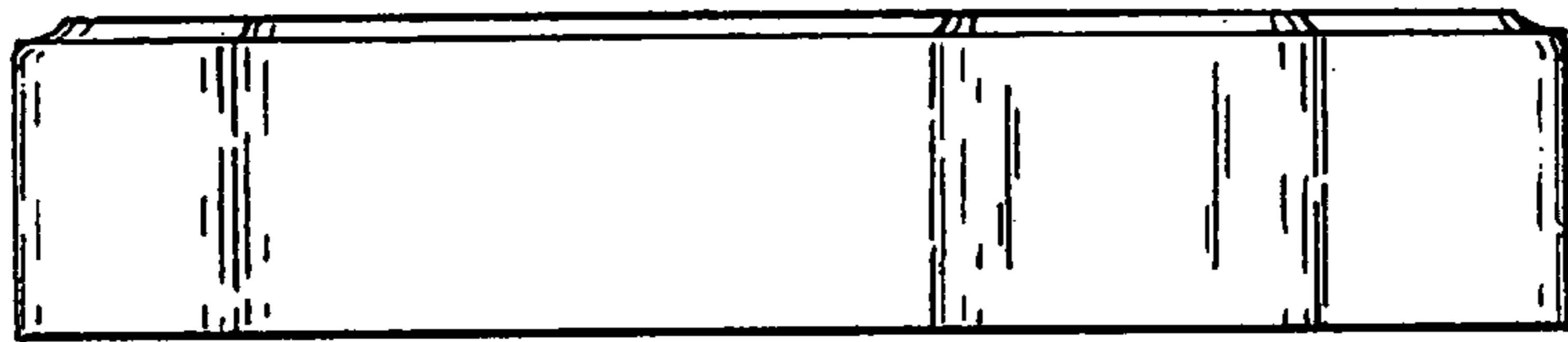


Fig. 4

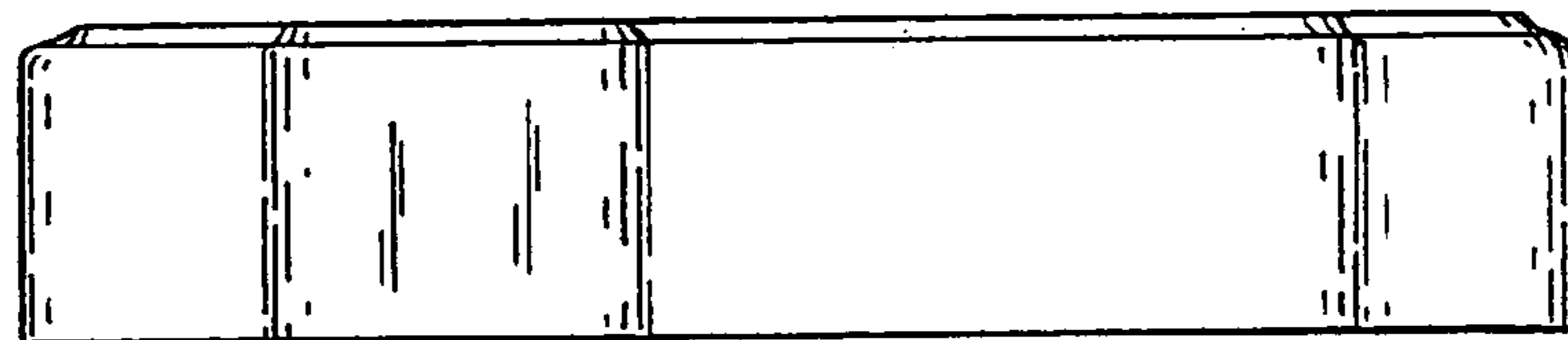


Fig. 5

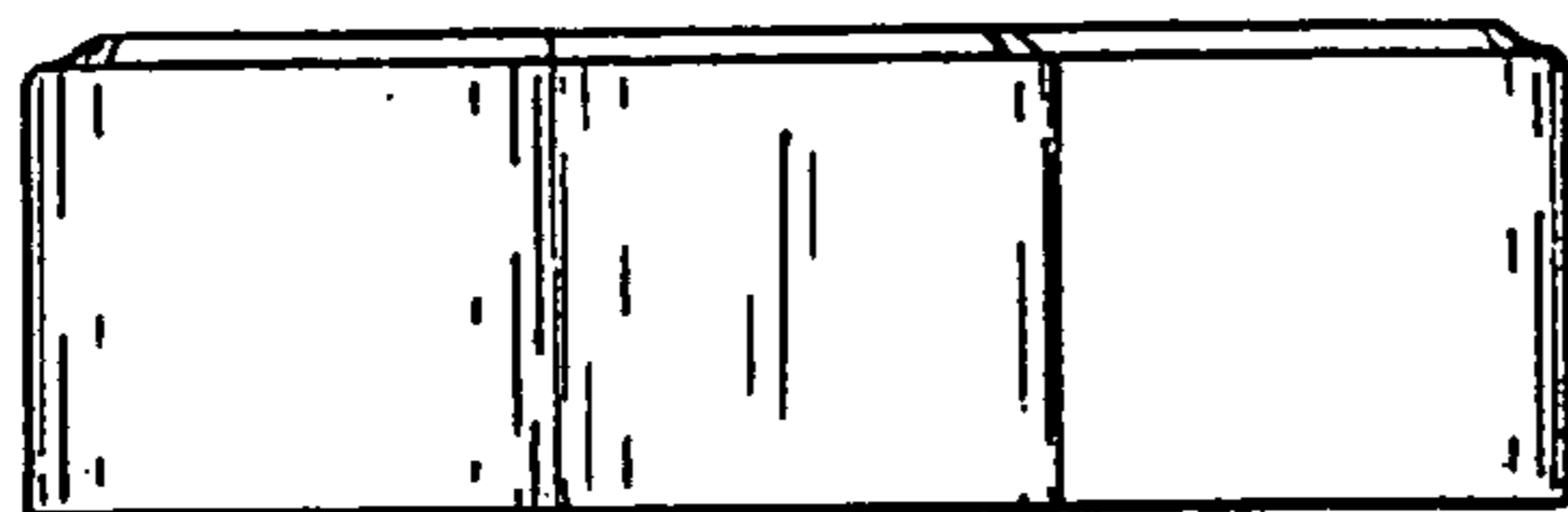


Fig. 6

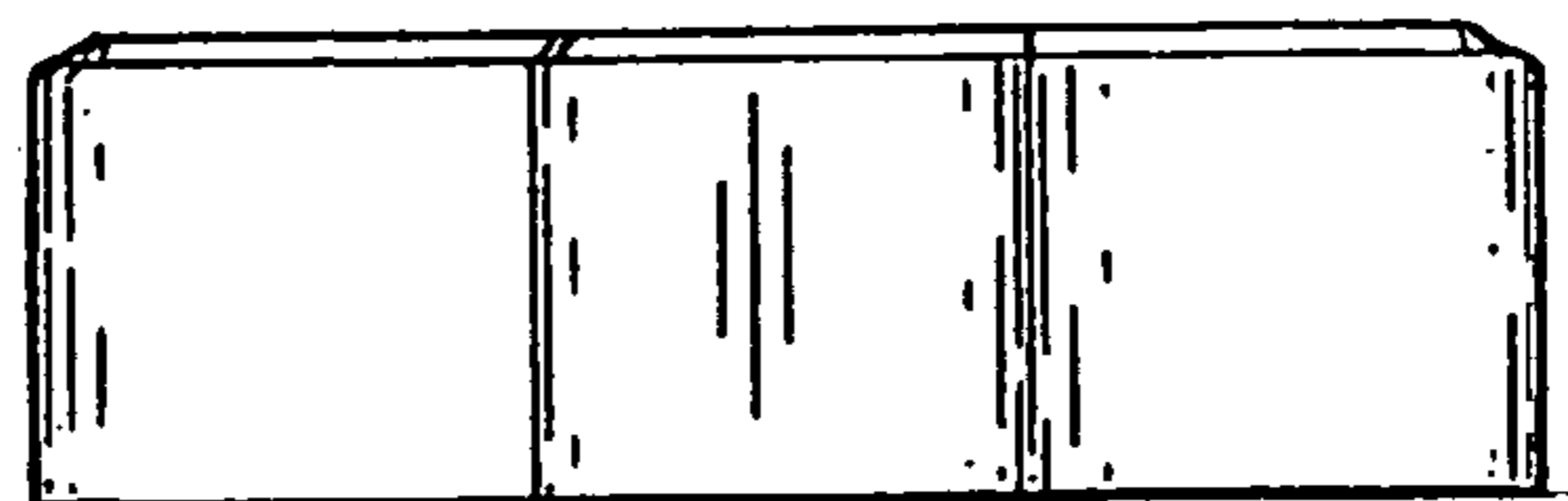


Fig. 7

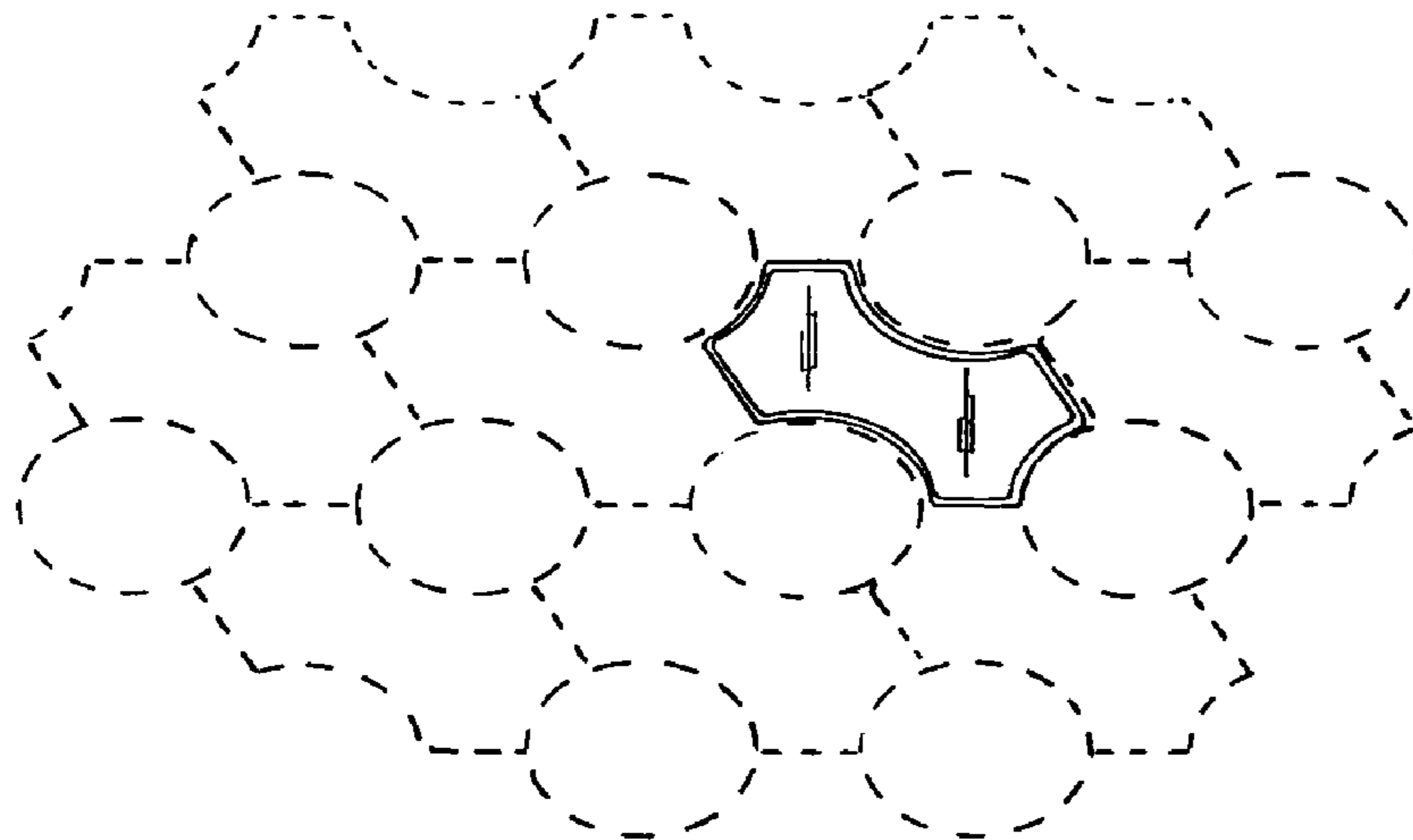


Fig. 8

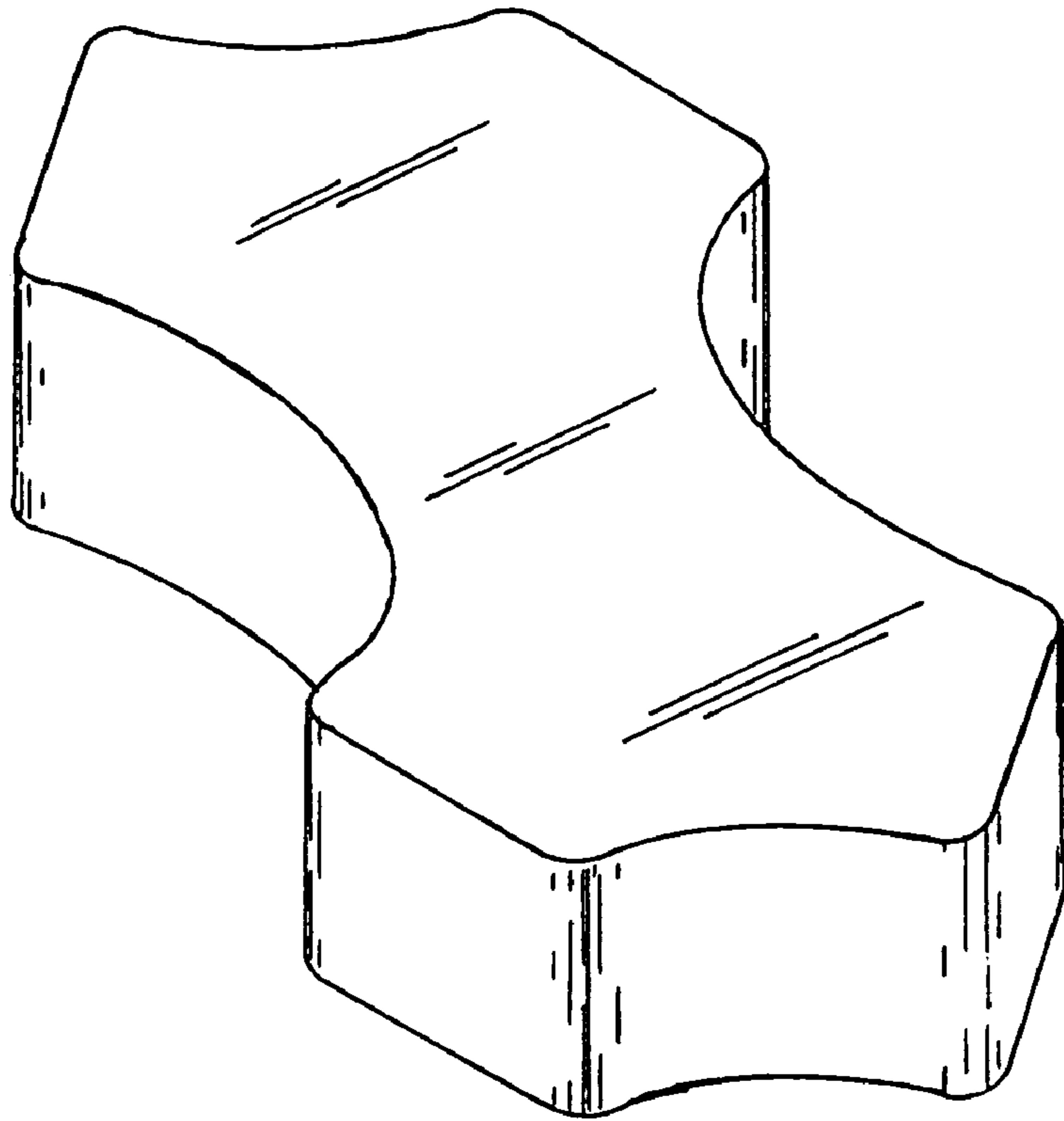


Fig. 9

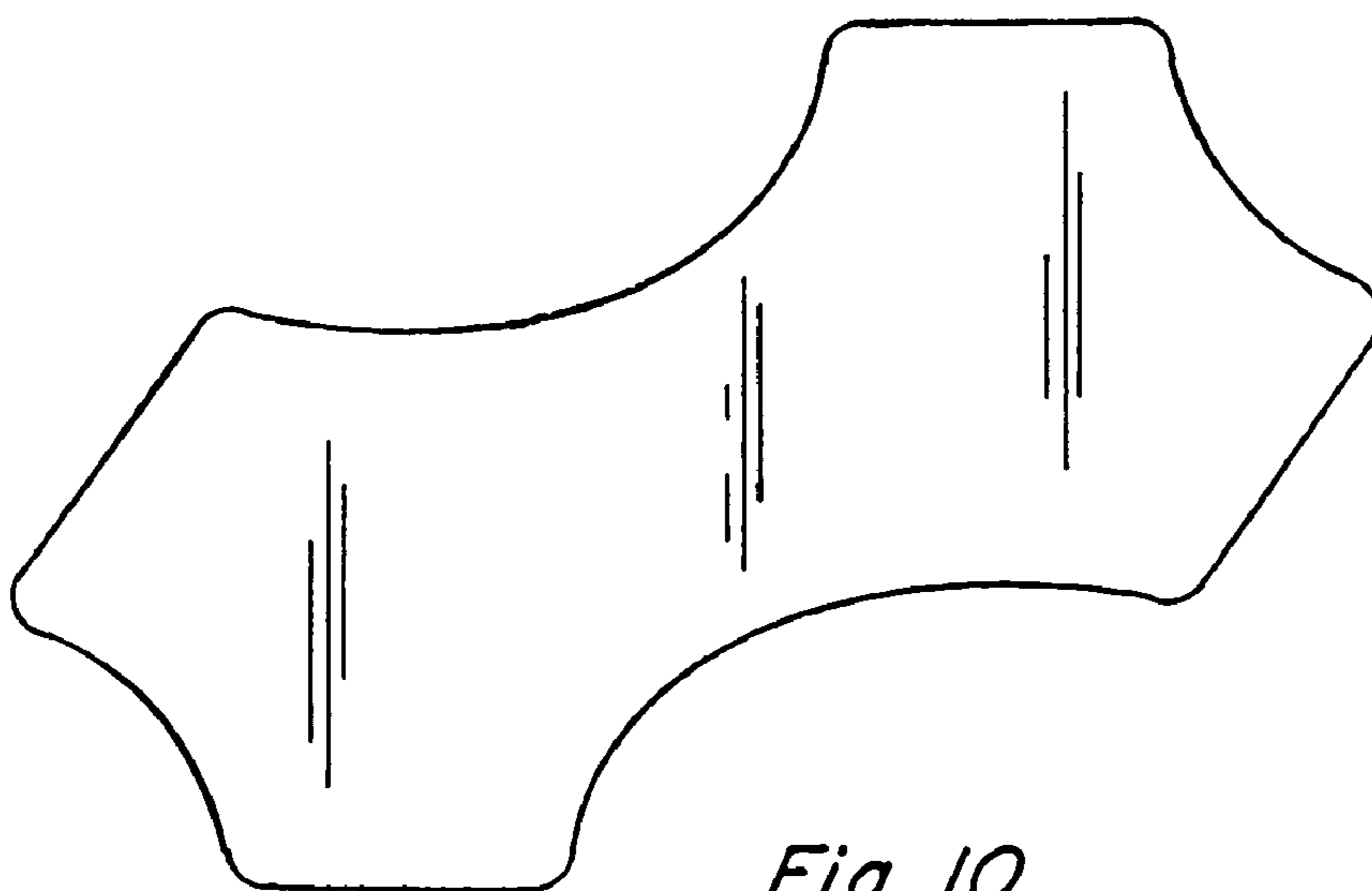


Fig. 10

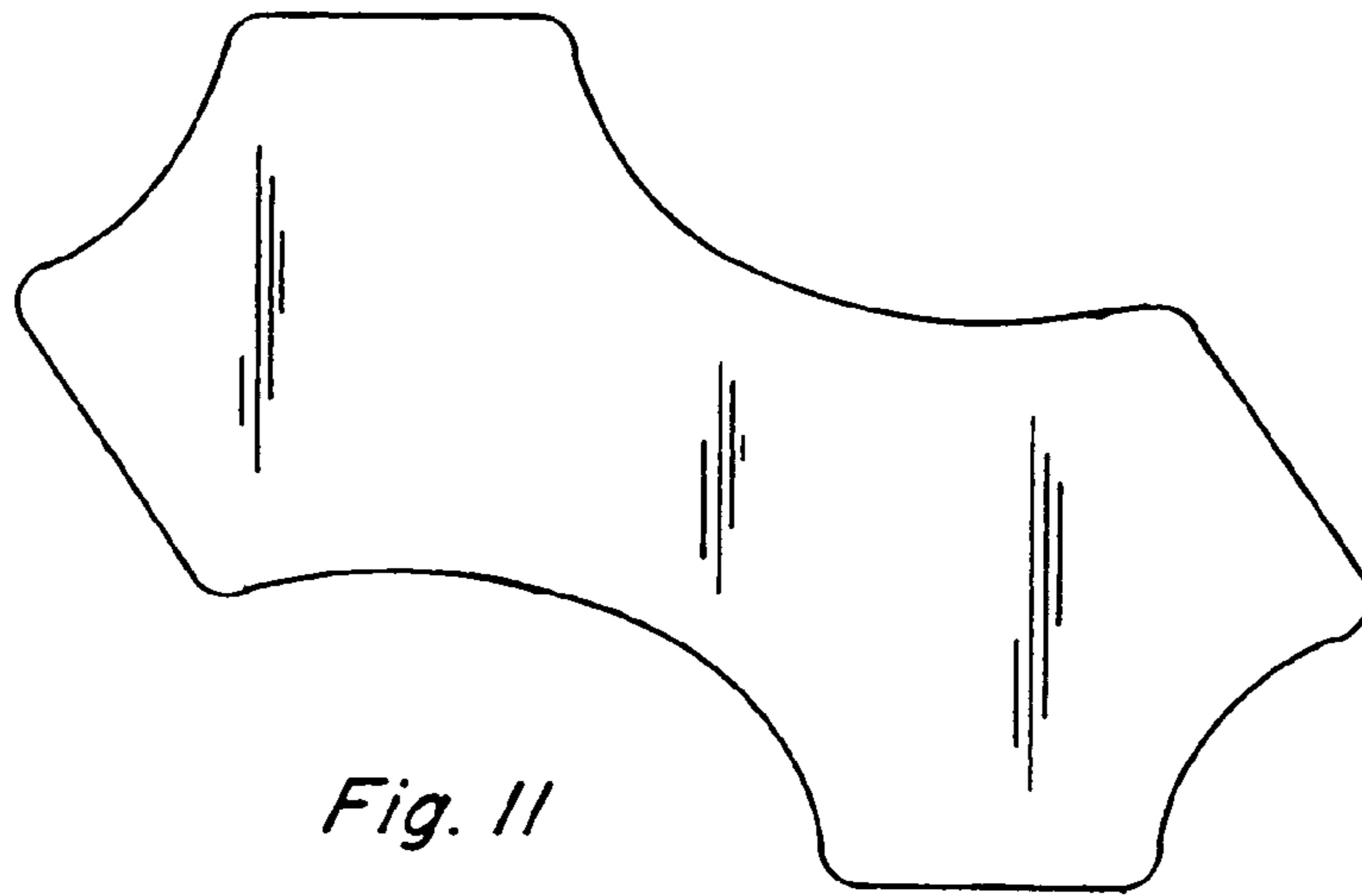


Fig. 11

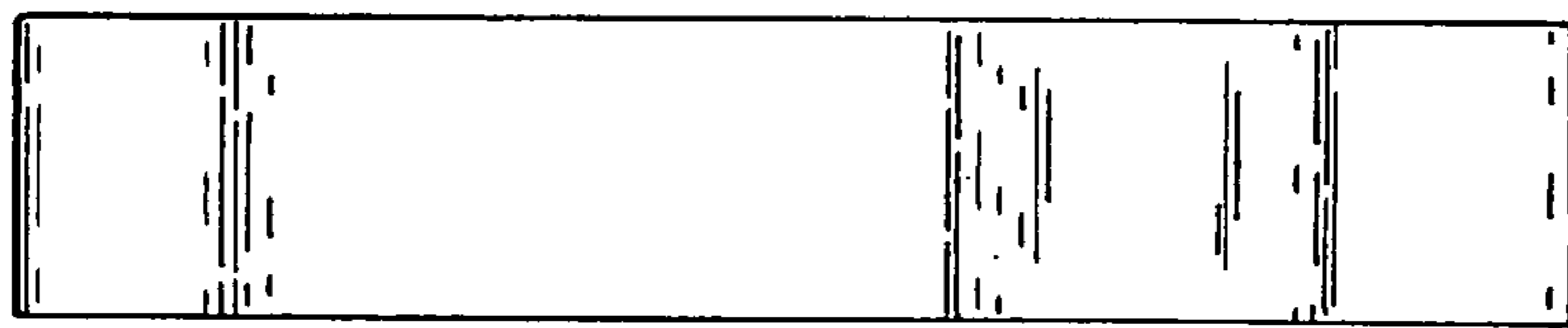


Fig. 12

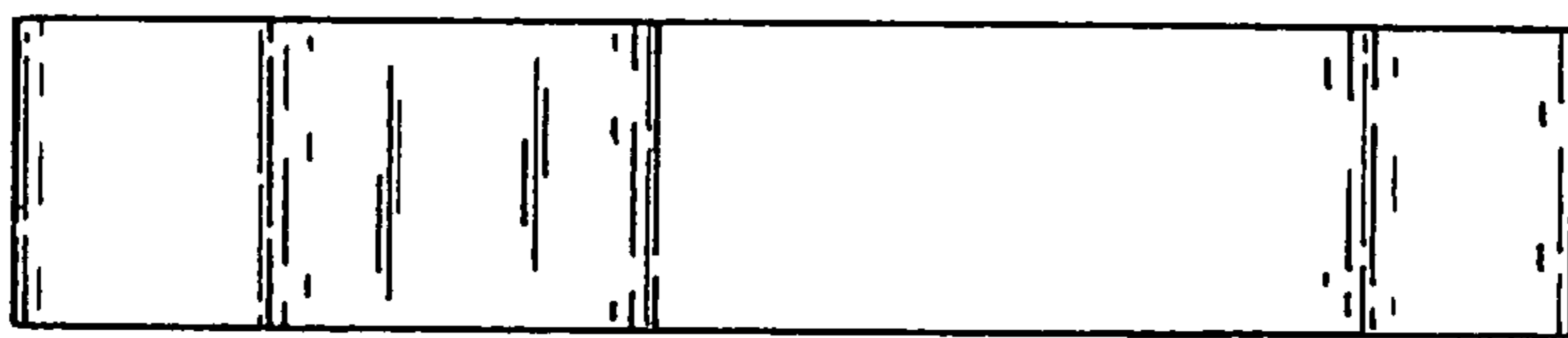


Fig. 13

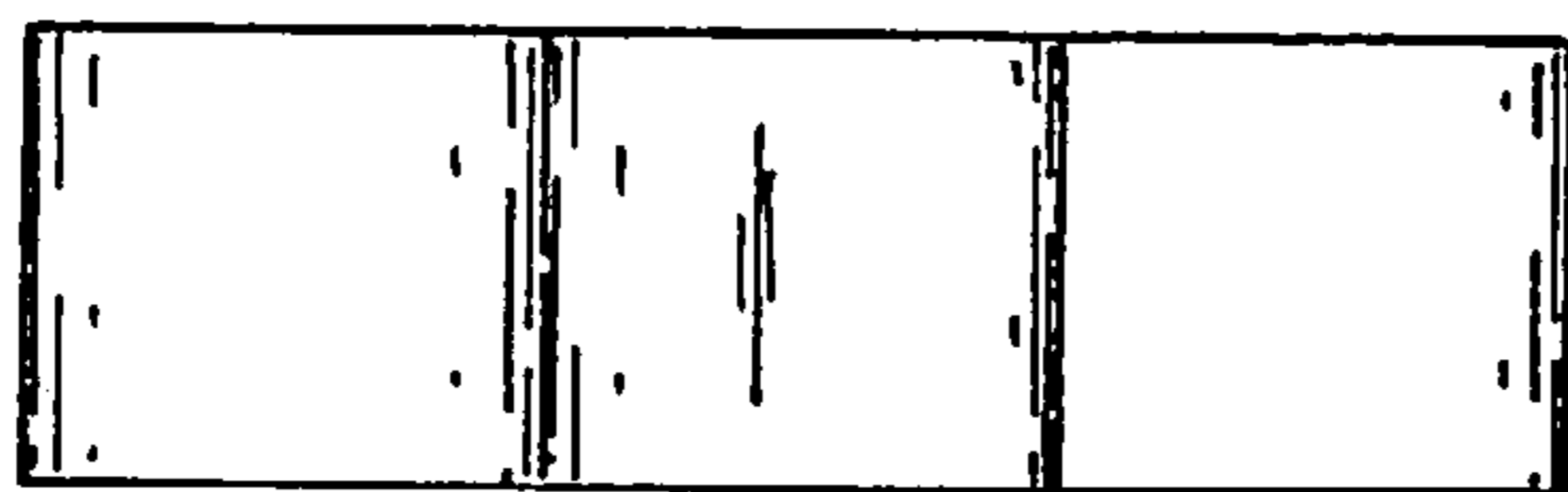


Fig. 14

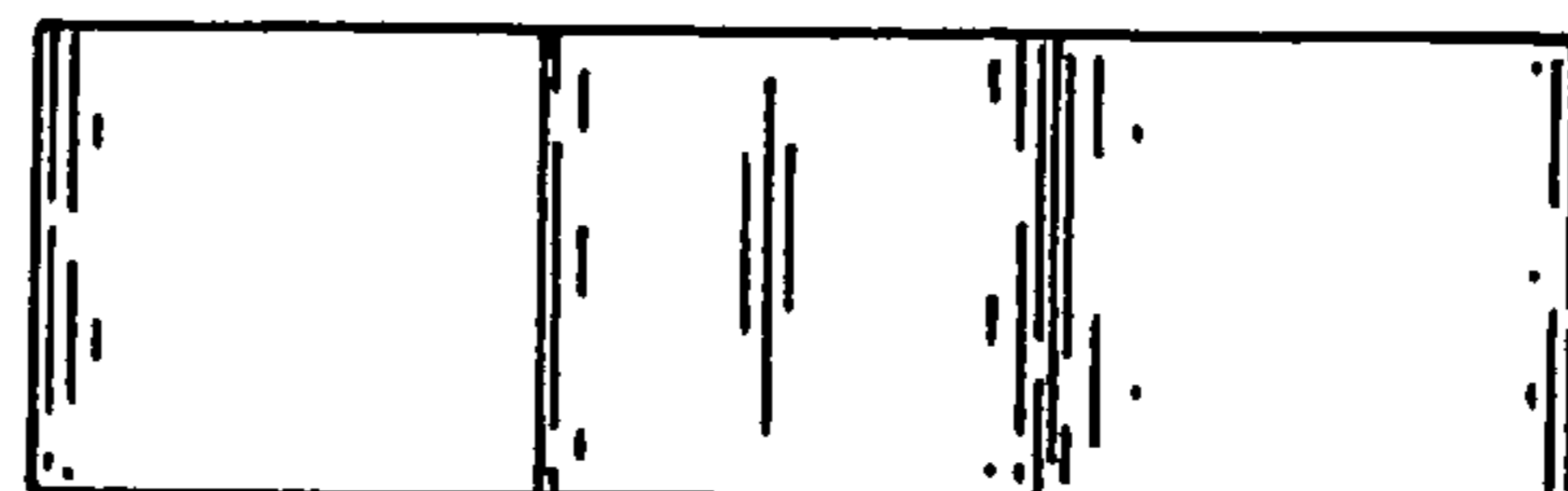


Fig. 15

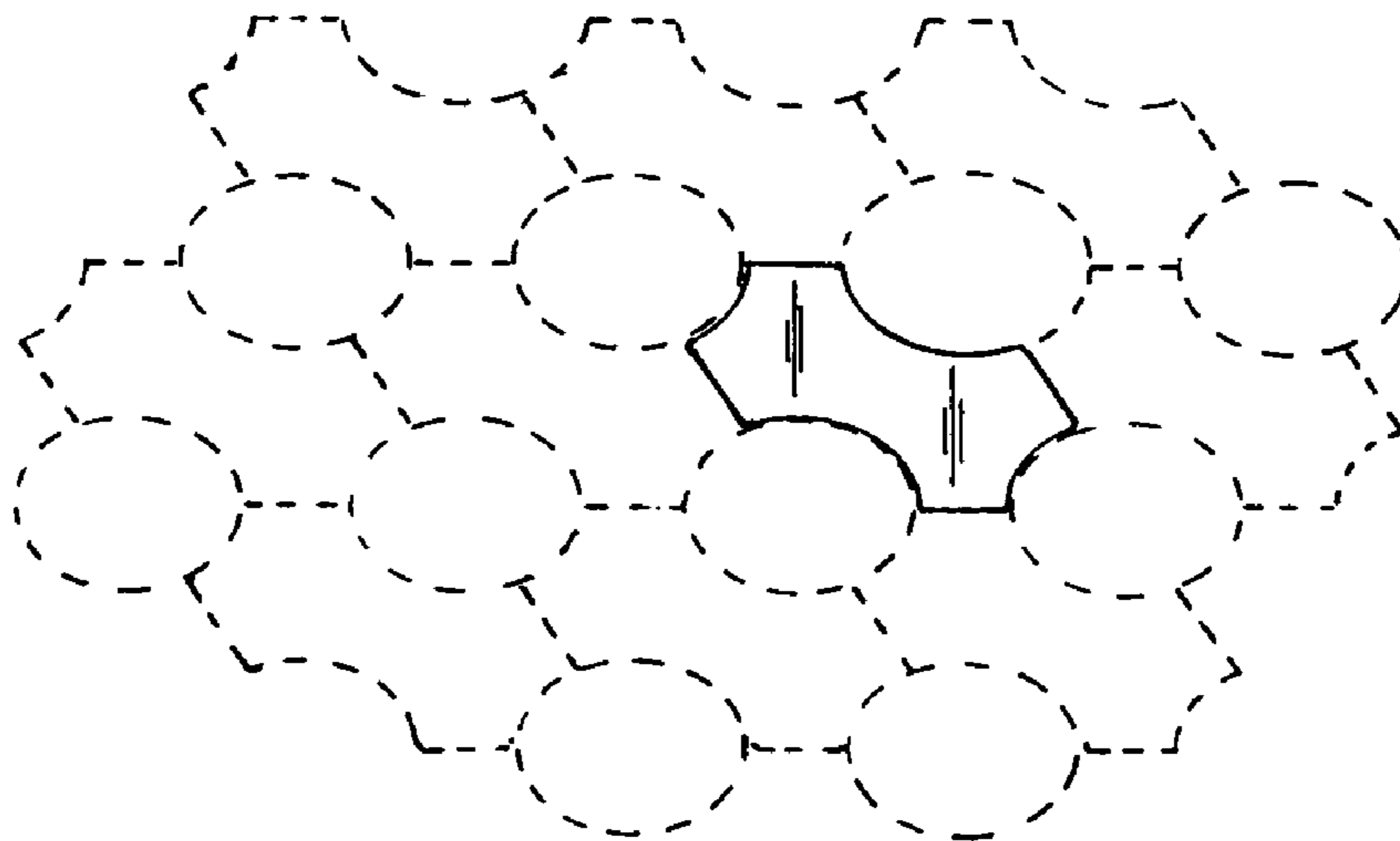


Fig. 16