

US00D546476S

(12) **United States Design Patent**
Tressoff et al.

(10) **Patent No.:** **US D546,476 S**

(45) **Date of Patent:** **** Jul. 10, 2007**

(54) **ENVIRONMENTAL ENCLOSURE FOR VENDING MACHINES**

(75) Inventors: **Daniel Howard Tressoff**, Toronto (CA);
Scott Christopher Harris, Oshawa (CA); **John Michael Woloshyn**, Toronto (CA)

(73) Assignee: **Compass Group USA, Inc.**, Charlotte, NC (US)

(**) Term: **14 Years**

(21) Appl. No.: **29/232,998**

(22) Filed: **Jun. 24, 2005**

(51) **LOC (8) Cl.** **25-02**

(52) **U.S. Cl.** **D25/58**

(58) **Field of Classification Search** D25/58,
D25/59, 4; 52/144-145, 36.1
See application file for complete search history.

(56) **References Cited**

U.S. PATENT DOCUMENTS

D226,353 S	2/1973	Schultz et al.	D25/184
D231,693 S	5/1974	Datner	D25/4
D375,170 S	10/1996	Rose et al.	D25/29
D407,180 S	3/1999	Riga	D99/8
D435,597 S	12/2000	Febish et al.	D20/10
D447,182 S	8/2001	Marshall et al.	D25/58
D447,248 S	8/2001	Marshall et al.	D25/58

D447,571 S	9/2001	Marshall et al.	D25/58
D452,329 S	12/2001	Marshall et al.	D25/58
D454,401 S	* 3/2002	Marshall et al.	D25/58
D454,961 S	* 3/2002	Marshall et al.	D25/58
D465,854 S	* 11/2002	Marshall et al.	D25/58
D470,599 S	* 2/2003	Marshall et al.	D25/58
D485,913 S	* 1/2004	Gray	D25/58

* cited by examiner

Primary Examiner—Catherine R. Oliver

(74) *Attorney, Agent, or Firm*—Kilpatrick Stockton LLP

(57) **CLAIM**

The ornamental design for an environmental enclosure for vending machines, as shown and described.

DESCRIPTION

FIG. 1 is a front perspective view of an environmental enclosure for vending machines showing our new design.

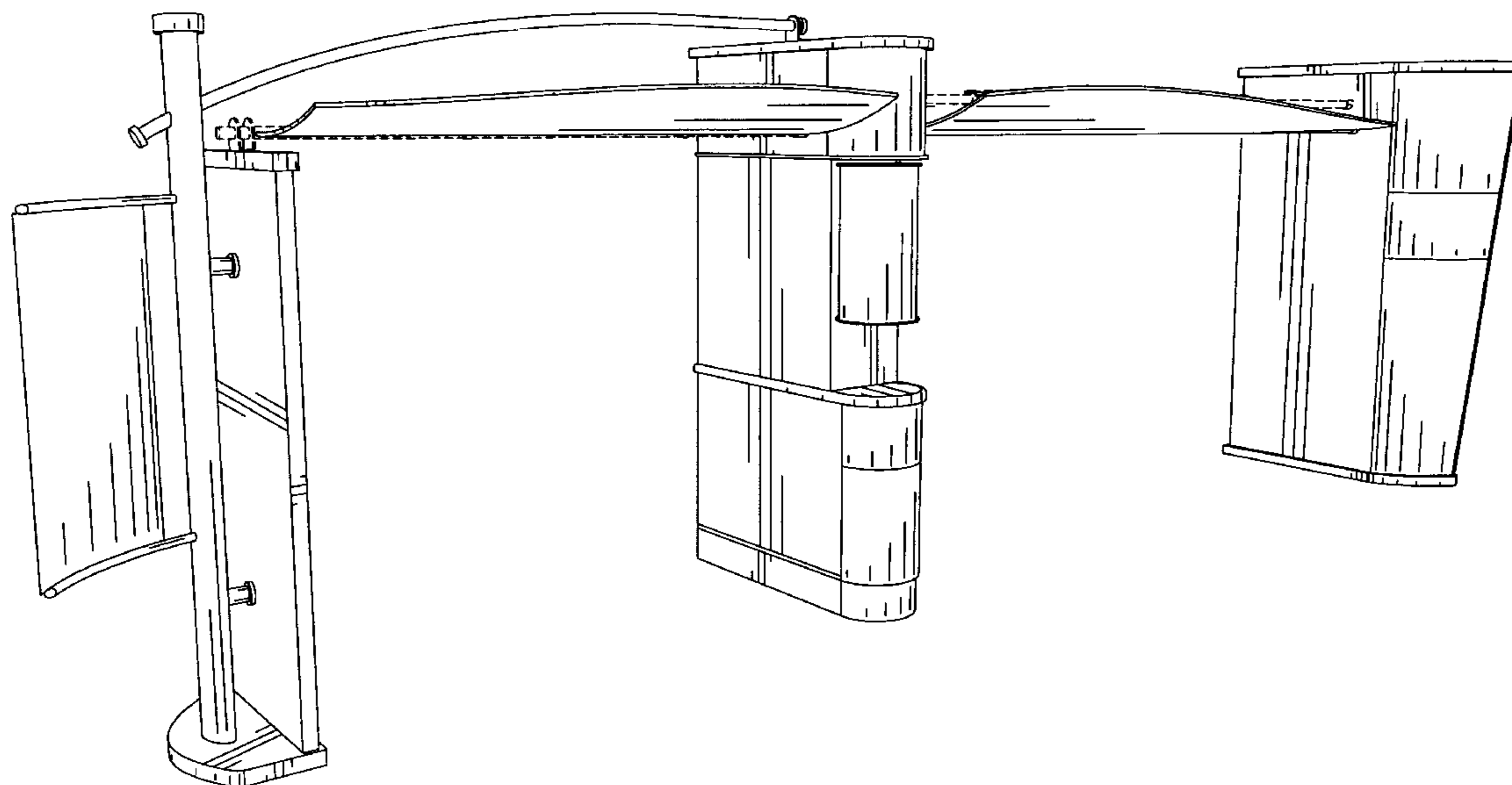
FIG. 2 is a second front perspective view of the environmental enclosure of FIG. 1 with vending machines shown in broken lines to illustrate the environment in which the invention is used.

FIG. 3 is a top view of the environmental enclosure of FIG. 1 with vending machines shown in broken lines to illustrate the environment in which the invention is used.

FIG. 4 is a left side view of the environmental enclosure for vending machines shown in FIG. 1; and,

FIG. 5 is a right side view of the environmental enclosure for vending machines shown in FIG. 1.

1 Claim, 4 Drawing Sheets



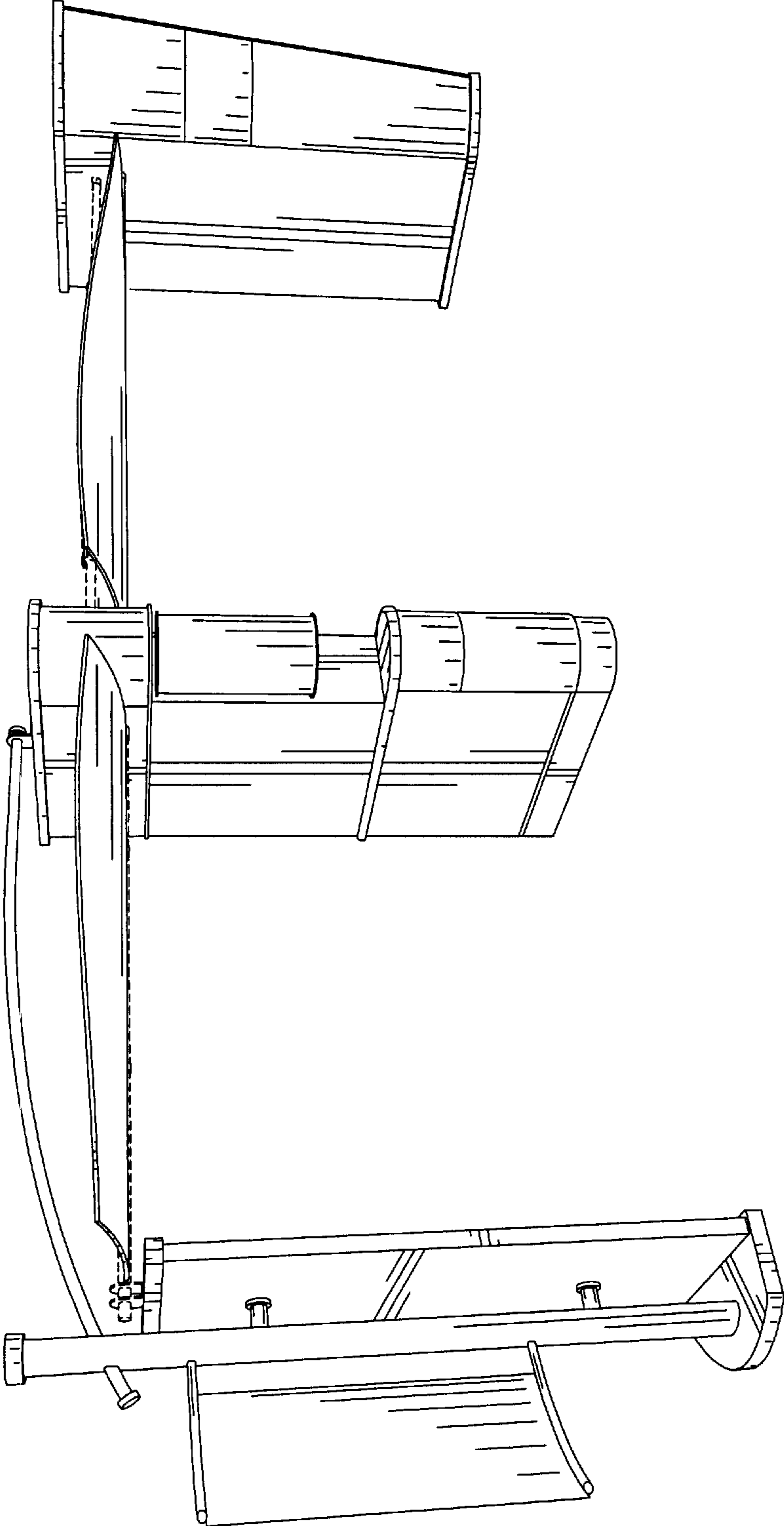


FIG. 1

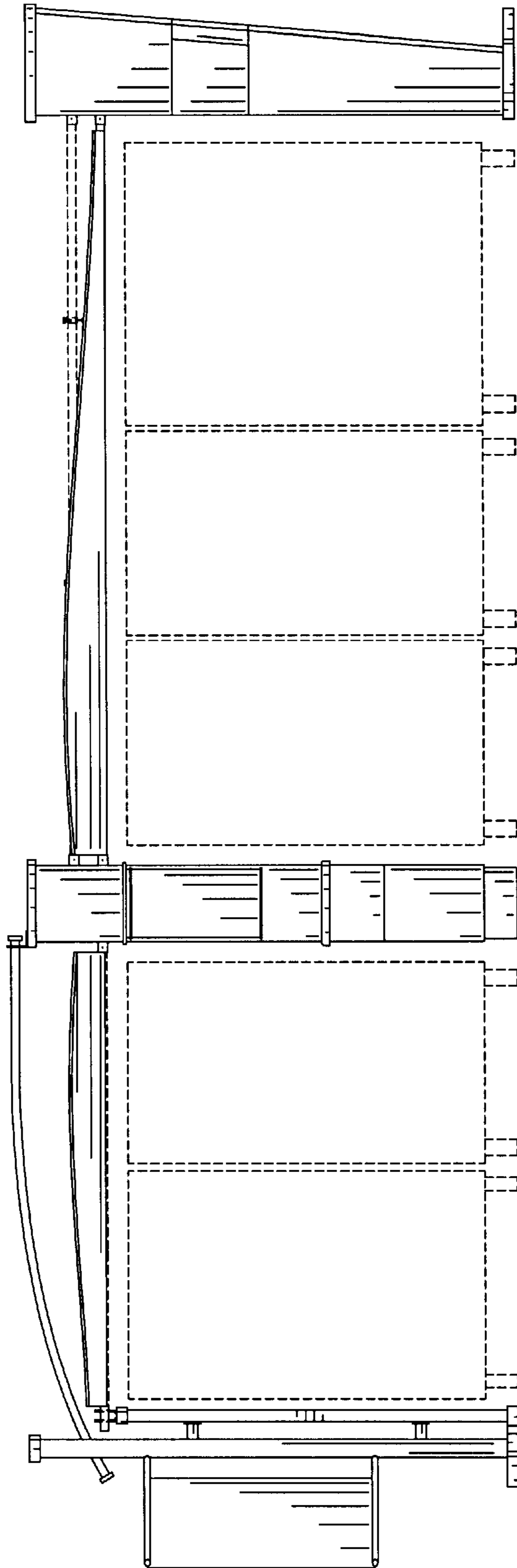


FIG. 2

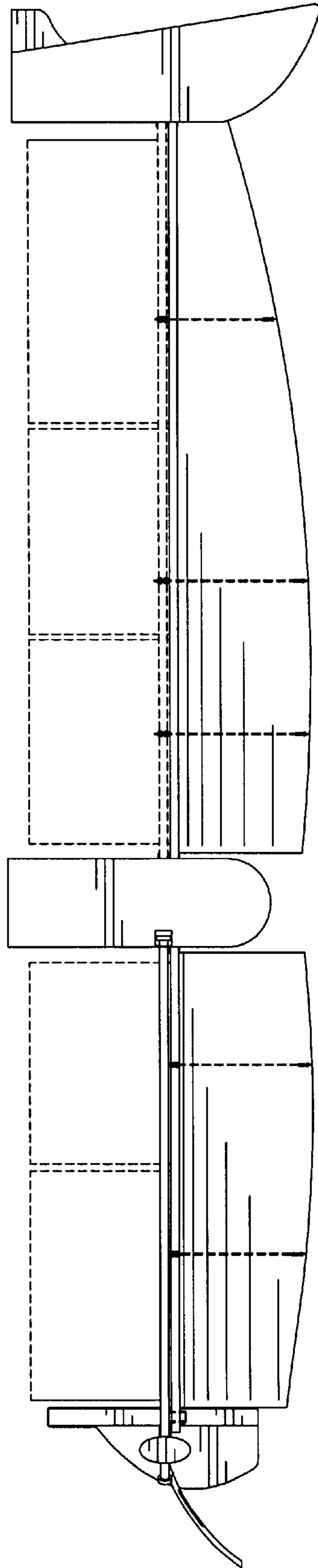


FIG. 3

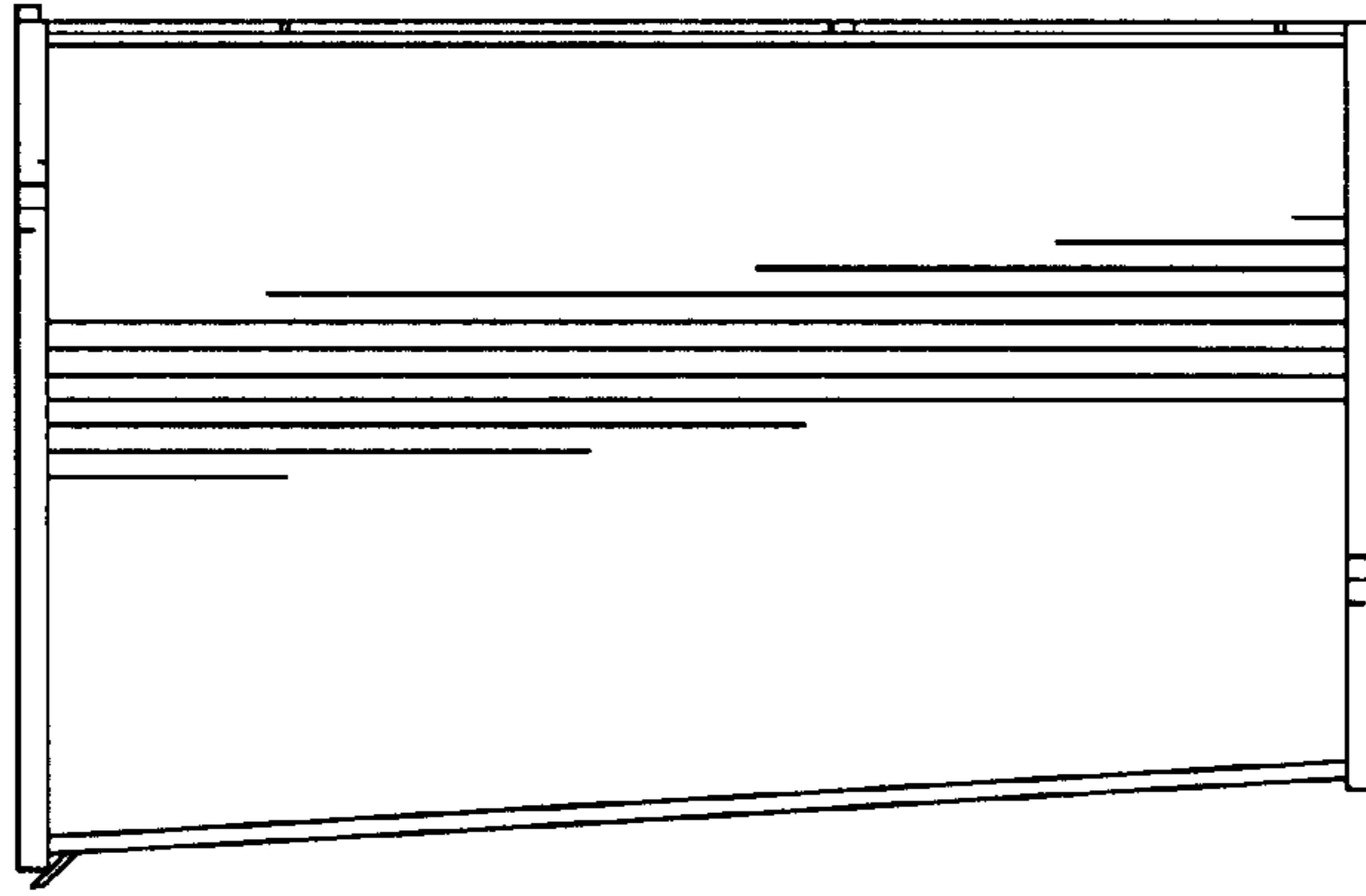


FIG. 5

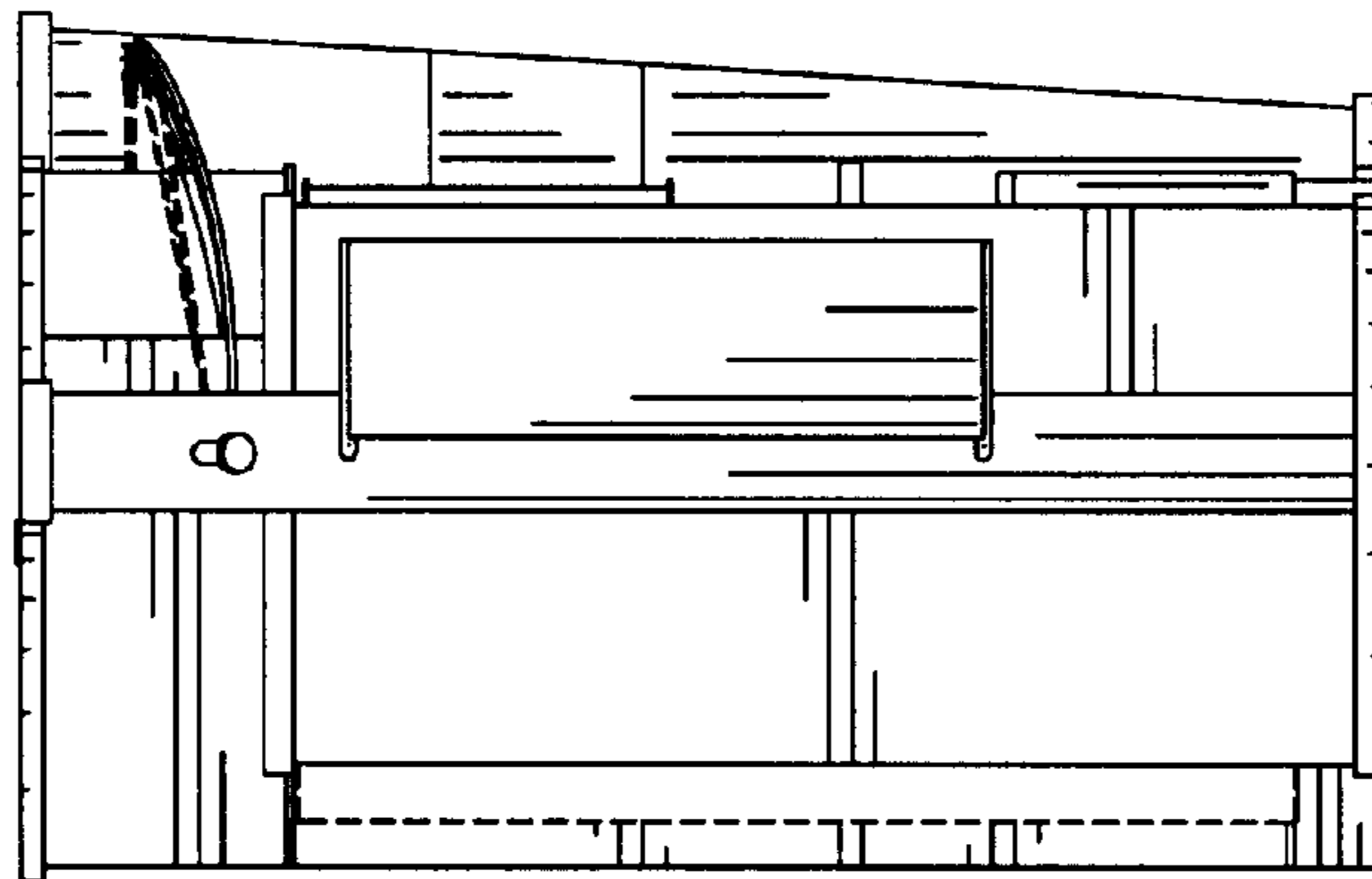


FIG. 4