

US00D546473S

(12) **United States Design Patent**
Xu

(10) **Patent No.:** **US D546,473 S**

(45) **Date of Patent:** **** Jul. 10, 2007**

(54) **STERILIZER**

(76) Inventor: **Buguang Xu**, No. 42, Jiangbei Road,
Hongtang Town, Ningbo, Zhejiang
Province (CN) 315033

(**) Term: **14 Years**

(21) Appl. No.: **29/262,813**

(22) Filed: **Jul. 11, 2006**

(30) **Foreign Application Priority Data**

Jan. 12, 2006 (CN) 200630103392

(51) **LOC (8) Cl.** **24-02**

(52) **U.S. Cl.** **D24/217**

(58) **Field of Classification Search** D24/216-234;
422/26-28, 31, 292, 295, 300-301, 305;
134/95.2

See application file for complete search history.

(56) **References Cited**

U.S. PATENT DOCUMENTS

D247,308 S *	2/1978	Truette	D24/217
D330,771 S *	11/1992	Chaney et al.	D24/217
D347,696 S *	6/1994	Tominaga	D24/217
D353,465 S *	12/1994	Arioka et al.	D24/232
5,533,539 A *	7/1996	Sutter et al.	134/95.2
D404,827 S *	1/1999	Thoburn	D24/217
D430,304 S *	8/2000	Oonuma et al.	D24/233
D433,147 S *	10/2000	Florkey et al.	D24/217
D508,999 S *	8/2005	Fanning et al.	D24/216
D527,464 S *	8/2006	Ina et al.	D24/232

7,138,087 B1 * 11/2006 Malkin et al. 422/26
D535,403 S * 1/2007 Isozaki et al. D24/232

* cited by examiner

Primary Examiner—Louis Zarfaz

Assistant Examiner—Mark Cavanna

(74) *Attorney, Agent, or Firm*—Merchant & Gould P.C.

(57) **CLAIM**

The ornamental design for a sterilizer, as shown and described.

DESCRIPTION

FIG. 1 is the front view of the sterilizer according to the present invention.

FIG. 2 is the back view of the sterilizer according to the present invention.

FIG. 3 is a left side view of the sterilizer according to the present invention;

FIG. 4 is a right side view of the sterilizer according to the present invention;

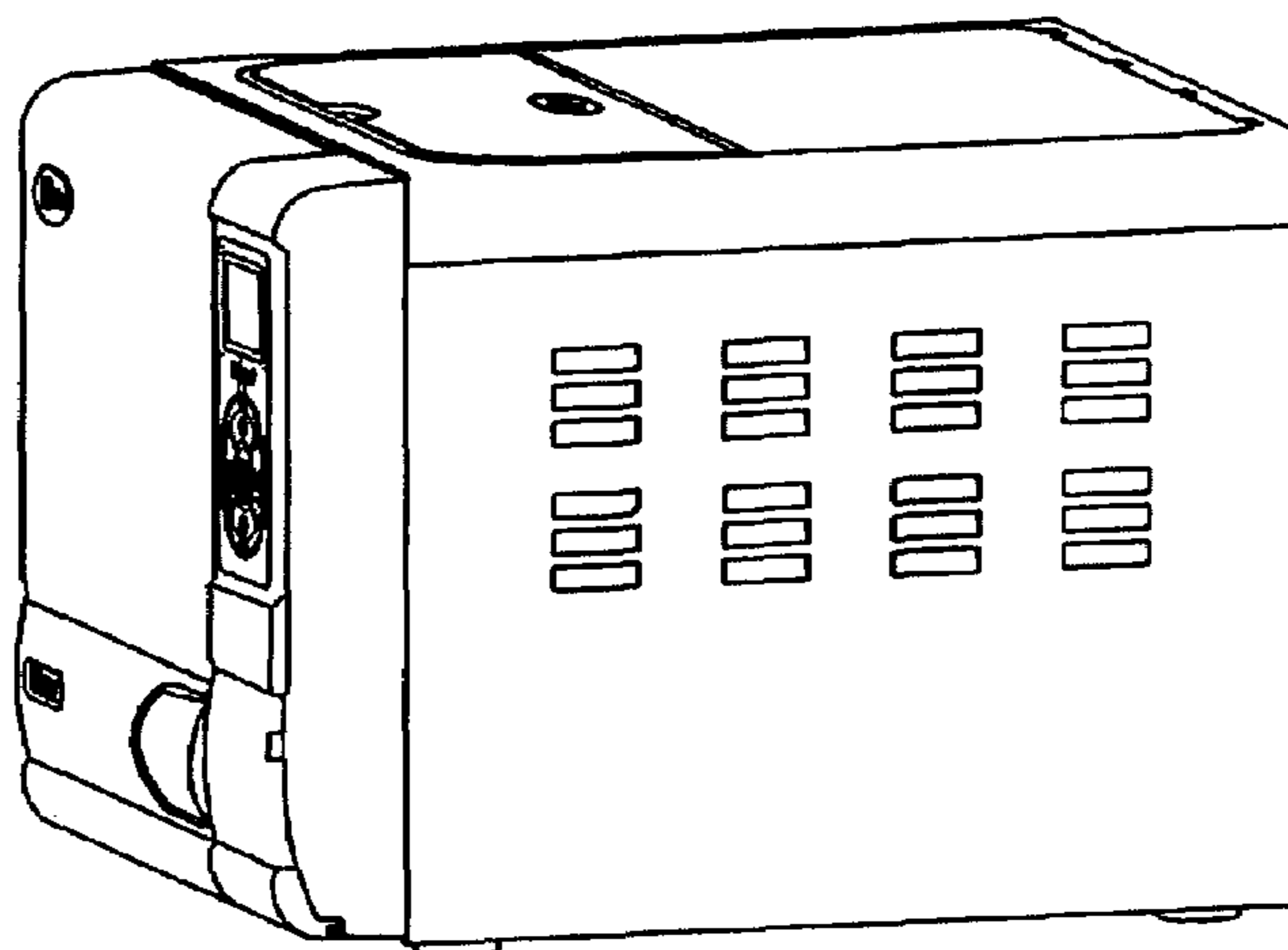
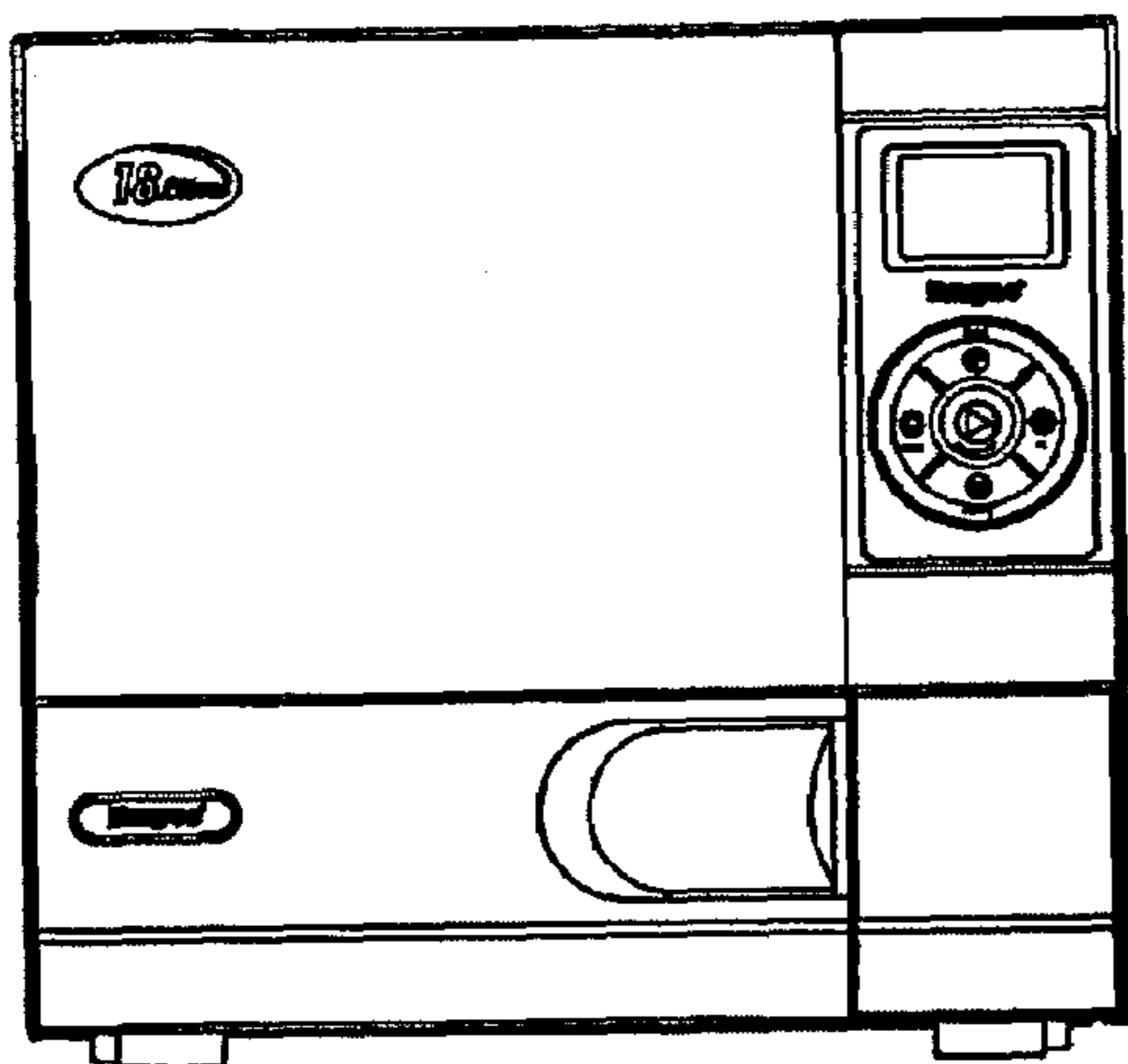
FIG. 5 is a top view of the sterilizer according to the present invention;

FIG. 6 is a bottom view of the sterilizer according to the present invention; and

FIG. 7 is a perspective view of the front and right side of the sterilizer according to the present invention; and,

FIG. 8 is a perspective view of the front and left side of the sterilizer according to the present invention.

1 Claim, 4 Drawing Sheets



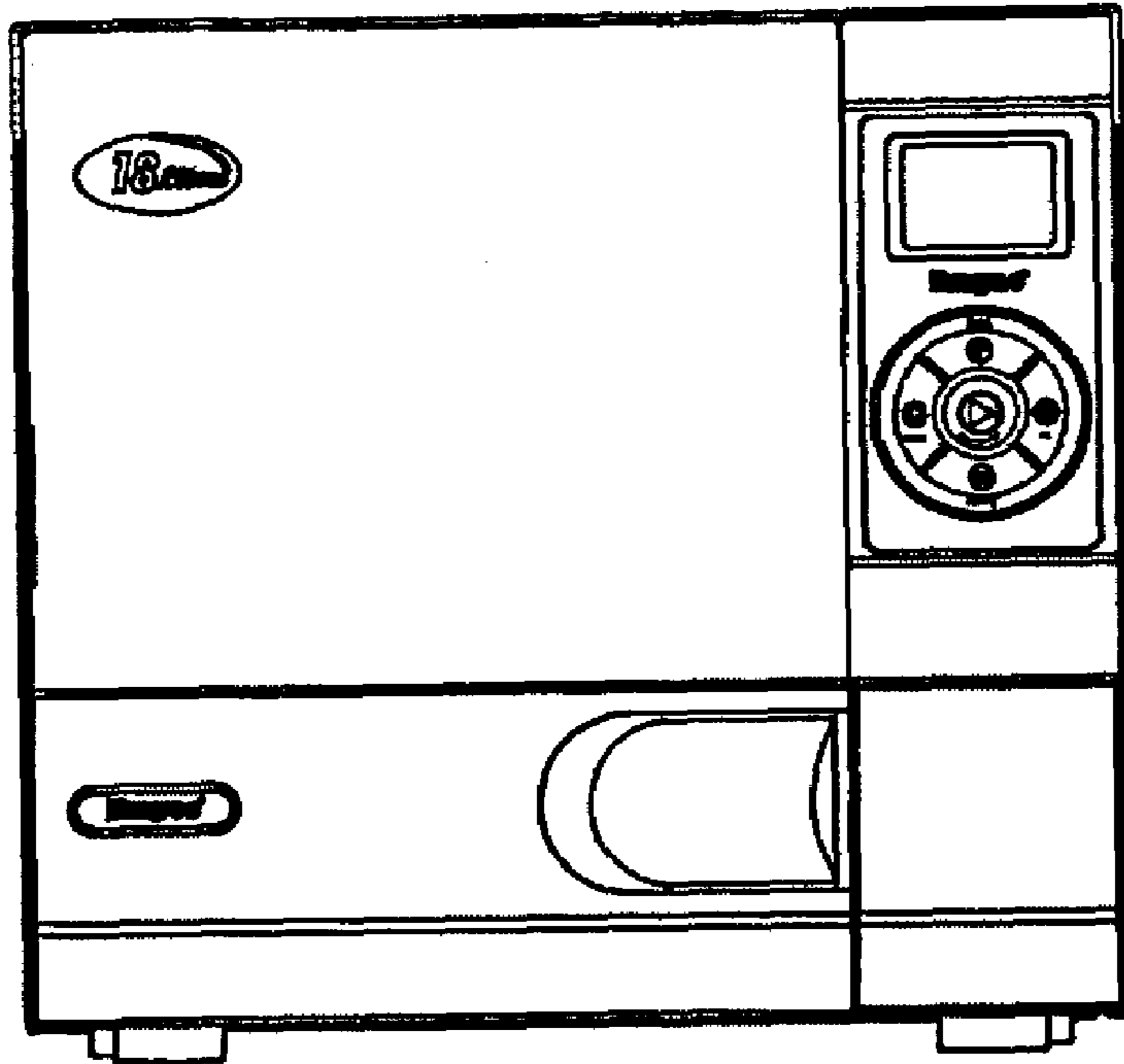


Fig. 1

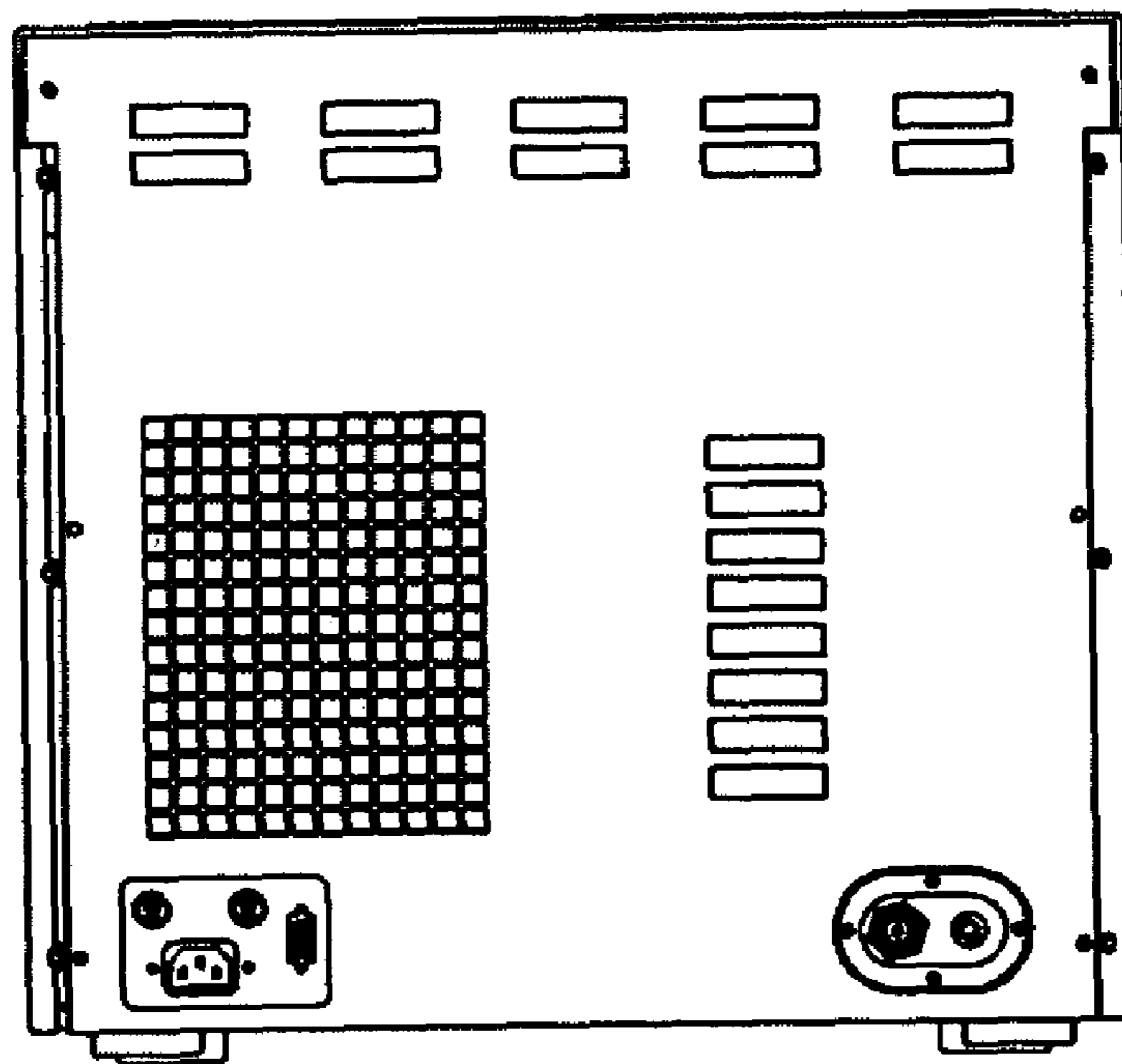


Fig. 2

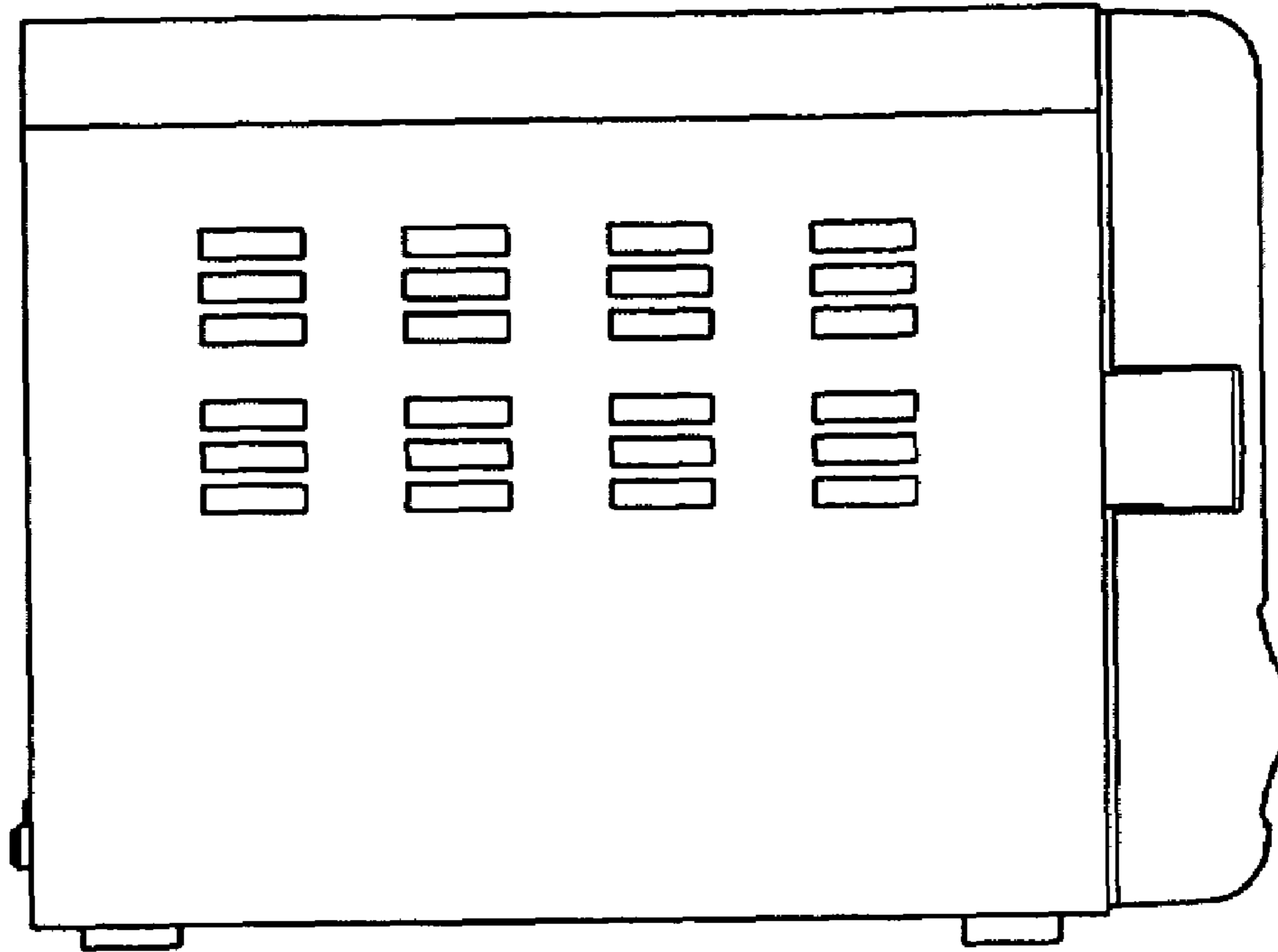


Fig. 3

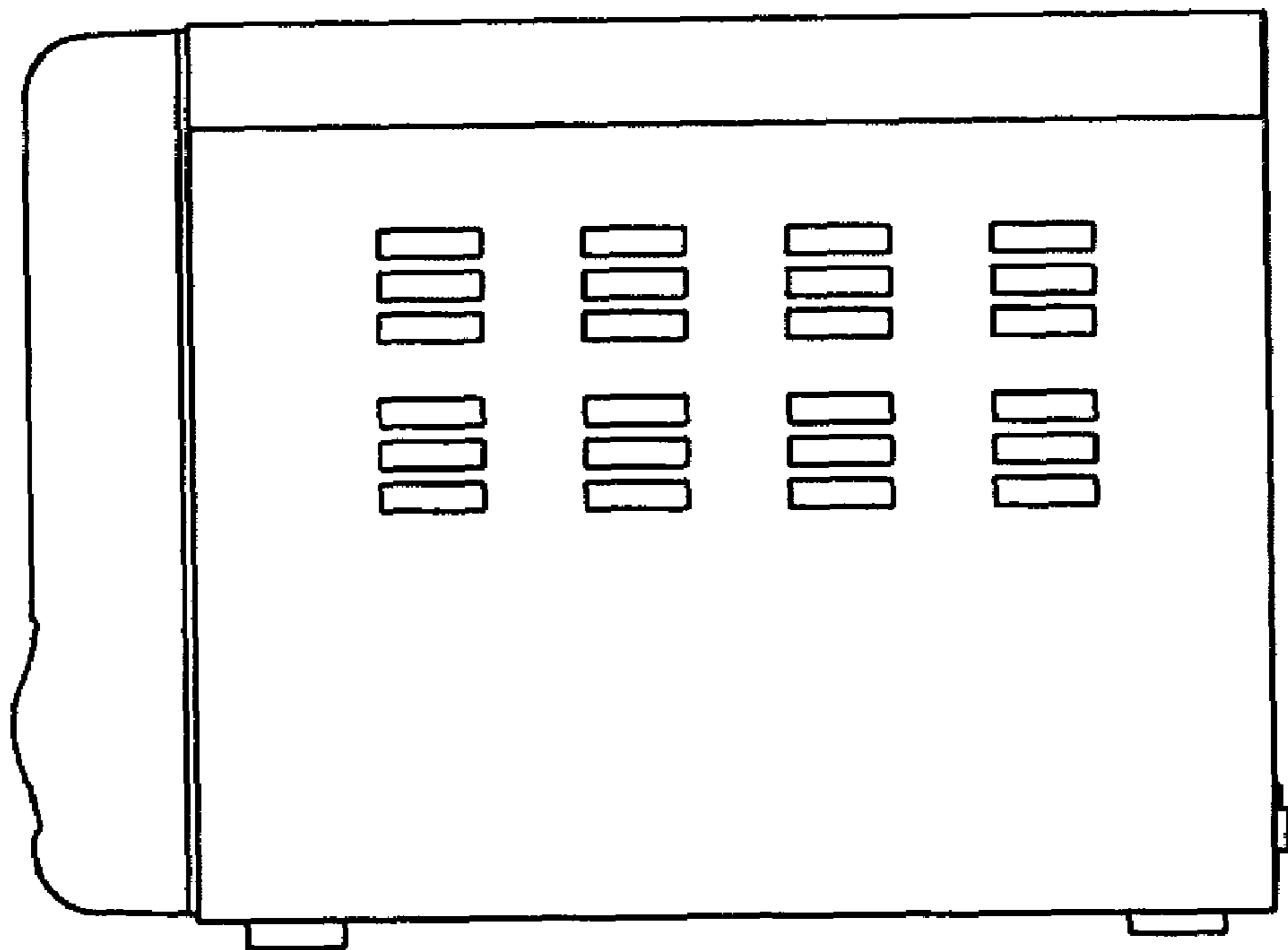


Fig. 4

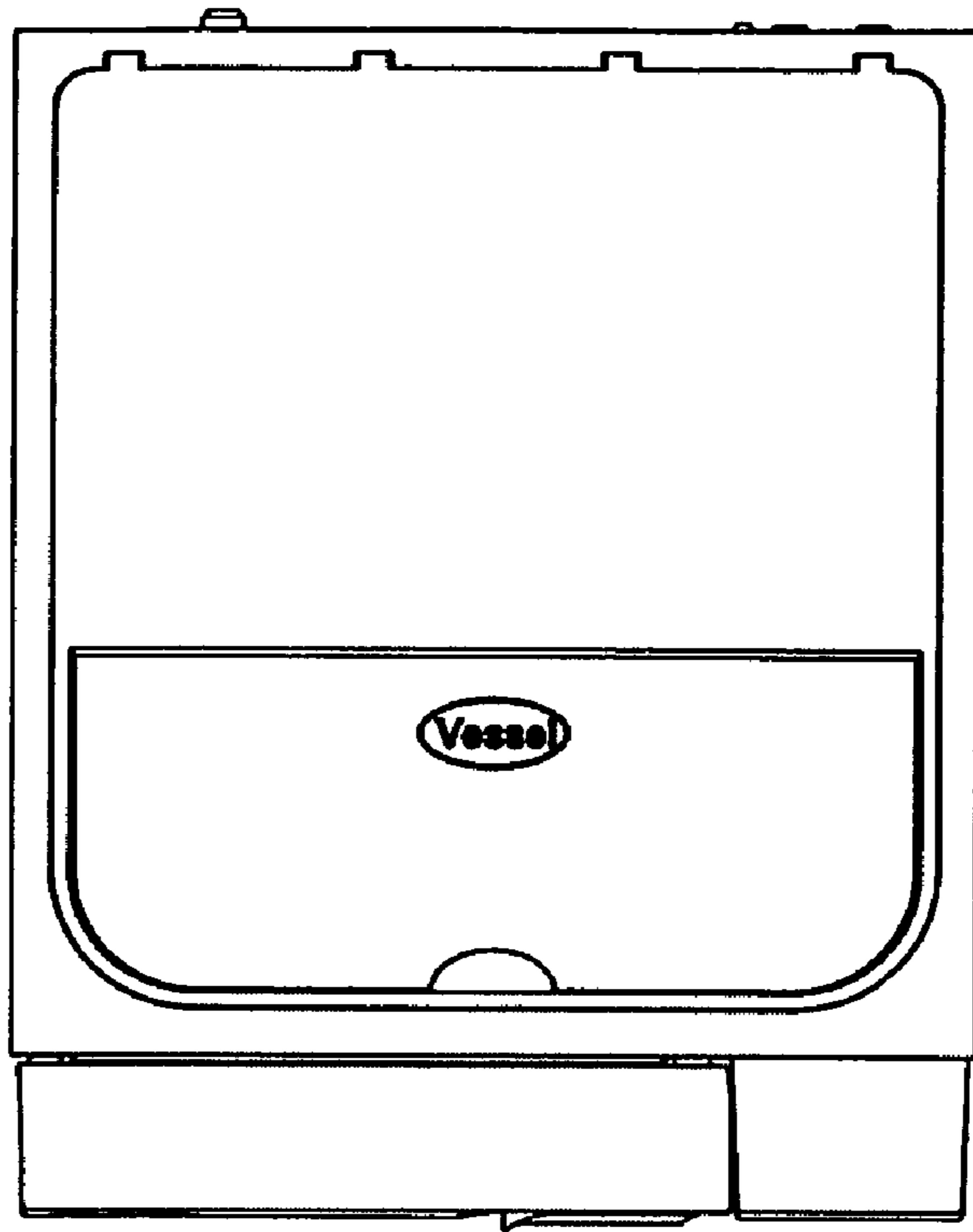


Fig.5

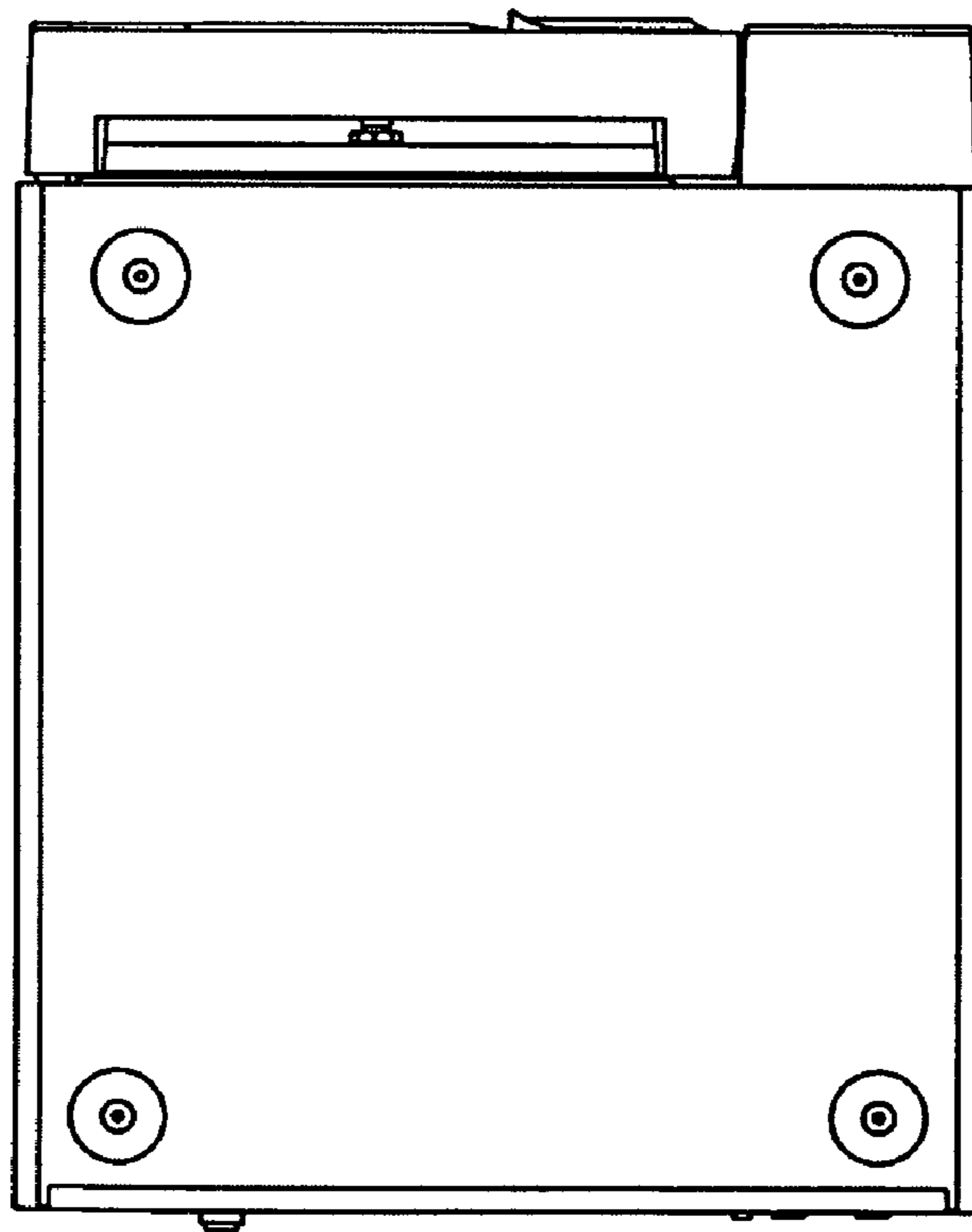


Fig.6

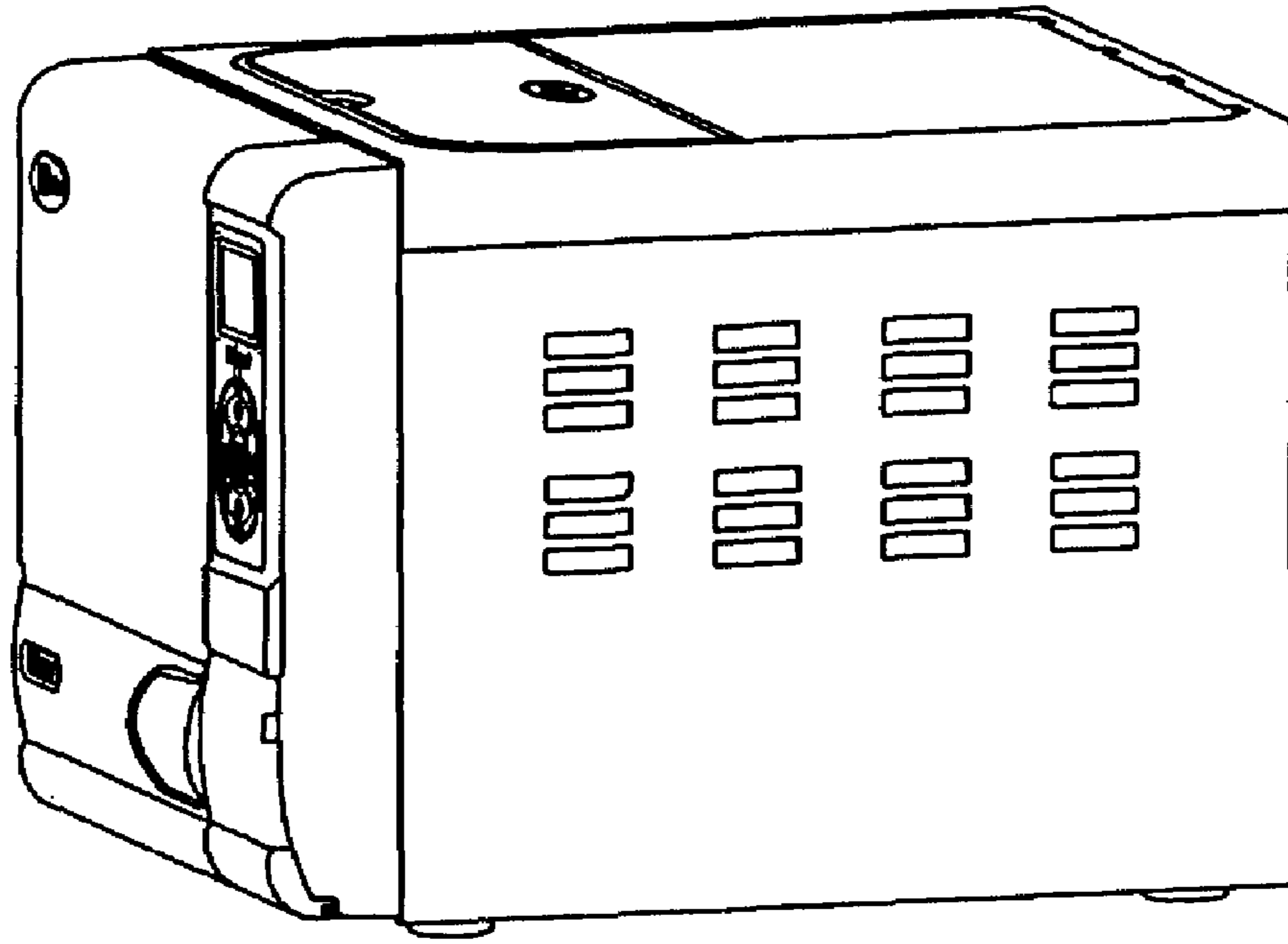


Fig.7

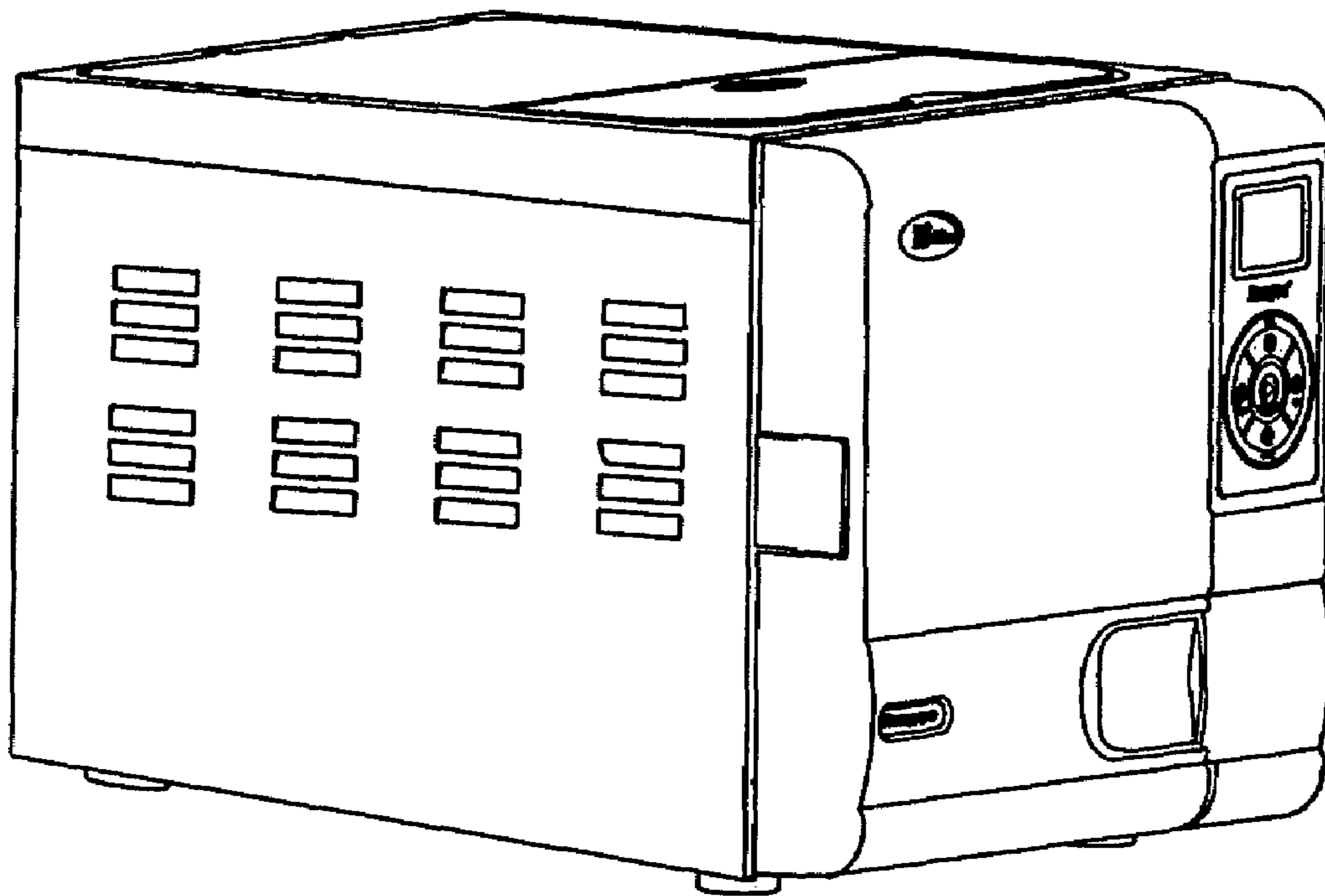


Fig.8