

US00D546459S

(12) **United States Design Patent** (10) **Patent No.:** **US D546,459 S**
Banryu (45) **Date of Patent:** **** Jul. 10, 2007**

(54) **MONITOR FOR AN ULTRASONIC DIAGNOSIS APPARATUS**

D460,055 S * 7/2002 Rosen D14/126
D465,491 S 11/2002 Yamada
D466,118 S * 11/2002 Lee D14/375
D474,163 S 5/2003 Araki
D489,340 S 5/2004 Honda
D491,540 S 6/2004 Honda

(75) Inventor: **Atsunobu Banryu**, Funabashi (JP)

(73) Assignees: **Kabushiki Kaisha Toshiba** (JP);
Toshiba Medical Systems Corporation
(JP)

FOREIGN PATENT DOCUMENTS

(**) Term: **14 Years**

JP 882723 11/1993
JP 915822 12/1994
JP D1065340 3/2000
JP D1240494 5/2005
TW D105542 7/2005

(21) Appl. No.: **29/255,938**

(22) Filed: **Mar. 15, 2006**

OTHER PUBLICATIONS

(30) **Foreign Application Priority Data**

Extract of Nikkei Sangyo Shimbun (a newspaper) showing an ultrasonic diagnosis apparatus (iU22).

Nov. 25, 2005 (JP) 2005-034813

* cited by examiner

(51) **LOC (8) Cl.** **24-01**

Primary Examiner—Louis Zarfaz

(52) **U.S. Cl.** **D24/186**

Assistant Examiner—Mark Cavanna

(58) **Field of Classification Search** D24/158,
D24/160, 165, 169–170, 183–187, 216–234;
D10/104; D14/126, 356, 371, 375, 381;
600/391, 393, 481, 484, 513, 519, 528, 532,
600/536, 538, 549

(74) *Attorney, Agent, or Firm*—Banner & Witcoff, Ltd.

See application file for complete search history.

(57) **CLAIM**

The ornamental design for a monitor for an ultrasonic diagnosis apparatus, as shown and described.

(56) **References Cited**

DESCRIPTION

U.S. PATENT DOCUMENTS

D370,922 S 6/1996 Onoda et al.
D383,842 S * 9/1997 Kenley et al. D24/169
D386,158 S * 11/1997 Rosen D14/375
D387,040 S 12/1997 Iino
D395,085 S * 6/1998 Kenley et al. D24/169
D396,857 S 8/1998 Ito
D406,894 S * 3/1999 Menhennett et al. D24/169
D412,748 S * 8/1999 Nabarro D24/186
D426,204 S * 6/2000 Maio et al. D14/356
D447,569 S * 9/2001 Baily et al. D24/186
D459,477 S * 6/2002 Stocks et al. D24/164

FIG. 1 is a front perspective view of a monitor for an ultrasonic diagnosis apparatus, showing my new design;

FIG. 2 is a front elevational view thereof;

FIG. 3 is a rear elevational view thereof;

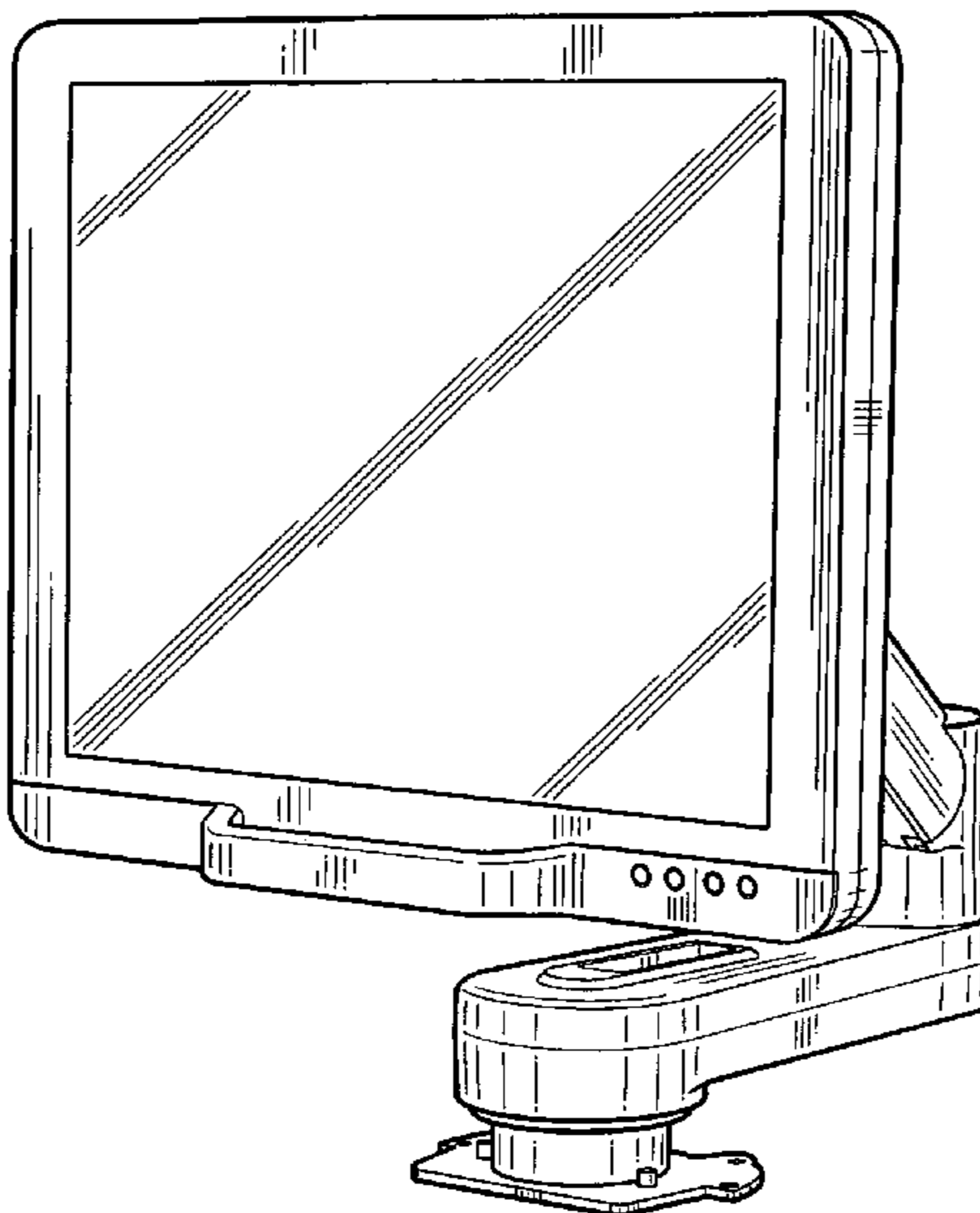
FIG. 4 is a top plan view thereof;

FIG. 5 is a bottom plan view thereof;

FIG. 6 is a right side elevational view thereof; and,

FIG. 7 is a left side elevational view thereof.

1 Claim, 7 Drawing Sheets



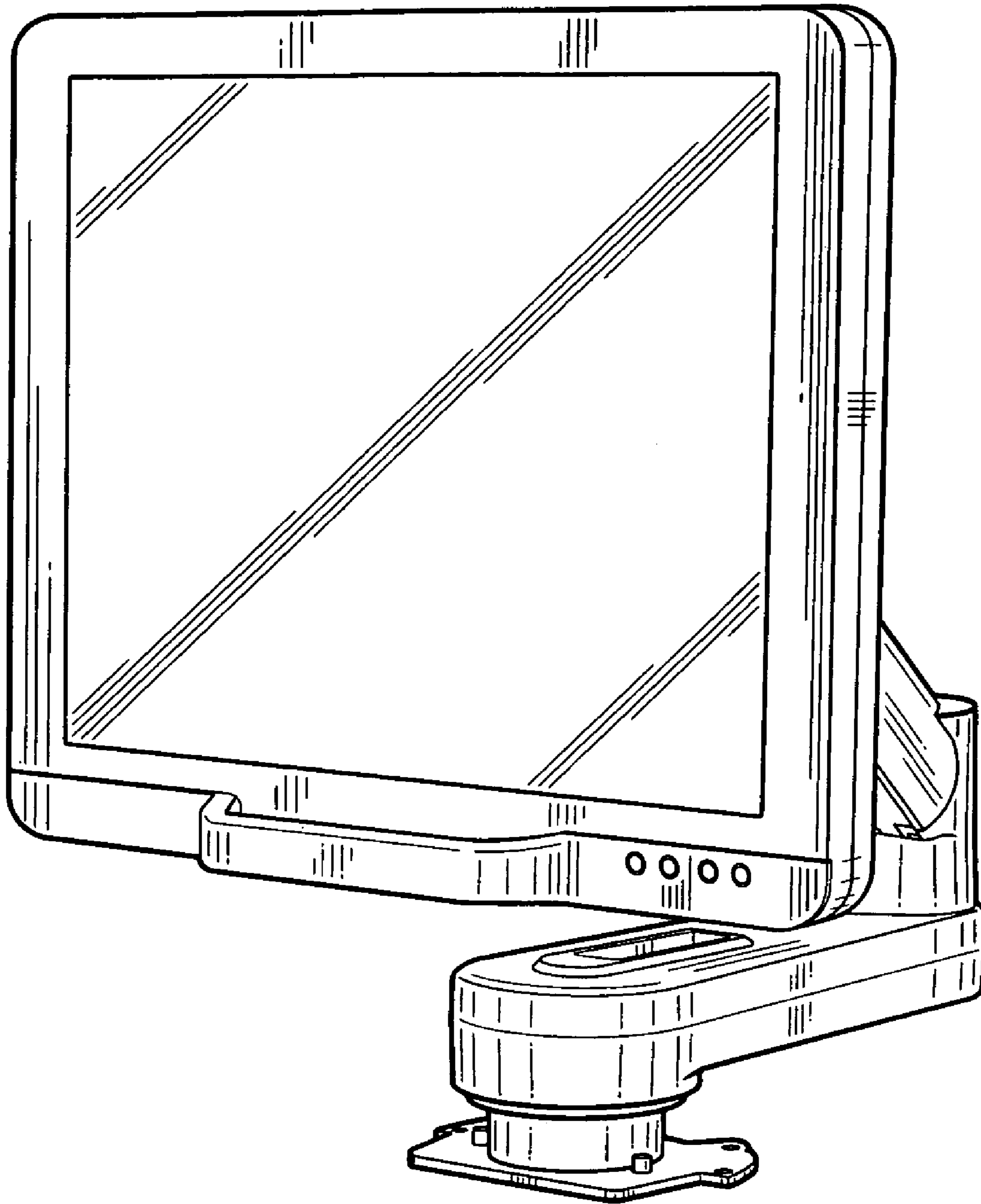


FIG. 1

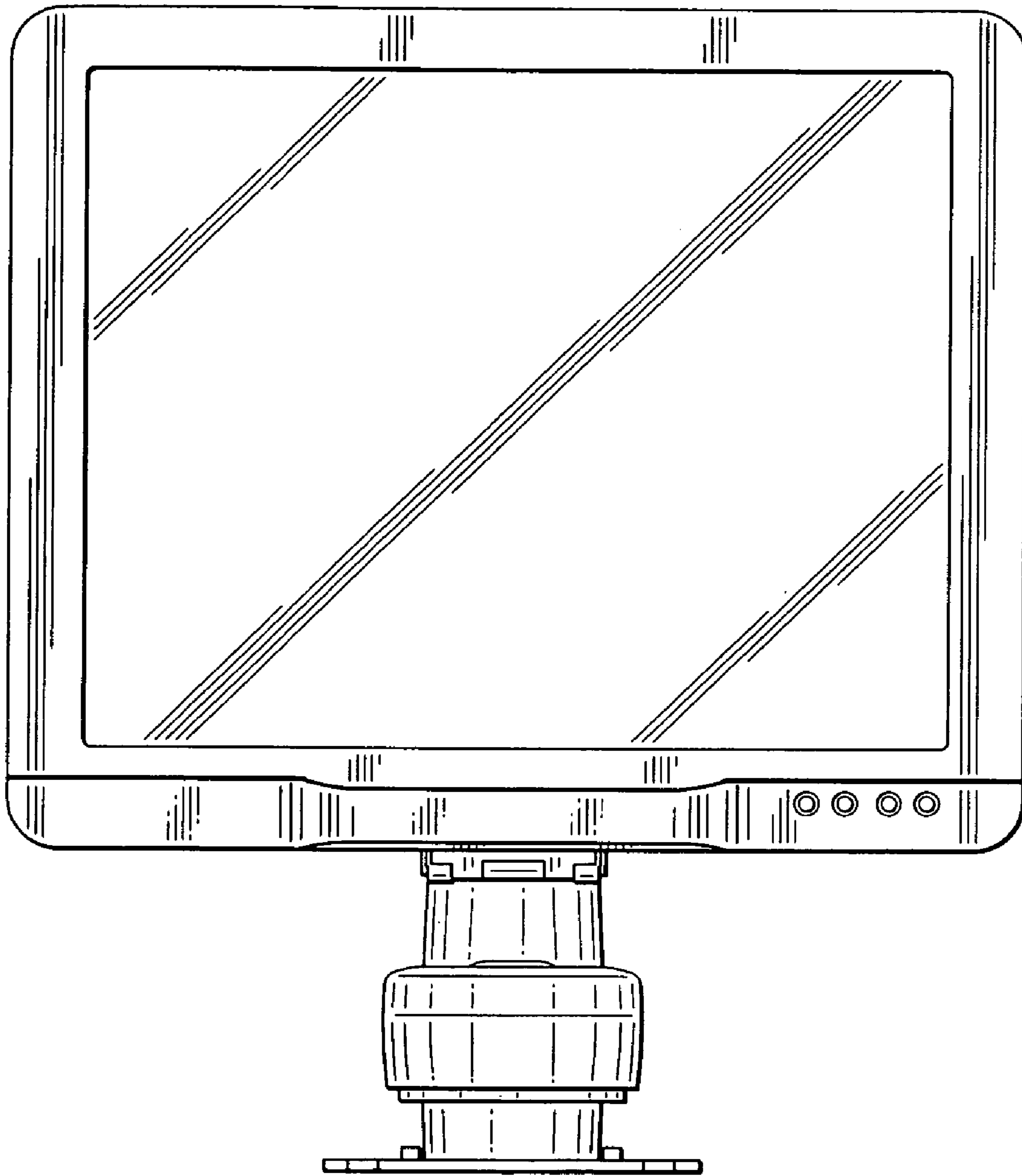


FIG. 2

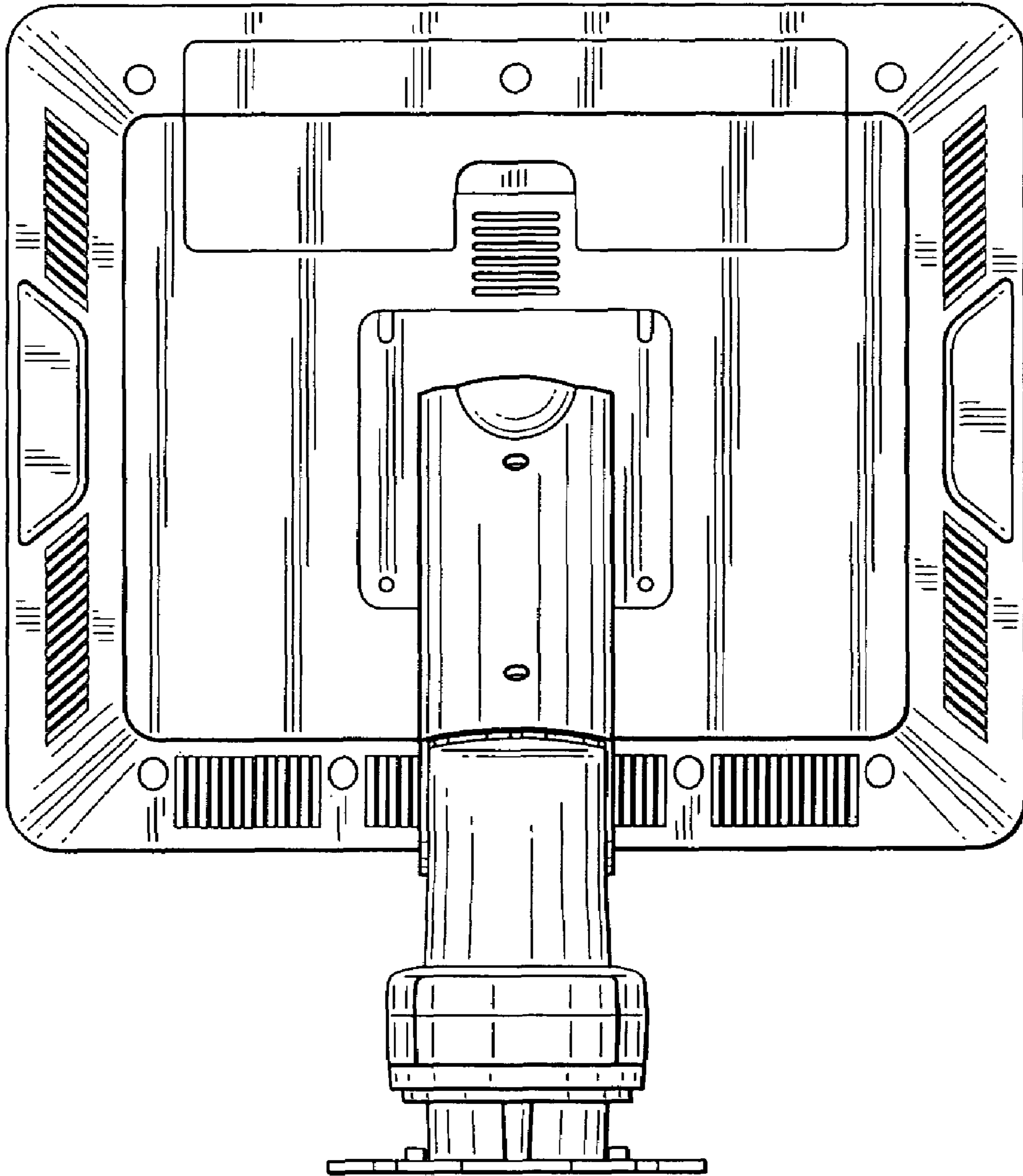


FIG. 3

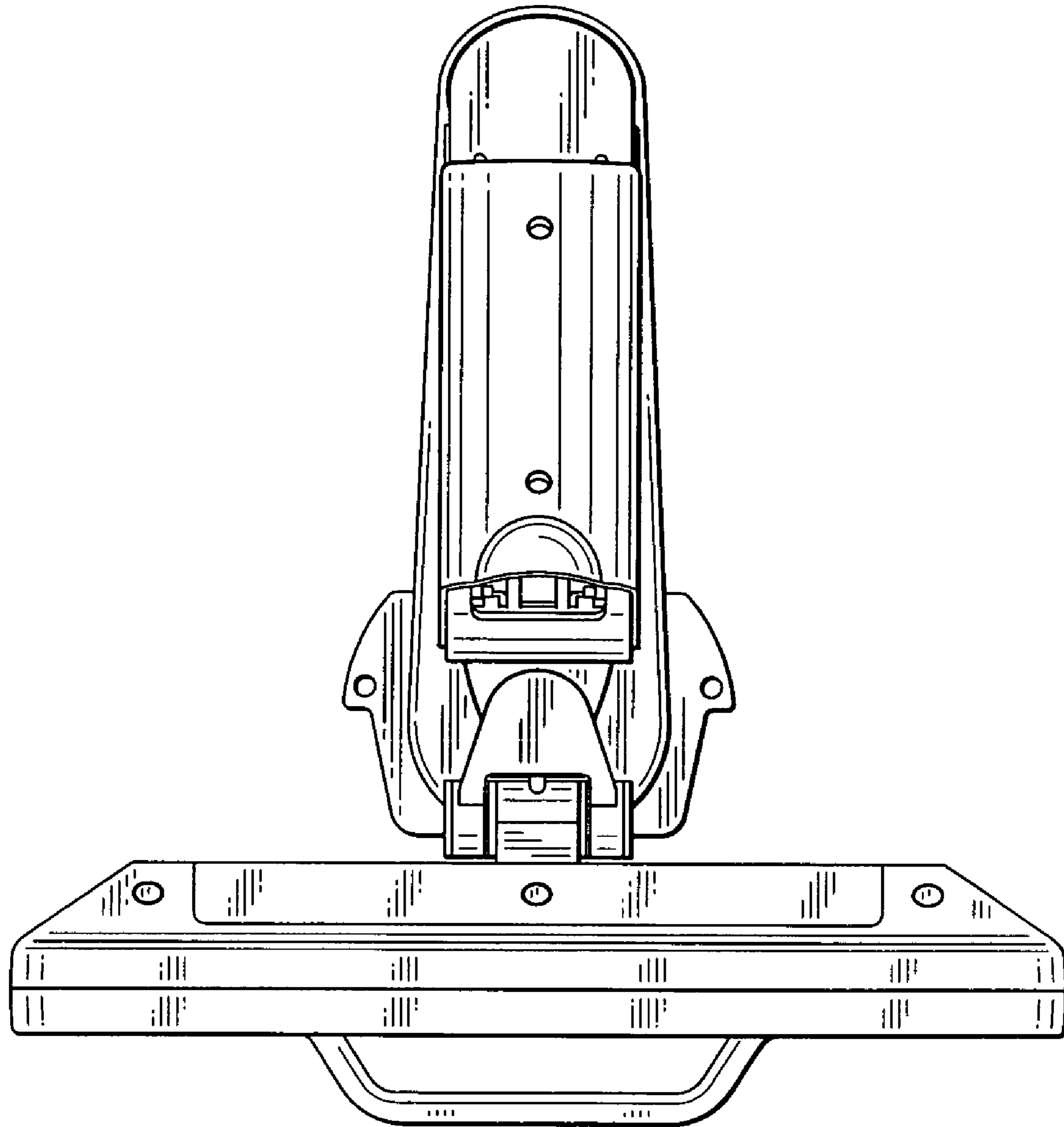


FIG. 4

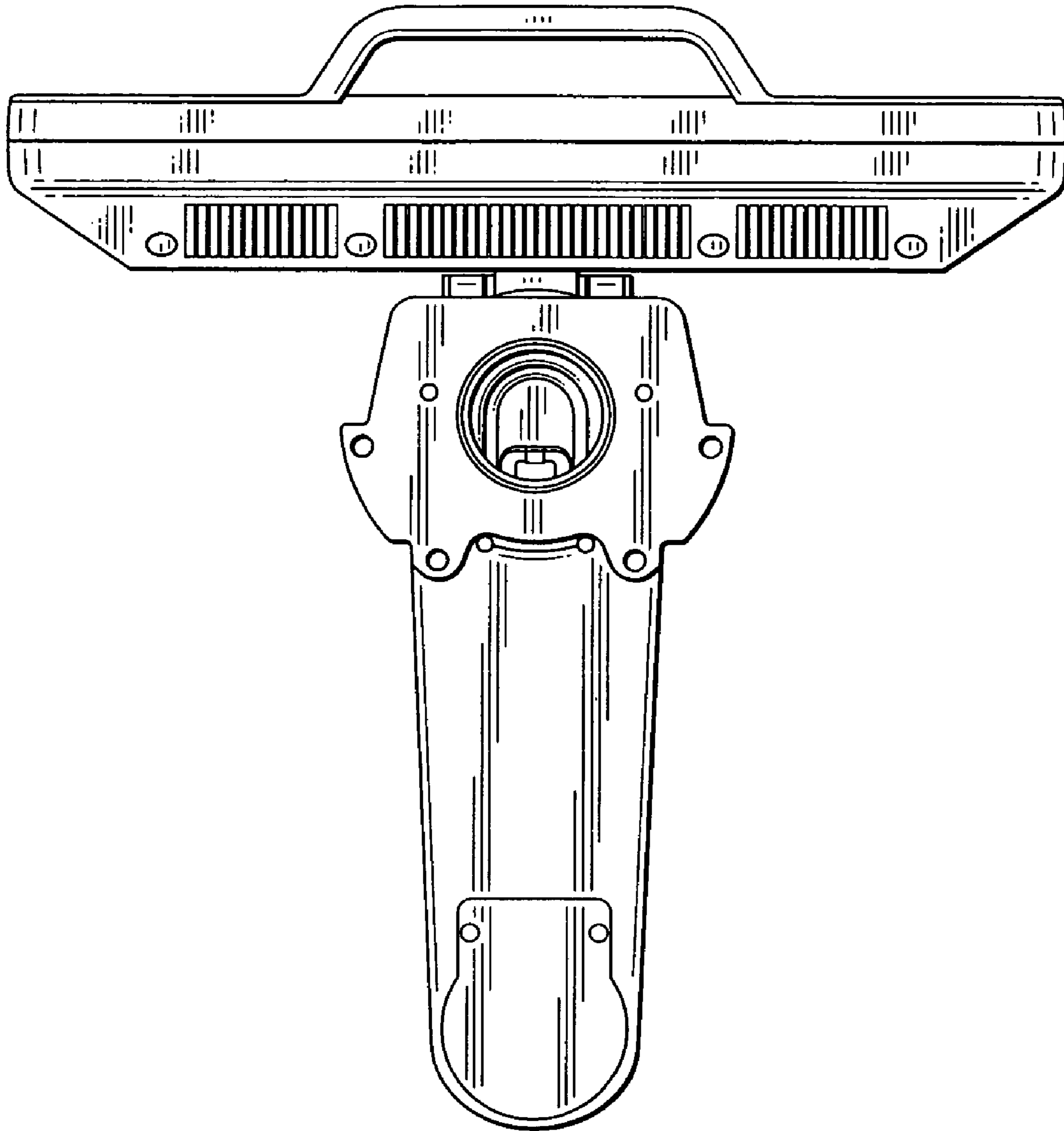


FIG. 5

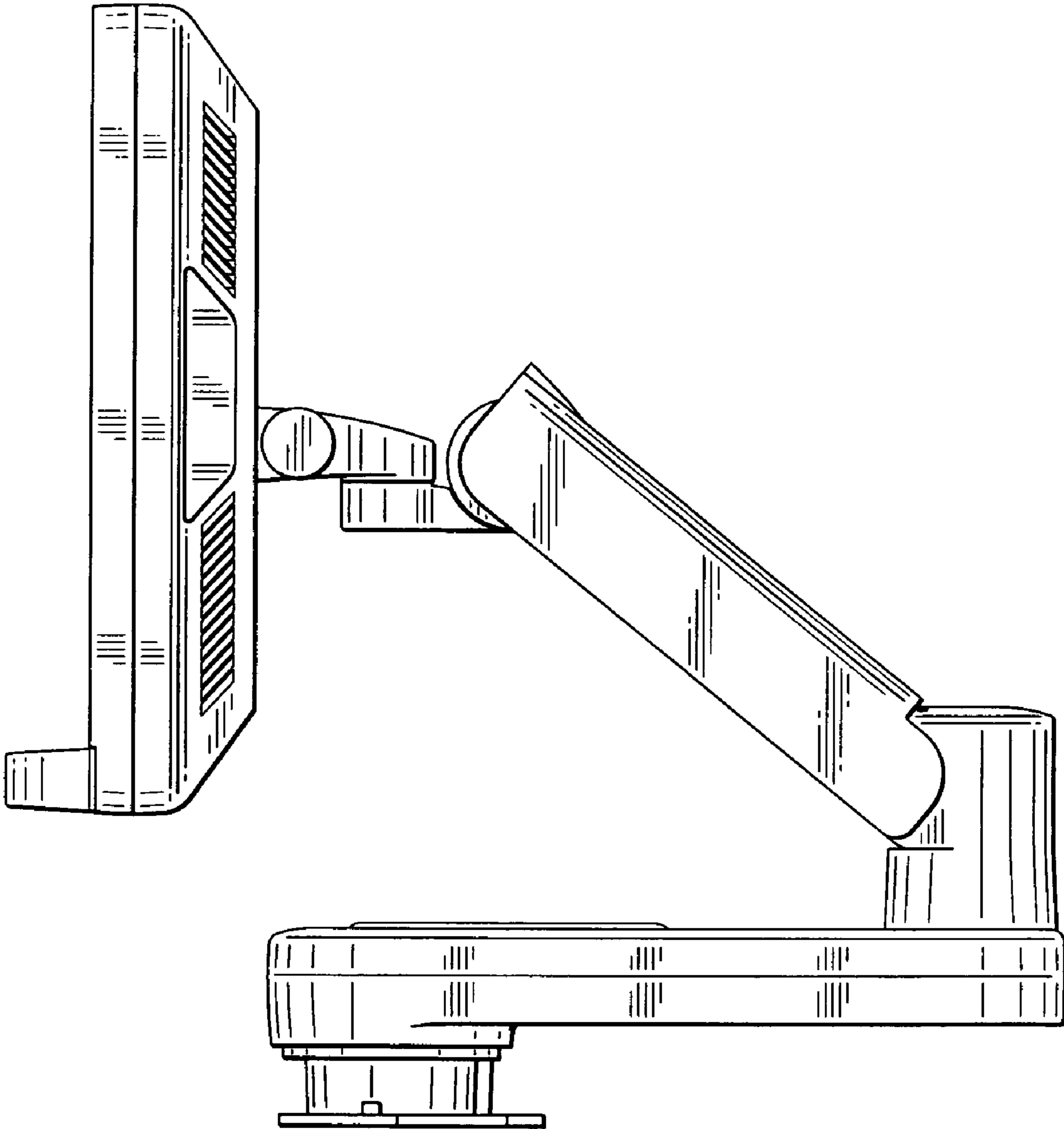


FIG. 6

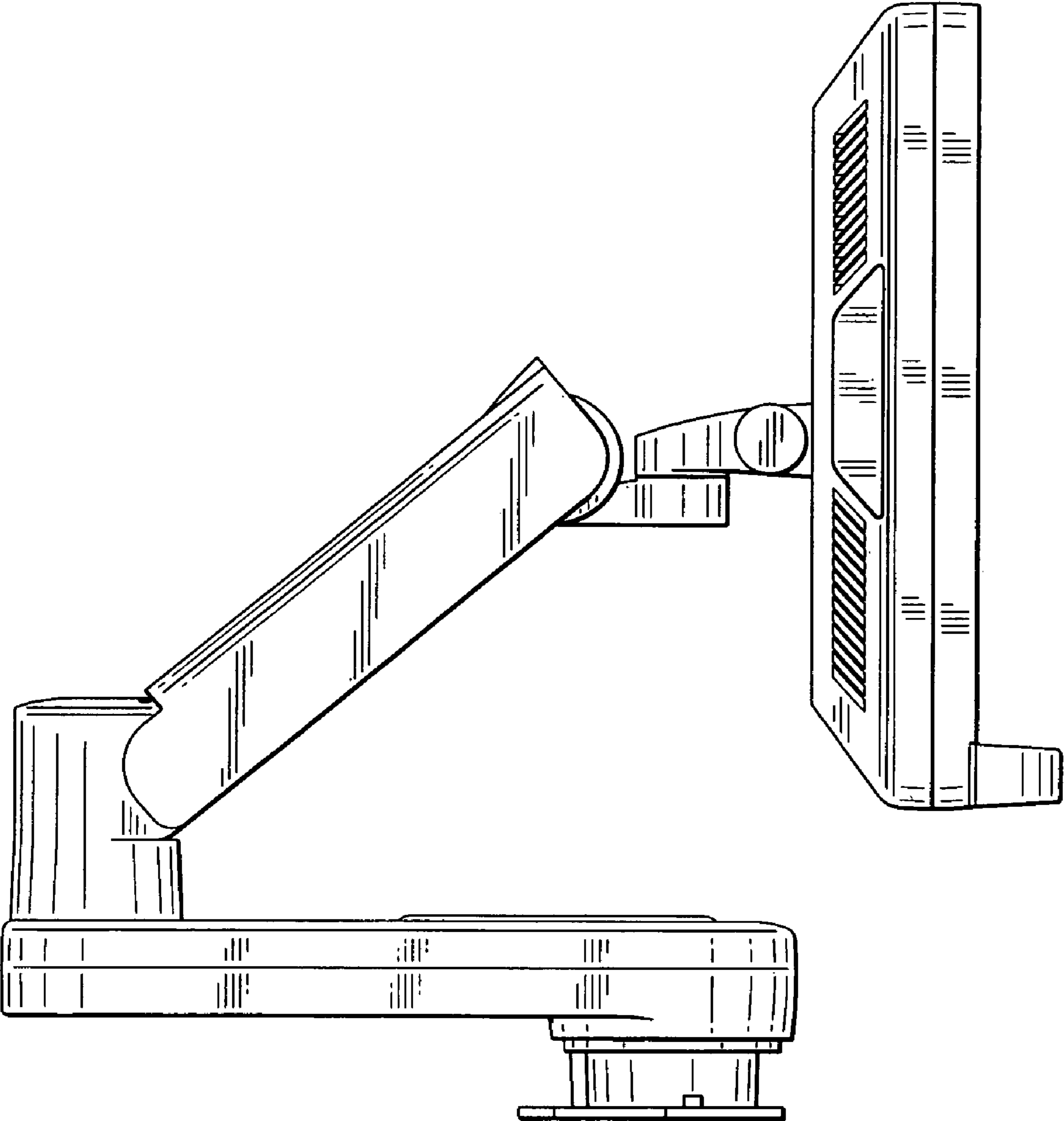


FIG. 7