

US00D546455S

(12) **United States Design Patent**  
**Darbut et al.**

(10) **Patent No.:** **US D546,455 S**  
(45) **Date of Patent:** **\*\* Jul. 10, 2007**

(54) **BEHIND THE EAR EARPIECE FOR A HEARING AID**

D484,983 S \* 1/2004 Nielsen ..... D24/174  
6,731,770 B1 \* 5/2004 Vonlanthen ..... 381/330

(75) Inventors: **Alexander L. Darbut**, Edina, MN (US); **Thomas Bruce Odegard**, Minneapolis, MN (US)

\* cited by examiner

*Primary Examiner*—Louis S. Zarfes

*Assistant Examiner*—Anhdao Doan

(73) Assignee: **Soundquest, Inc.**, Minneapolis, MN (US)

(74) *Attorney, Agent, or Firm*—Larkin Hoffman Daly & Lindgren Ltd.; Thomas J. Oppold Esq.

(\*\*) Term: **14 Years**

(57) **CLAIM**

(21) Appl. No.: **29/234,467**

The ornamental design for a behind the ear earpiece for a hearing aid, as shown and described.

(22) Filed: **Jul. 18, 2005**

**DESCRIPTION**

(51) **LOC (8) Cl.** ..... **24-99**

(52) **U.S. Cl.** ..... **D24/174**

(58) **Field of Classification Search** ..... D24/174,  
D24/173; 381/312, 23.1, 322–334, 380–382,  
381/315; 181/129, 130, 134, 135, 137; 128/864–868  
See application file for complete search history.

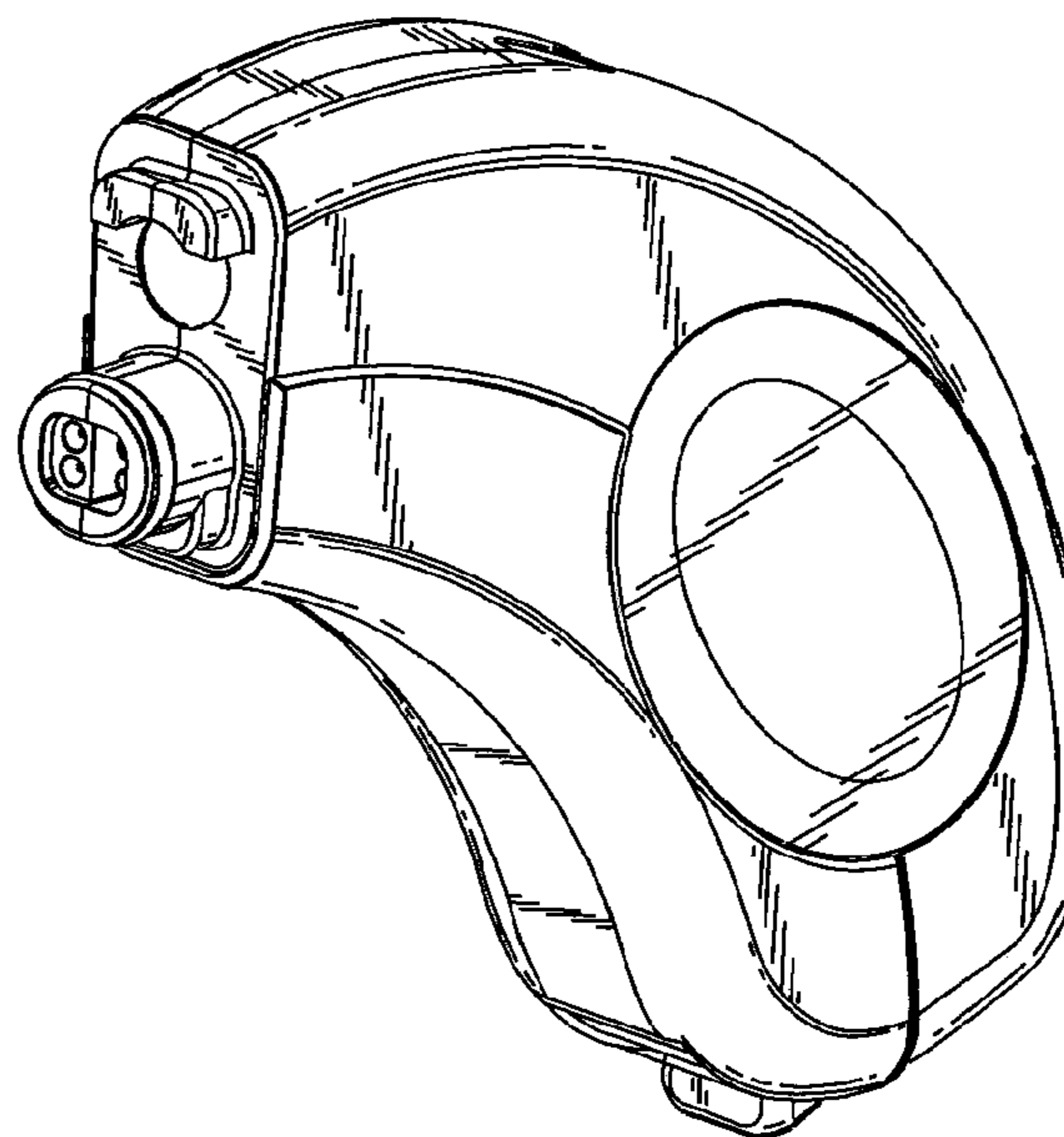
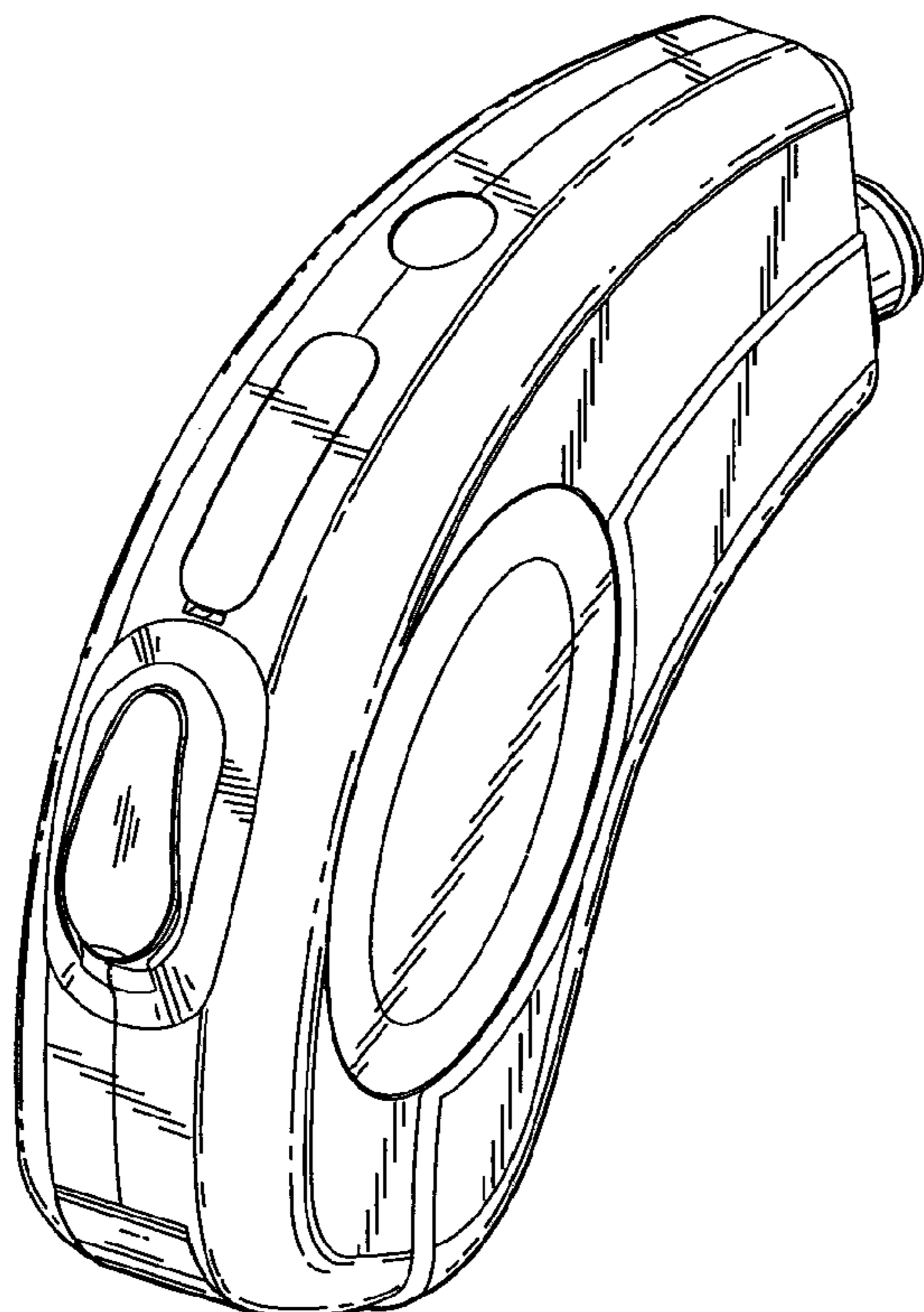
FIG. 1 is a front, left perspective view of a behind the ear earpiece for a hearing aid according to the present invention; FIG. 2 is a rear, right perspective view thereof; FIG. 3 is a right side view thereof; FIG. 4 is a left side view thereof; FIG. 5 is a rear side view thereof; FIG. 6 is a front side view thereof; FIG. 7 is a top plan view thereof; and, FIG. 8 is a bottom plan view thereof.

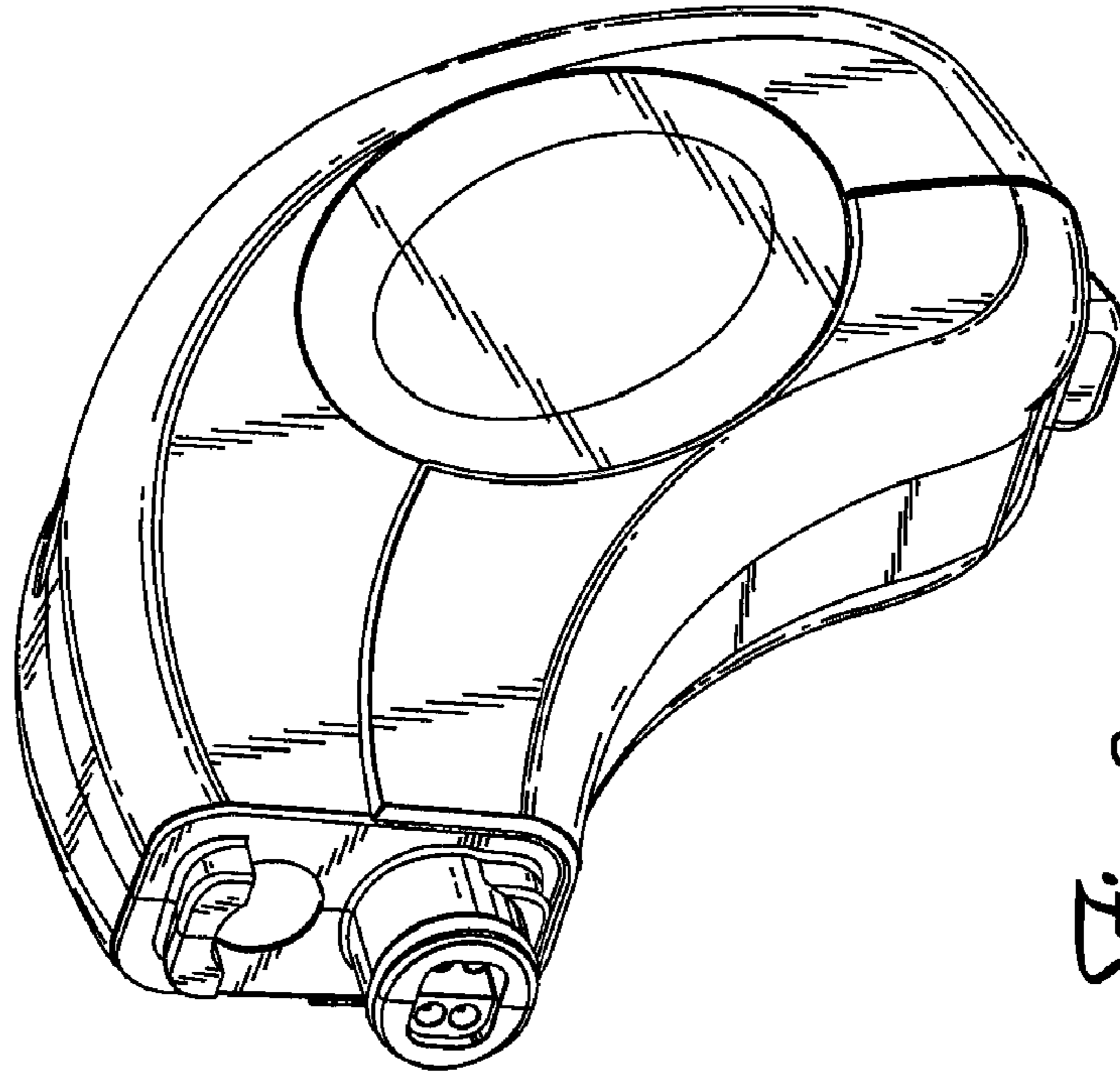
(56) **References Cited**

**U.S. PATENT DOCUMENTS**

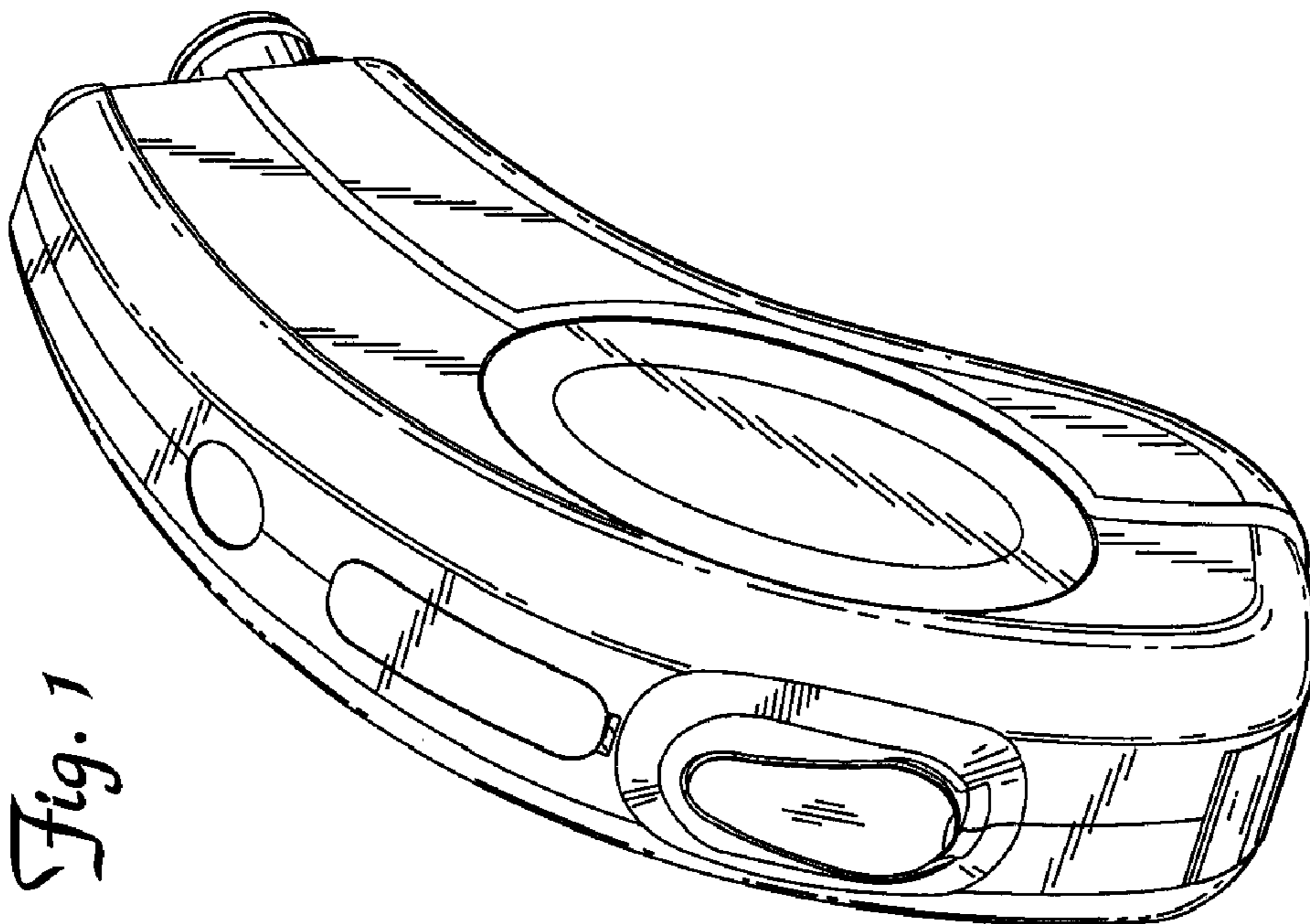
4,727,582 A \* 2/1988 de Vries et al. .... 381/330  
6,546,110 B1 \* 4/2003 Vonlanthen ..... 381/330  
6,549,634 B1 \* 4/2003 Vonlanthen ..... 381/322  
6,658,125 B1 \* 12/2003 Batting ..... 381/330

**1 Claim, 4 Drawing Sheets**

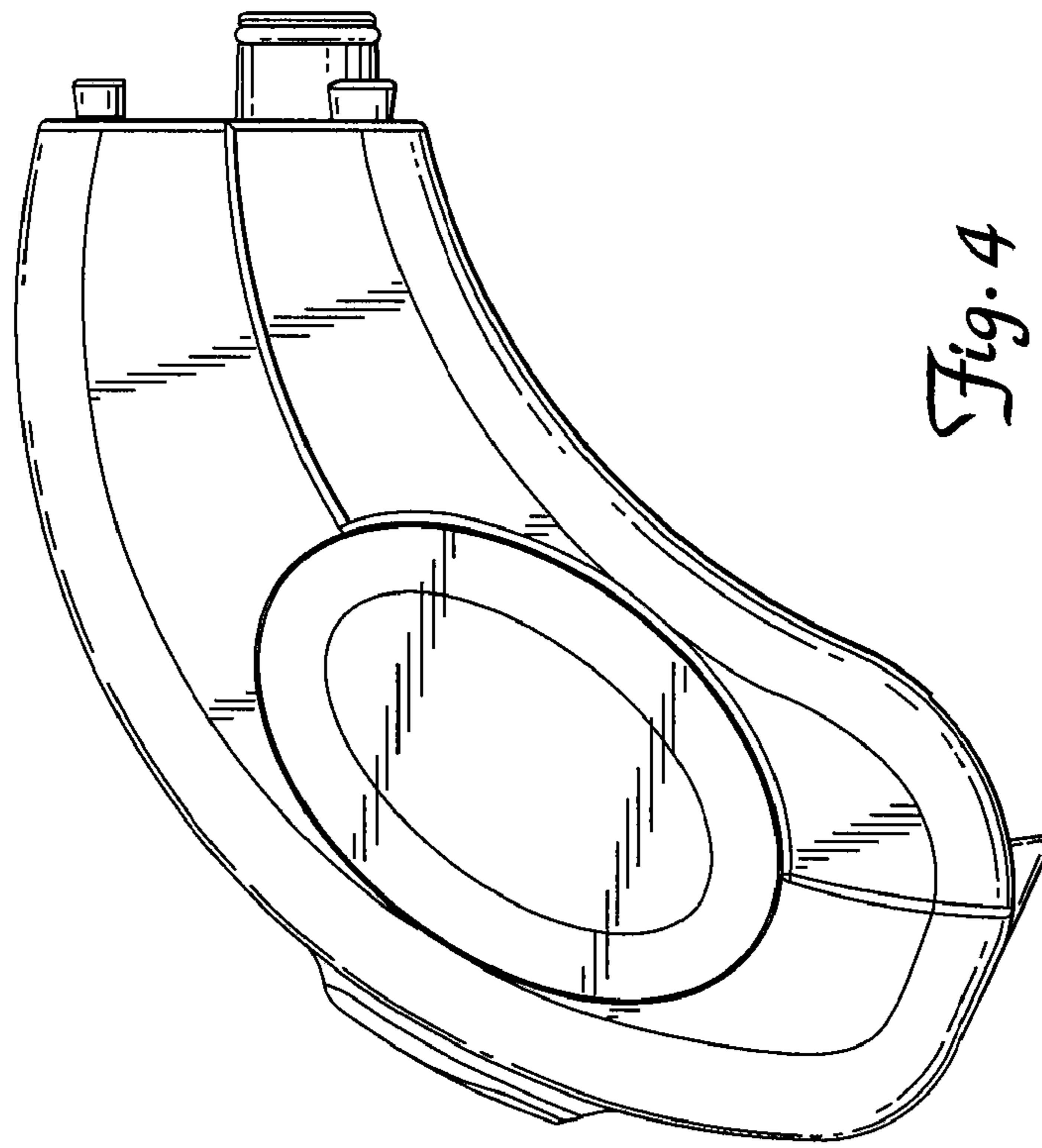




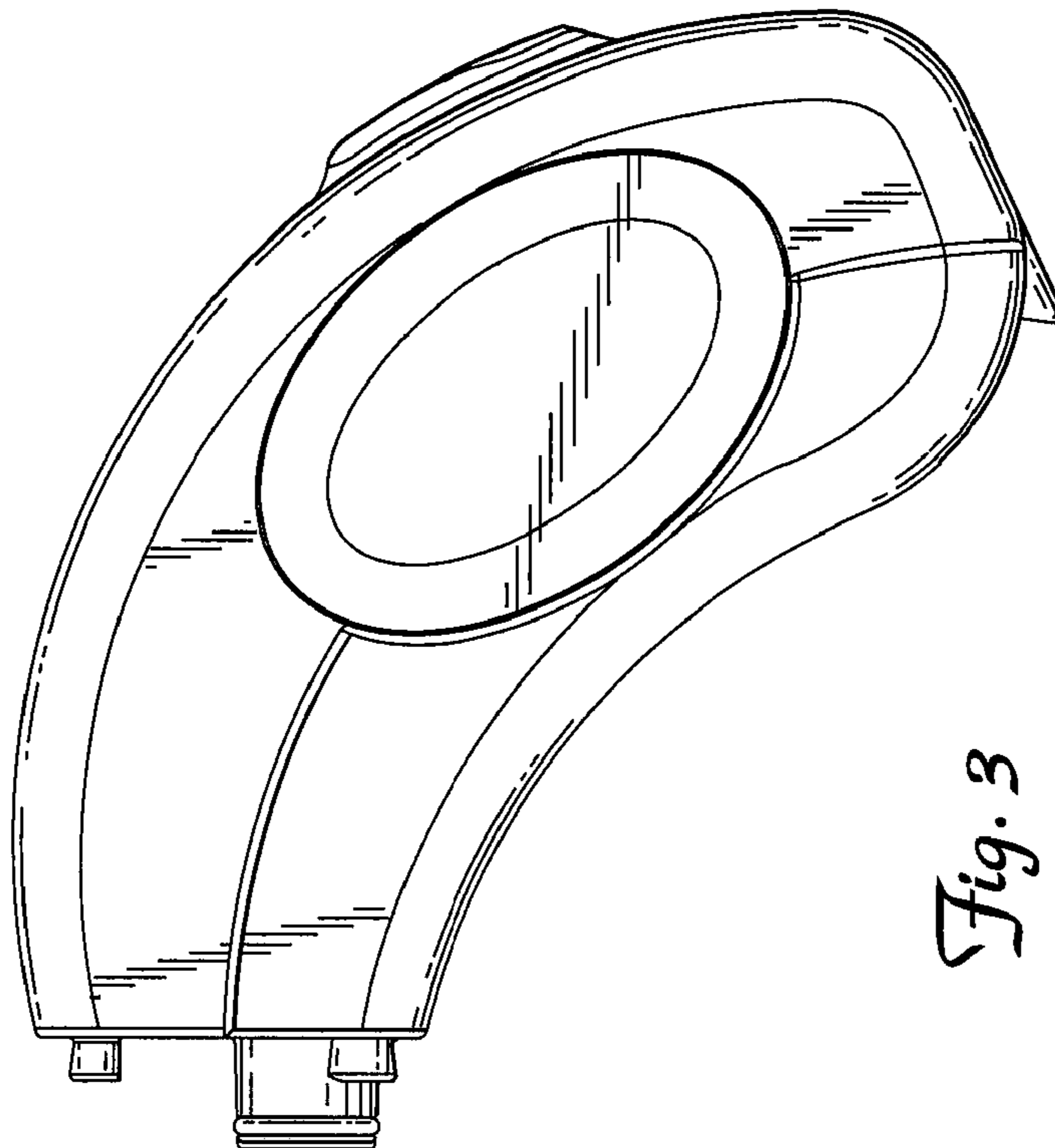
*Fig. 2*



*Fig. 1*

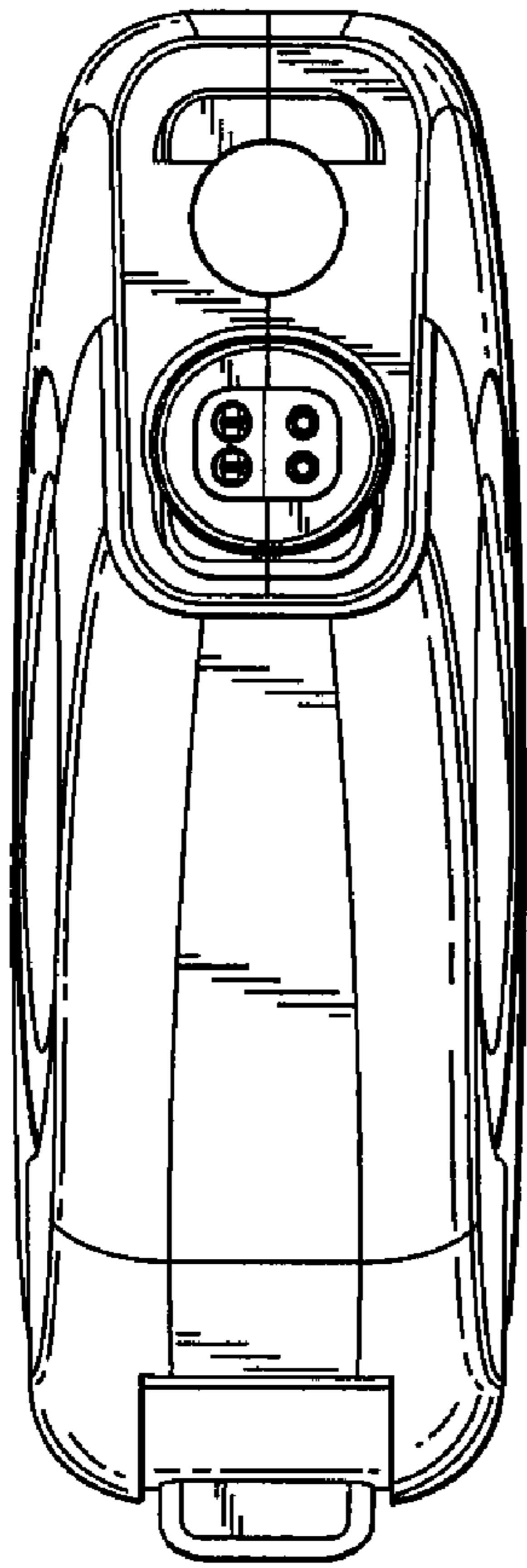


*Fig. 4*

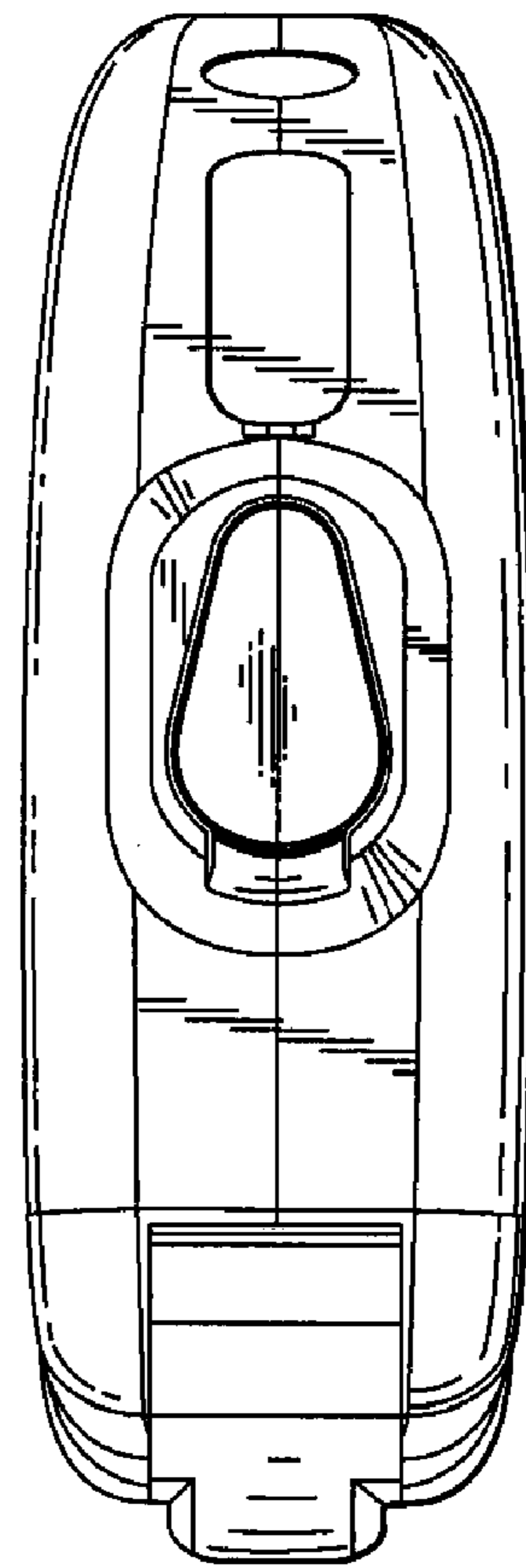


*Fig. 3*

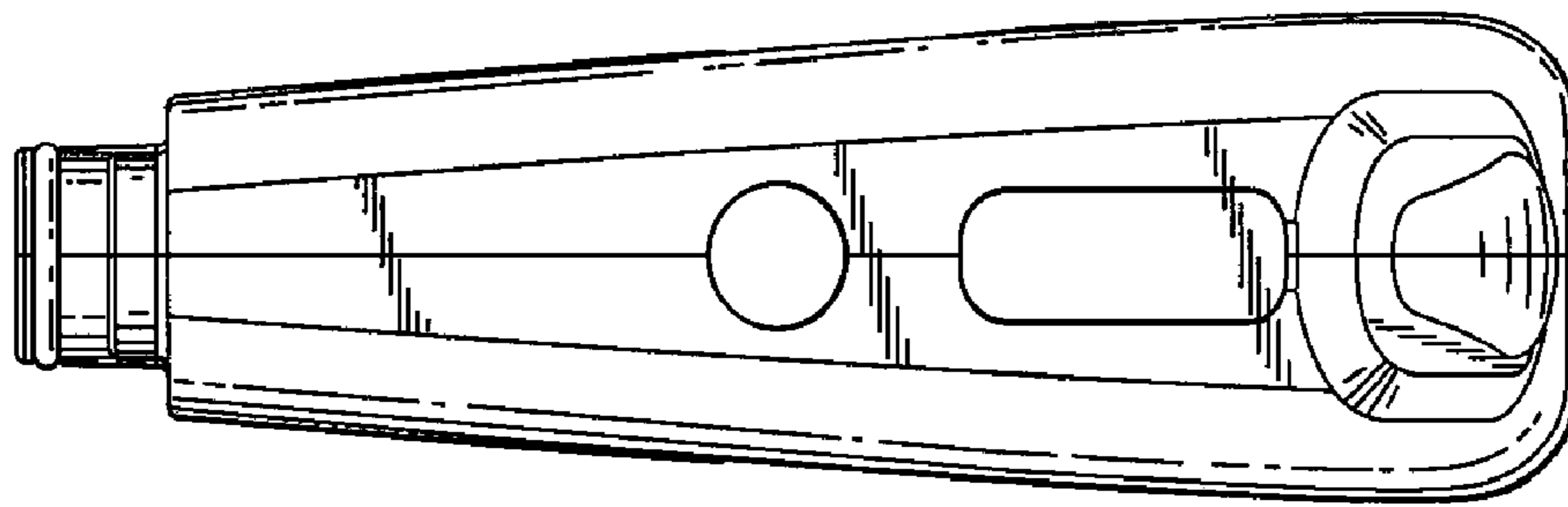
*Fig. 5*



*Fig. 6*



*Fig. 7*



*Fig. 8*

