



US00D546452S

(12) **United States Design Patent** (10) **Patent No.:** **US D546,452 S**  
**Gayheart et al.** (45) **Date of Patent:** **\*\* Jul. 10, 2007**

- (54) **EXCISION DEVICE** 5,346,497 A 9/1994 Simon et al.  
5,486,188 A 1/1996 Smith  
(75) Inventors: **Robert A. Gayheart**, Winchester, KY 5,649,922 A 7/1997 Yavitz  
(US); **Kanu M. Shukla**, deceased, late 5,938,674 A \* 8/1999 Terry ..... 606/166  
of Lexington, KY (US); by **Archana K. Johnson**, legal representative, 5,964,776 A 10/1999 Peyman  
Lexington, KY (US) 6,458,141 B1 10/2002 Peyman  
6,582,445 B1 6/2003 Koons  
6,602,266 B1 \* 8/2003 Loomas et al. .... 606/166  
6,632,232 B1 \* 10/2003 Loomas et al. .... 606/166  
(73) Assignee: **Krishna Imports, Incorporated**, 6,716,227 B2 \* 4/2004 Olivieri et al. .... 606/166  
Lexington, KY (US) D495,050 S \* 8/2004 Guala ..... D24/129  
2002/0013579 A1 1/2002 Silvestrini

(\*\*) Term: **14 Years**

FOREIGN PATENT DOCUMENTS

- (21) Appl. No.: **29/232,169** FR 2 693 368 1/1994  
(22) Filed: **Jun. 15, 2005** GB 2 242 835 10/1991  
SU 1535541 1/1990

- (51) **LOC (8) Cl.** ..... **24-02**  
(52) **U.S. Cl.** ..... **D24/150; D24/146**  
(58) **Field of Classification Search** ..... D24/146,  
D24/150, 157, 133; 606/166, 167, 170, 159,  
606/32; 435/6; 434/273, 262, 267; 33/669  
See application file for complete search history.

\* cited by examiner

*Primary Examiner*—Ian Simmons  
*Assistant Examiner*—Christopher Lee  
(74) *Attorney, Agent, or Firm*—King & Schickli, PLLC

(57) **CLAIM**

The ornamental design of an excision device, as shown and described.

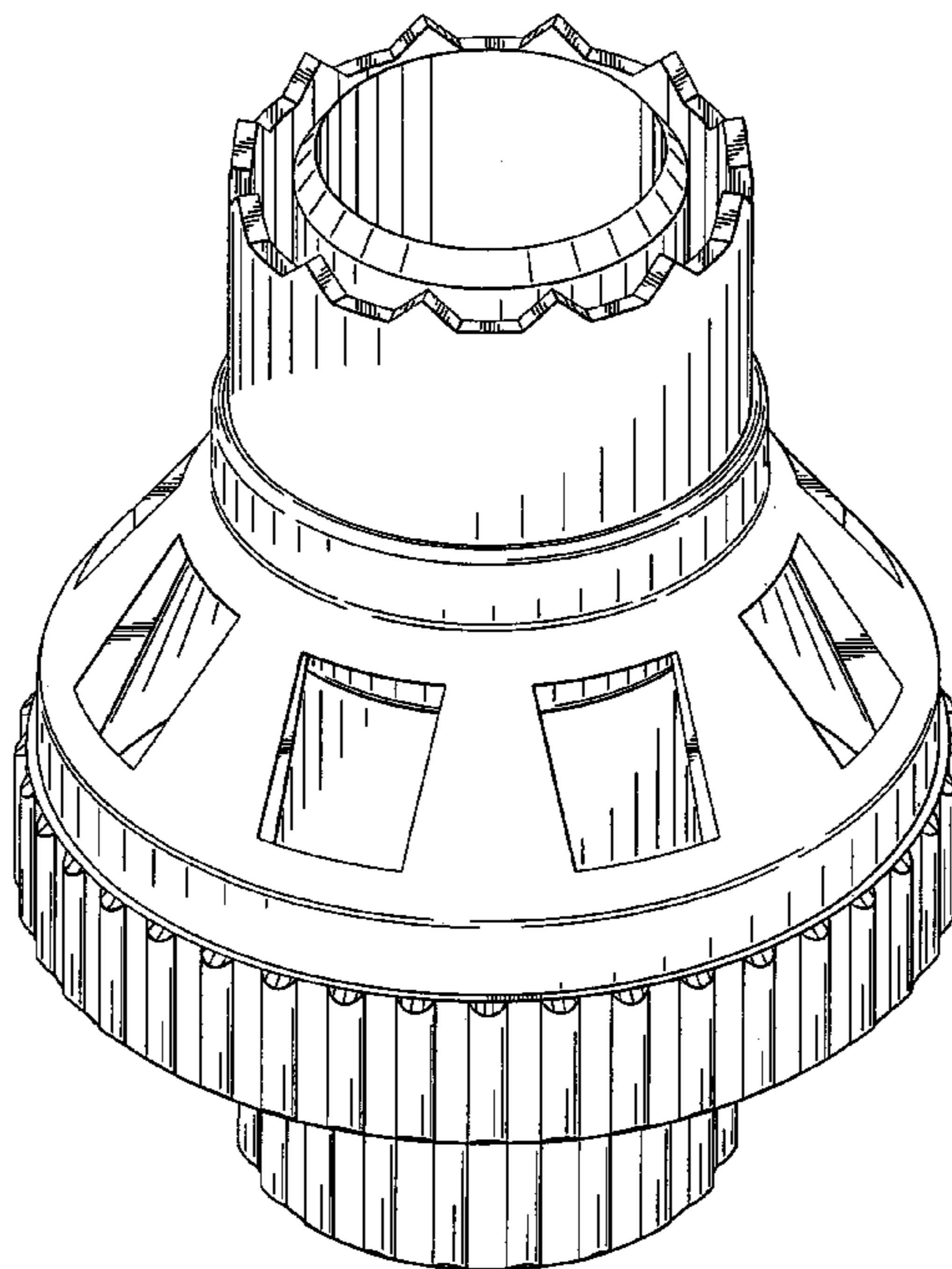
(56) **References Cited**  
U.S. PATENT DOCUMENTS

- 164,667 A 6/1875 Winslow  
2,473,968 A 6/1949 Paton  
4,205,682 A 6/1980 Crock et al.  
4,417,579 A 11/1983 Soloviev et al.  
4,515,157 A 5/1985 Fedorov et al.  
4,705,035 A 11/1987 Givens  
4,739,761 A 4/1988 Grandon  
4,844,060 A 7/1989 Krumeich  
4,961,744 A 10/1990 Kilmer et al.  
5,063,942 A 11/1991 Kilmer et al.  
5,290,301 A 3/1994 Lieberman

**DESCRIPTION**

FIG. 1 is a perspective view of the excision device of the present invention;  
FIG. 2 is a side elevation view of the device of FIG. 1;  
FIG. 3 is a top plan view of the device of FIG. 1; and,  
FIG. 4 is a bottom plan view of the device of FIG. 1.

**1 Claim, 4 Drawing Sheets**



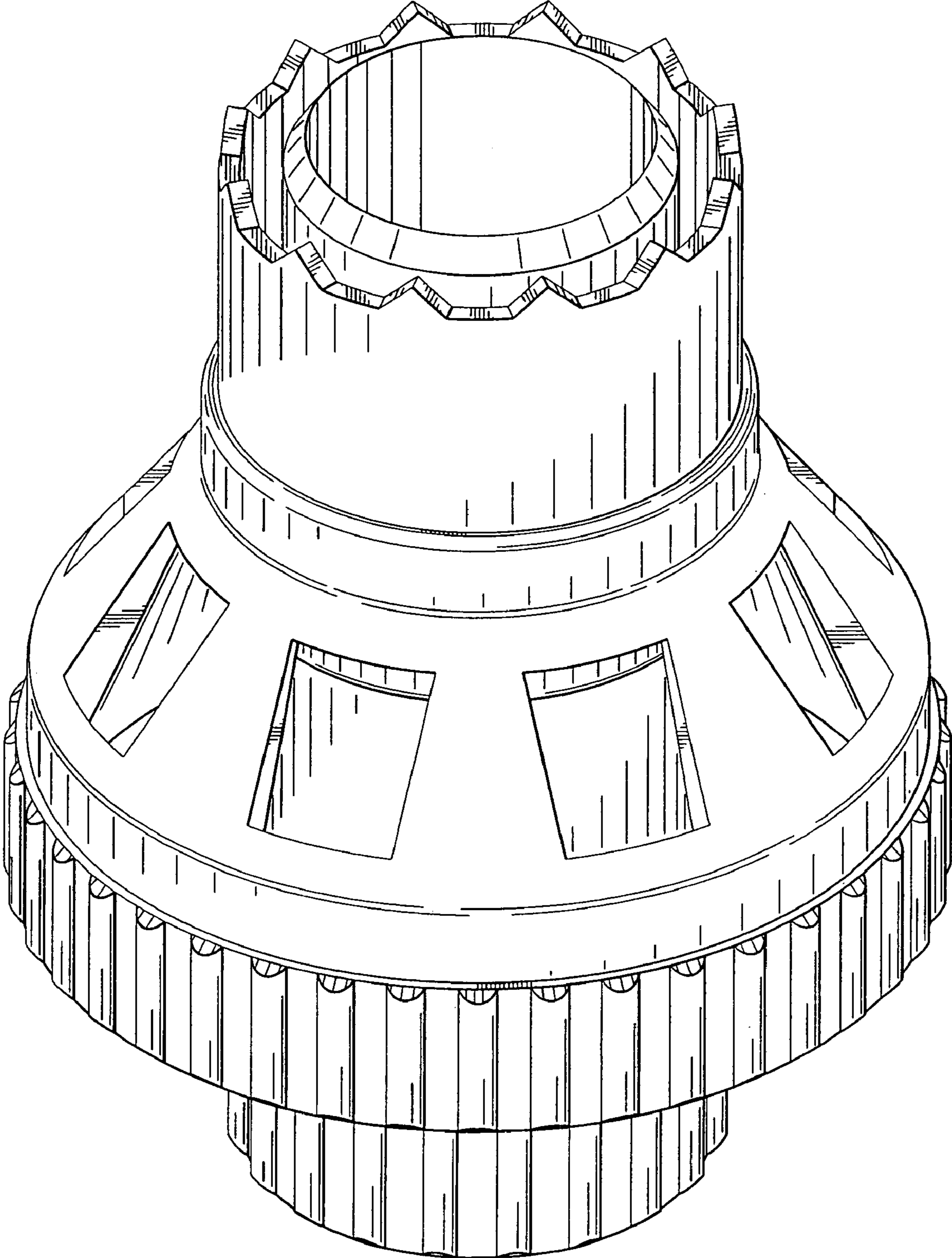


FIG. I

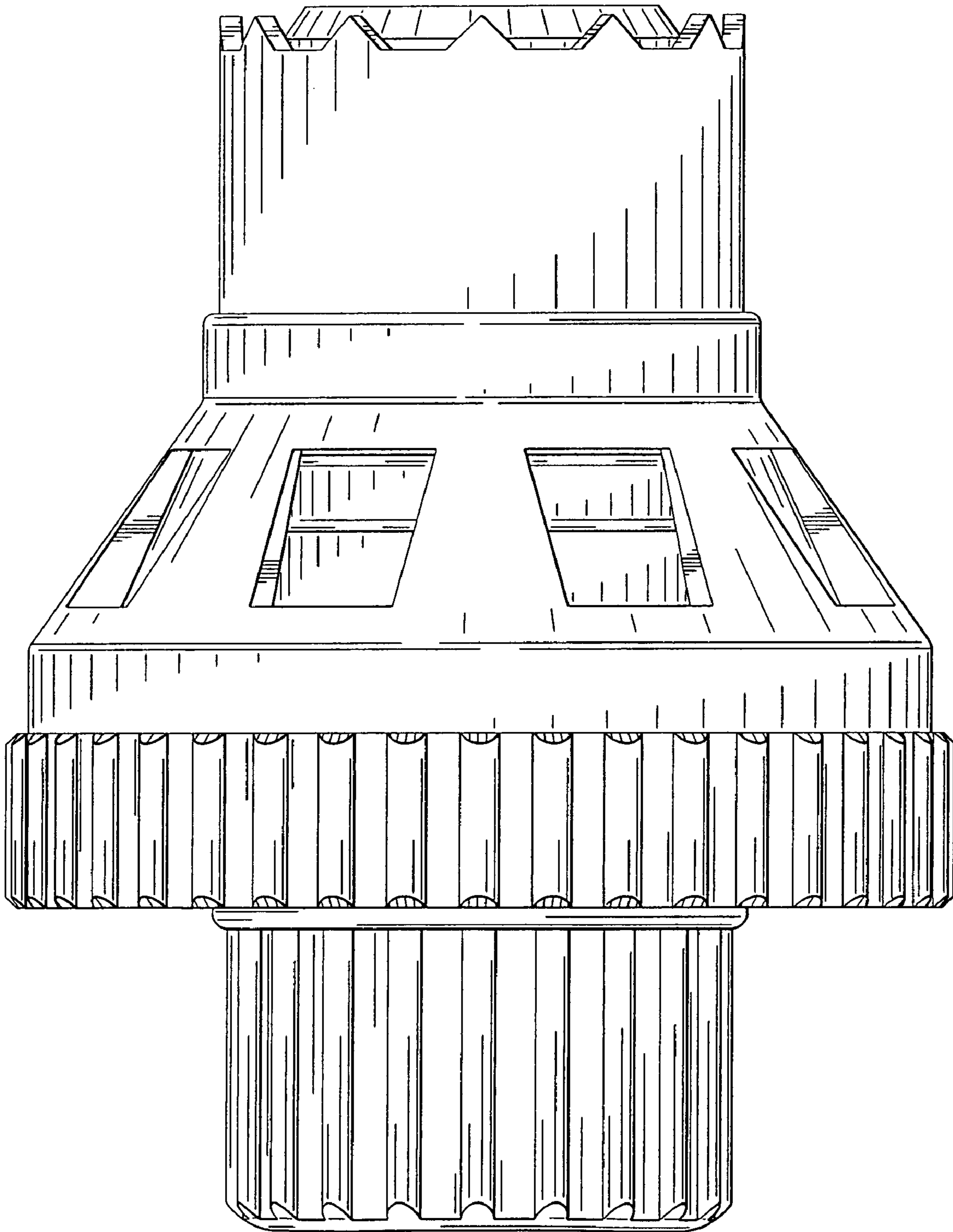


FIG. 2

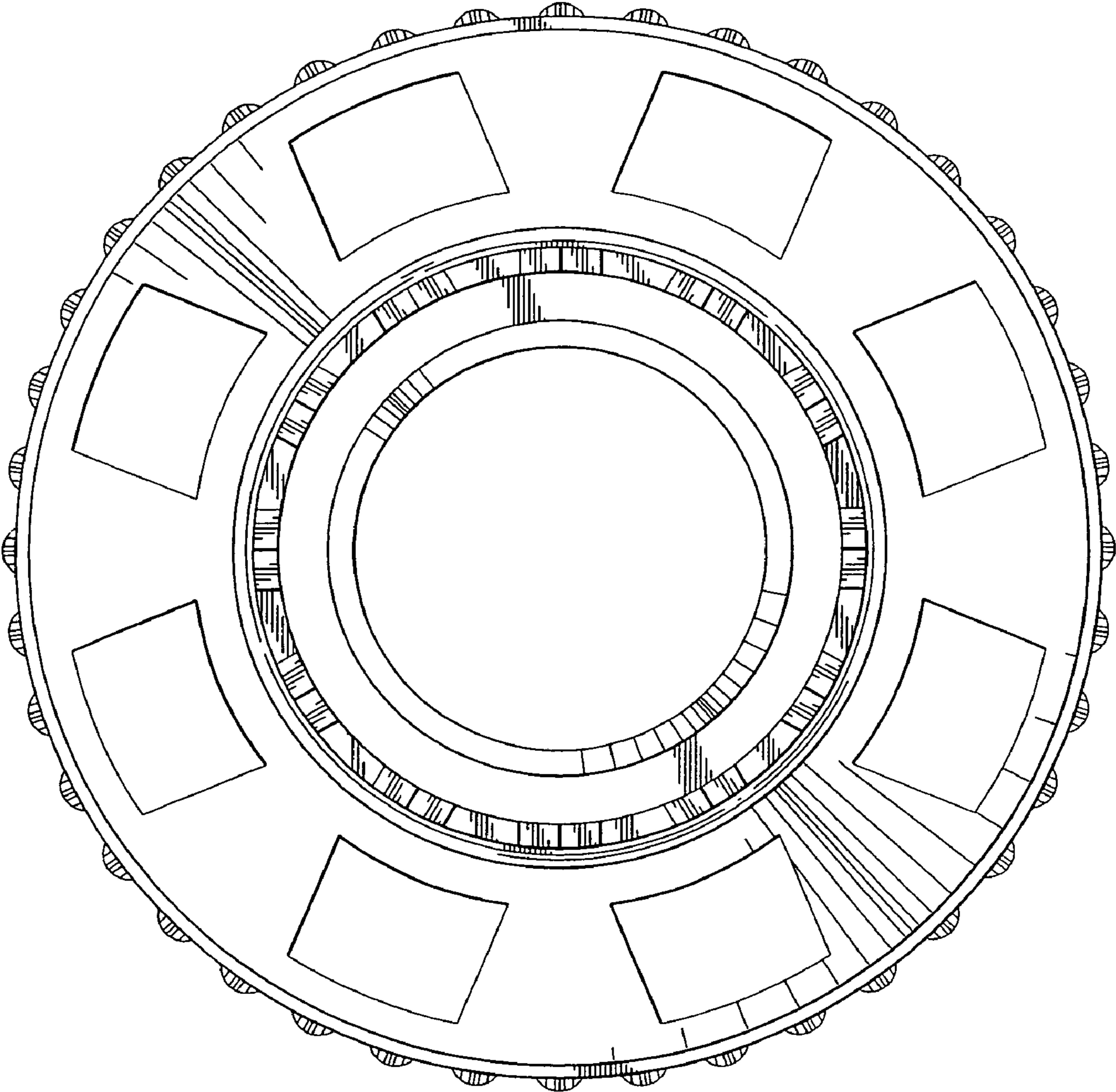


FIG. 3

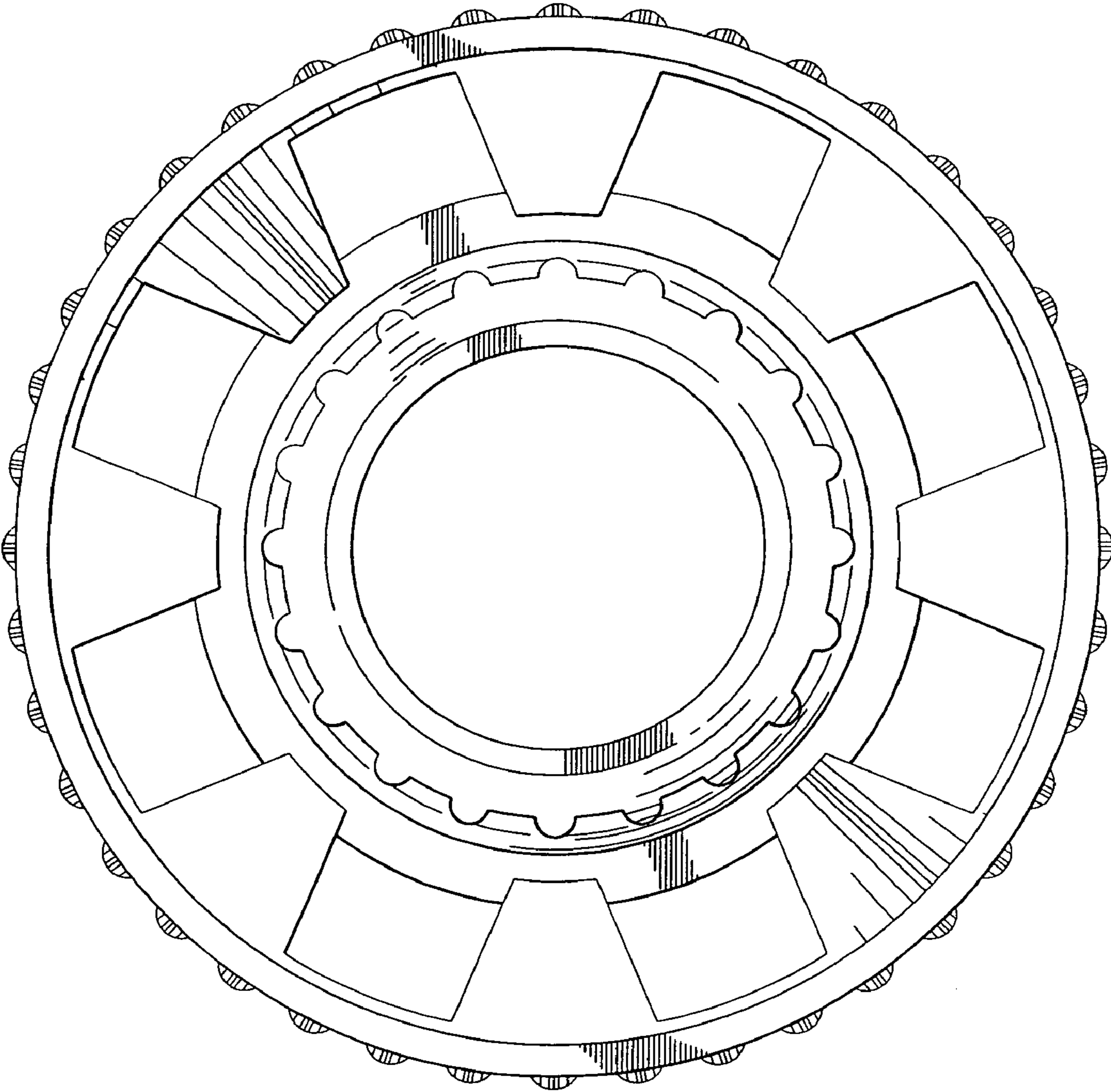


FIG. 4