

US00D546450S

(12) **United States Design Patent**
Wolf

(10) **Patent No.:** **US D546,450 S**

(45) **Date of Patent:** **** Jul. 10, 2007**

(54) **TROCAR FOR USE WITH MORCELLATOR**

6,638,238 B1 10/2003 Weber et al. 606/22

(75) Inventor: **Theo Wolf**, Senden (DE)

(73) Assignee: **Karl Storz GmbH & Co. KG** (DE)

(**) Term: **14 Years**

(21) Appl. No.: **29/225,233**

(22) Filed: **Mar. 14, 2005**

(30) **Foreign Application Priority Data**

Sep. 14, 2004 (EM) 000227202

(51) **LOC (8) Cl.** **24-02**

(52) **U.S. Cl.** **D24/146; D24/108; D24/130;**
D24/147

(58) **Field of Classification Search** **D24/146,**
D24/147, 133, 140, 130, 112, 114, 108; 606/167,
606/170, 46, 184, 180; 600/566, 567, 568
See application file for complete search history.

(56) **References Cited**

U.S. PATENT DOCUMENTS

5,123,904 A	6/1992	Shimomura et al.	604/22
5,368,607 A *	11/1994	Freitas	600/567
5,618,296 A	4/1997	Sorensen et al.	606/180
5,879,358 A *	3/1999	Semm	606/180
6,039,748 A *	3/2000	Savage et al.	606/180
6,572,632 B2 *	6/2003	Zisterer et al.	606/170

FOREIGN PATENT DOCUMENTS

DE	199 16 144 A1	3/2000
EP	0 555 803 B1	2/1993
EP	0 806 183 A1	5/1997
WO	02/083006 A2	10/2002

* cited by examiner

Primary Examiner—Ian Simmons

Assistant Examiner—W. Laymon

(74) *Attorney, Agent, or Firm*—St. Onge Steward Johnston & Reens LLC

(57) **CLAIM**

The ornamental design for a trocar for use with morcellator, as shown and described.

DESCRIPTION

FIG. 1 is a front perspective view of the trocar for use with morcellator in accordance with the new design;

FIG. 2 is a right side perspective view thereof;

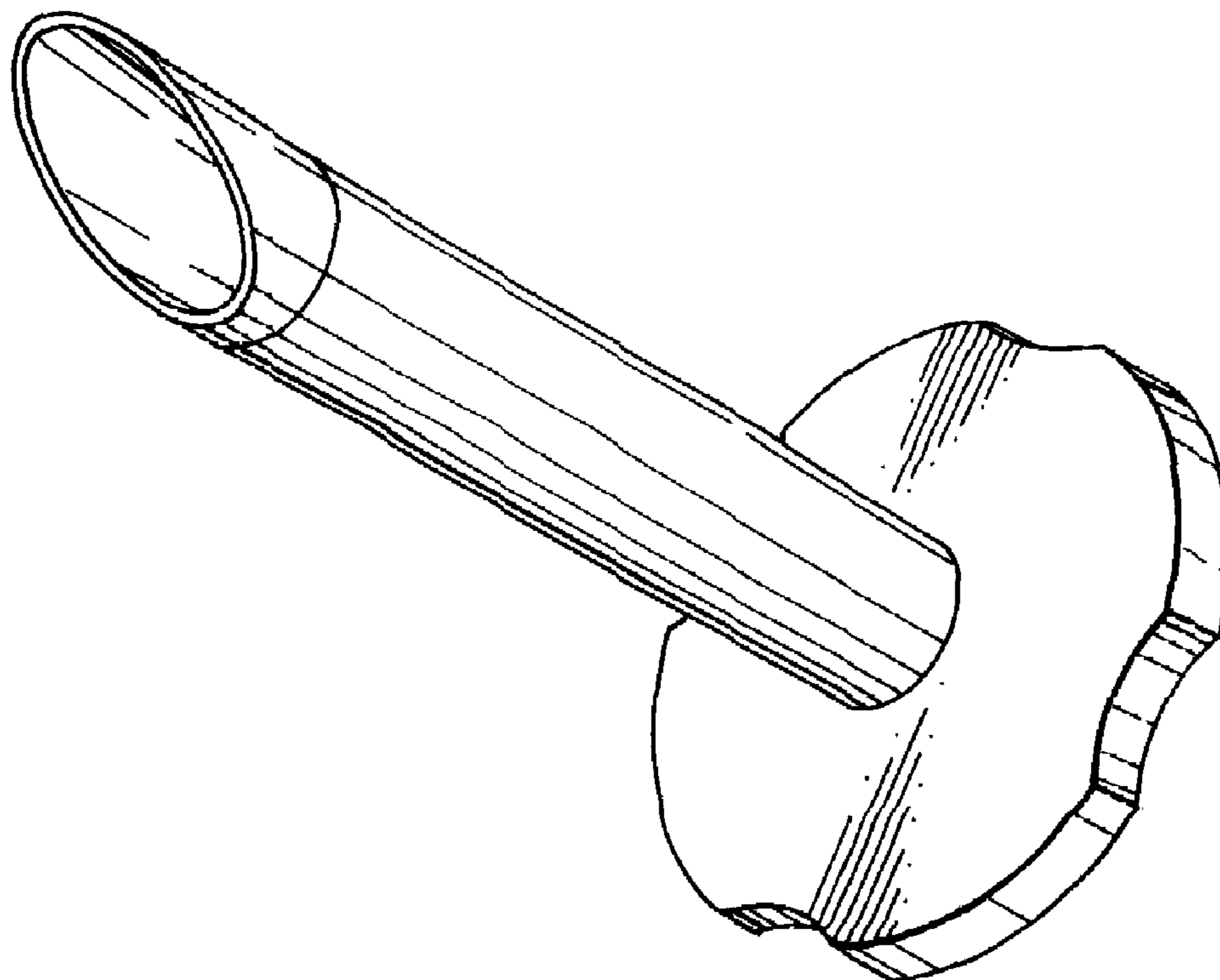
FIG. 3 is a left side perspective view thereof;

FIG. 4 is a bottom perspective view thereof; and,

FIG. 5 is a front perspective view thereof.

The broken line showing of the trocar is included for the purpose of illustrating environmental structure and forms no part of the claimed design.

1 Claim, 4 Drawing Sheets



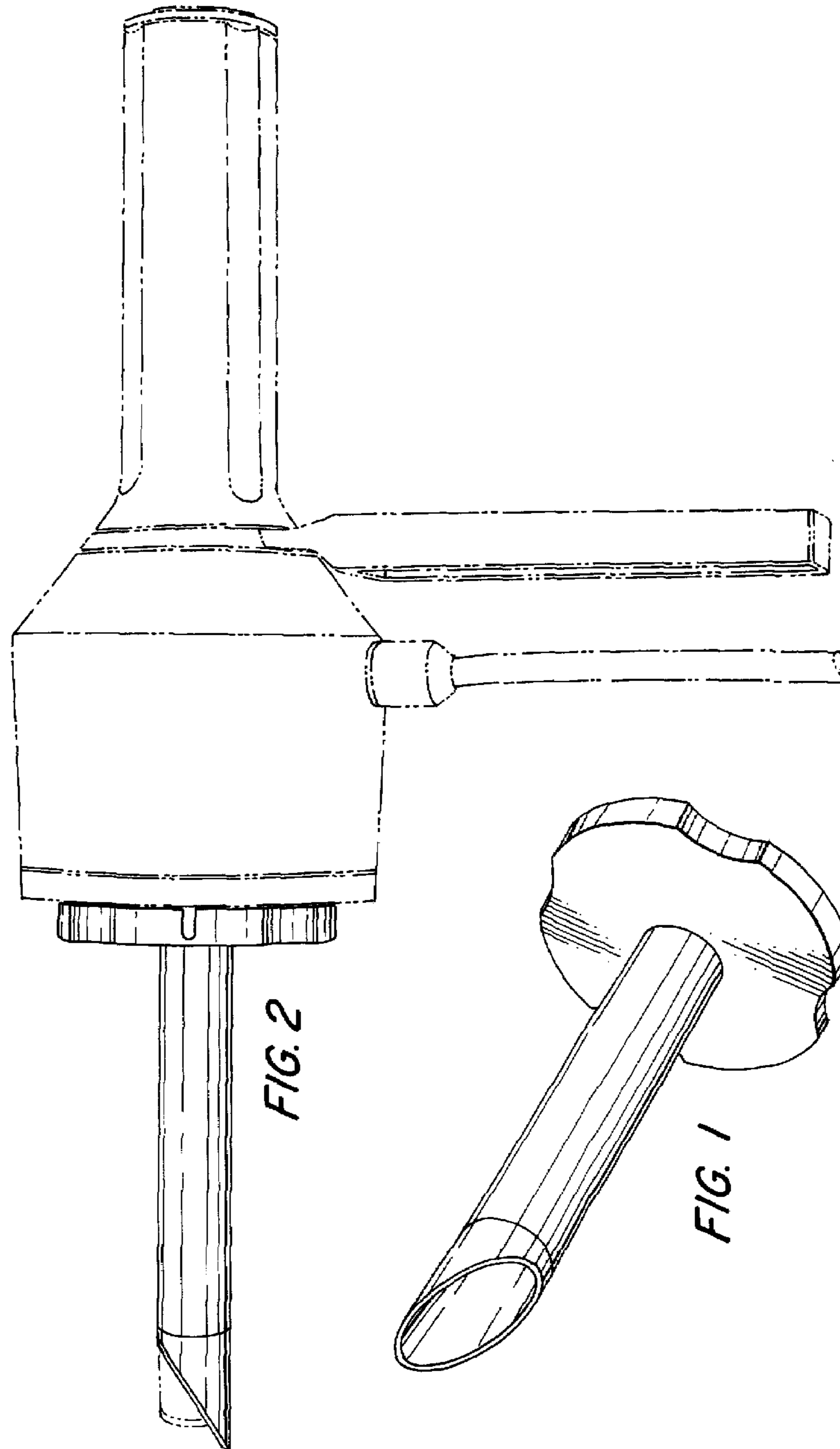
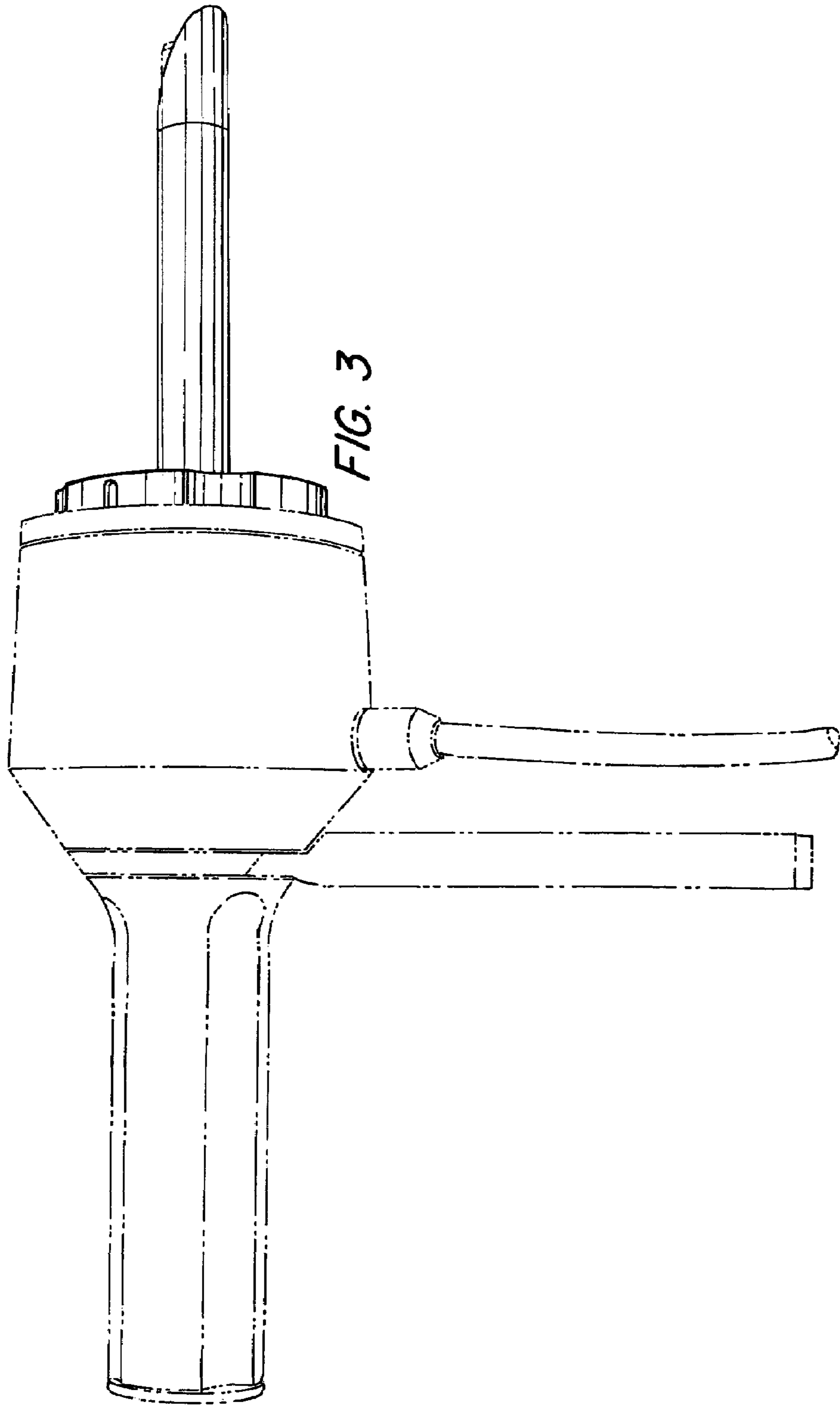


FIG. 2

FIG. 1



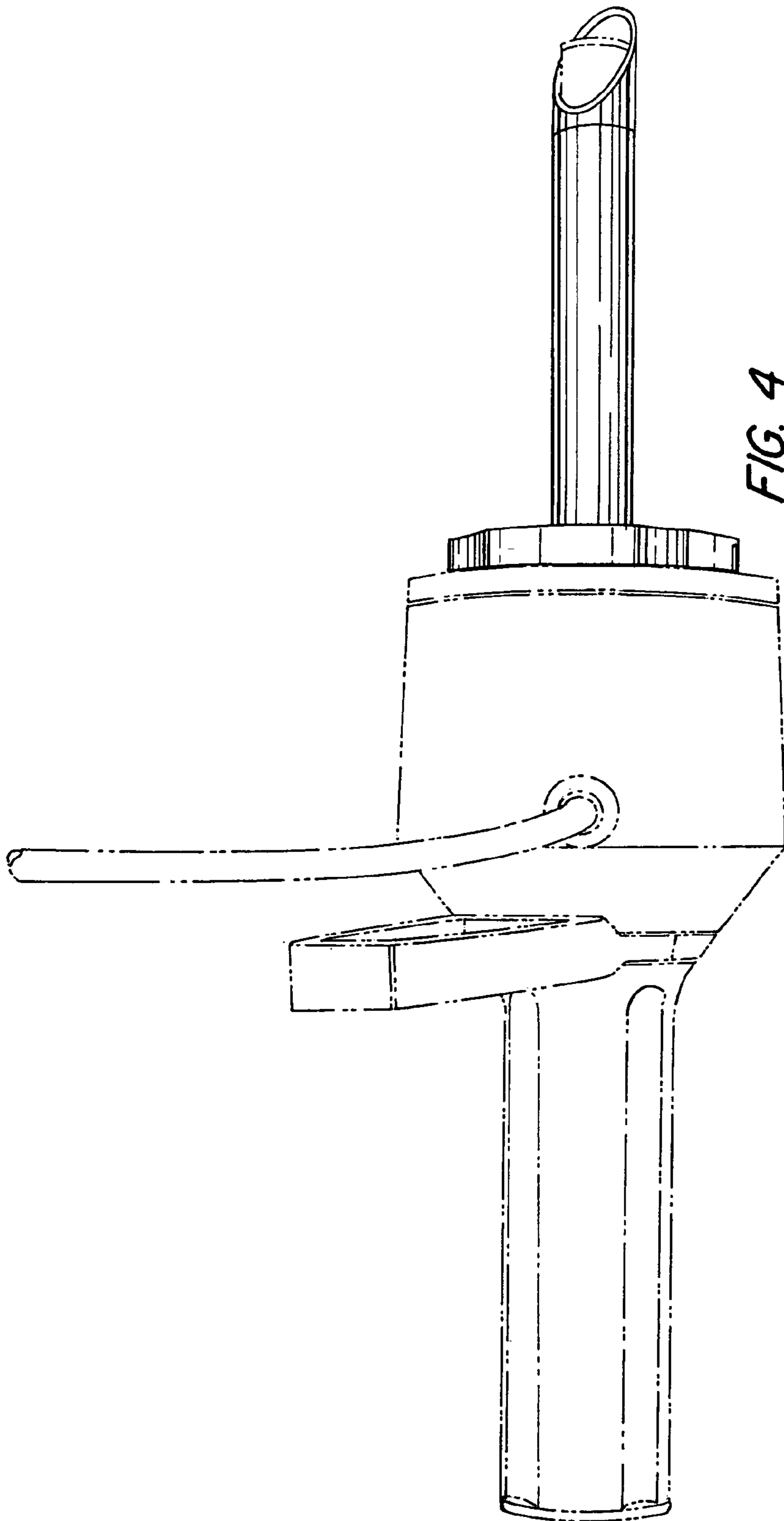


FIG. 4

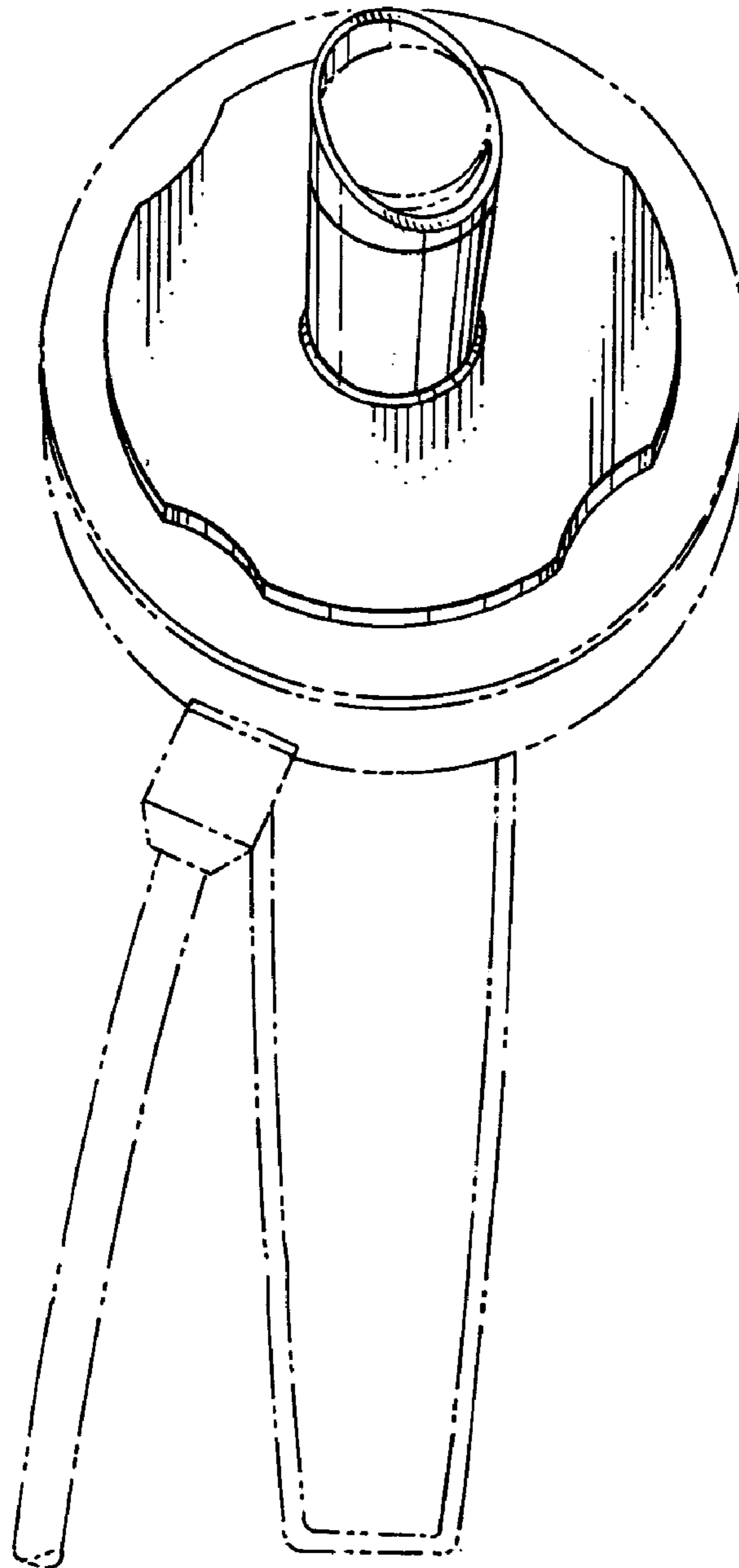


FIG. 5