

US00D546448S

(12) **United States Design Patent**
Oi

(10) **Patent No.:** **US D546,448 S**

(45) **Date of Patent:** **** Jul. 10, 2007**

(54) **HANDLE FOR A MEDICAL INSTRUMENT**

D353,886 S * 12/1994 Bales et al. D24/108

(75) Inventor: **Shizuo Oi**, Hyogo (JP)

(73) Assignee: **Karl Storz GmbH & Co. KG** (DE)

* cited by examiner

(**) Term: **14 Years**

Primary Examiner—Ian Simmons

Assistant Examiner—Christopher Lee

(21) Appl. No.: **29/267,349**

(74) *Attorney, Agent, or Firm*—St. Onge Steward Johnston & Reens LLC

(22) Filed: **Oct. 12, 2006**

Related U.S. Application Data

(62) Division of application No. 29/225,109, filed on Mar. 11, 2005, now Pat. No. Des. 538,931.

Foreign Application Priority Data

Sep. 14, 2004 (EM) 000227210

(51) **LOC (8) Cl.** **24-02**

(52) **U.S. Cl.** **D24/138; D24/133**

(58) **Field of Classification Search** D24/138,
D24/133, 128, 145, 146, 147; D8/300, 302,
D8/303; 600/127, 128, 129, 104, 106, 107;
606/46

See application file for complete search history.

References Cited

U.S. PATENT DOCUMENTS

D319,104 S * 8/1991 Grossi et al. D24/138

(57) **CLAIM**

The ornamental design for a handle for a medical instrument, as shown and described.

DESCRIPTION

FIG. 1 is a right side view of a handle for a medical instrument in accordance with the new design;

FIG. 2 is a left side view thereof;

FIG. 3 is a rear view thereof;

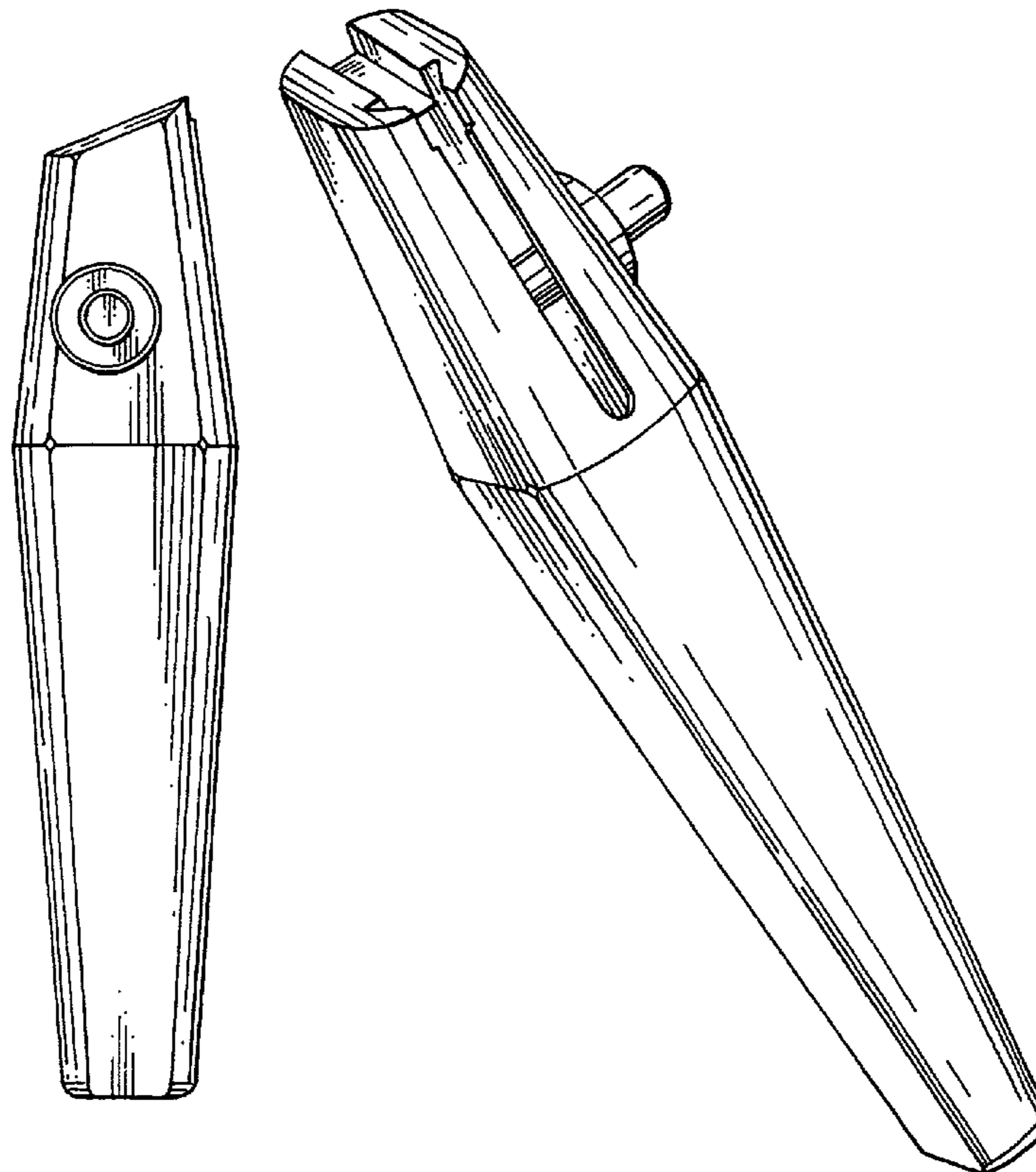
FIG. 4 is a front view thereof;

FIG. 5 is a top plan view thereof;

FIG. 6 is a bottom plan view thereof; and,

FIG. 7 is a rear perspective view thereof.

1 Claim, 2 Drawing Sheets



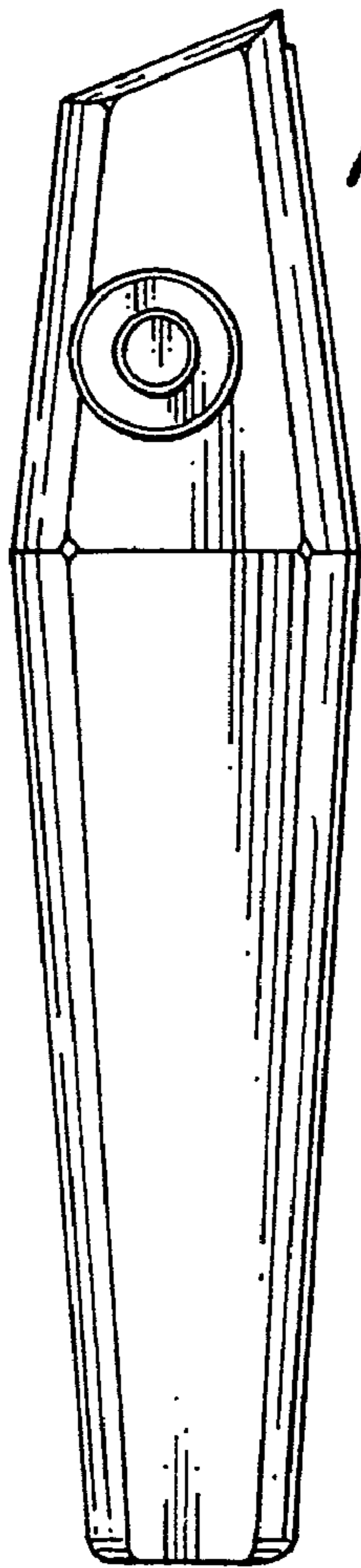


FIG. 1

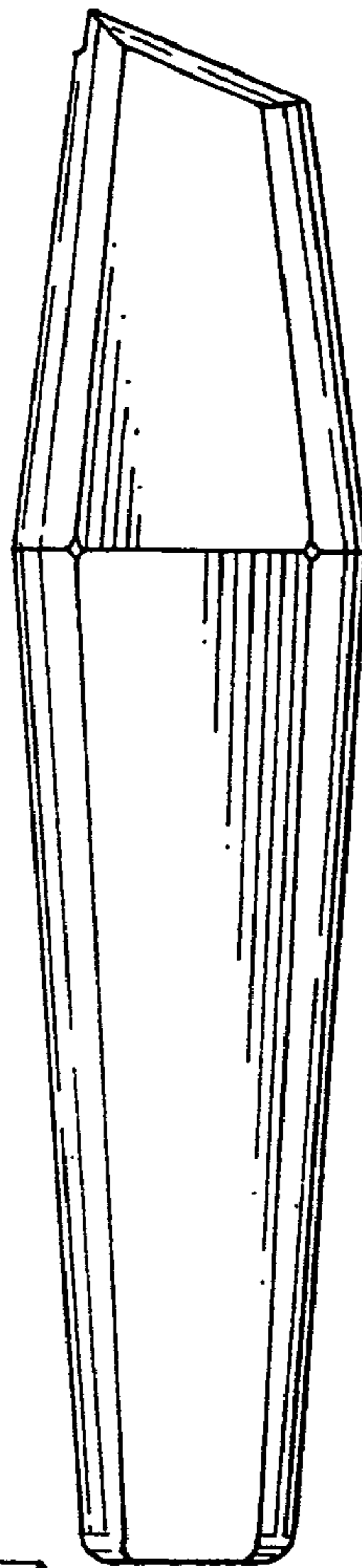


FIG. 2

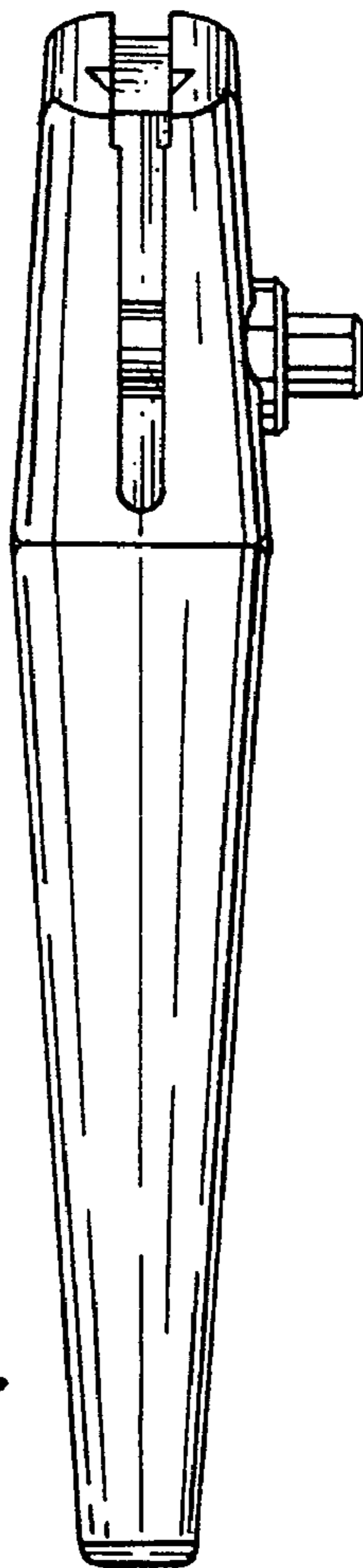


FIG. 3

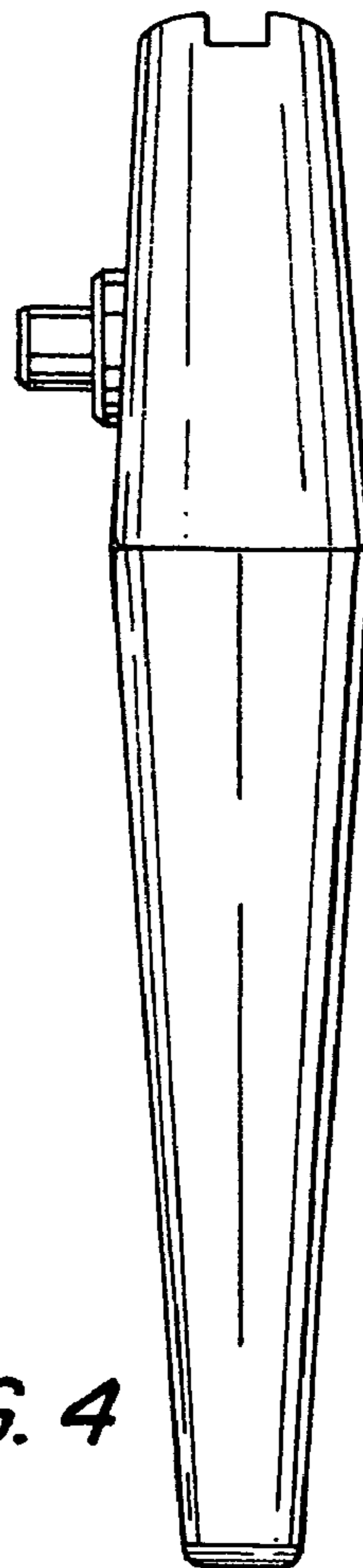


FIG. 4

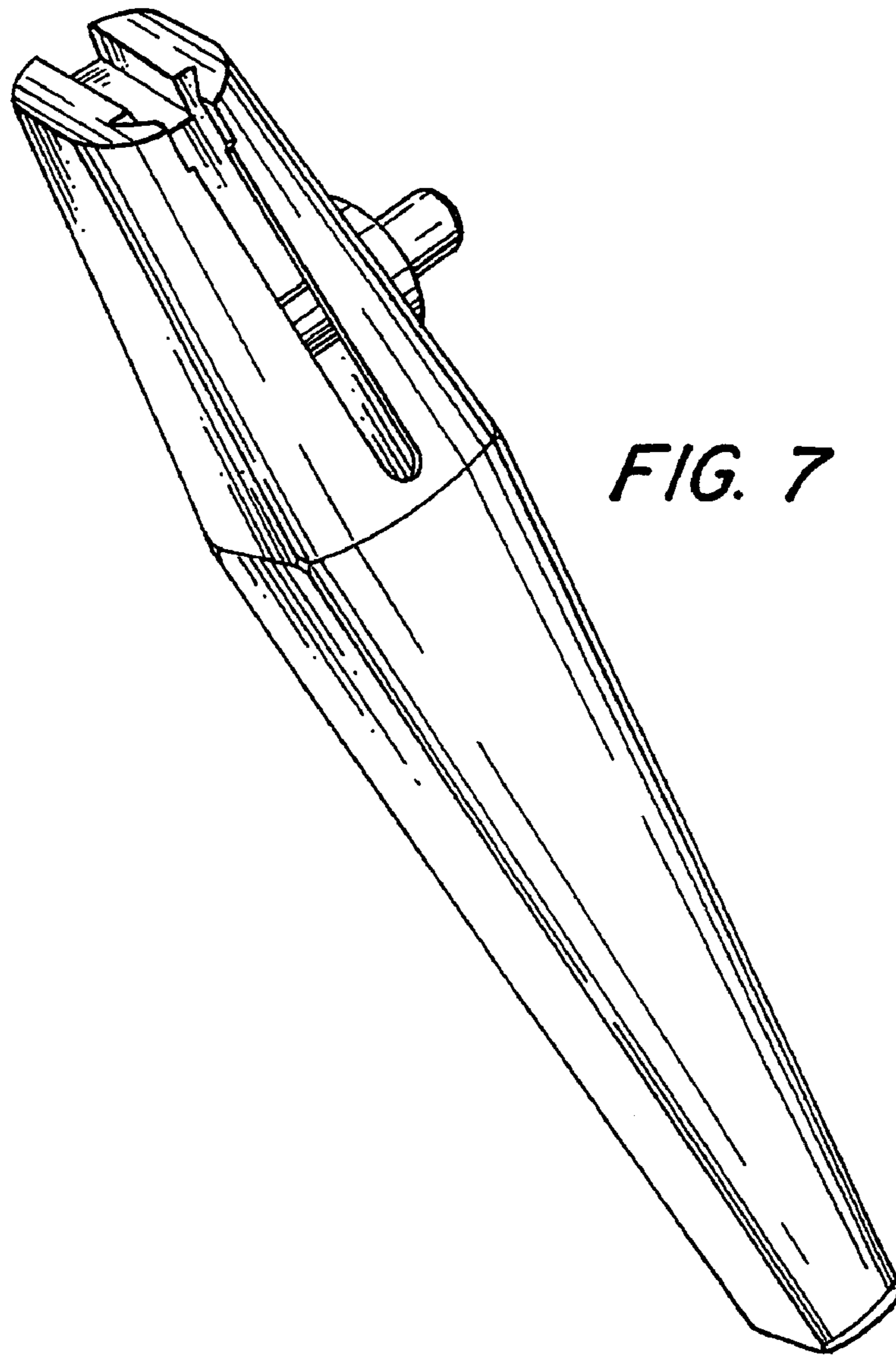


FIG. 7

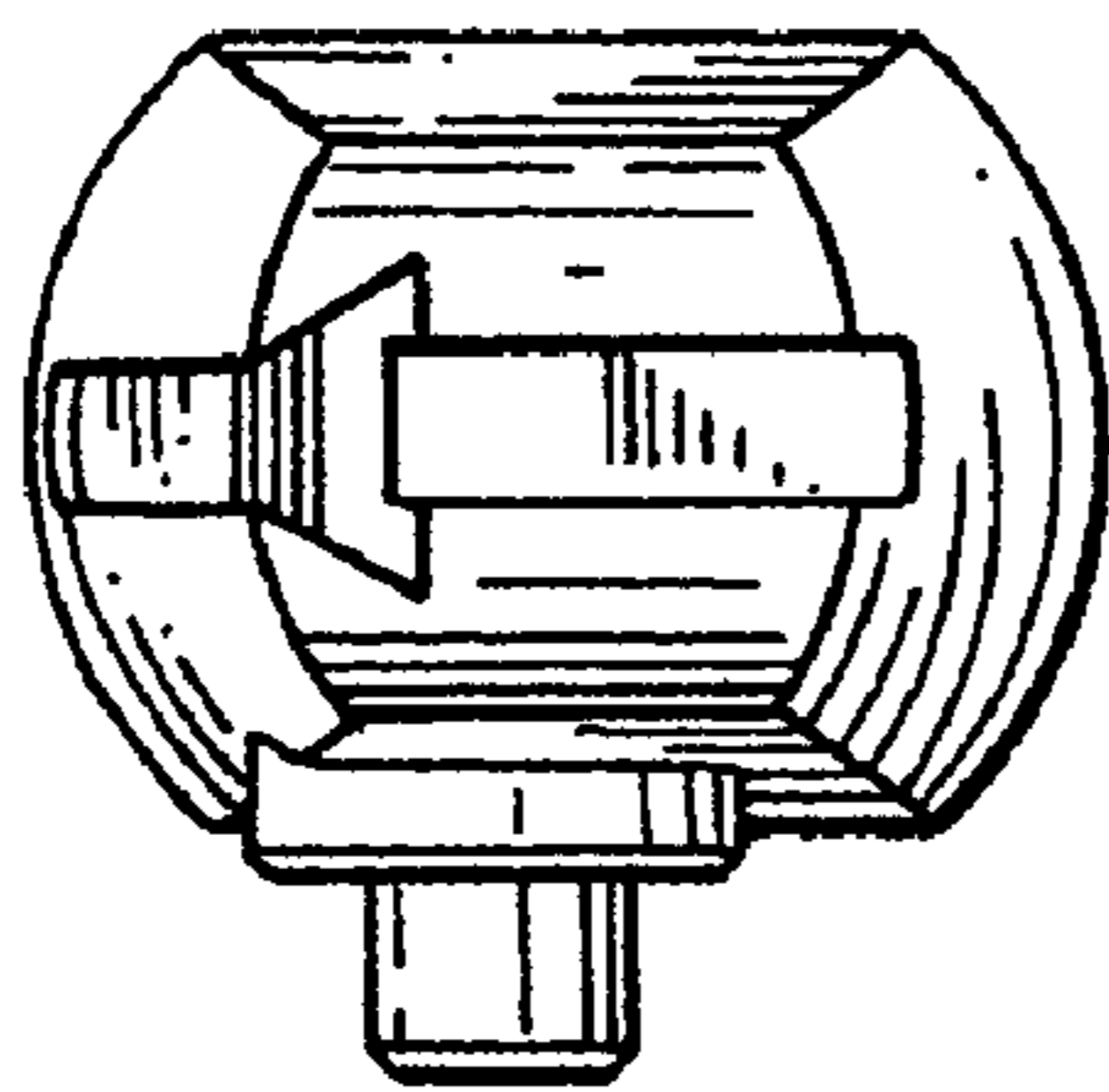


FIG. 5

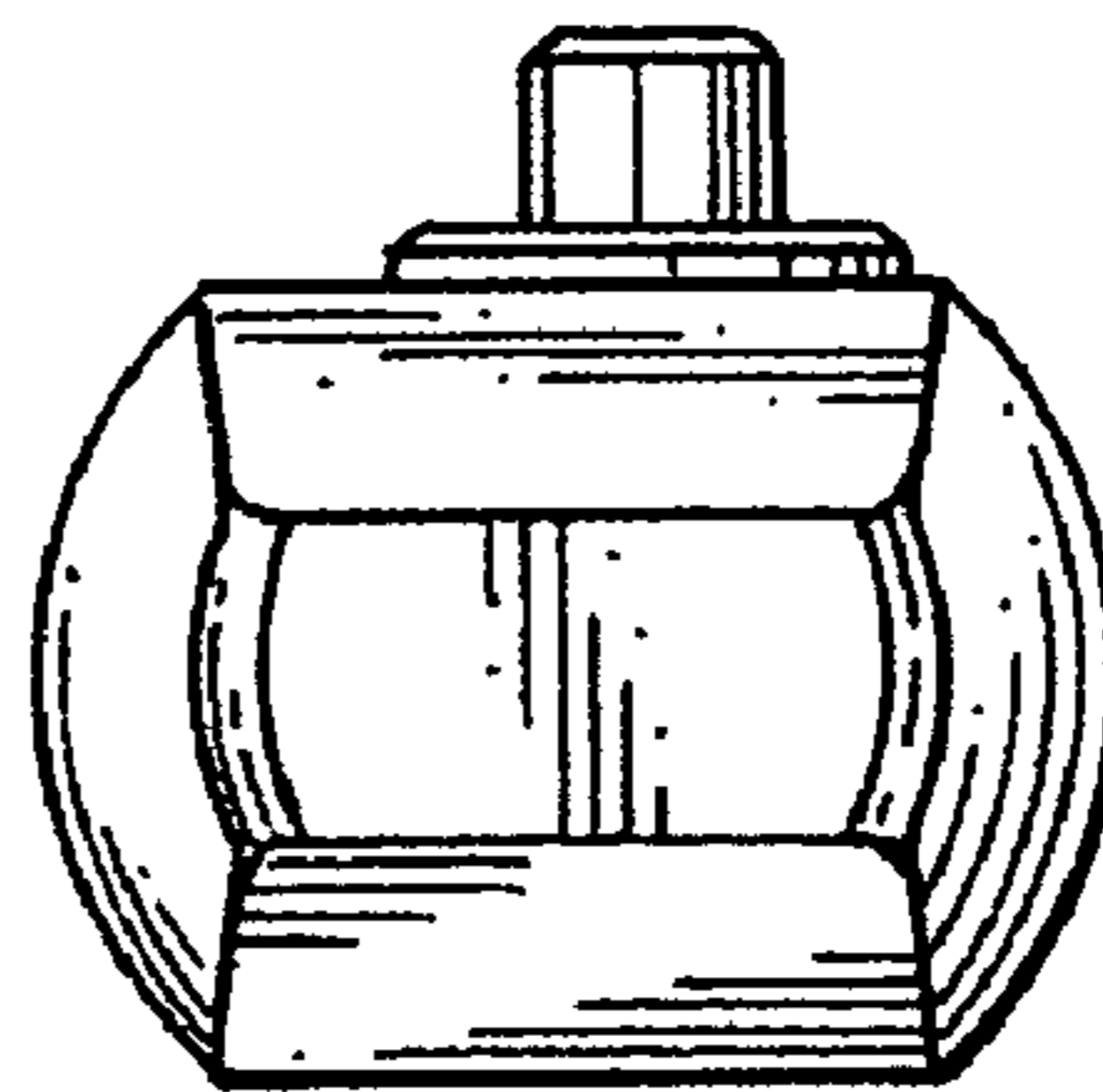


FIG. 6