

US00D546447S

(12) **United States Design Patent**  
**White**

(10) **Patent No.:** **US D546,447 S**

(45) **Date of Patent:** **\*\* Jul. 10, 2007**

(54) **SURGICAL NEEDLE APPARATUS**

AU 300050 8/2004

(76) Inventor: **Maree Louise White**, 18A Brickwood Street, Brighton, Melbourne, Victoria (AU) 3186

\* cited by examiner

*Primary Examiner*—Charles A. Rademaker

*Assistant Examiner*—Christopher Lee

(\*\*) Term: **14 Years**

(21) Appl. No.: **29/233,554**

(57) **CLAIM**

(22) Filed: **Jul. 6, 2005**

The ornamental design for a surgical needle apparatus, as shown and described.

(51) **LOC (8) Cl.** ..... **24-02**

(52) **U.S. Cl.** ..... **D24/133; D24/146; D24/147**

(58) **Field of Classification Search** ..... D24/112, D24/113, 114, 130, 140, 144, 170, 146, 147, D24/142, 133; D8/98; D28/55; D19/36, D19/43, 51; 604/143, 232, 192, 263, 242; 606/107; 600/578; 206/365

See application file for complete search history.

**DESCRIPTION**

The surgical needle apparatus consists of a surgical type needle mounted to a handle with a cap for protecting the sharp end of the needle.

FIG. 1 is a perspective view of a surgical needle apparatus showing my new design;

FIG. 2 is a perspective view of the surgical needle apparatus in a disassembled condition;

FIG. 3 is a perspective view of the surgical needle apparatus showing the design in an alternate assembled condition;

FIG. 4 is a side elevational view of the needle member;

FIG. 5 is a left end elevational view thereof;

FIG. 6 is a right end elevational view thereof;

FIG. 7 is side elevational view of the cap member;

FIG. 8 is a left end elevational view thereof; and,

FIG. 9 is a rear elevational view.

(56) **References Cited**

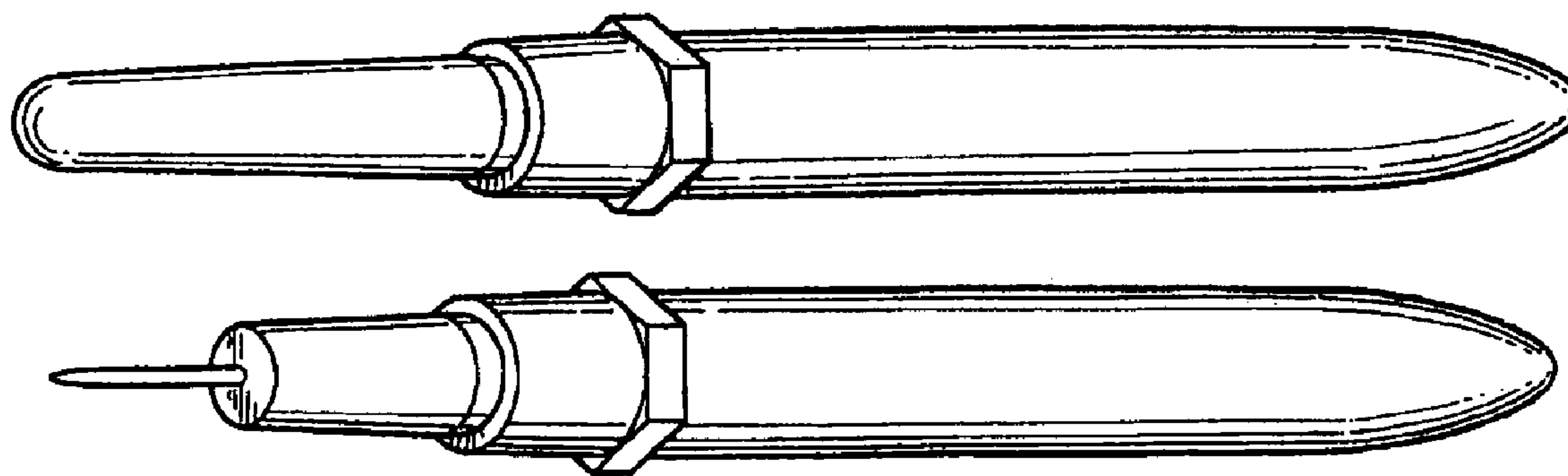
U.S. PATENT DOCUMENTS

- D136,273 S \* 8/1943 Brandenburg ..... D24/142
- D150,320 S \* 7/1948 Starr ..... D19/51
- D199,564 S \* 11/1964 Koss ..... D8/98
- 3,329,146 A \* 7/1967 Waldman, Jr. .... 604/192
- D364,923 S \* 12/1995 Chou ..... D24/144
- 6,726,649 B2 \* 4/2004 Swenson et al. .... 604/46
- D499,485 S \* 12/2004 Tyce ..... D24/114
- D532,516 S \* 11/2006 Wolff ..... D24/142

FOREIGN PATENT DOCUMENTS

AU 156198 8/2004

**1 Claim, 2 Drawing Sheets**



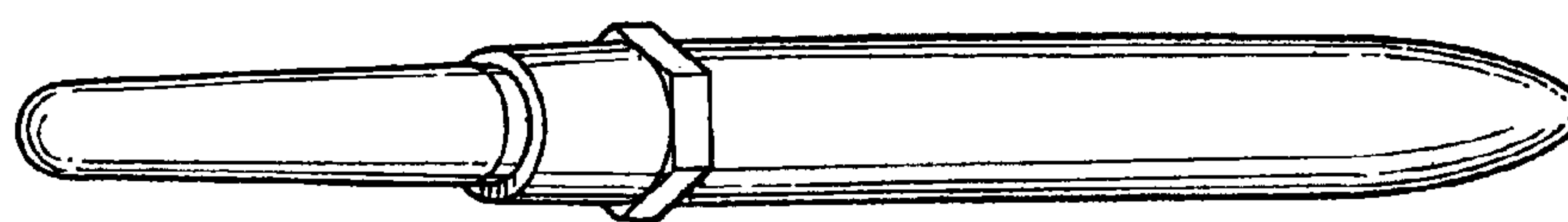


Fig. 1

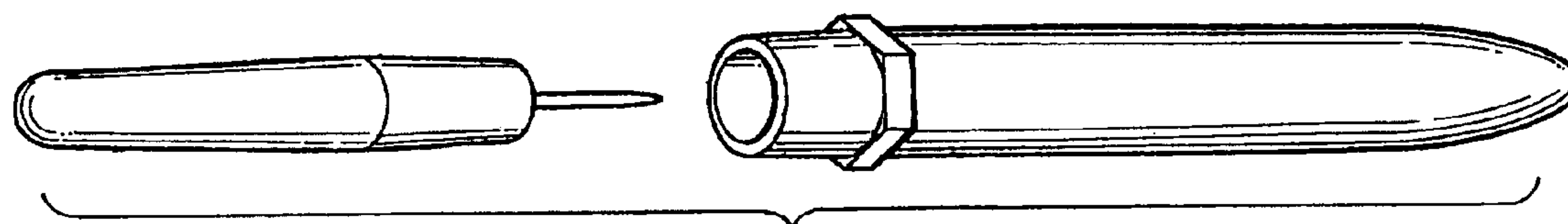


Fig. 2

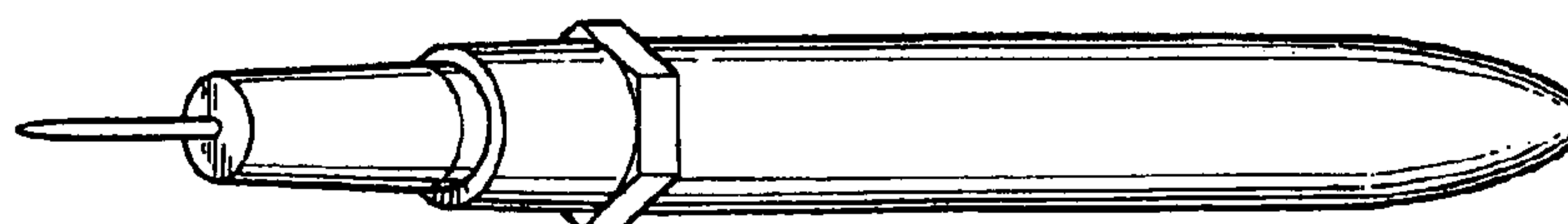


Fig. 3



Fig. 5

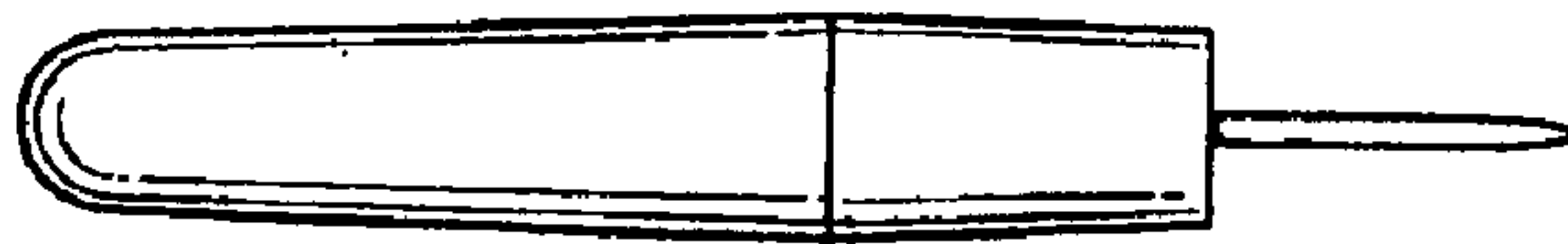


Fig. 4



Fig. 6



Fig. 8

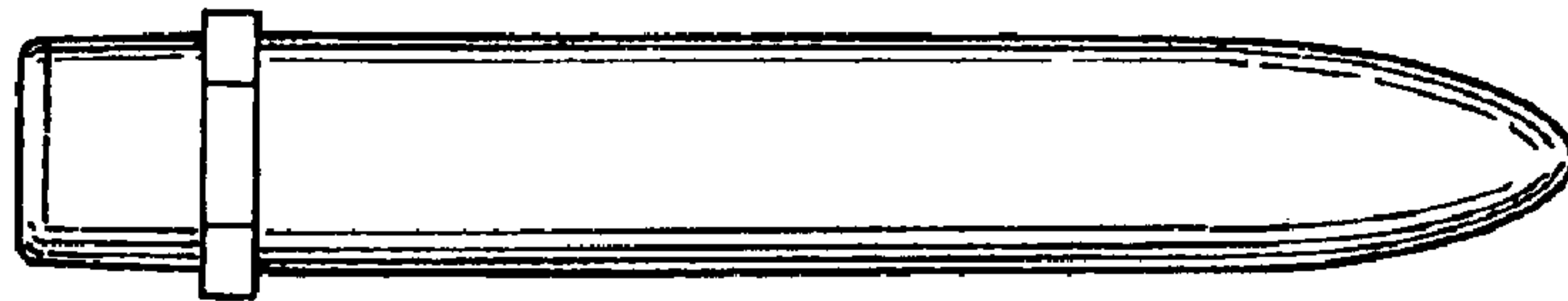


Fig. 7



Fig. 9