



US00D546445S

(12) **United States Design Patent** (10) **Patent No.:** **US D546,445 S**
Martynus et al. (45) **Date of Patent:** **** Jul. 10, 2007**

(54) **DIAPER**

(75) Inventors: **Cornelia Beate Martynus**, Nidderau (DE); **Gemma Baquer-Molas**, Schwalbach (DE); **Agustin Ramos Blanco**, Oberursel (DE); **Ekaterina Anatolyevna Ponomarenko**, Bad Soden (DE)

(73) Assignee: **The Procter & Gamble Co.**, Cincinnati, OH (US)

(**) Term: **14 Years**

(21) Appl. No.: **29/257,704**

(22) Filed: **Apr. 10, 2006**

(30) **Foreign Application Priority Data**

Oct. 10, 2005 (EM) 0412499-0002

(51) **LOC (8) Cl.** **24-04**

(52) **U.S. Cl.** **D24/126**

(58) **Field of Classification Search** D24/124-126;
604/358-361, 367, 370, 378-380, 384-385.02
See application file for complete search history.

(56) **References Cited**

U.S. PATENT DOCUMENTS

4,662,877	A	5/1987	Williams	
4,681,577	A	7/1987	Stern et al.	
4,990,147	A	2/1991	Freeland	
5,062,840	A	11/1991	Holt et al.	
5,342,338	A	8/1994	Roe	
5,941,864	A	8/1999	Roe	
5,957,907	A	9/1999	Sauer	
5,989,478	A	11/1999	Ouellette et al.	
D443,690	S *	6/2001	Popp et al.	D24/126
6,258,076	B1 *	7/2001	Glaug et al.	604/387
D452,315	S *	12/2001	Coates	D24/126
D489,451	S *	5/2004	Glaug et al.	D24/126
D489,821	S *	5/2004	Glaug et al.	D24/126
D500,131	S *	12/2004	Choice	D24/125
2002/0087136	A1	7/2002	Widlund	

2003/0158532	A1	8/2003	Magee et al.
2004/0092900	A1	5/2004	Hoffman et al.
2004/0092902	A1	5/2004	Hoffman et al.
2004/0162538	A1	8/2004	Mueller et al.

FOREIGN PATENT DOCUMENTS

EP	0 934 736	A1	8/1999
EP	0 953 323	A	11/1999
EP	1 057 464	A2	12/2000
EP	1 184 020	A2	3/2002
EP	1 190 690	A2	3/2002
EP	1 201 212	A	5/2002
WO	WO 93/01780	A1	2/1993
WO	WO 99/02395		2/1996
WO	WO 99/02393		1/1999
WO	WO 99/56680	A1	11/1999
WO	WO 99/62446	A1	12/1999
WO	WO 00/01334	A1	1/2000

OTHER PUBLICATIONS

Copending U.S. Appl. No. 10/703,233, filed Nov. 7, 2003.
Copending U.S. Appl. No. 10/703,239, filed Nov. 7, 2003.

* cited by examiner

Primary Examiner—Louis S. Zarfaz
Assistant Examiner—Michelle Wilson
(74) *Attorney, Agent, or Firm*—Thibault Fayette; Matthew P. Fitzpatrick; Ken K. Patel

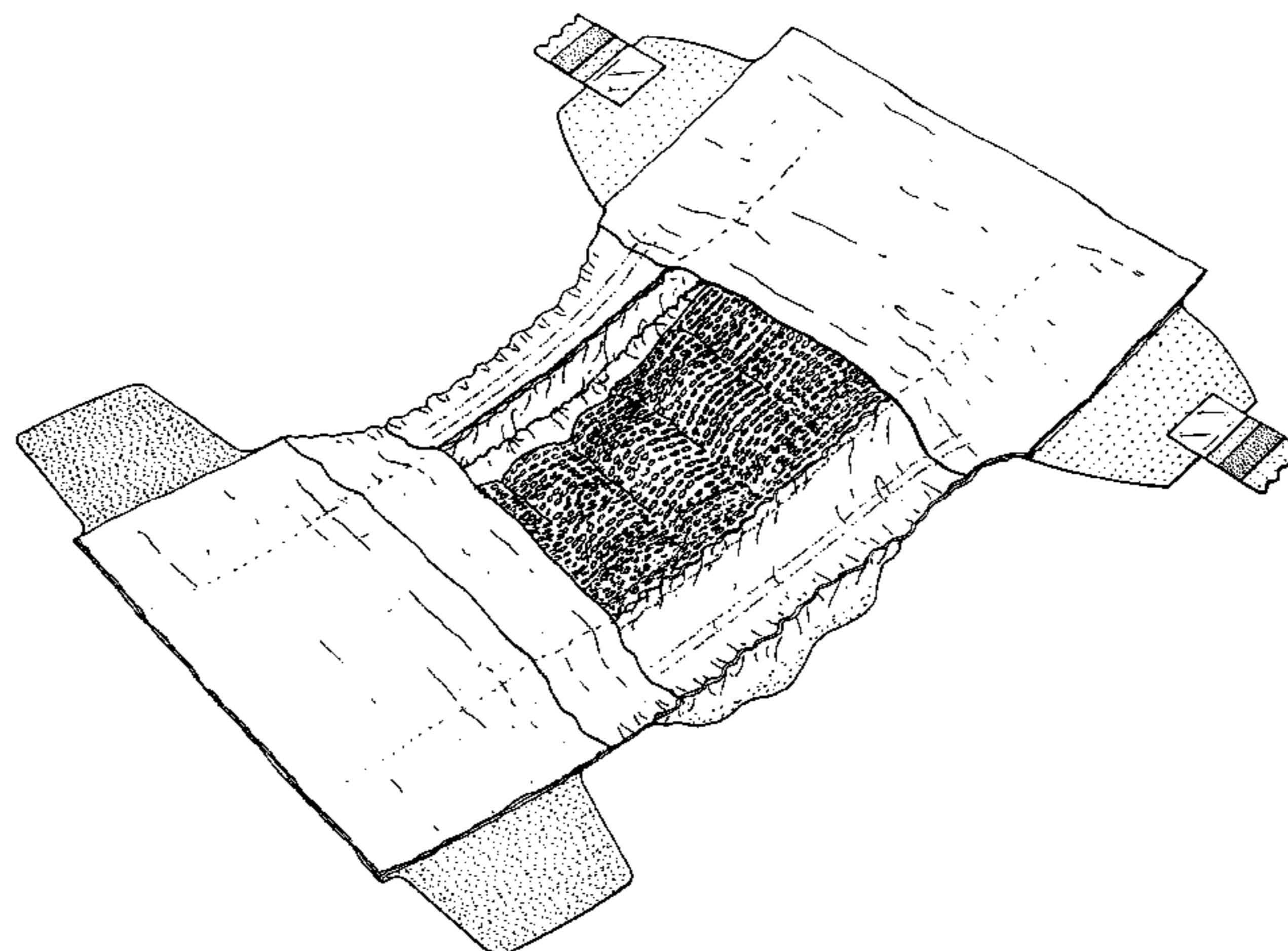
(57) **CLAIM**

The ornamental design for a diaper, as shown and described.

DESCRIPTION

FIG. 1 is a perspective view of a diaper, embodying the new design;
FIG. 2 is a top view of thereof;
FIG. 3 is a bottom view thereof;
FIG. 4 is a right view thereof;
FIG. 5 is a left view thereof;
FIG. 6 is a front side view thereof; and,
FIG. 7 is a back side view thereof.

1 Claim, 5 Drawing Sheets



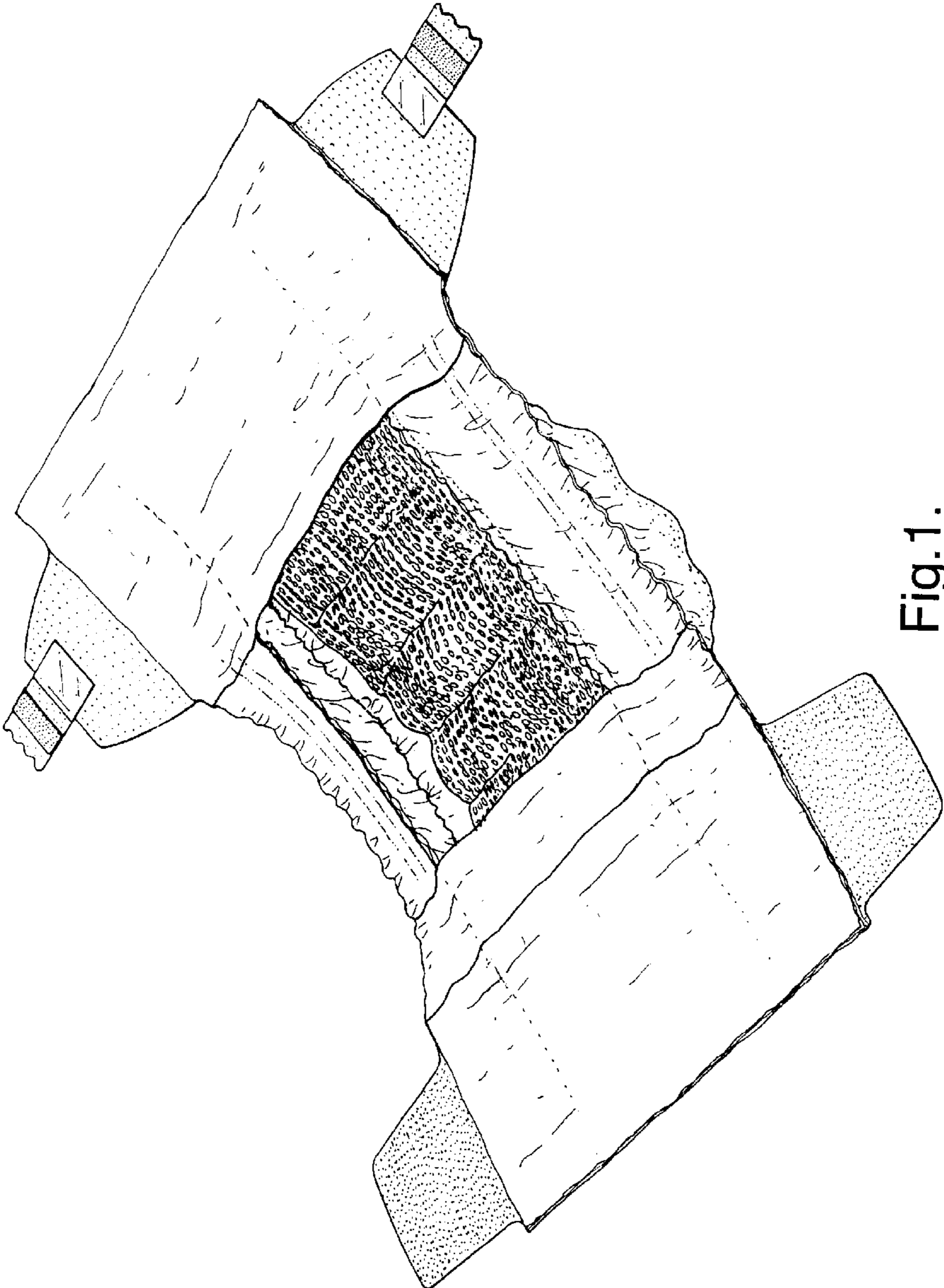


Fig.1.

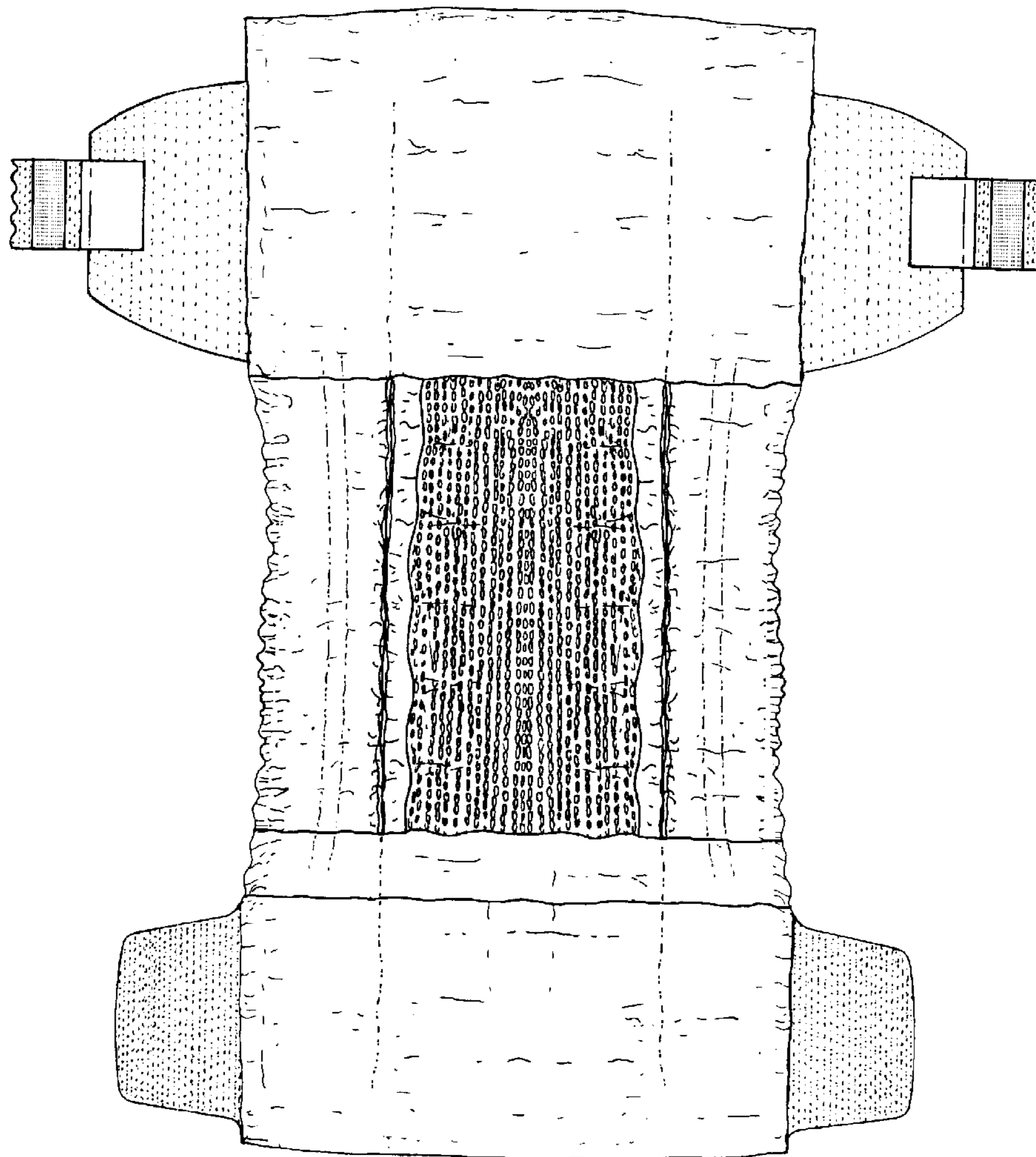


Fig.2.

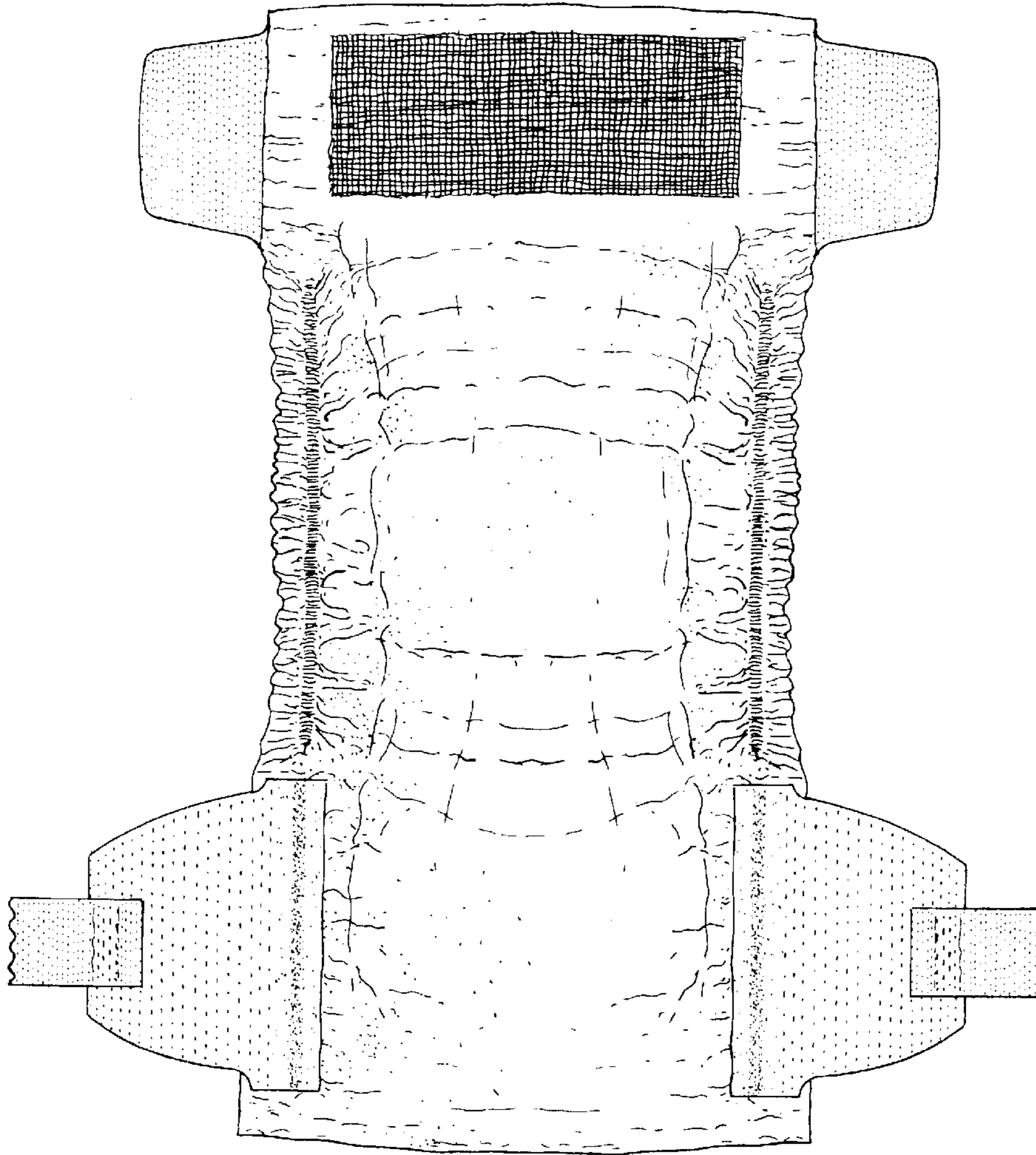


Fig.3.

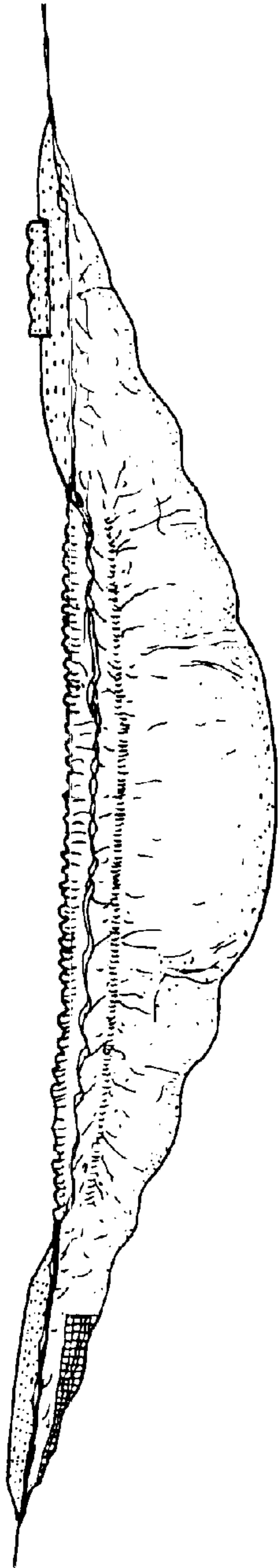


Fig. 4.

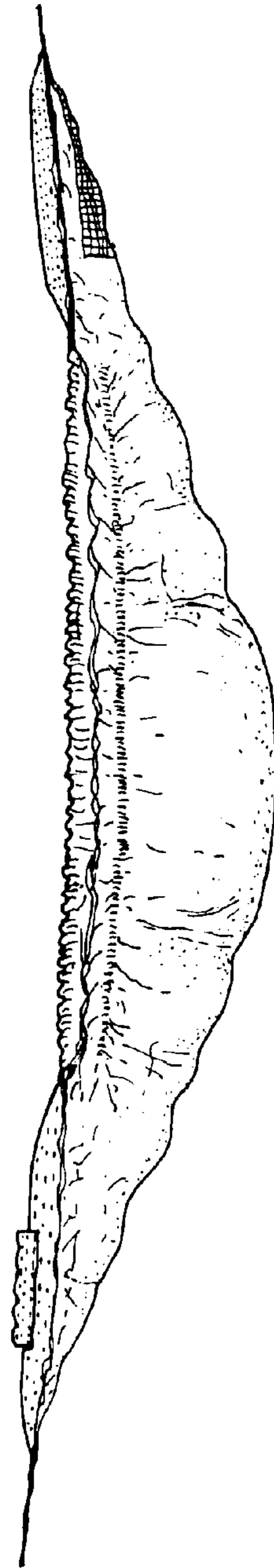


Fig. 5.

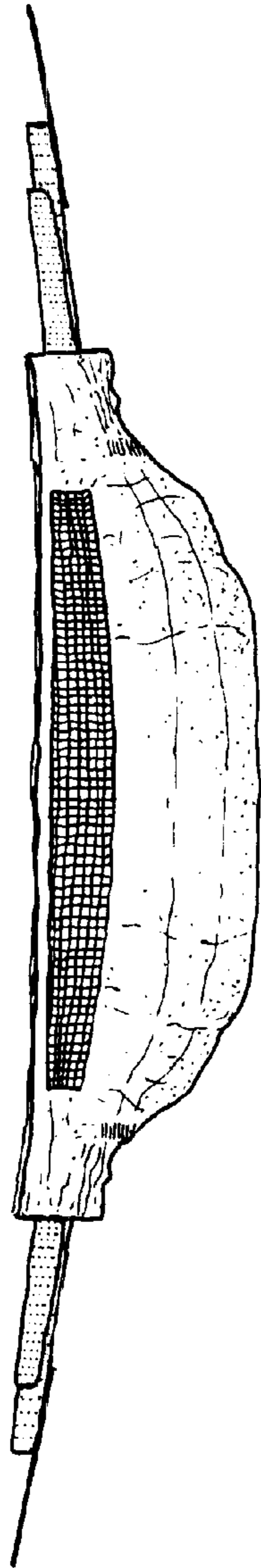


Fig. 6.

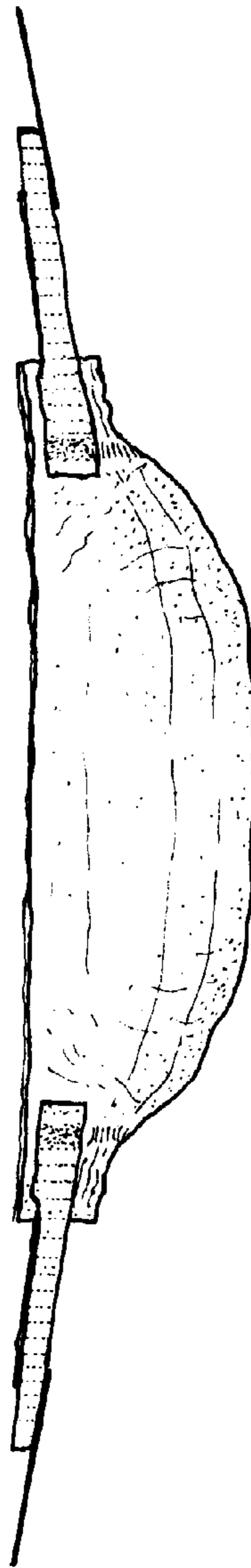


Fig. 7.