



US00D546438S

(12) **United States Design Patent**  
**Demirdjian et al.**

(10) **Patent No.:** **US D546,438 S**  
(45) **Date of Patent:** **\*\* Jul. 10, 2007**

(54) **BLOWER MOTOR**

(57) **CLAIM**

(75) Inventors: **Eddie Demirdjian**, Pasadena, CA (US);  
**Rouben Gourchounian**, La Canada  
Flintridge, CA (US)

The ornamental design for a blower motor, as shown and described.

(73) Assignee: **Intertex, Inc.**, Pasadena, CA (US)

**DESCRIPTION**

(\*\*) Term: **14 Years**

FIG. 1 is a left plan view of a preferred embodiment of the present invention;

(21) Appl. No.: **29/239,295**

FIG. 2 is a right plan view of the preferred embodiment of the present invention;

(22) Filed: **Sep. 28, 2005**

FIG. 3 is a top plan view of the preferred embodiment of the present invention;

**Related U.S. Application Data**

FIG. 4 is a bottom plan view of the preferred embodiment of the present invention;

(62) Division of application No. 29/201,642, filed on Mar. 17, 2004, now Pat. No. Des. 511,826.

FIG. 5 is a cross-section taken along line 5—5 of FIG. 4 of the preferred embodiment of the present invention;

(51) **LOC (8) Cl.** ..... **23-04**

(52) **U.S. Cl.** ..... **D23/383**

(58) **Field of Classification Search** ..... D23/383,  
D23/370; 415/204, 206, 213.1, 214.1  
See application file for complete search history.

FIG. 6 is a front plan view of the preferred embodiment of the present invention;

FIG. 7 is a back plan view of the preferred embodiment of the present invention;

(56) **References Cited**

**U.S. PATENT DOCUMENTS**

- D481,116 S \* 10/2003 Wang et al. .... D23/383
- D503,788 S \* 4/2005 Wang et al. .... D23/383
- D511,826 S \* 11/2005 Demirdjian et al. .... D23/383

FIG. 8 is a front perspective view of the preferred embodiment of the present invention; and,

FIG. 9 is a back perspective view of the preferred embodiment of the present invention.

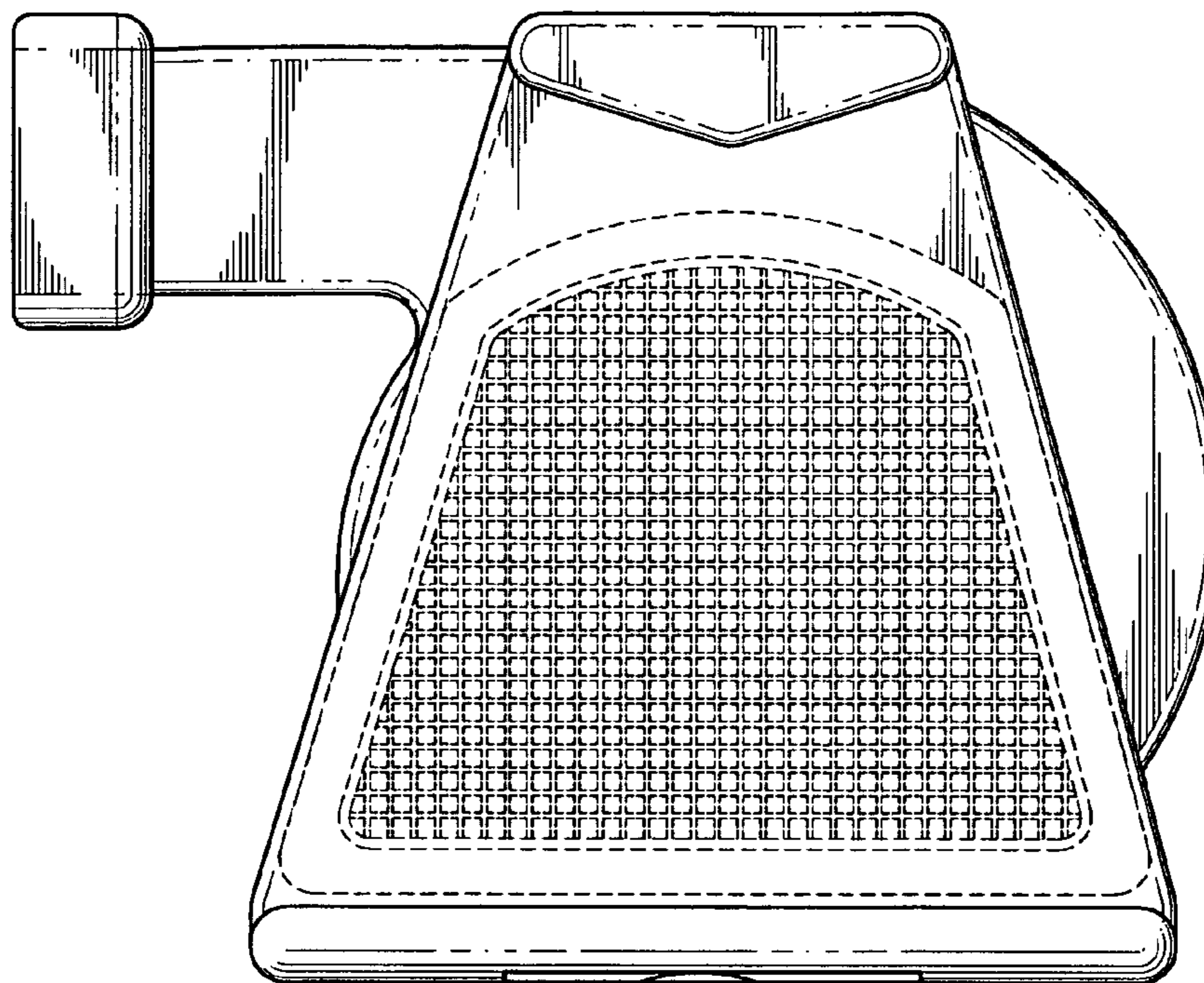
\* cited by examiner

The broken lines shown in the drawing are for illustrative purposes only and form no part of the claimed design.

The broken line showing of portions of the blower motor is included for the purpose of illustrating environmental structure and forms no part of the claimed design.

*Primary Examiner*—Lisa Lichtenstein  
(74) *Attorney, Agent, or Firm*—Jeffer Mangels Butler  
Marmaro LLP

**1 Claim, 5 Drawing Sheets**



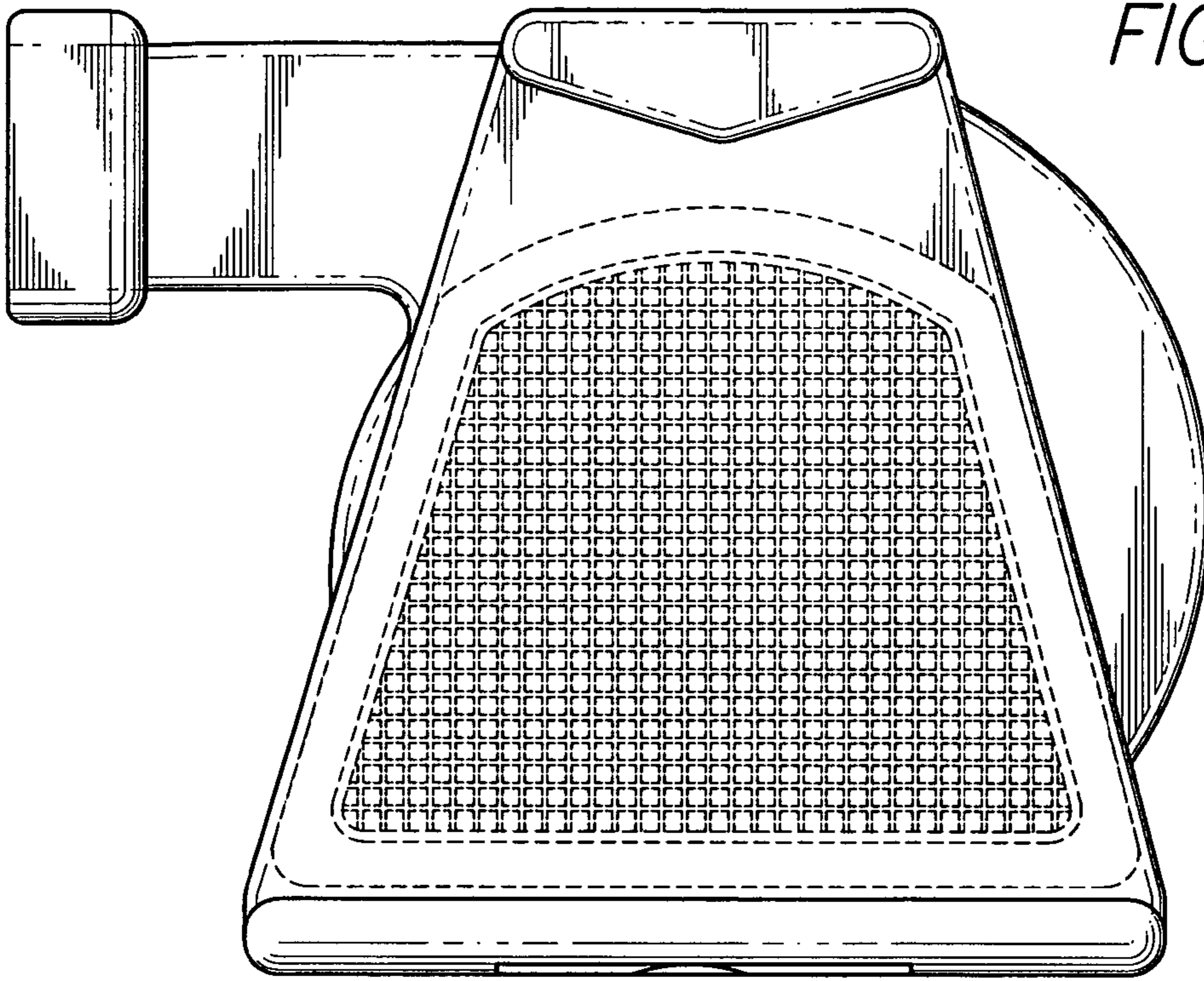


FIG. 1

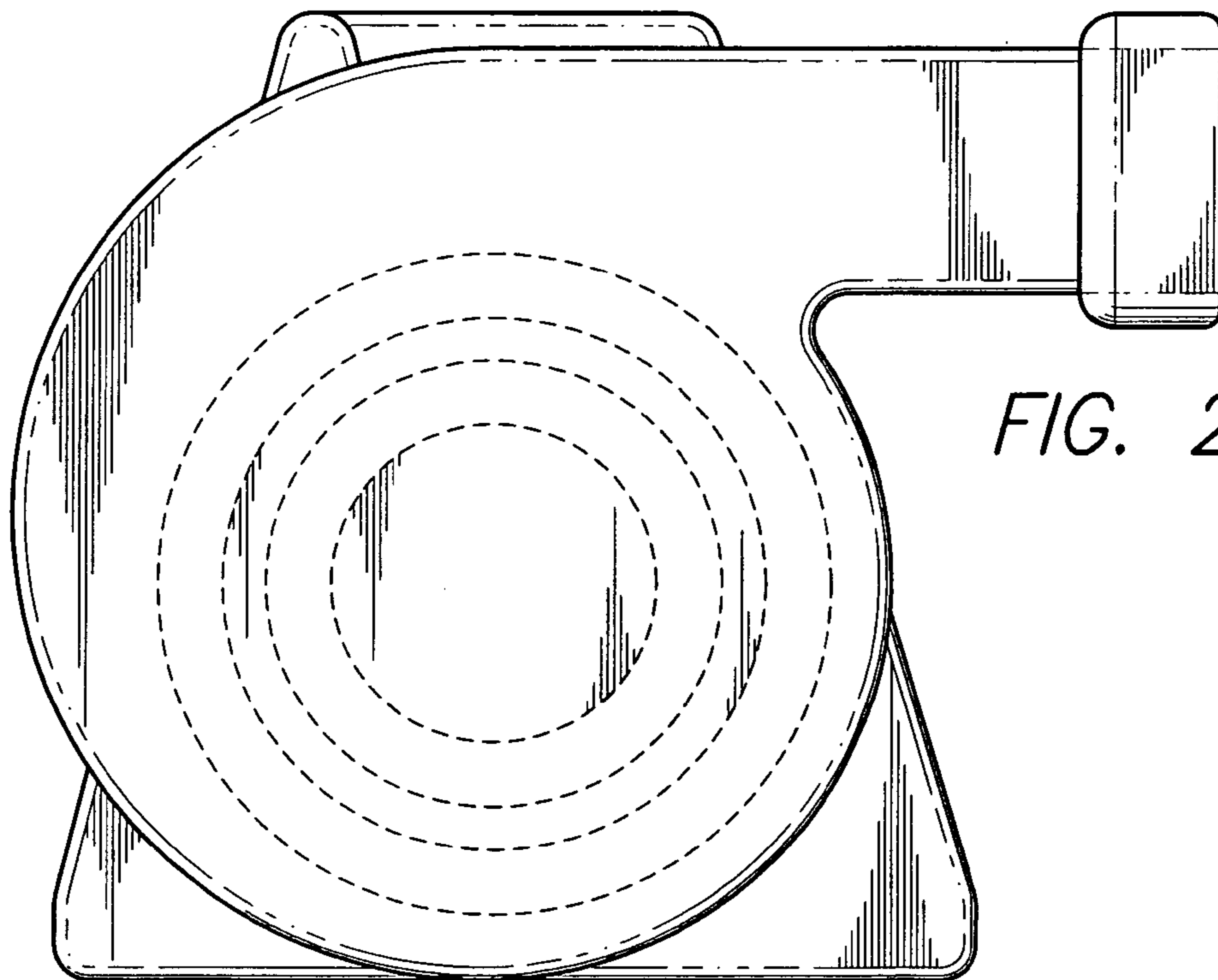


FIG. 2

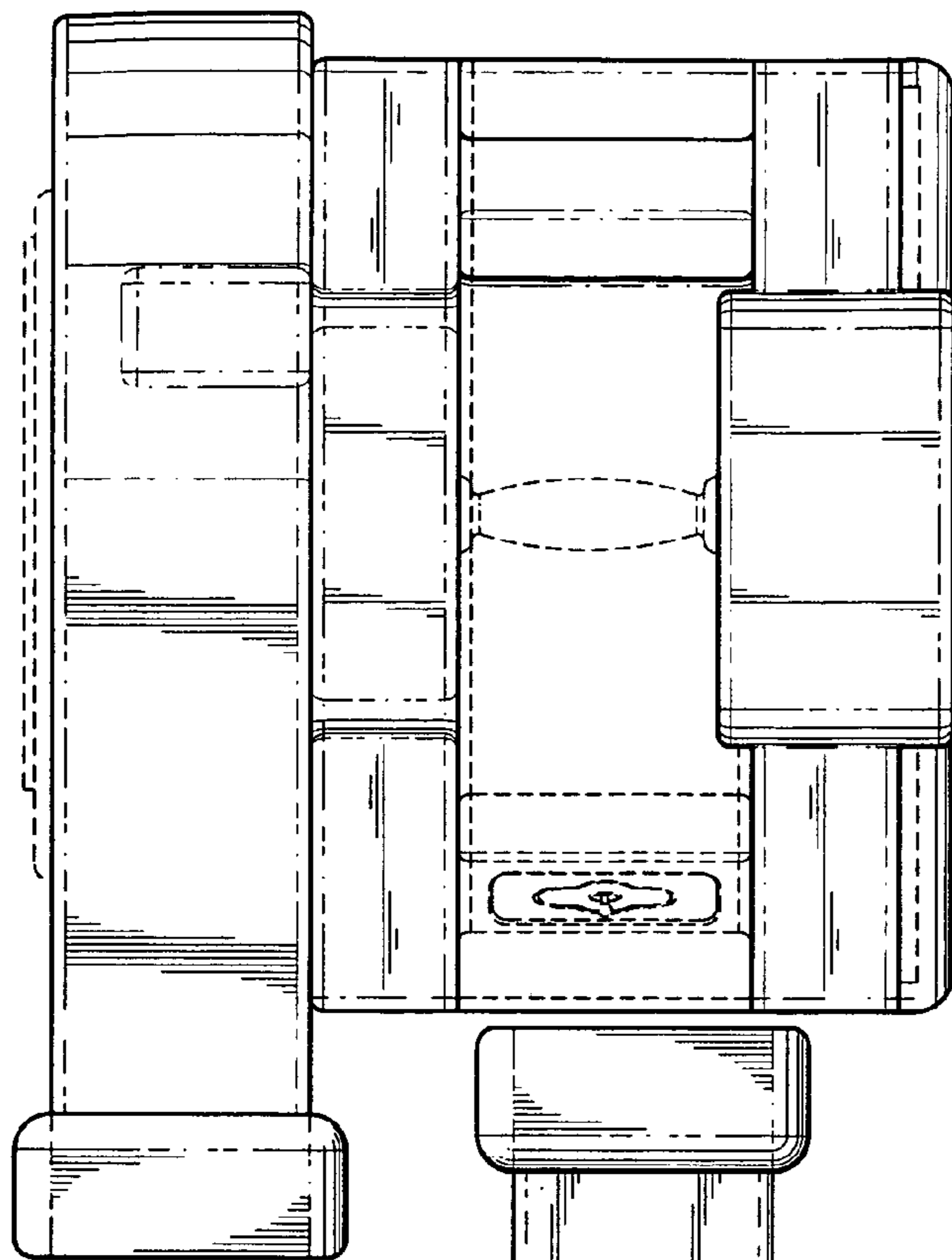


FIG. 3

FIG. 4

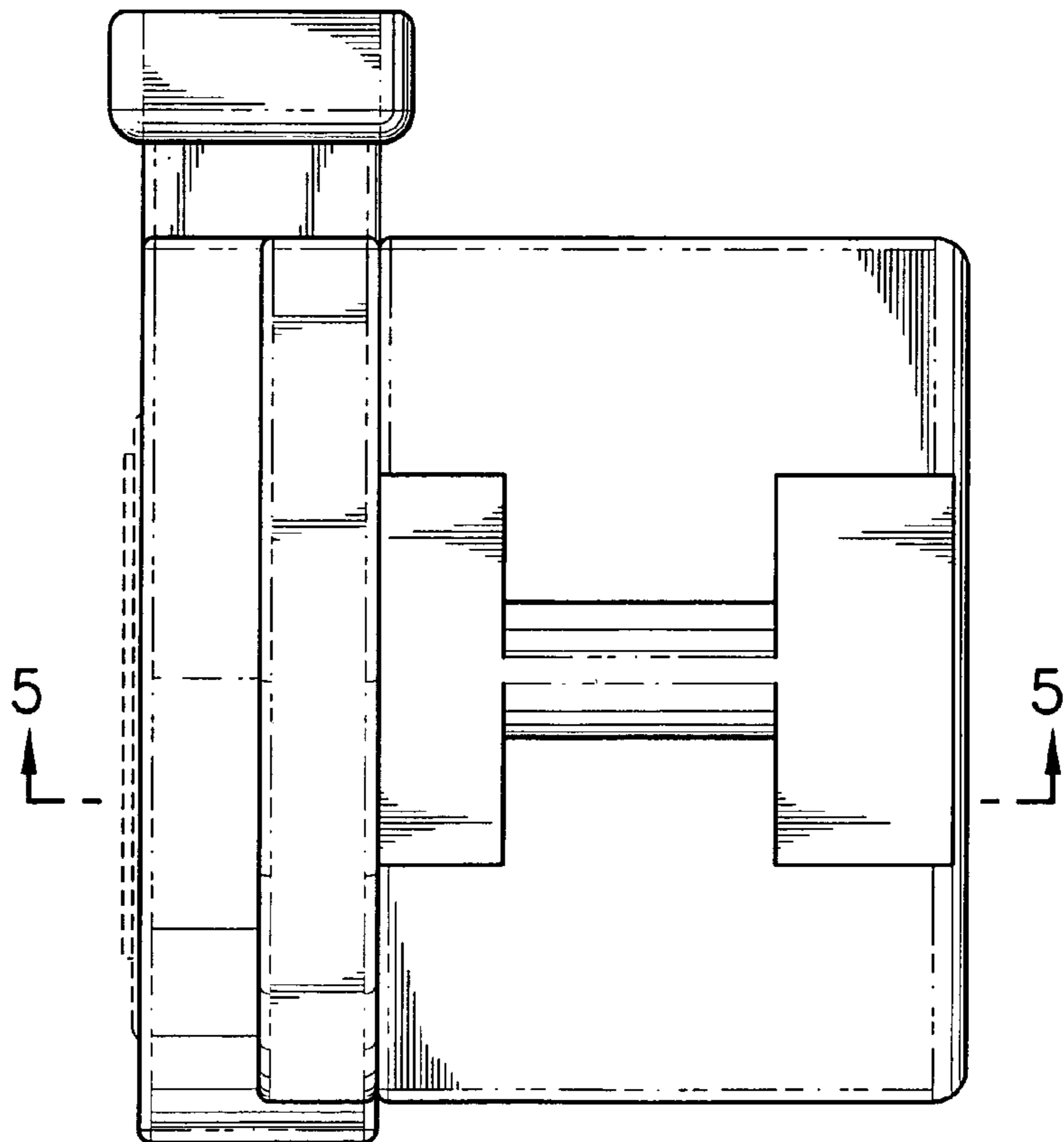


FIG. 5

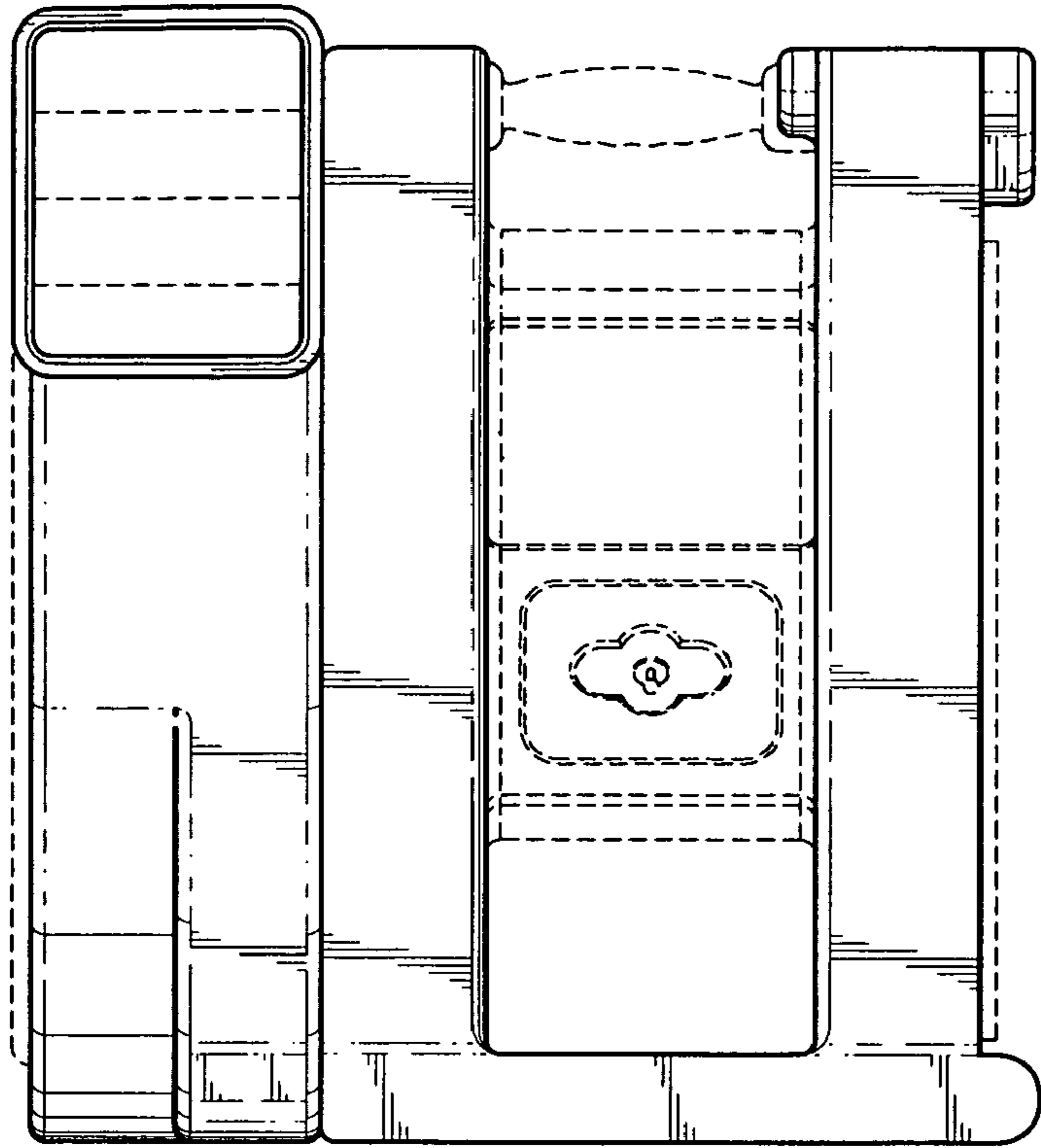


FIG. 6

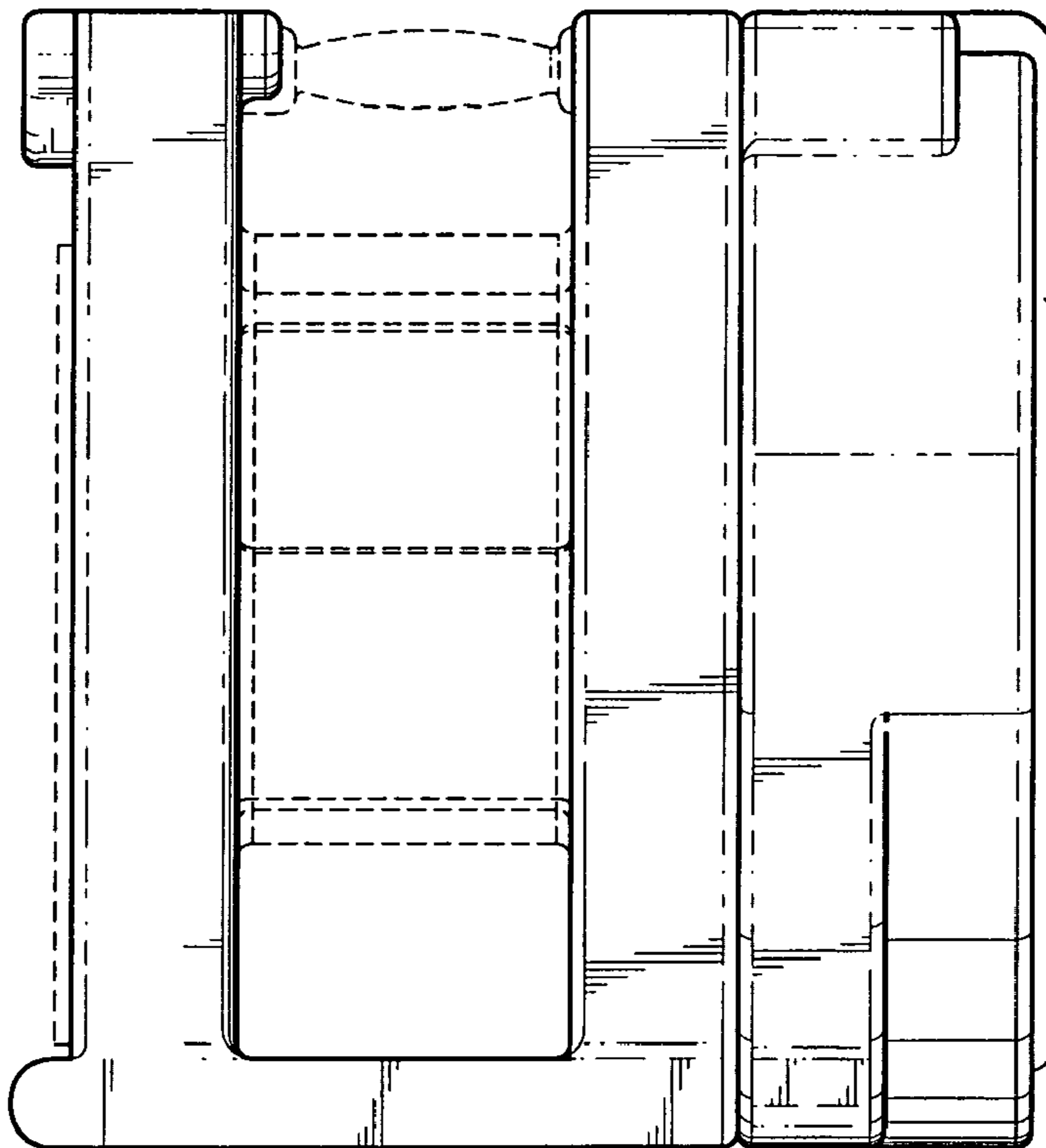


FIG. 7



FIG. 8

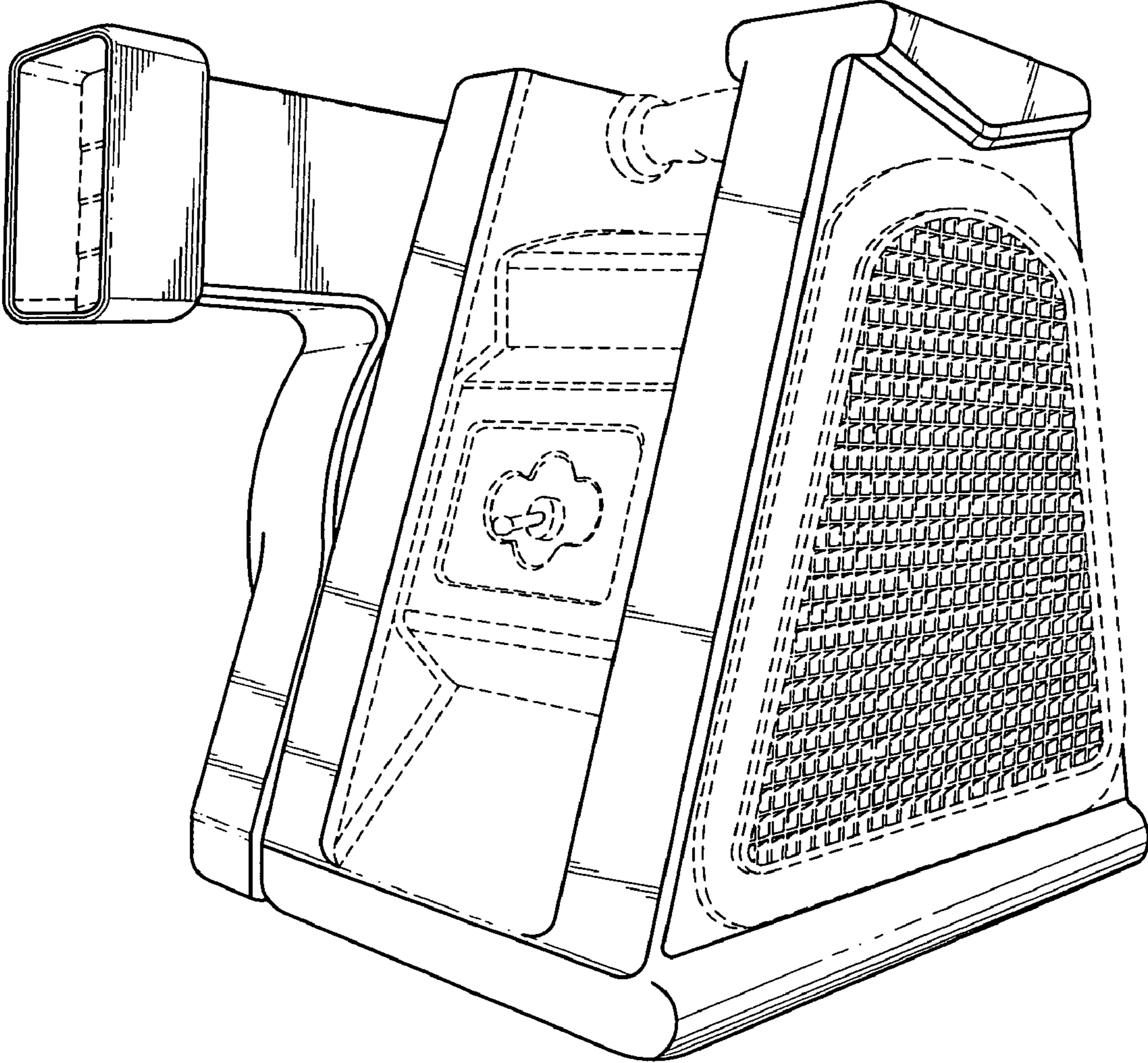


FIG. 9

