



US00D546437S

(12) **United States Design Patent**
Chen

(10) **Patent No.:** **US D546,437 S**

(45) **Date of Patent:** **** Jul. 10, 2007**

(54) **DESK TOP FAN**

(75) Inventor: **Yung Chen**, Clarendon Hills, IL (US)

(73) Assignee: **GLJ, LLC**, Chicago, IL (US)

(**) Term: **14 Years**

(21) Appl. No.: **29/248,338**

(22) Filed: **Aug. 10, 2006**

(51) **LOC (8) Cl.** **23-04**

(52) **U.S. Cl.** **D23/382**

(58) **Field of Classification Search** D23/370,
D23/381, 382, 332, 335-336, 411, 412; 416/247 R,
416/246

See application file for complete search history.

(56) **References Cited**

U.S. PATENT DOCUMENTS

4,839,106 A	6/1989	Steiner	
D349,570 S	* 8/1994	Radtke, Jr.	D23/382
D349,954 S	8/1994	Steiner et al.	
5,337,921 A	8/1994	Wilson et al.	
5,338,495 A	8/1994	Steiner et al.	
D365,393 S	* 12/1995	Geun	D23/382
D386,572 S	11/1997	Radtke et al.	
D387,153 S	* 12/1997	Fok	D23/382
D387,852 S	12/1997	Radtke et al.	

5,752,662 A	5/1998	Hsu et al.	
D400,242 S	* 10/1998	Litvin	D23/382
5,965,067 A	10/1999	Junkel et al.	
D416,081 S	* 11/1999	Lee	D23/378
D444,222 S	* 6/2001	Wilson, Jr.	D23/382
D444,871 S	* 7/2001	Wilson, Jr.	D23/382
6,398,132 B1	6/2002	Junkel et al.	
D460,542 S	* 7/2002	Li	D23/328
D503,212 S	3/2005	Peloquin	
D510,994 S	* 10/2005	Indio Da Costa	D23/382

* cited by examiner

Primary Examiner—Lisa Lichtenstein

(74) *Attorney, Agent, or Firm*—Gifford, Krass, Groh,
Sprinkle, Anderson & Citkowski, P.C.

(57) **CLAIM**

I claim the ornamental design for a desk top fan, as shown and described.

DESCRIPTION

FIG. 1 is a perspective view of the desk top fan according to the present design;
FIG. 2 is a front view of the present design;
FIG. 3 is a rear view of the present design;
FIG. 4 is a top view of the present design; and,
FIG. 5 is a right side view of the present design, a corresponding left side view being a mirror image thereof.

1 Claim, 3 Drawing Sheets

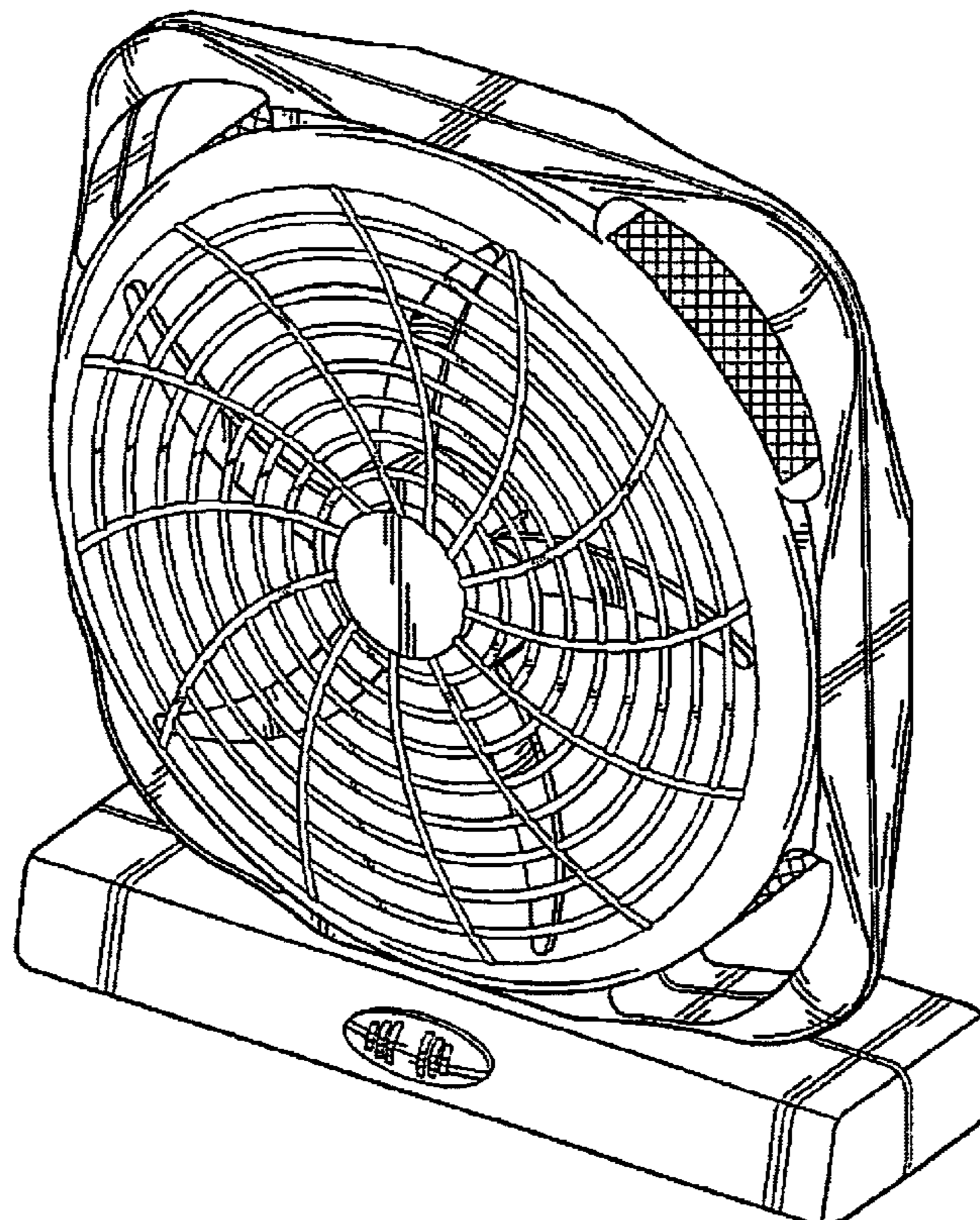


Fig-1

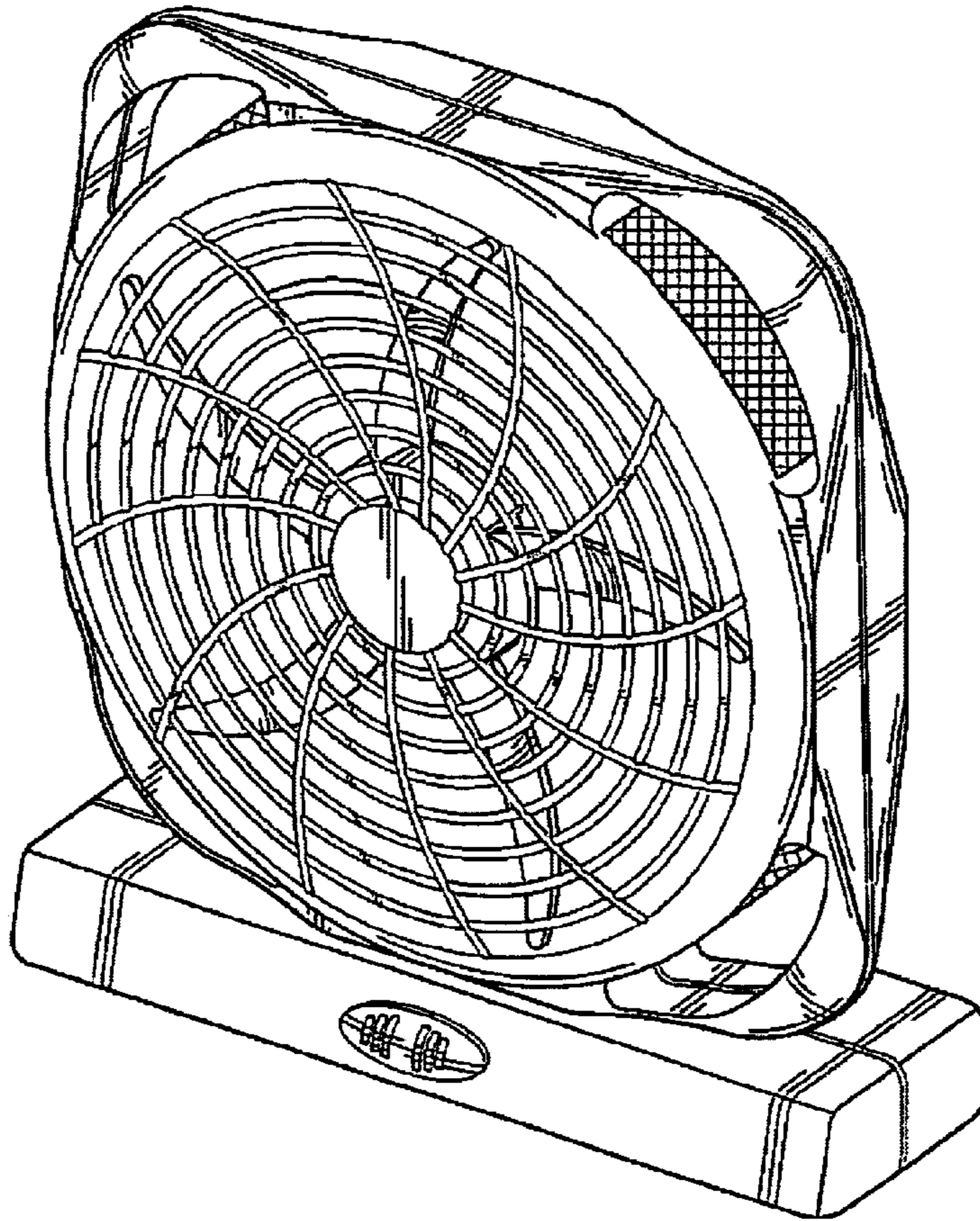
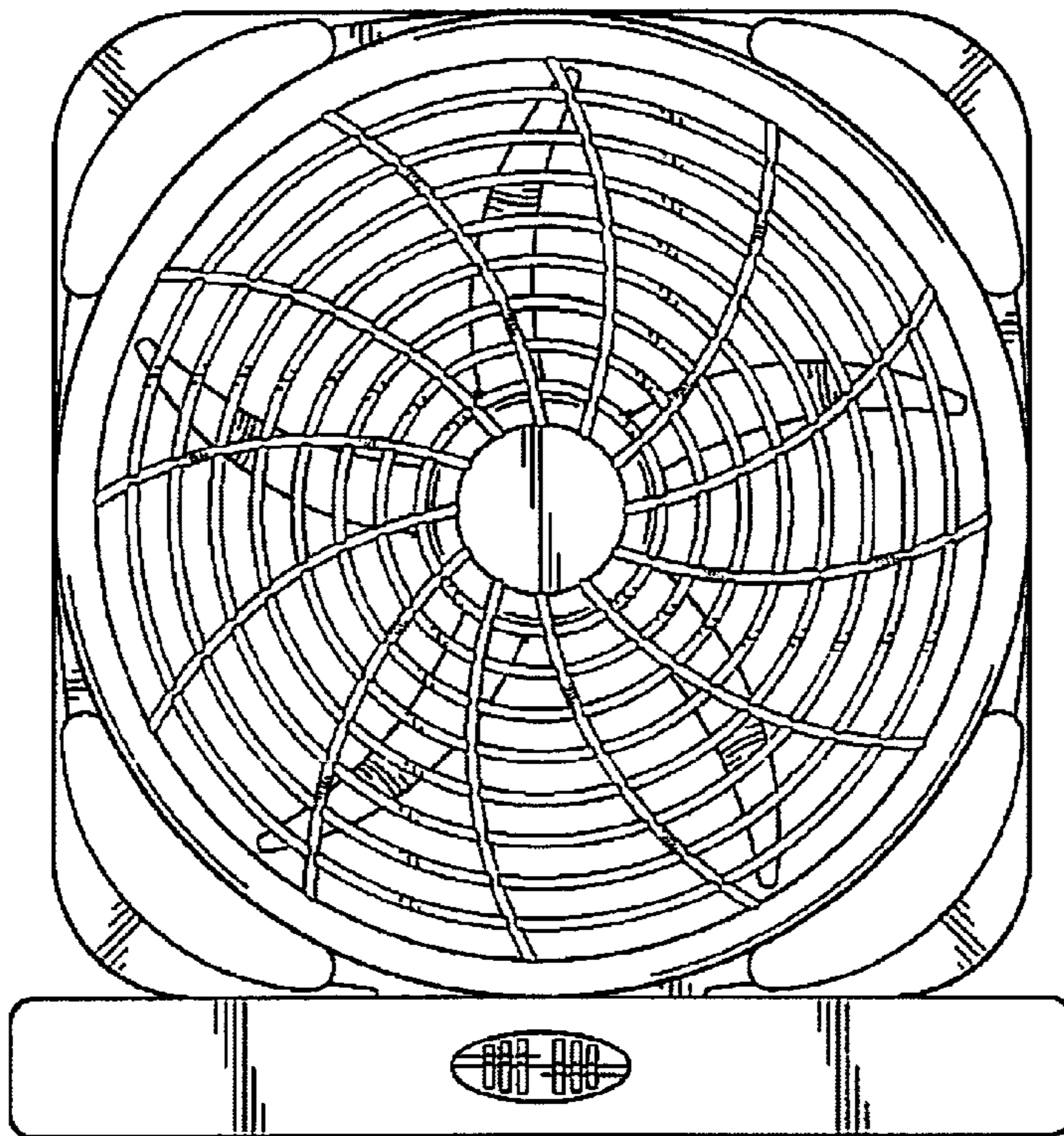


Fig-2



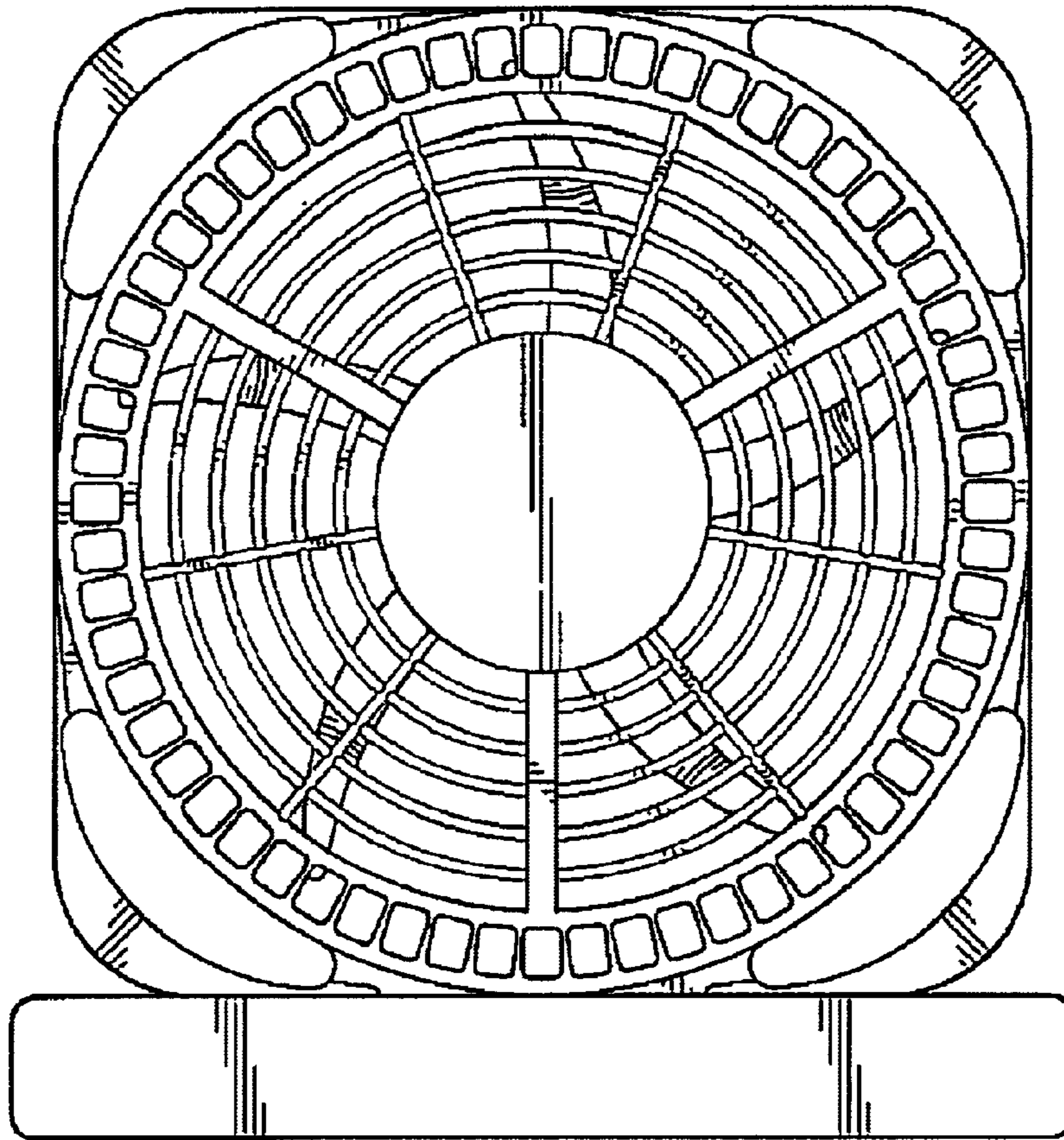


Fig-3

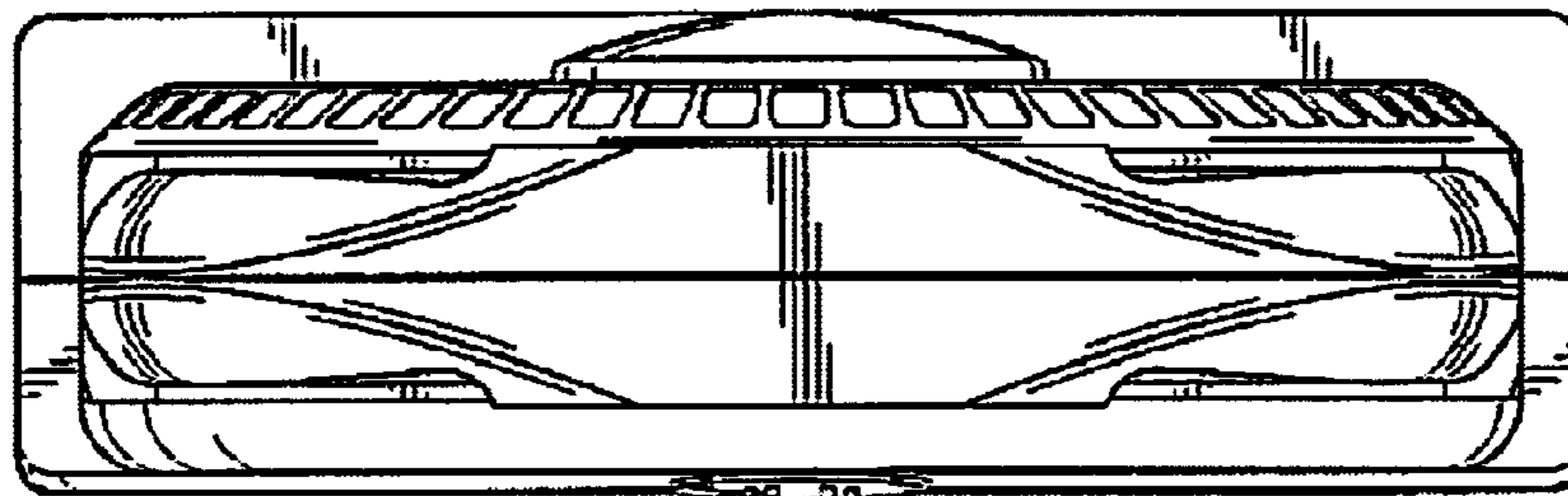


Fig-4

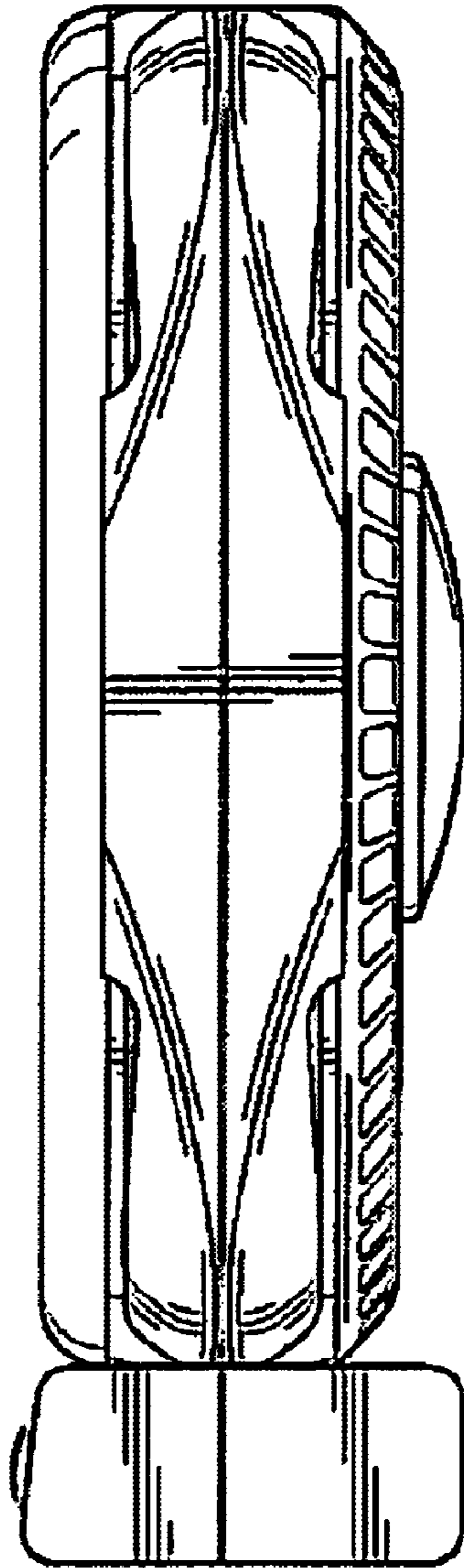


Fig-5