

US00D546436S

(12) **United States Design Patent**
Chen

(10) **Patent No.:** **US D546,436 S**

(45) **Date of Patent:** **** Jul. 10, 2007**

(54) **DESK TOP FAN**

(75) Inventor: **Yung Chen**, Clarendon Hills, IL (US)

(73) Assignee: **GLJ, LLC**, Chicago, IL (US)

(**) Term: **14 Years**

(21) Appl. No.: **29/248,336**

(22) Filed: **Aug. 10, 2006**

(51) **LOC (8) Cl.** **23-04**

(52) **U.S. Cl.** **D23/382**

(58) **Field of Classification Search** D23/370,
D23/381, 382, 332, 335-336, 411, 412; 416/247 R,
416/246

See application file for complete search history.

(56) **References Cited**

U.S. PATENT DOCUMENTS

D349,570 S	*	8/1994	Radtke, Jr.	D23/382
D365,393 S	*	12/1995	Geun	D23/382
D387,153 S	*	12/1997	Fok	D23/382
D400,242 S	*	10/1998	Litvin	D23/382
D416,081 S	*	11/1999	Lee	D23/378

D444,222 S	*	6/2001	Wilson, Jr.	D23/382
D444,871 S	*	7/2001	Wilson, Jr.	D23/382
D460,542 S	*	7/2002	Li	D23/328
D510,994 S	*	10/2005	Indio Da Costa	D23/382

* cited by examiner

Primary Examiner—Lisa Lichtenstein

(74) *Attorney, Agent, or Firm*—Gifford, Krass, Groh, Sprinkle, Anderson & Citkowski, P.C.

(57) **CLAIM**

I claim the ornamental design for a desk top fan, as shown and described.

DESCRIPTION

FIG. 1 is a perspective view of the desk top fan according to the present design;

FIG. 2 is a right side view of the present design, a corresponding left side view being a mirror image thereof;

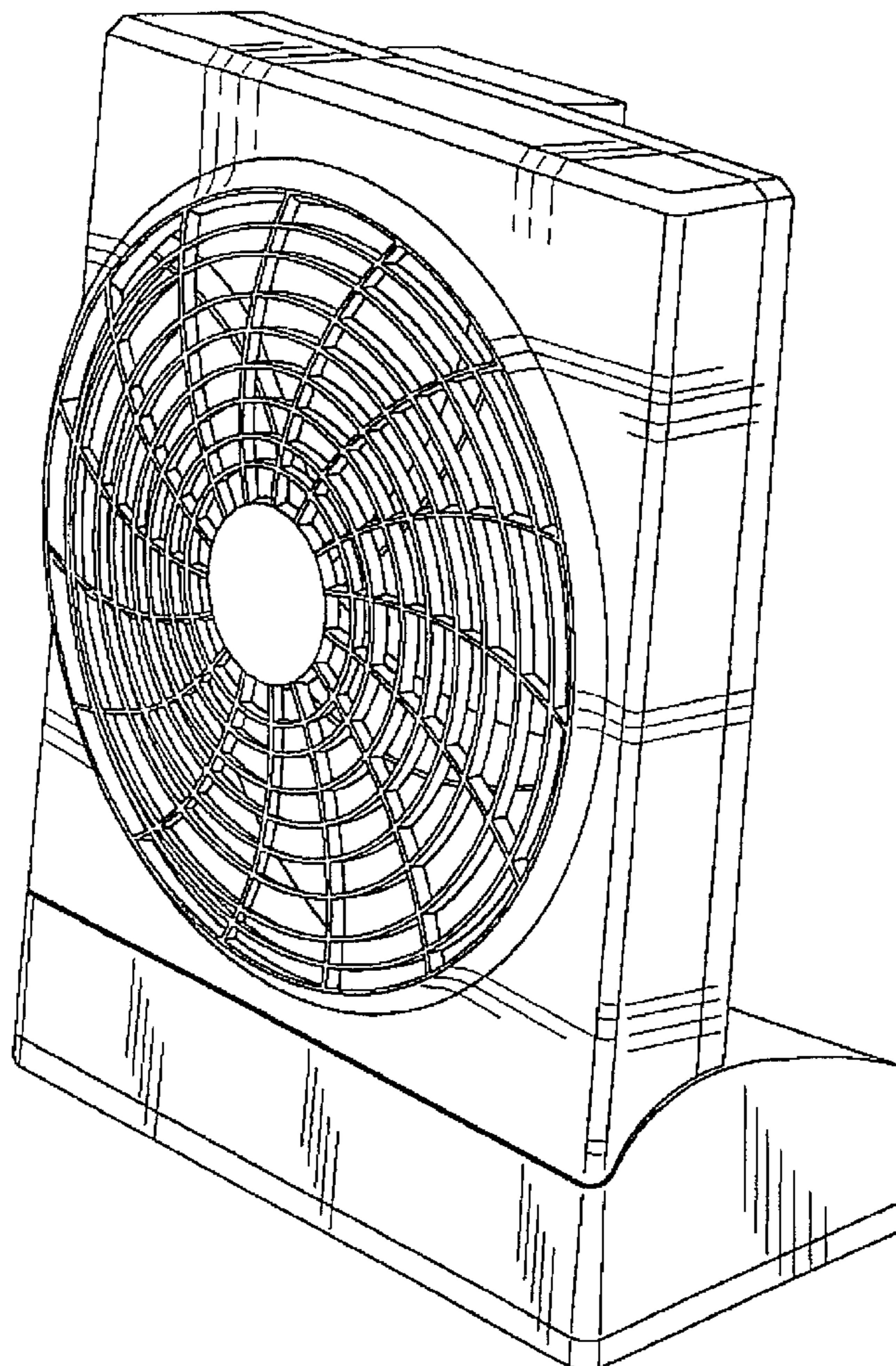
FIG. 3 is a top view of the present design;

FIG. 4 is a front view of the present design;

FIG. 5 is a bottom view of the present design; and

FIG. 6 is a rear view of the present design.

1 Claim, 3 Drawing Sheets



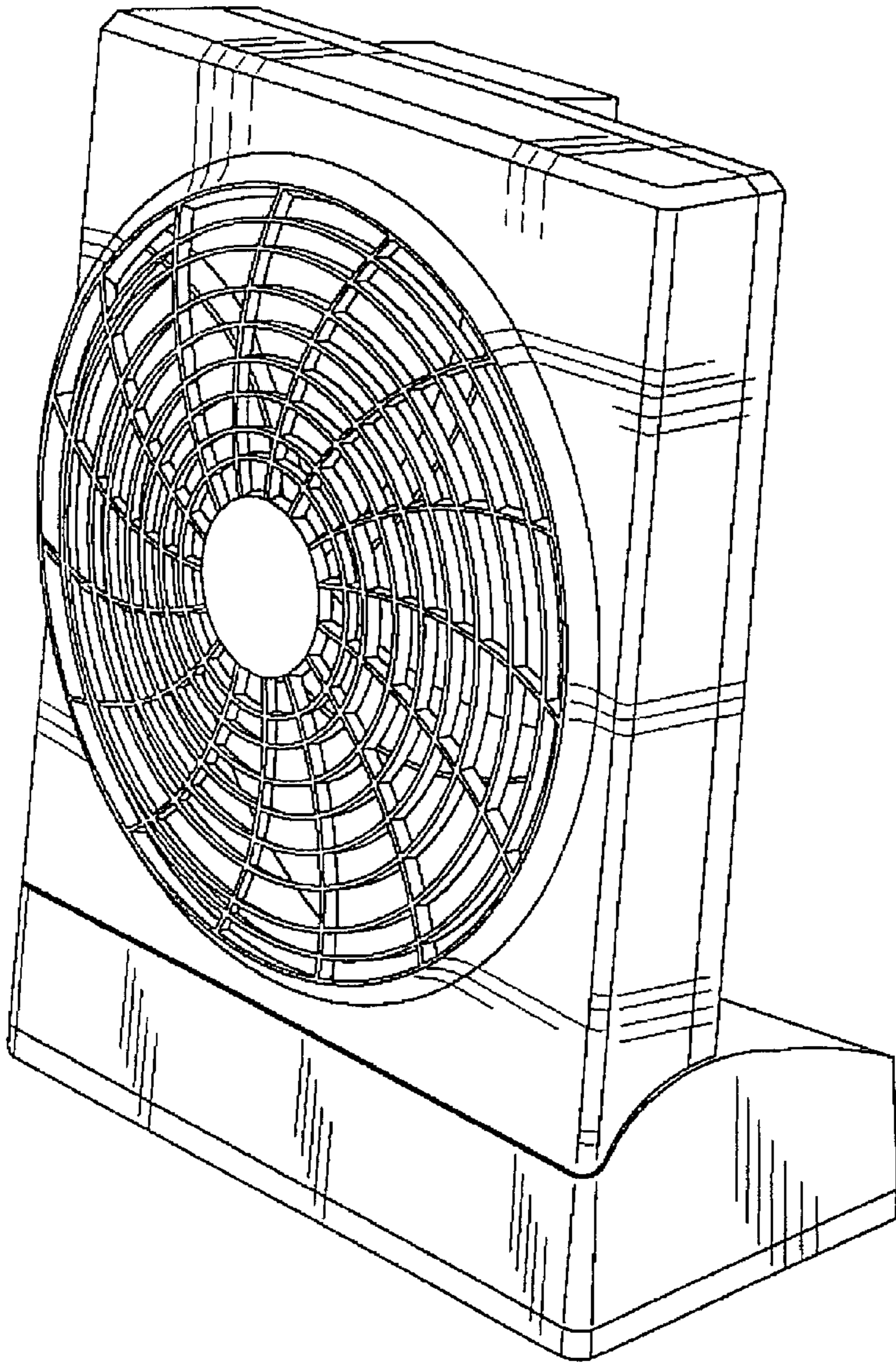


Fig-1

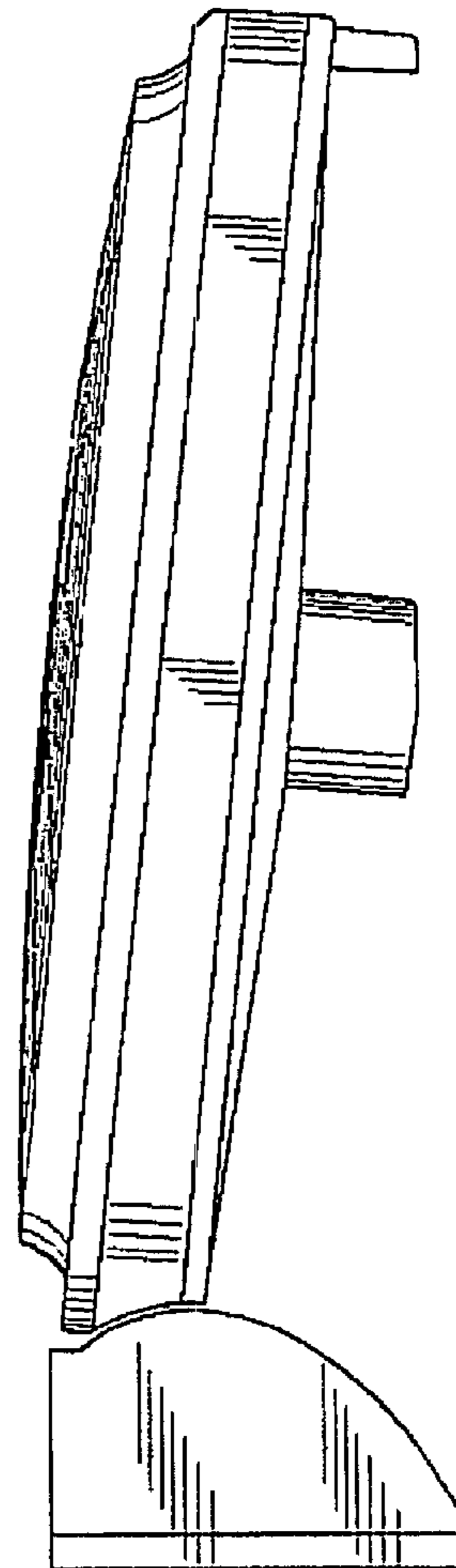


Fig-2

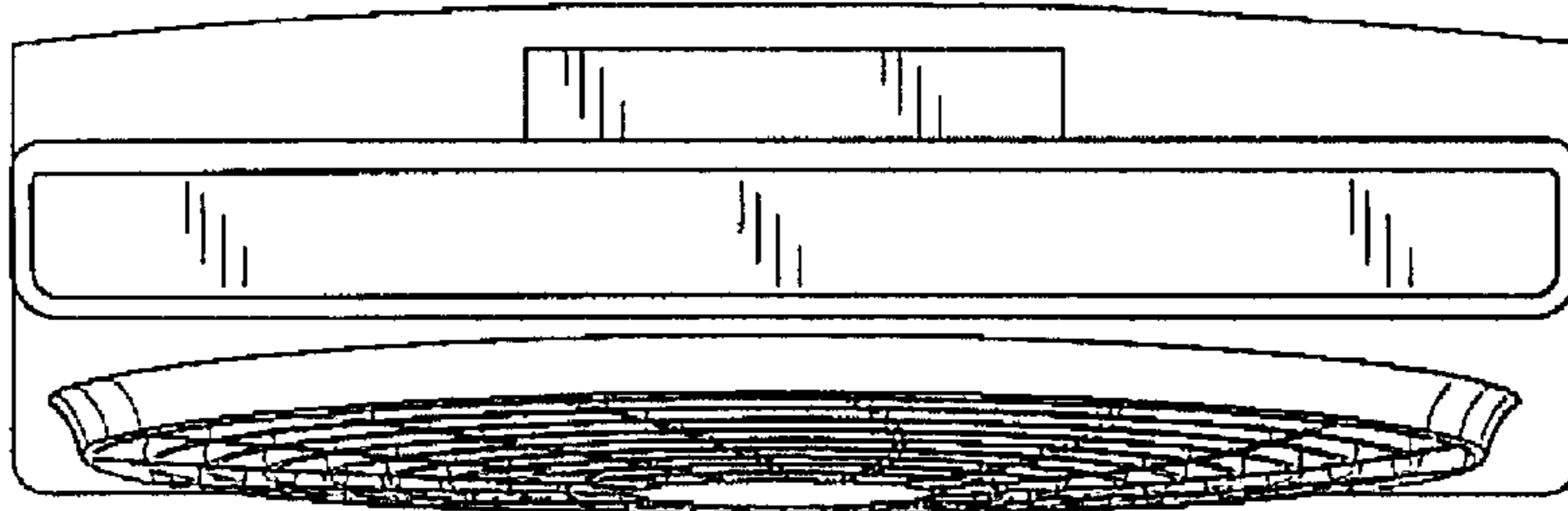


Fig-3

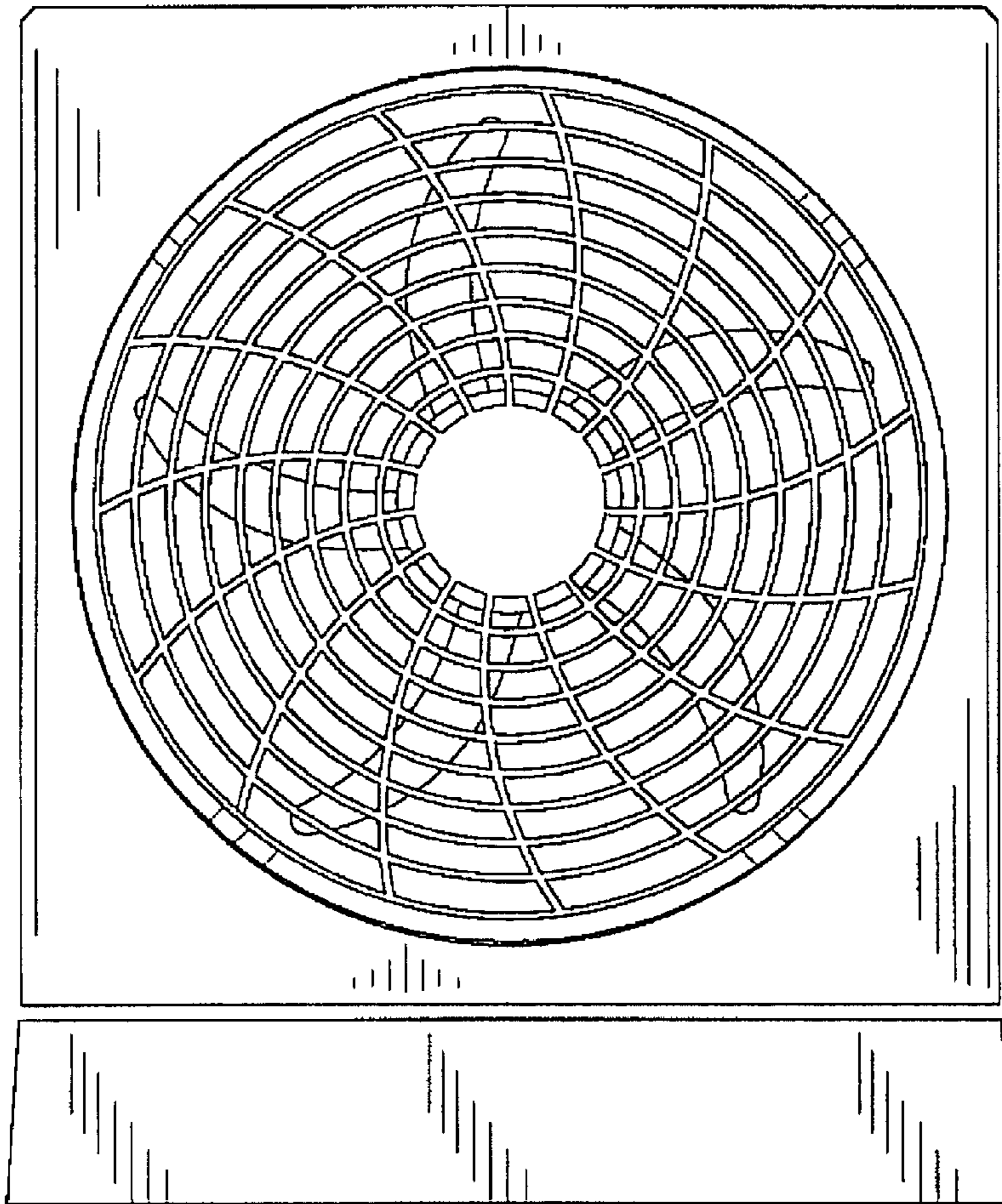


Fig-4

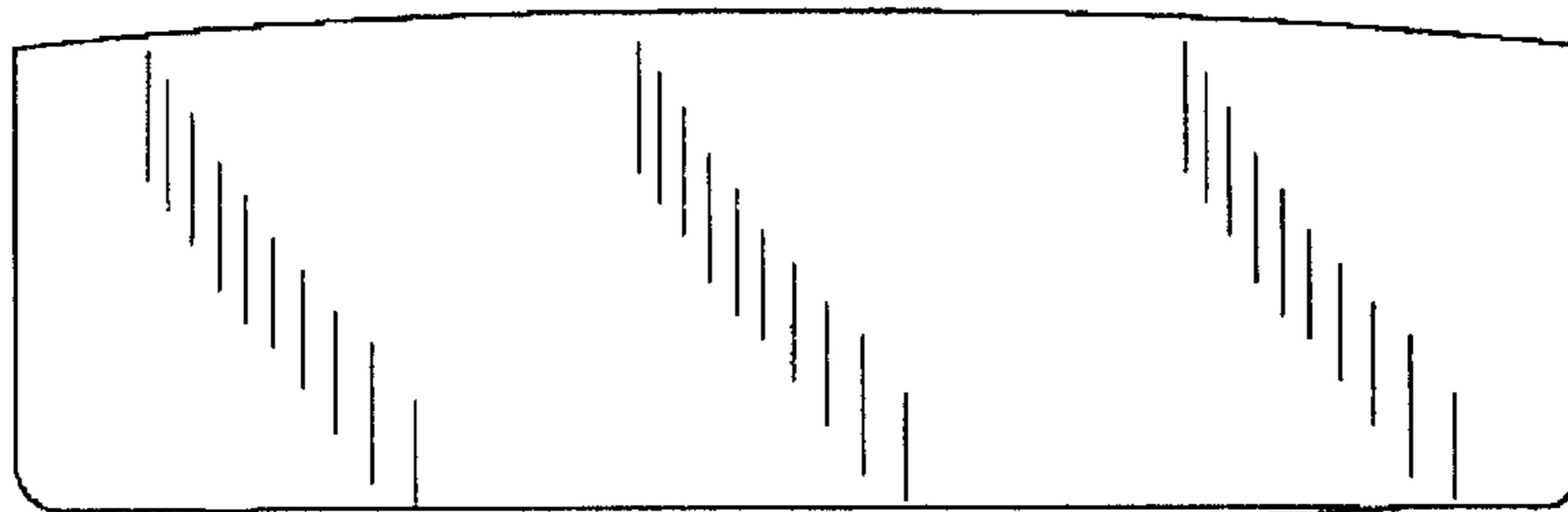


Fig-5

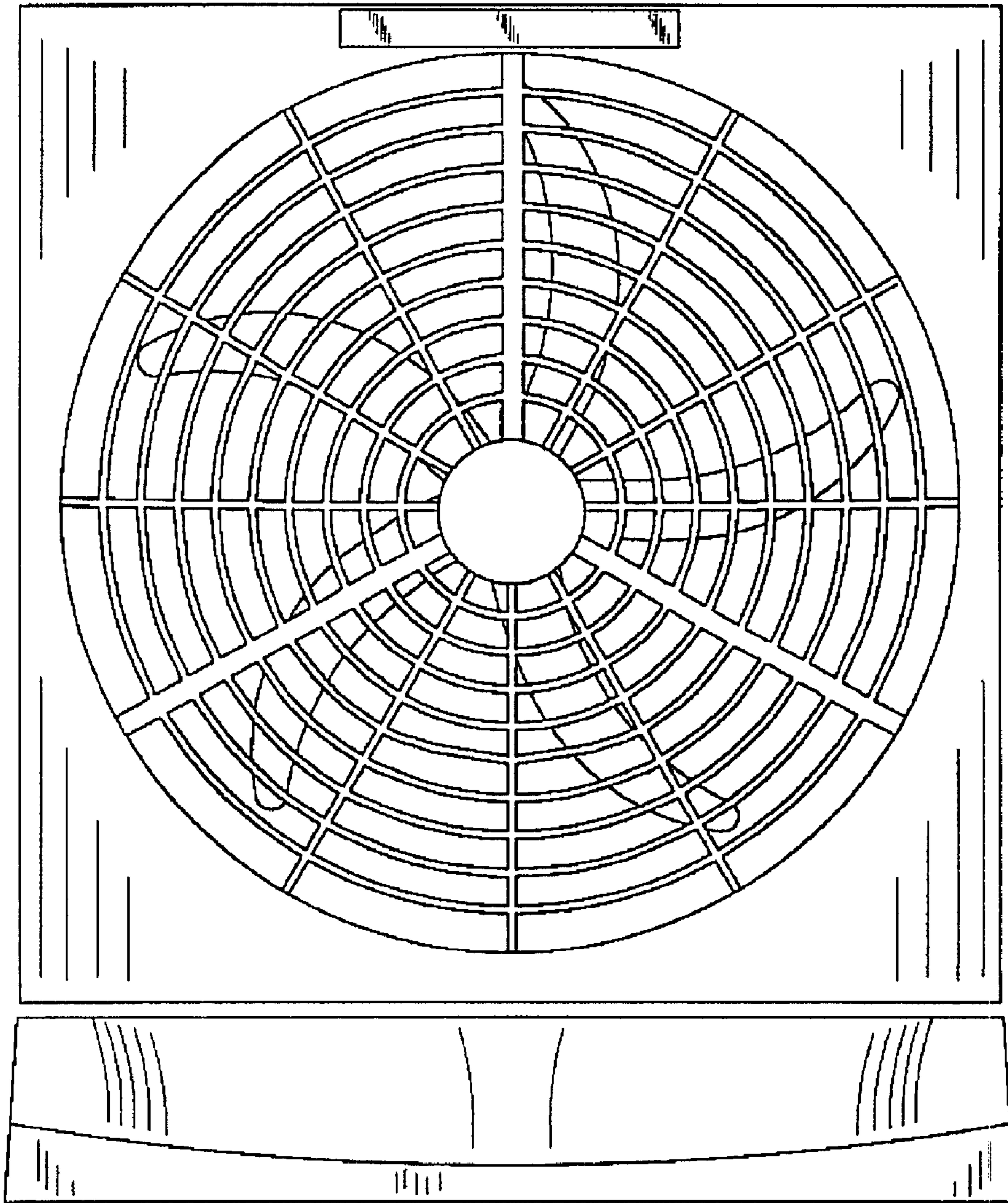


Fig-6