



US00D546435S

(12) **United States Design Patent**
Guzorek

(10) **Patent No.:** **US D546,435 S**

(45) **Date of Patent:** **** Jul. 10, 2007**

(54) **HOUSING FOR AN INLINE VENT FAN**

(75) Inventor: **Steven E. Guzorek**, Kinston, NC (US)

(73) Assignee: **Field Controls, LLC**, Kinston, NC (US)

(**) Term: **14 Years**

(21) Appl. No.: **29/225,061**

(22) Filed: **Mar. 10, 2005**

(51) **LOC (8) Cl.** **23-04**

(52) **U.S. Cl.** **D23/370**

(58) **Field of Classification Search** D23/370,
D23/411; 126/299 D

See application file for complete search history.

(56) **References Cited**

U.S. PATENT DOCUMENTS

4,556,046 A * 12/1985 Riffel et al. 126/299 D

D366,522 S * 1/1996 Lagace et al. D23/370

* cited by examiner

Primary Examiner—Lisa Lichtenstein

(74) *Attorney, Agent, or Firm*—Wood, Phillips, Katz, Clark & Mortimer

(57) **CLAIM**

The ornamental design for a housing for an inline vent fan, as shown and described.

DESCRIPTION

FIG. 1 is a front, top and side perspective view of my design for a housing for an inline vent fan;

FIG. 2 is a front elevation view thereof;

FIG. 3 is a plan view thereof;

FIG. 4 is a rear elevation view thereof;

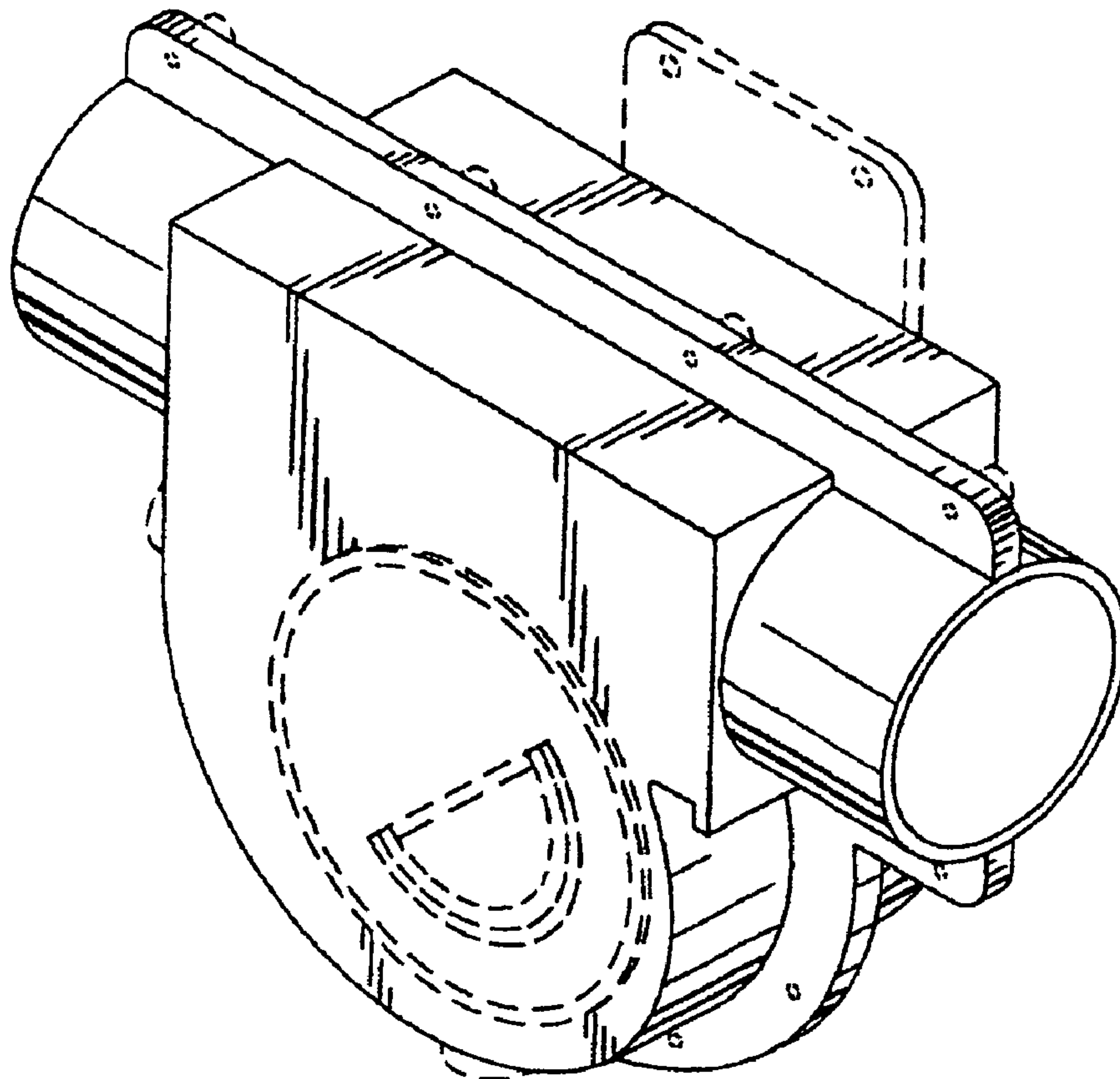
FIG. 5 is a bottom view thereof;

FIG. 6 is an elevation view thereof from the same side as in FIG. 1; and,

FIG. 7 is an elevation view thereof from the side opposite that in FIG. 1.

The portions of the housing for an inline vent fan shown in dotted lines do not constitute a part of the claimed design.

1 Claim, 3 Drawing Sheets



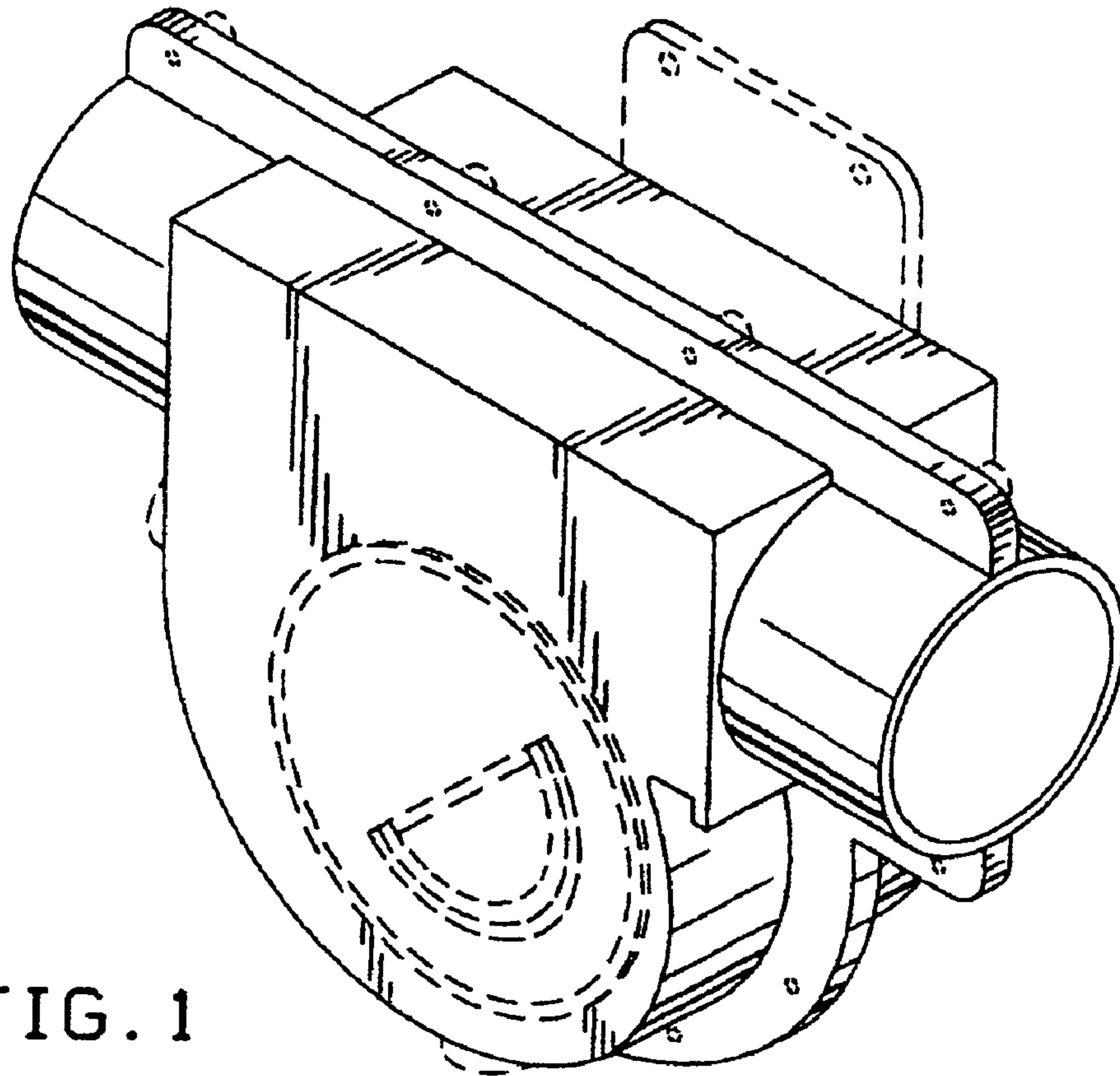


FIG. 1

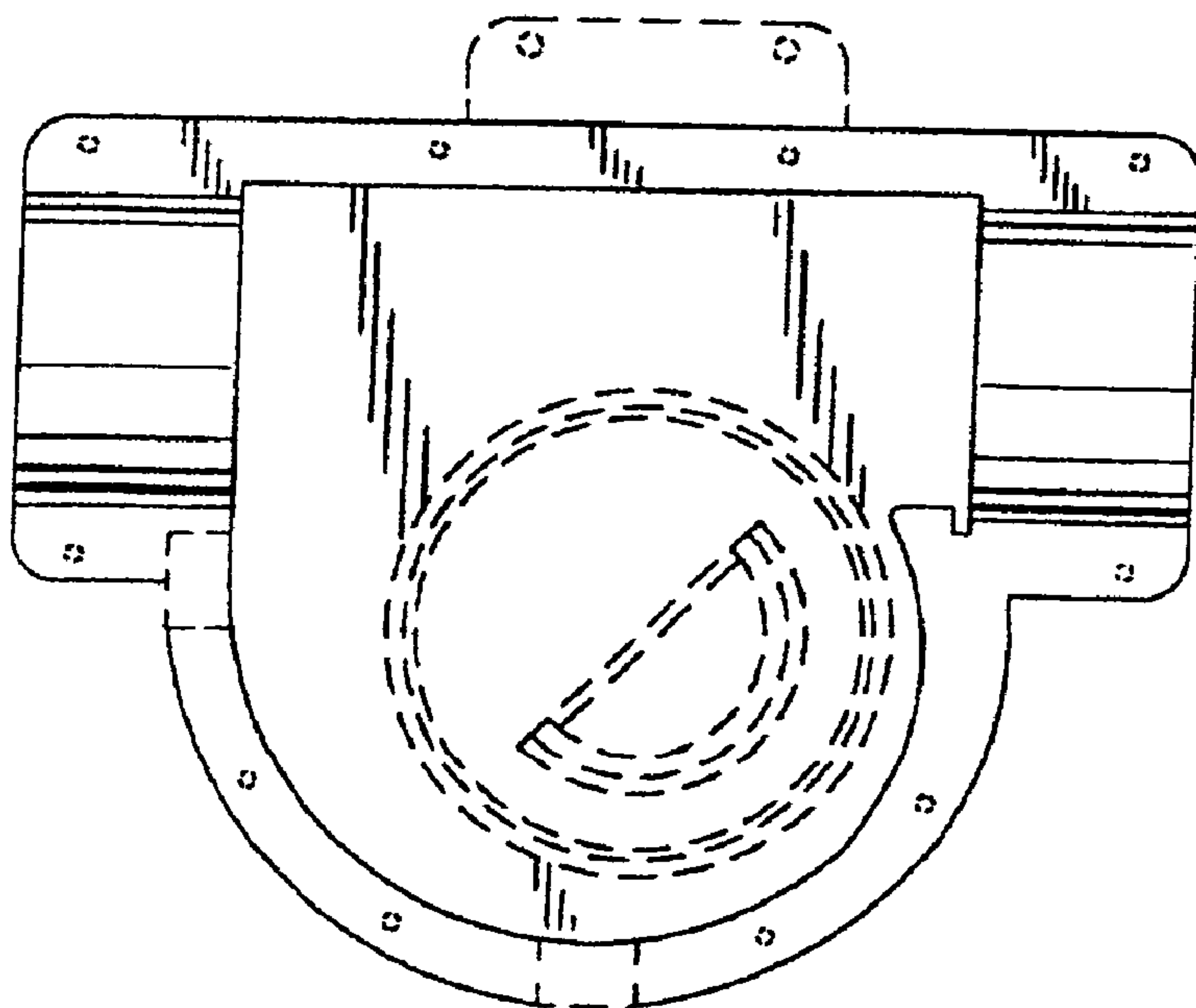


FIG. 2

FIG. 3

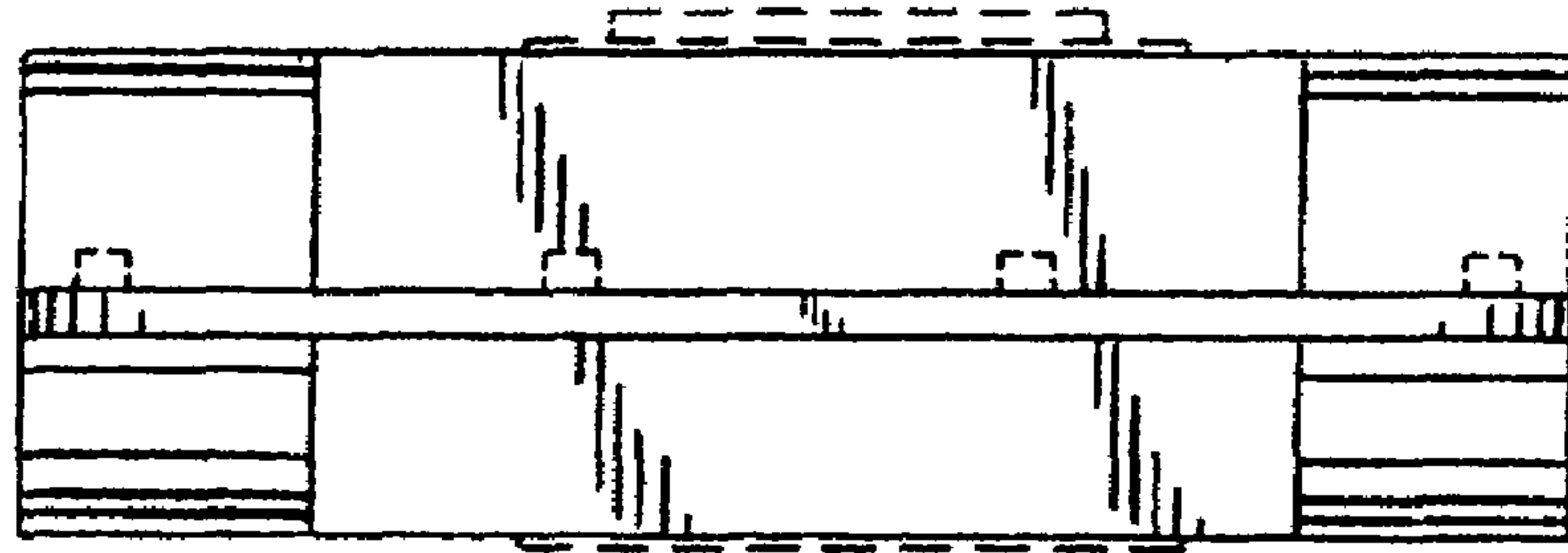


FIG. 4

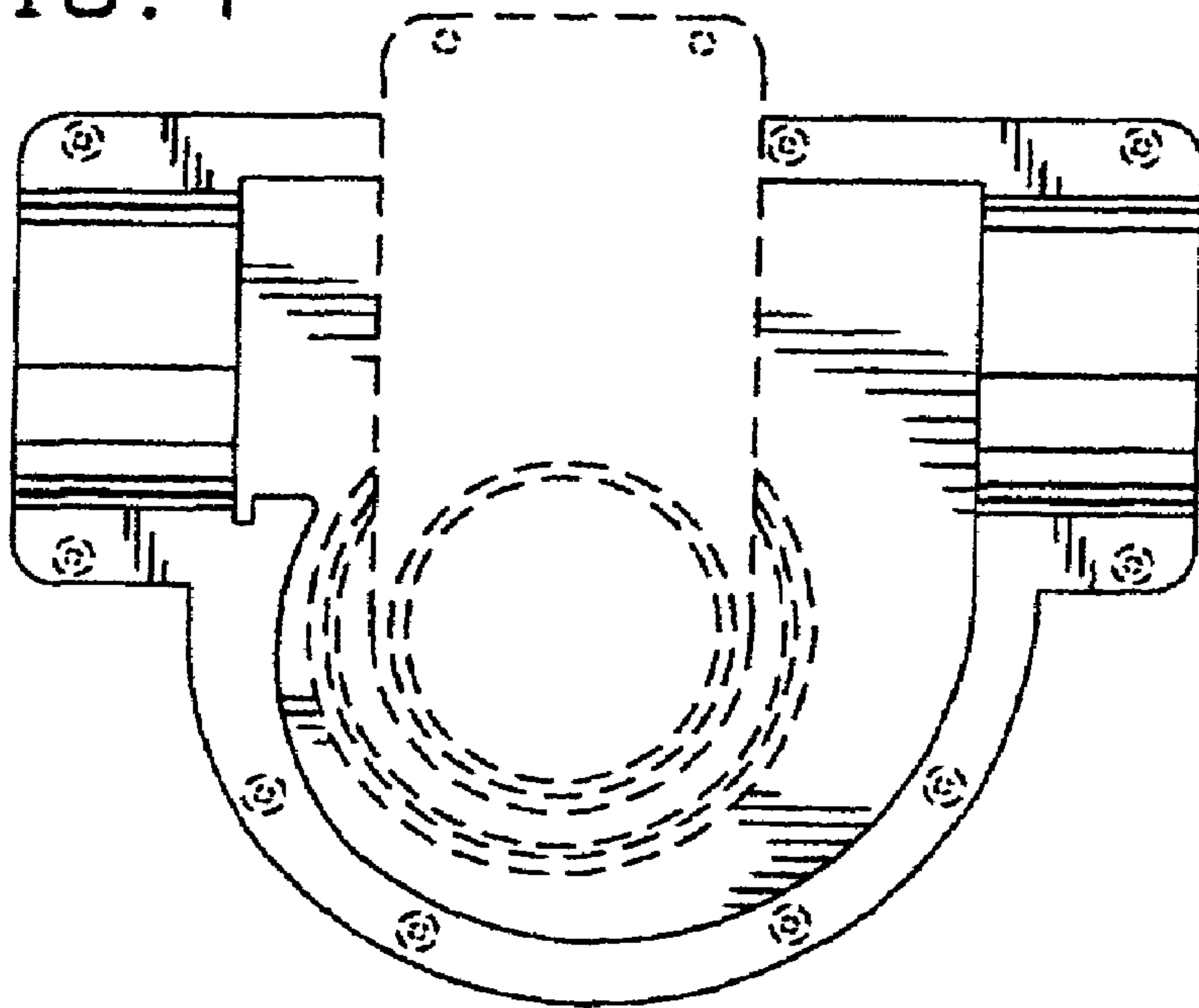


FIG. 5

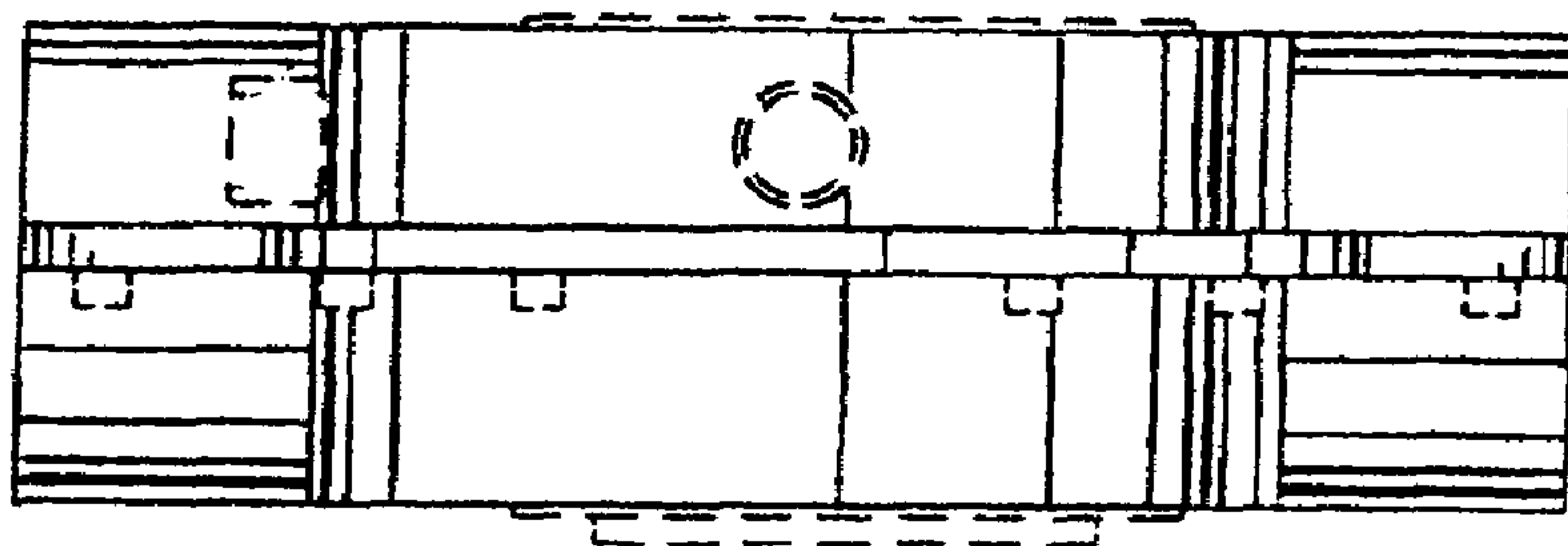


FIG. 7

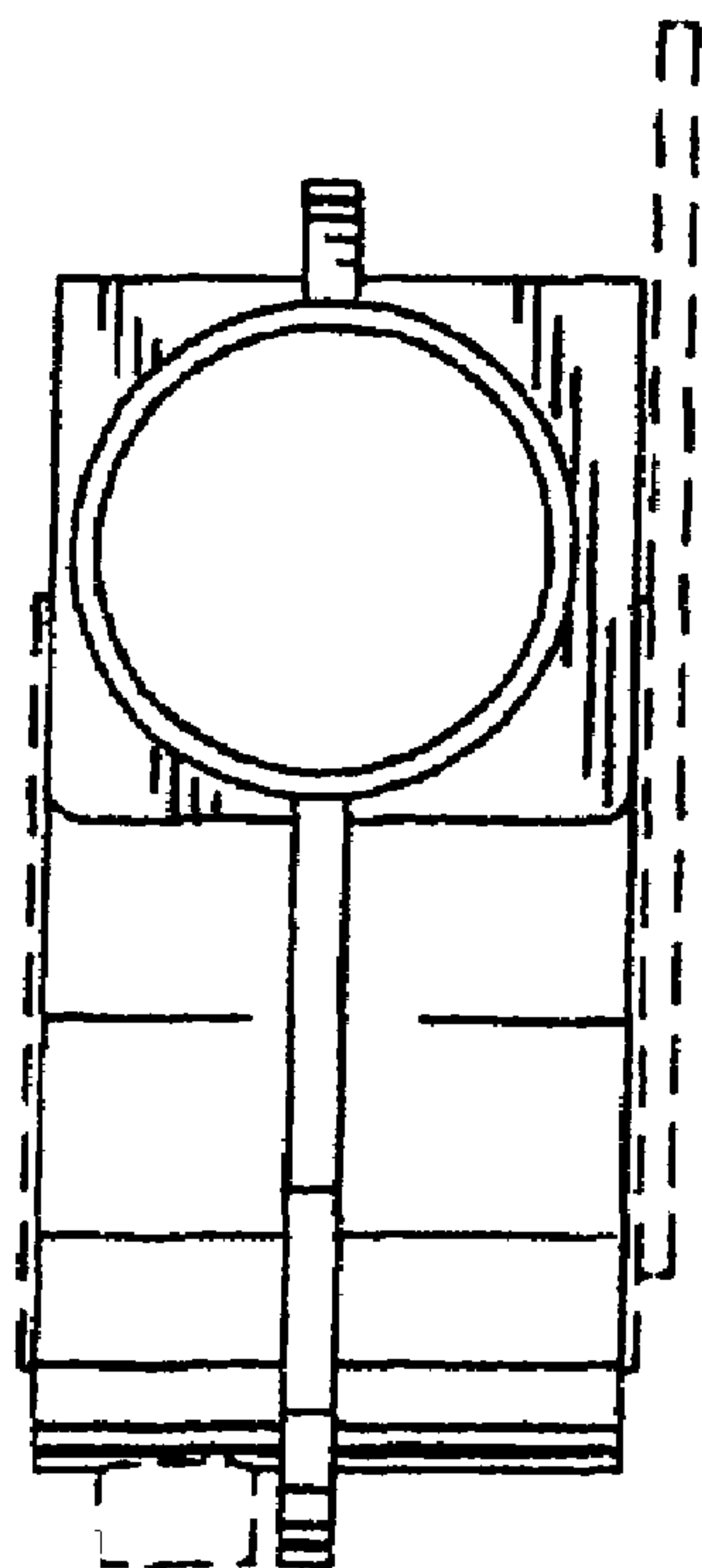
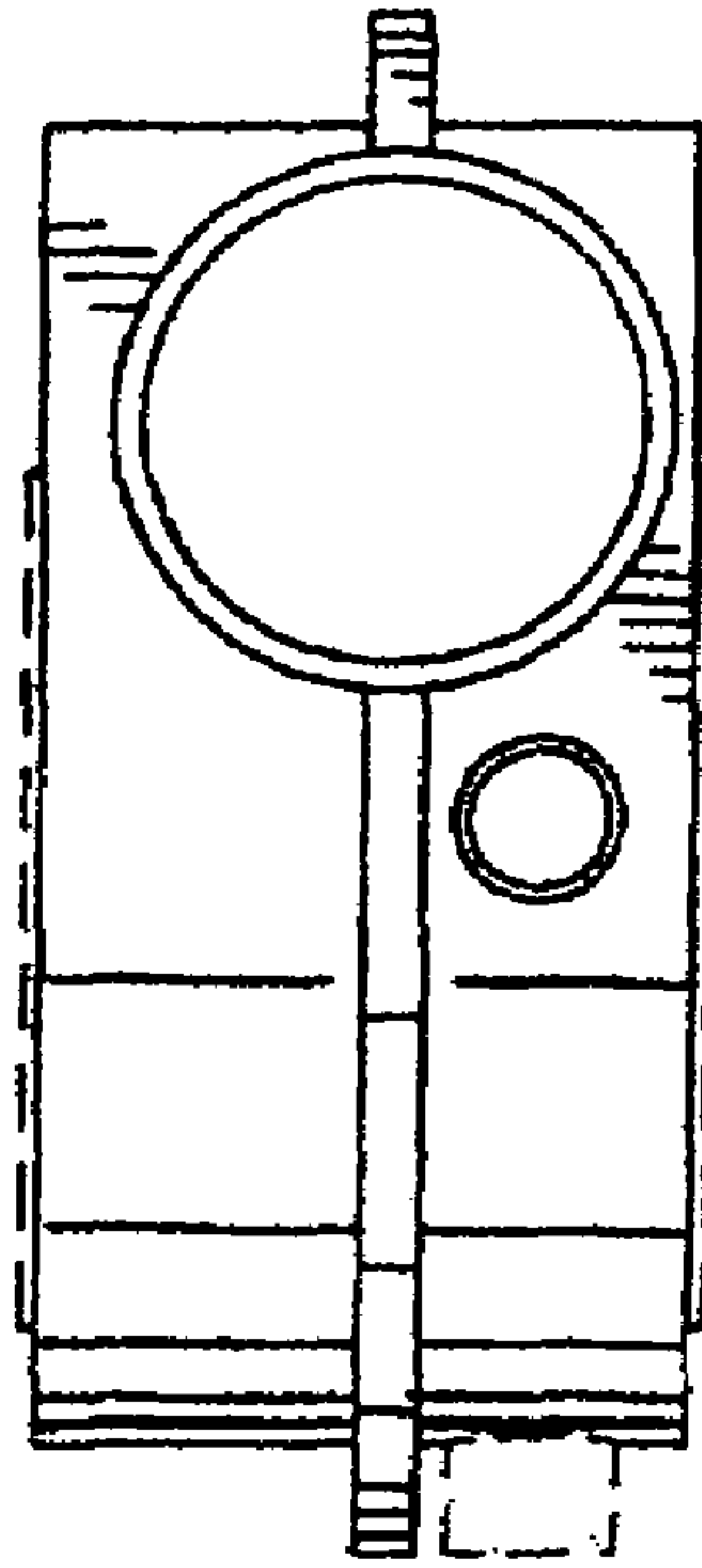


FIG. 6