

US00D546431S

(12) **United States Design Patent** (10) **Patent No.:** **US D546,431 S**
Quinn et al. (45) **Date of Patent:** **** Jul. 10, 2007**

(54) **AIR DRYER RESERVOIR**

(75) Inventors: **Leonard A. Quinn**, Lagrange, OH (US); **Fred W. Hoffman**, Columbia Station, OH (US)

(73) Assignee: **Bendix Commercial Vehicle Systems LLC**, Elyria, OH (US)

(**) Term: **14 Years**

(21) Appl. No.: **29/203,714**

(22) Filed: **Apr. 19, 2004**

(51) **LOC (8) Cl.** **23-04**

(52) **U.S. Cl.** **D23/359**

(58) **Field of Classification Search** D23/355,
D23/364-5, 356, 359; 55/385.3, DIG. 17;
96/147; 34/80

See application file for complete search history.

(56) **References Cited**

U.S. PATENT DOCUMENTS

341,224 A	5/1886	Reiber	
4,572,725 A	2/1986	Kojima	
4,655,801 A	4/1987	Kojima et al.	
4,673,419 A	6/1987	Kojima	
4,764,189 A	8/1988	Yanagawa et al.	
5,252,034 A	10/1993	Sweet	
5,286,283 A	2/1994	Goodell	
5,595,588 A	1/1997	Blevins	
5,607,500 A	3/1997	Shamine et al.	
5,622,544 A *	4/1997	Shamine et al.	96/134
5,961,698 A	10/1999	Dossaji et al.	
6,076,272 A	6/2000	Conklin, III et al.	
6,094,836 A	8/2000	Mahoney et al.	
6,322,159 B1	11/2001	Eberling	
6,322,161 B1	11/2001	Maslonka et al.	
6,450,587 B1	9/2002	MacGregor et al.	
6,585,806 B2	7/2003	Quinn et al.	
6,878,194 B2 *	4/2005	Hoffman et al.	96/147
7,100,305 B2 *	9/2006	Hoffman et al.	34/351
2002/0189456 A1	12/2002	Hoffman et al.	

* cited by examiner

Primary Examiner—Robin Webster

(74) *Attorney, Agent, or Firm*—Calfee, Halter & Griswold LLP

(57) **CLAIM**

The ornamental design for an air dryer reservoir, as shown.

DESCRIPTION

FIG. 1 is a perspective view of an air dryer reservoir showing our new design;

FIG. 2 is a side view of the air dryer reservoir shown in FIG. 1;

FIG. 3 is a front view of the air dryer reservoir shown in FIG. 1;

FIG. 4 is a side view of the air dryer reservoir shown in FIG. 1;

FIG. 5 is a back view of the air dryer reservoir shown in FIG. 1;

FIG. 6 is a top view of the air dryer reservoir shown in FIG. 1;

FIG. 7 is bottom view of the air dryer reservoir shown in FIG. 1;

FIG. 8 is a perspective view of an alternate embodiment thereof;

FIG. 9 is a side view of the air dryer reservoir shown in FIG. 8;

FIG. 10 is a front view of the air dryer reservoir shown in FIG. 8;

FIG. 11 is a side view of the air dryer reservoir shown in FIG. 8;

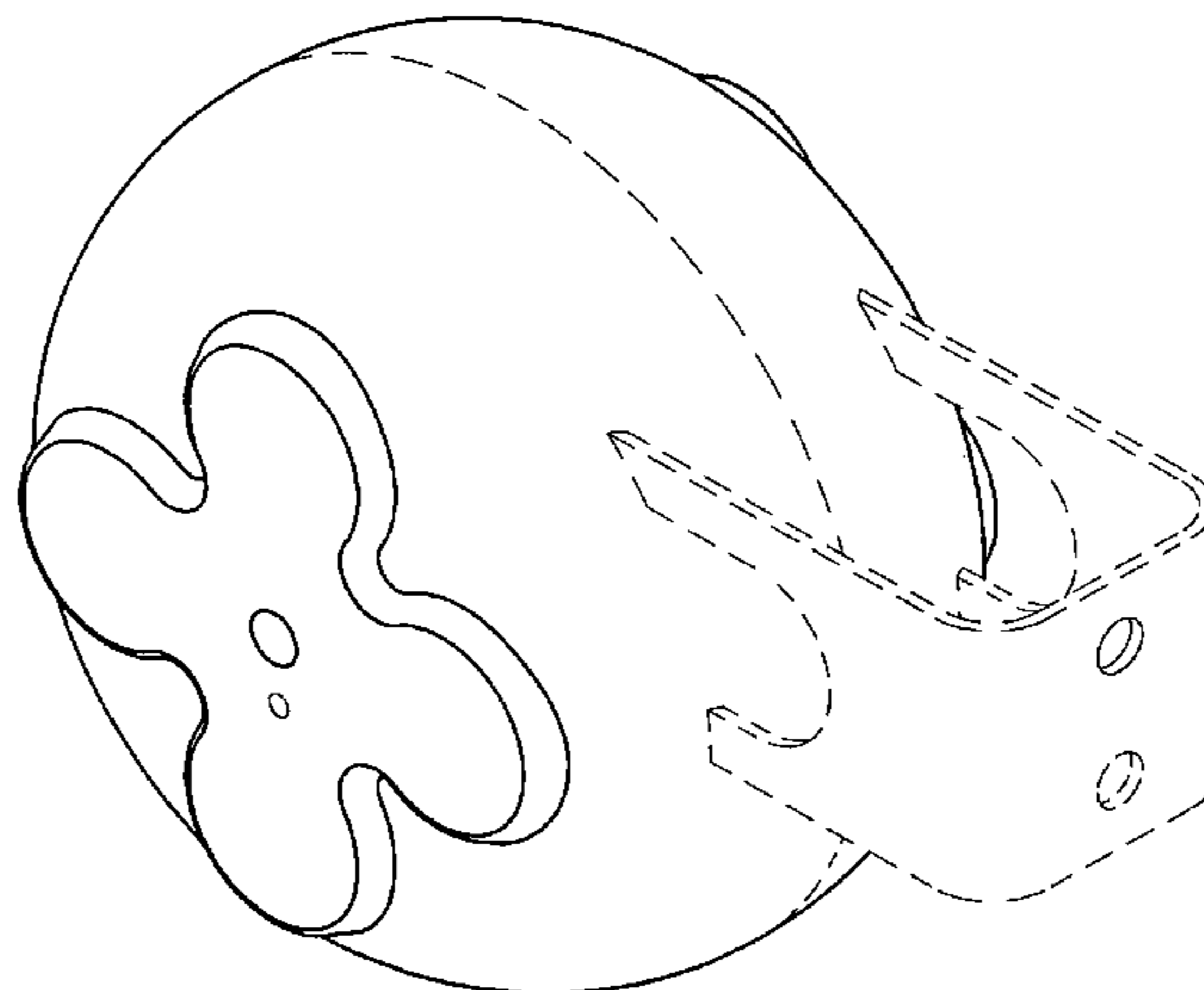
FIG. 12 is a back view of the air dryer reservoir shown in FIG. 8;

FIG. 13 is a top view of the air dryer reservoir shown in FIG. 8; and,

FIG. 14 is a bottom view of the air dryer reservoir shown in FIG. 8.

The portions of the Figures shown in phantom lines are not part of the claimed design but are for illustration only.

1 Claim, 8 Drawing Sheets



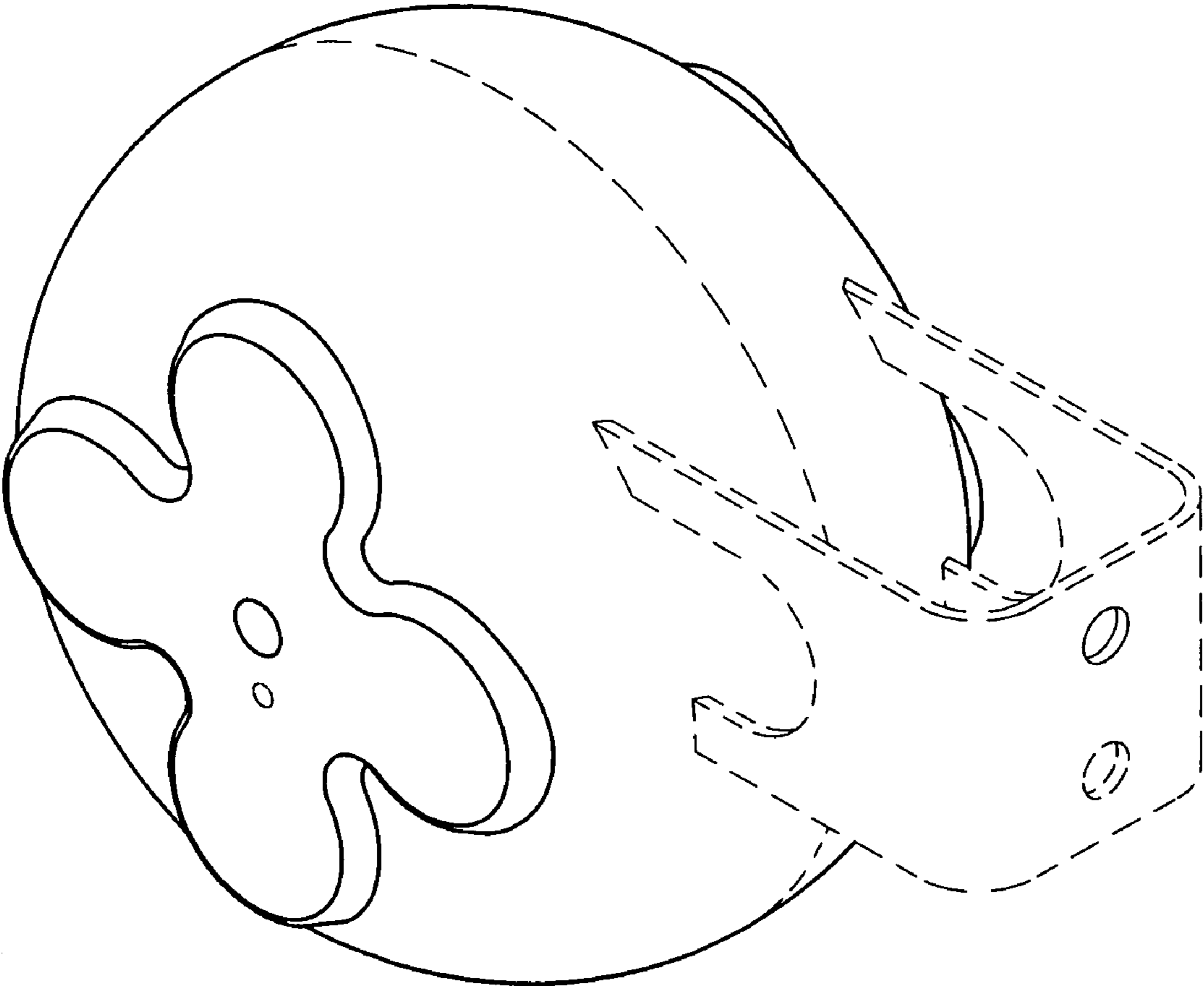


FIG. 1

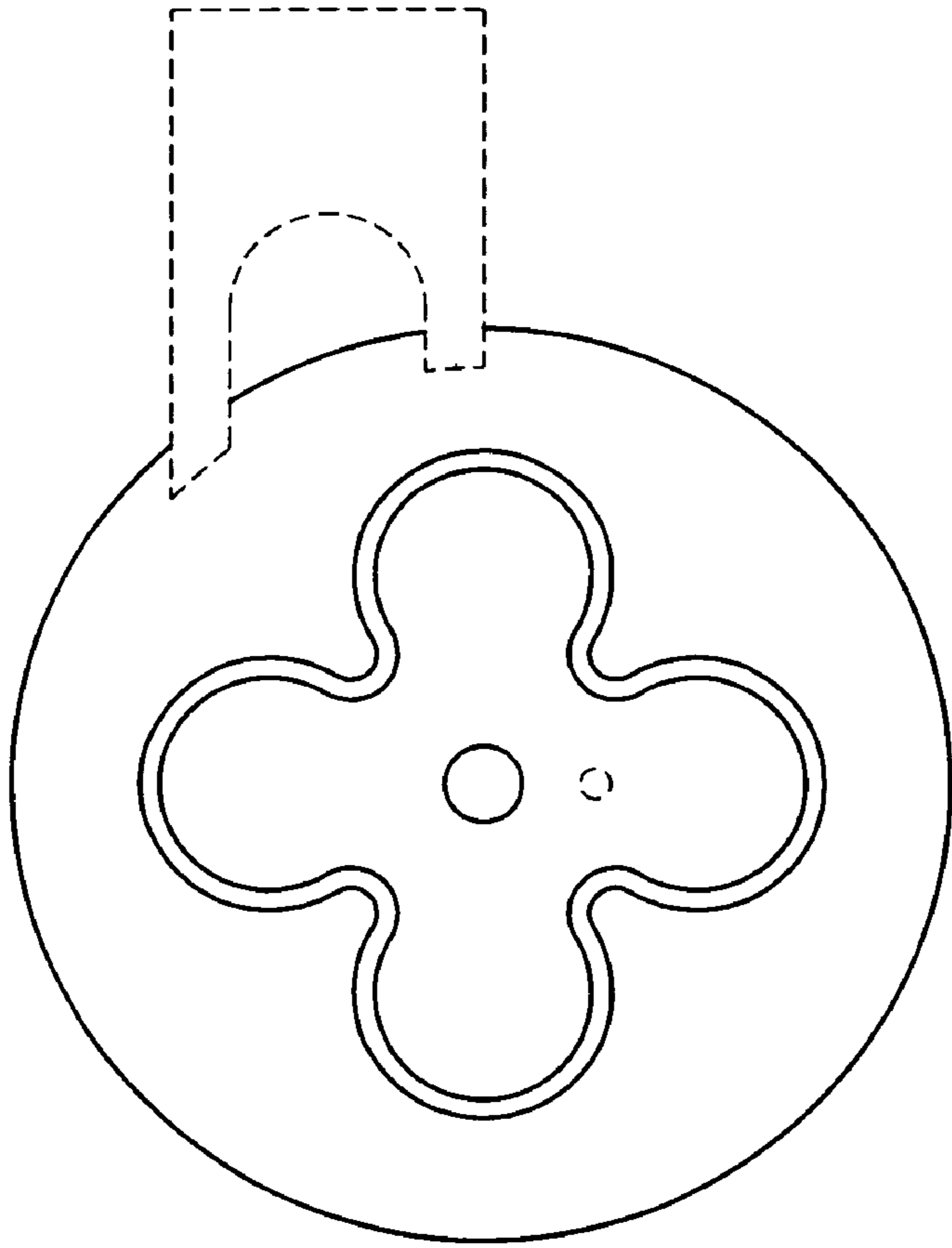


FIG. 2

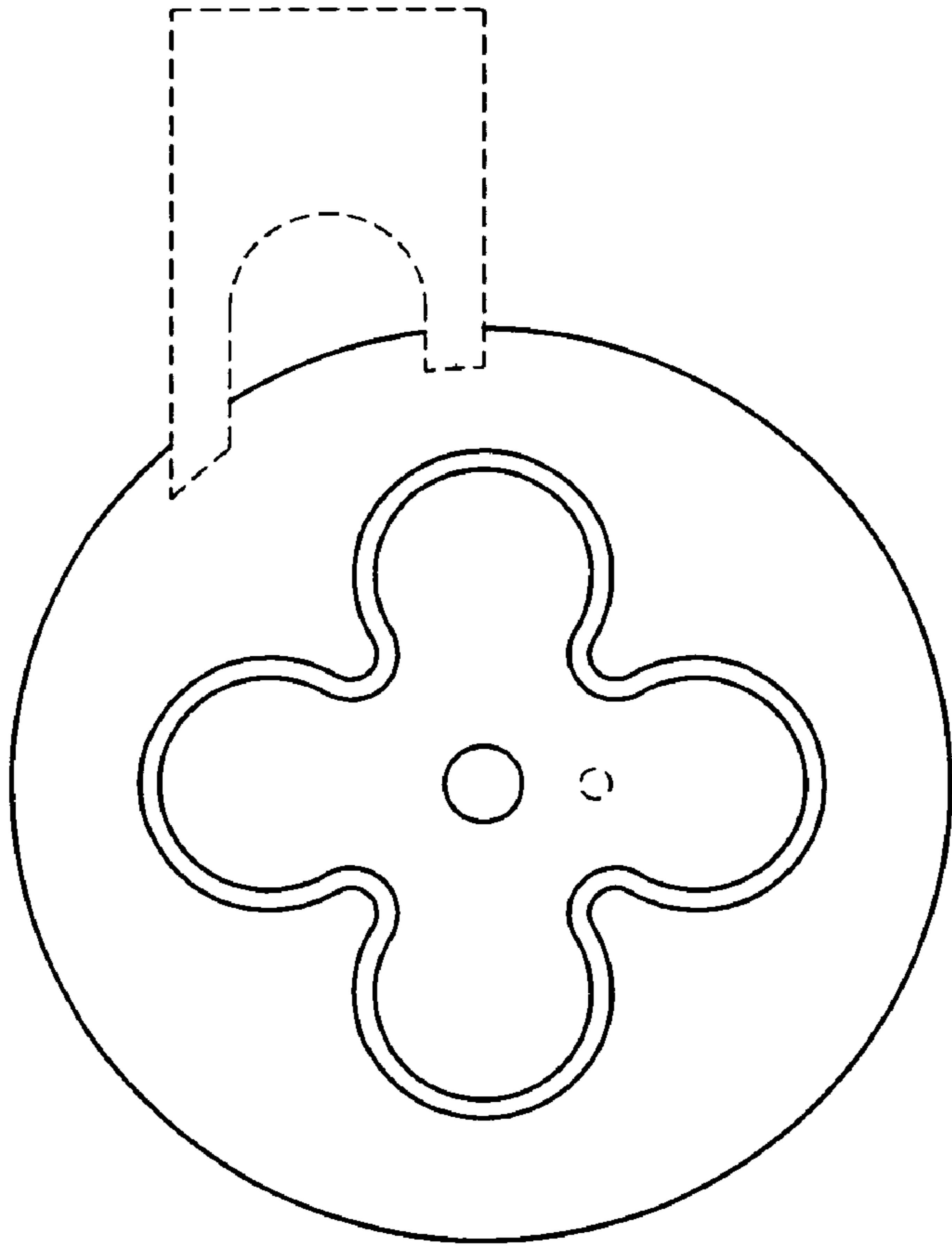


FIG. 3

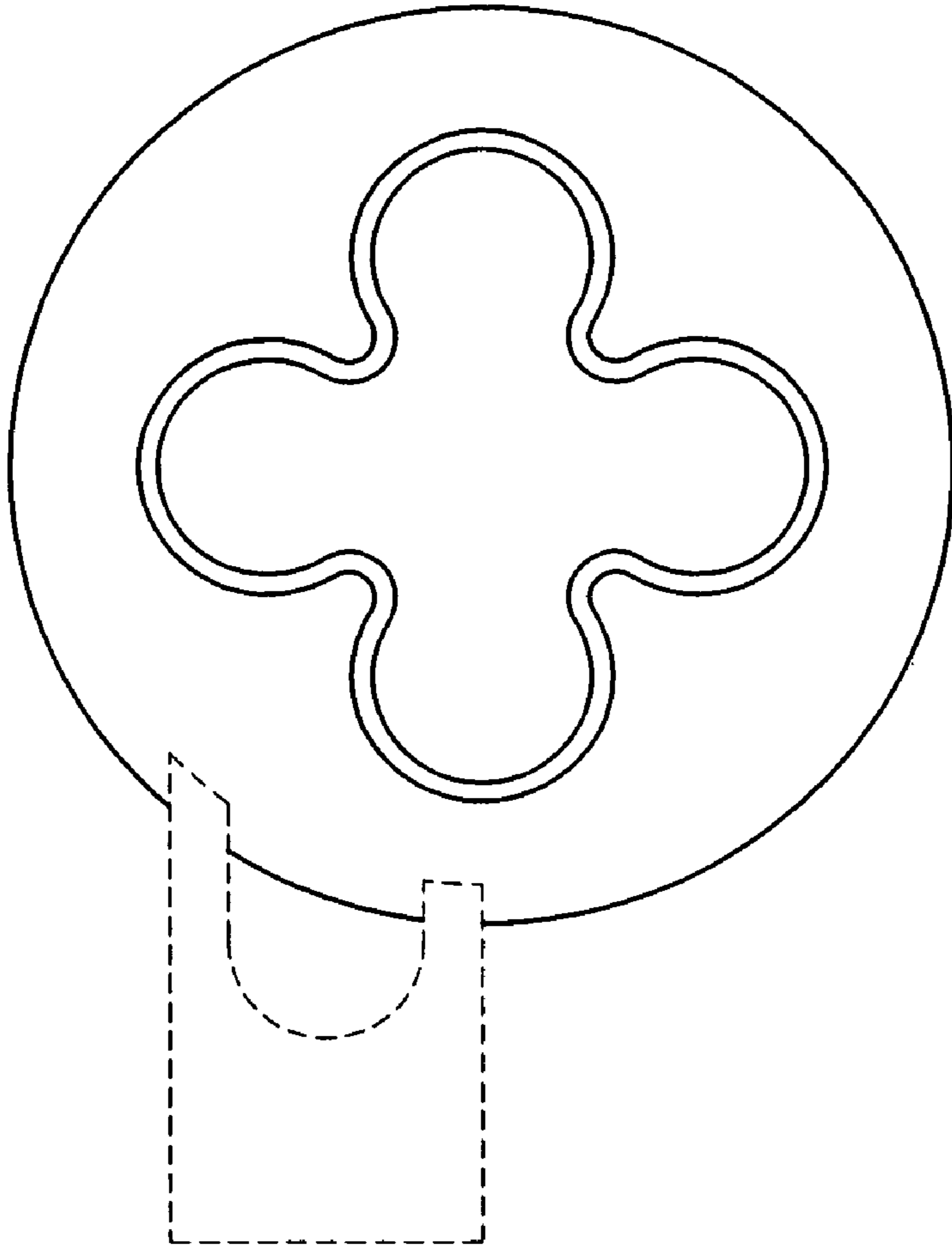


FIG. 5

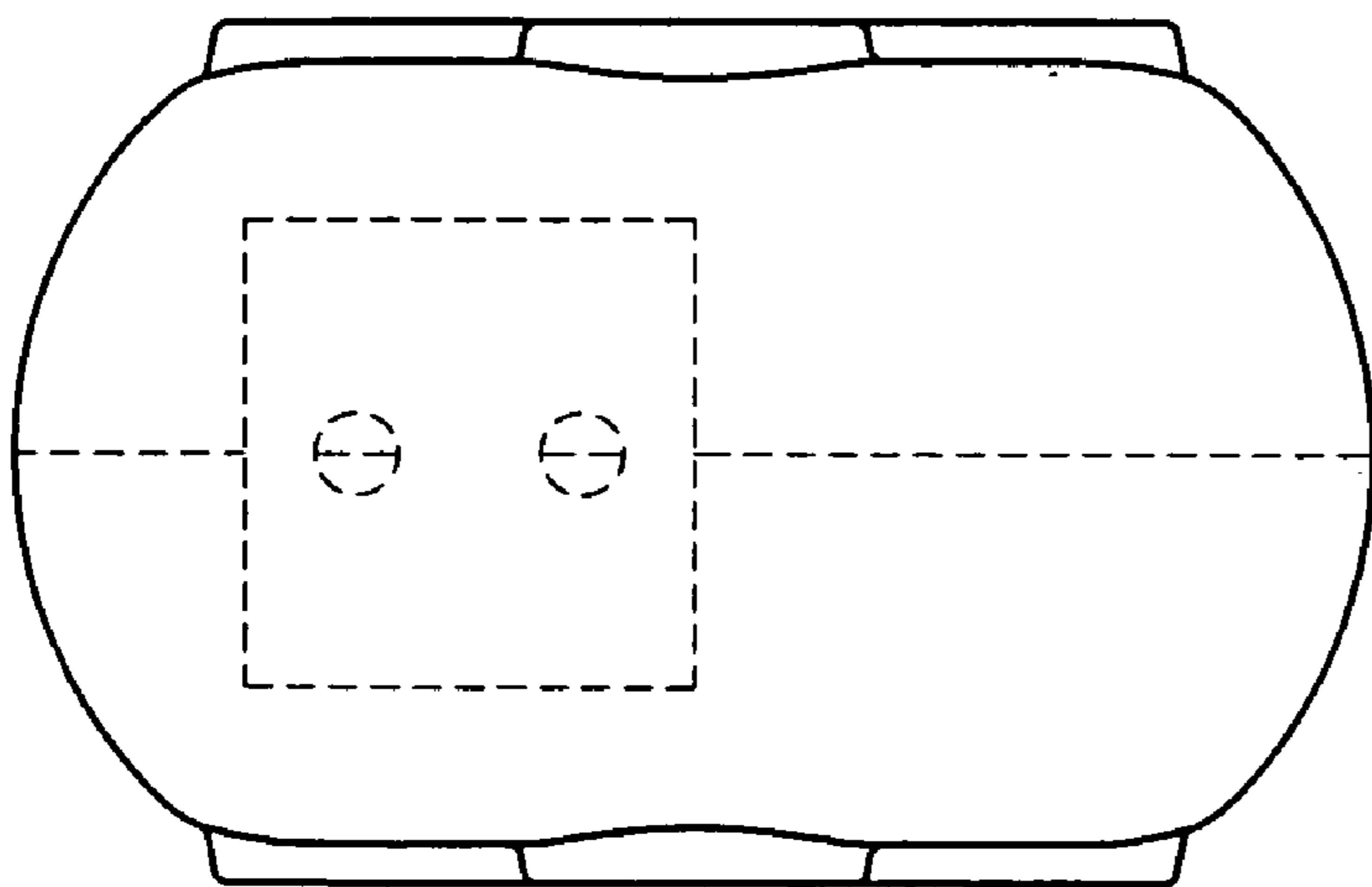


FIG. 4

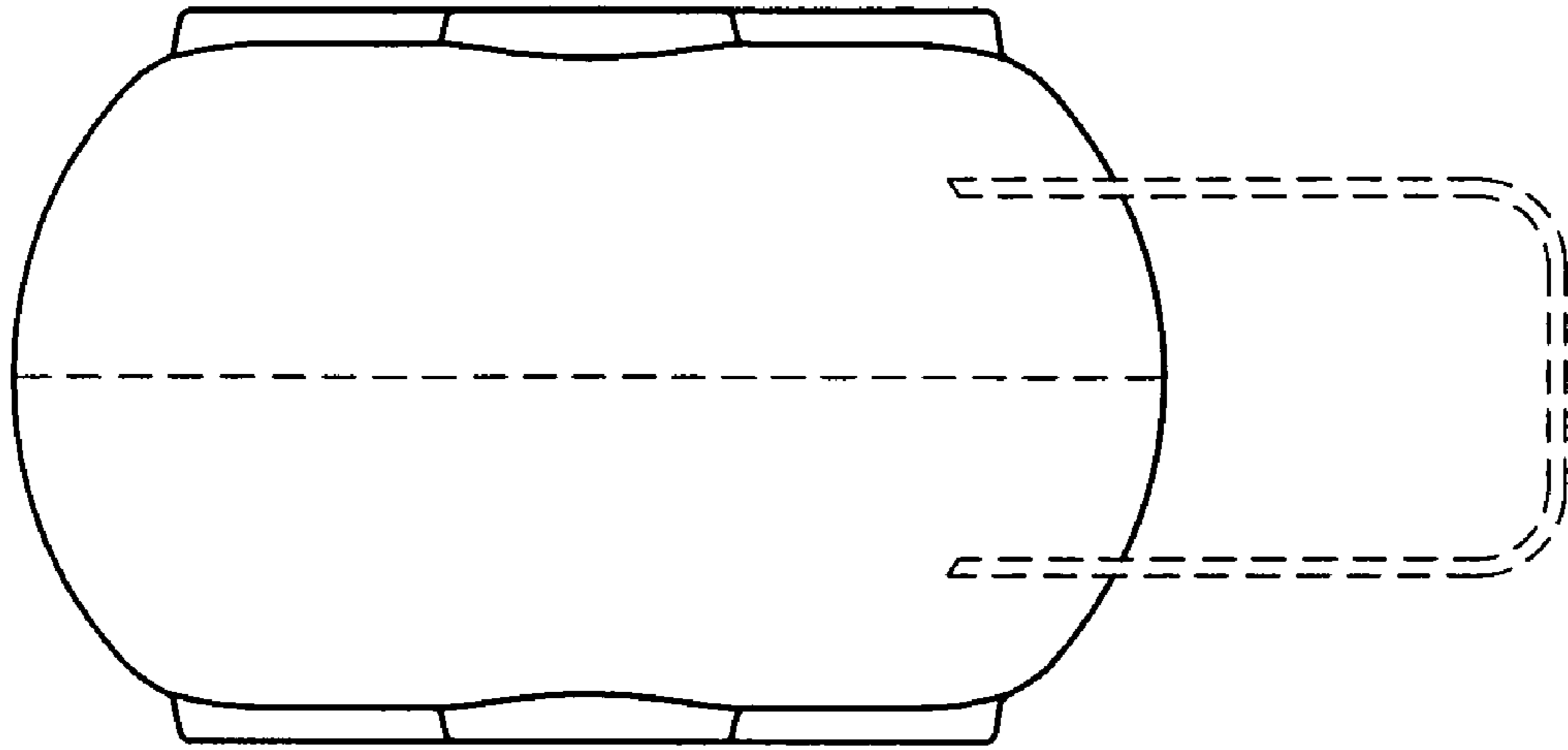


FIG. 6

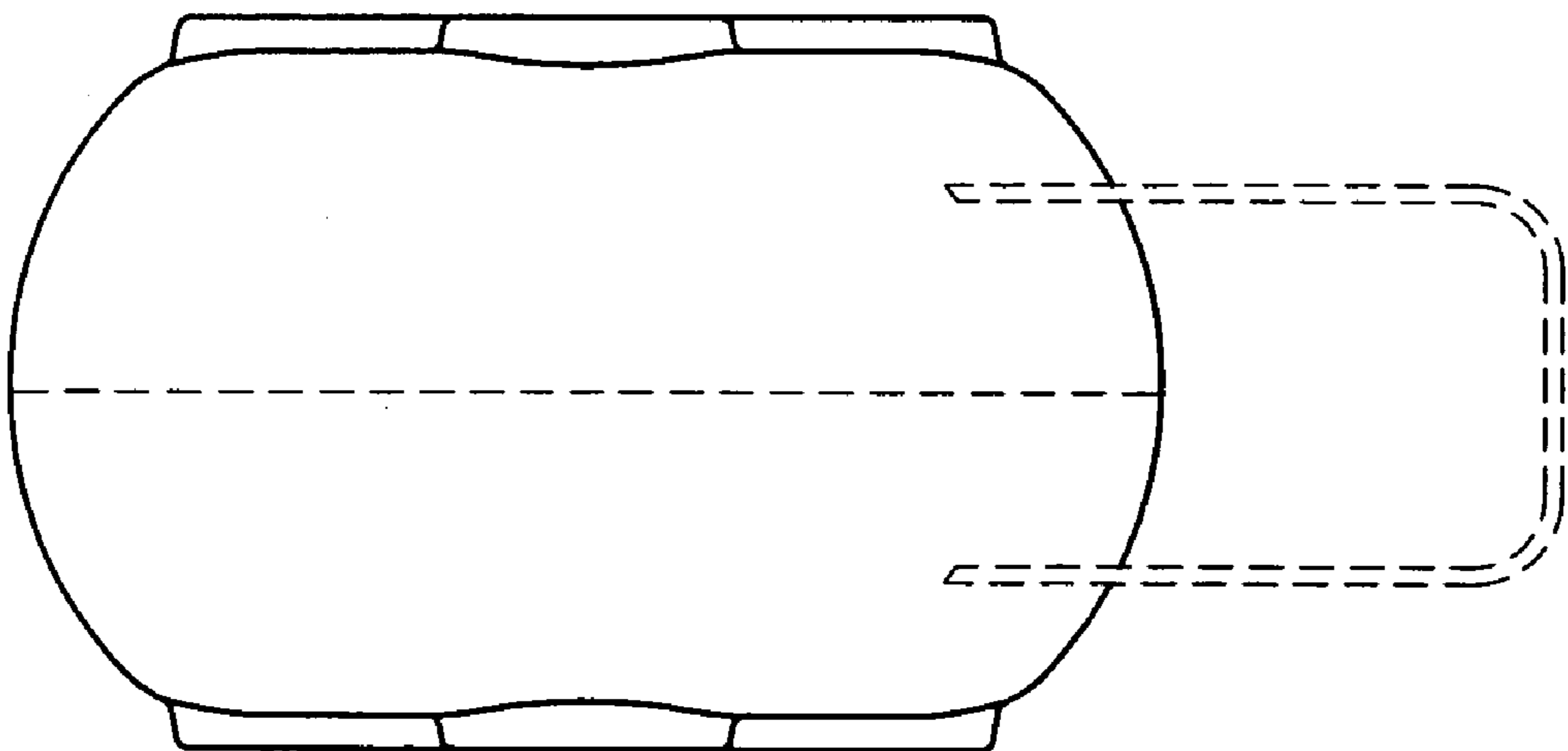


FIG. 7

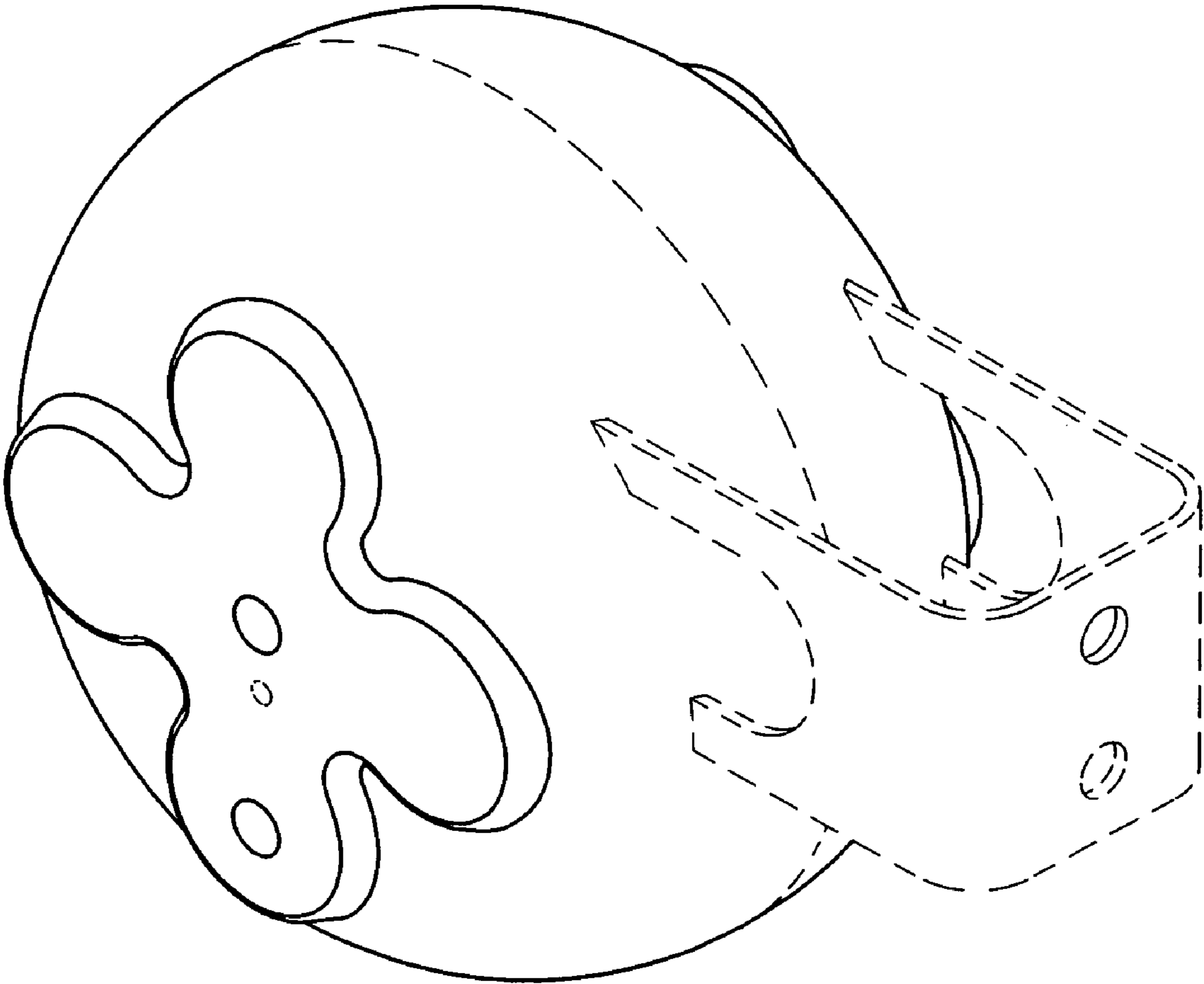


FIG. 8

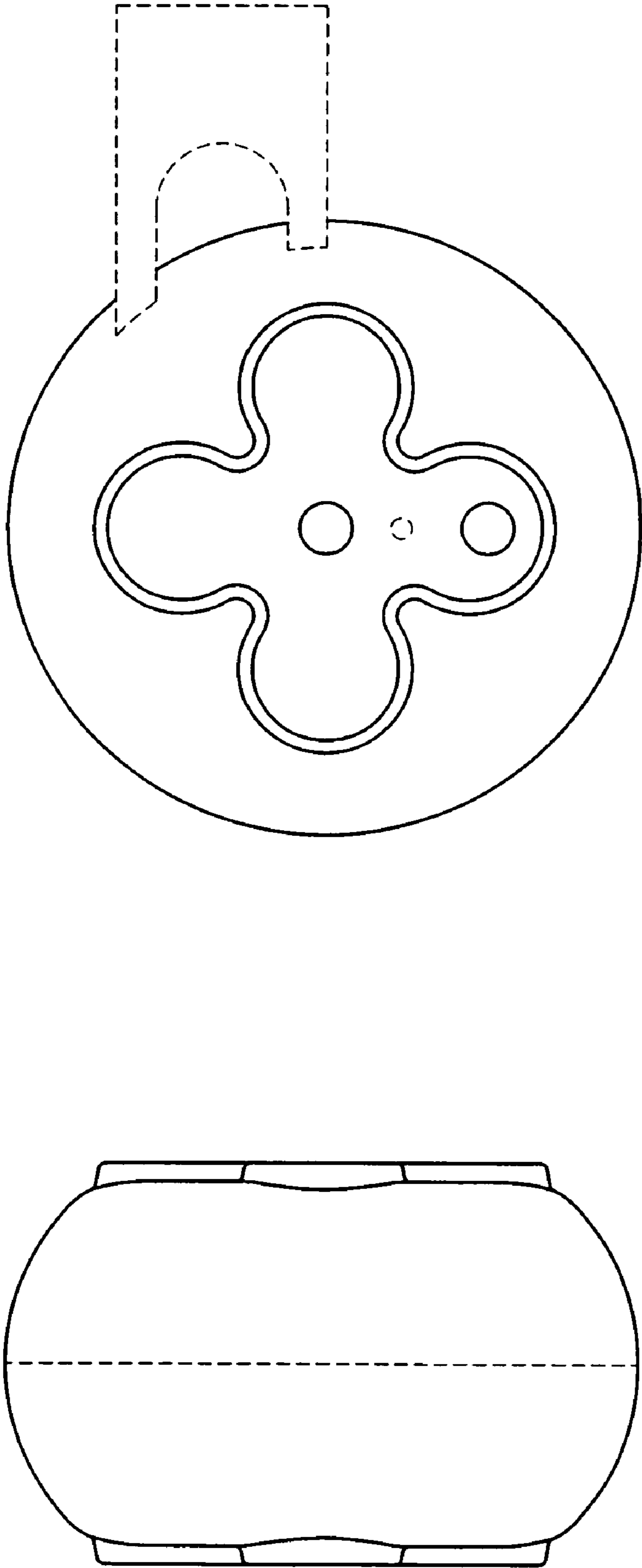


FIG. 10

FIG. 9

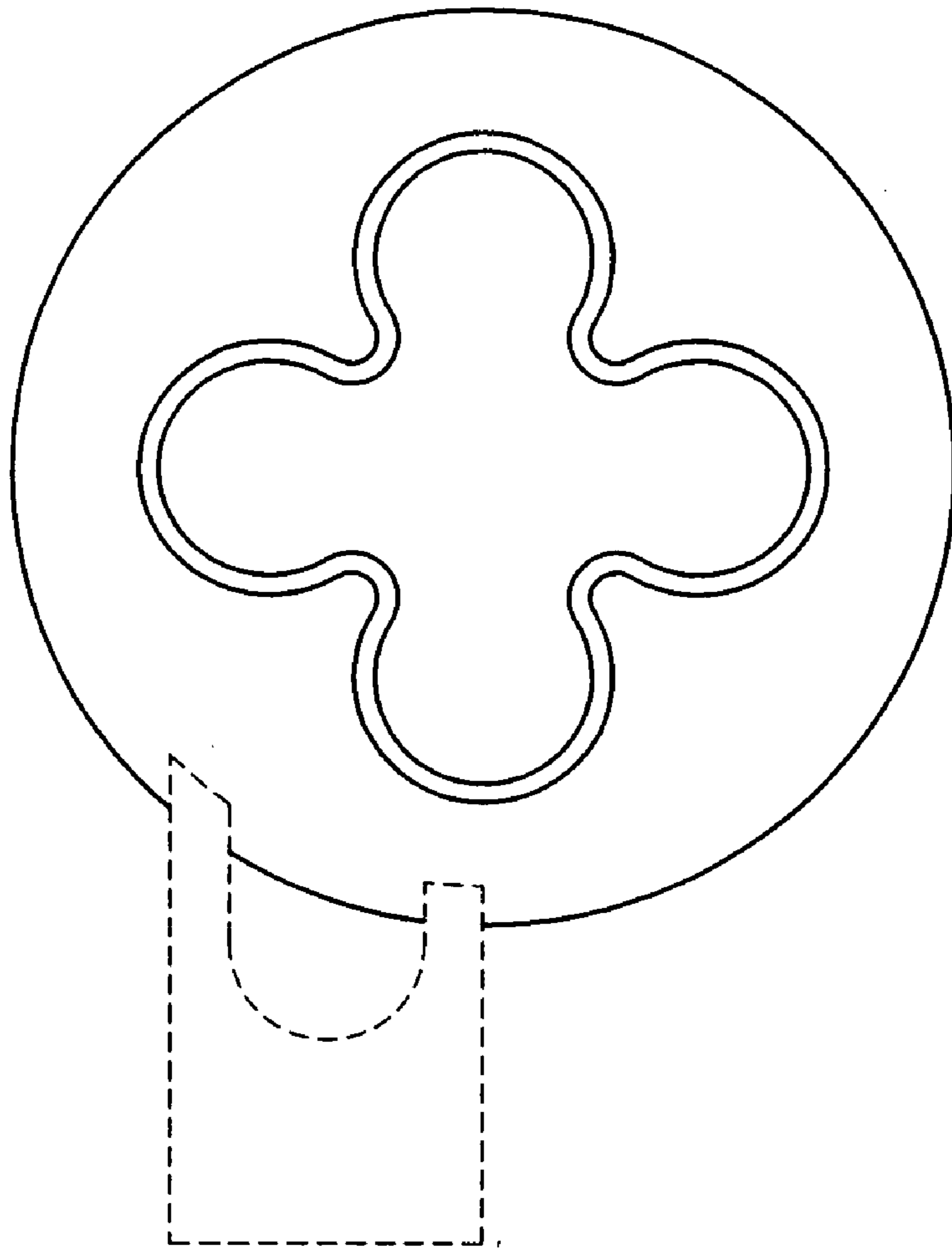


FIG. 11

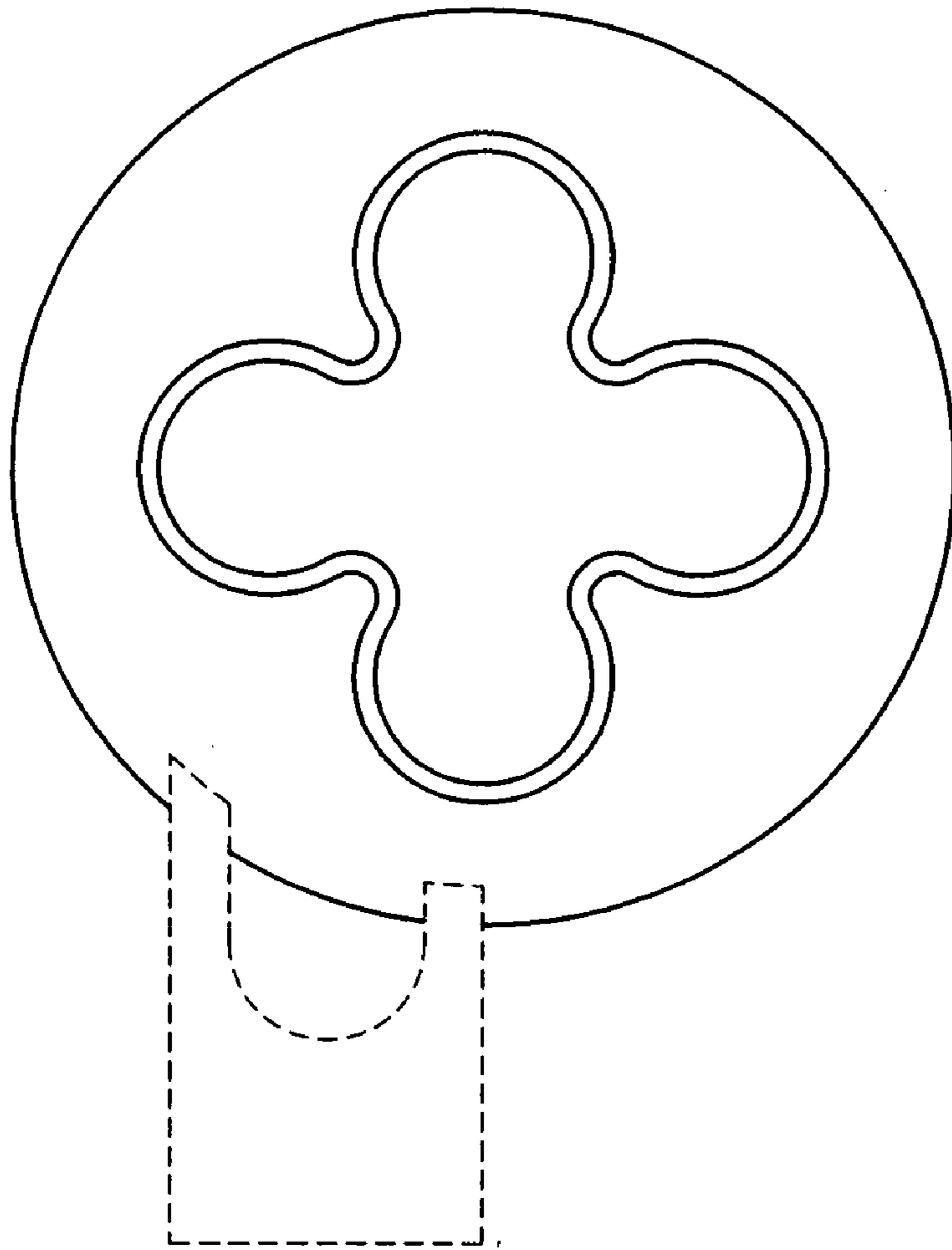


FIG. 12

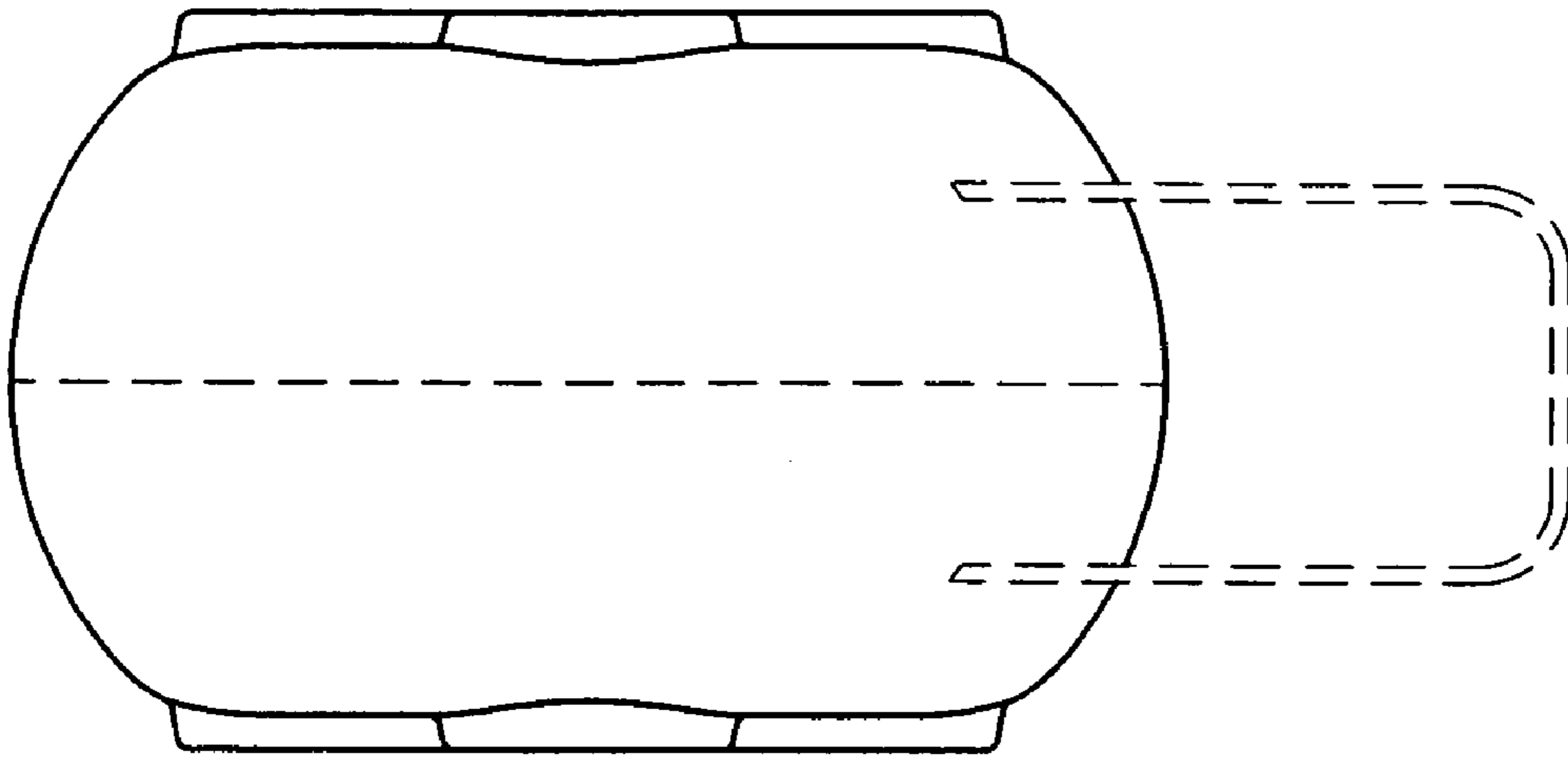


FIG. 13

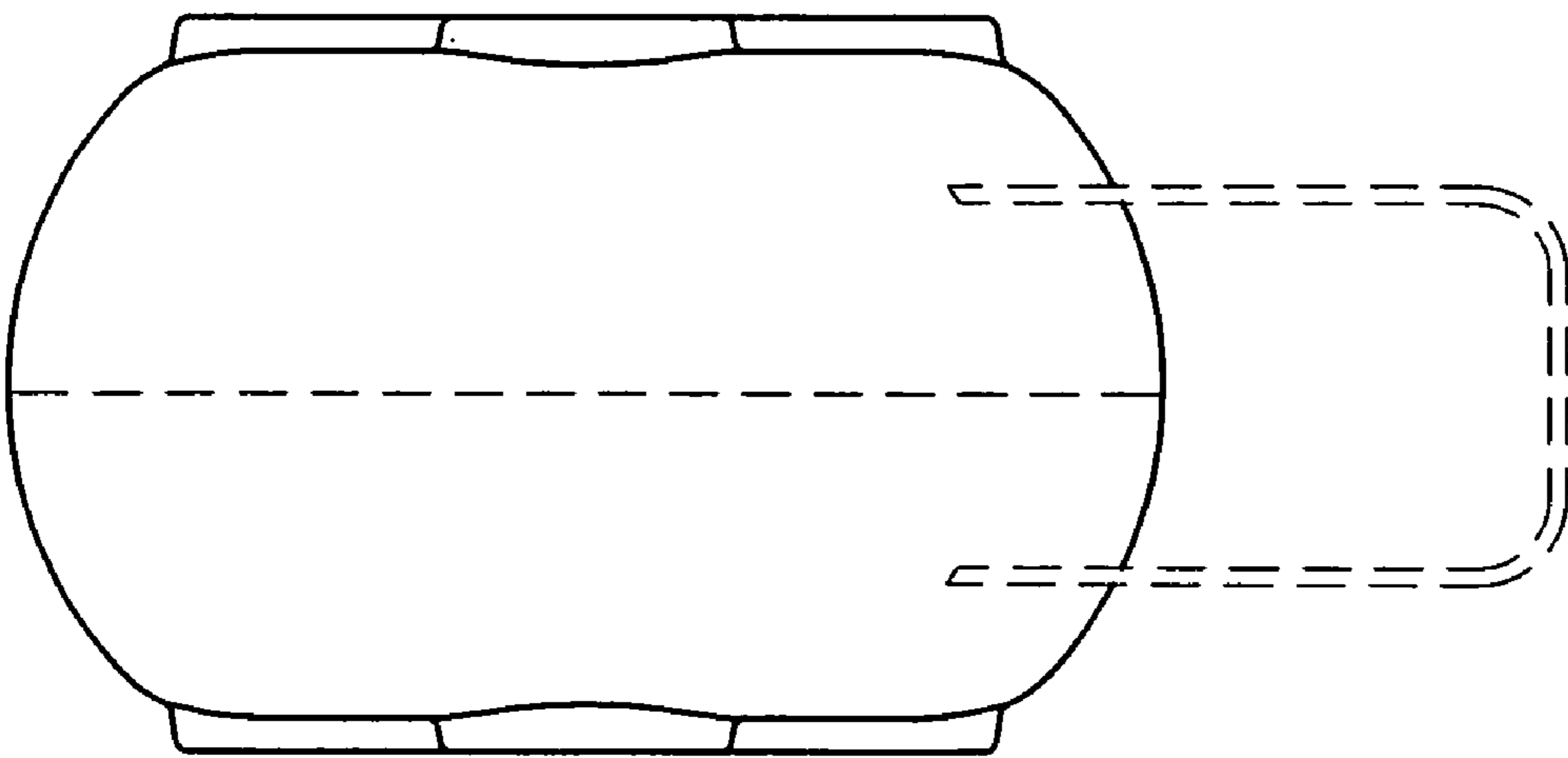


FIG. 14