



US00D546429S

(12) **United States Design Patent**
Ching et al.

(10) **Patent No.:** **US D546,429 S**

(45) **Date of Patent:** **** Jul. 10, 2007**

(54) **ELECTRIC HEATER**

(75) Inventors: **Chan Ching**, Taipei Hsien (TW); **Chad Ricker**, Ft. Lauderdale, FL (US)

(73) Assignee: **Perfect Union Co., Ltd.**, Taipei Hsien (TW)

(**) Term: **14 Years**

(21) Appl. No.: **29/260,824**

(22) Filed: **Jun. 2, 2006**

(51) **LOC (8) Cl.** **23-03**

(52) **U.S. Cl.** **D23/342**

(58) **Field of Classification Search** D23/314,
D23/332, 335-337, 339-341; 126/9 A, 92 A,
126/92 B, 92 AC, 110 B; 312/236; 392/365-369,
392/373-376

See application file for complete search history.

(56) **References Cited**

U.S. PATENT DOCUMENTS

- D348,725 S * 7/1994 Wortham D23/335
- D453,557 S * 2/2002 Pannozzo et al. D23/335
- D499,386 S * 12/2004 Yang D14/126

- D499,474 S * 12/2004 Ching D23/335
- D531,985 S * 11/2006 Yeom et al. D14/211
- D532,881 S * 11/2006 Ching D23/335

* cited by examiner

Primary Examiner—Louis S. Zarfes

Assistant Examiner—Eric L. Goodman

(74) *Attorney, Agent, or Firm*—Troxell Law Office, PLLC

(57) **CLAIM**

The ornamental design for electric heater, as shown and described.

DESCRIPTION

FIG. 1 is a top front and left side perspective view of electric heater showing my new design;

FIG. 2 is a front elevational view thereof;

FIG. 3 is a rear elevational view thereof;

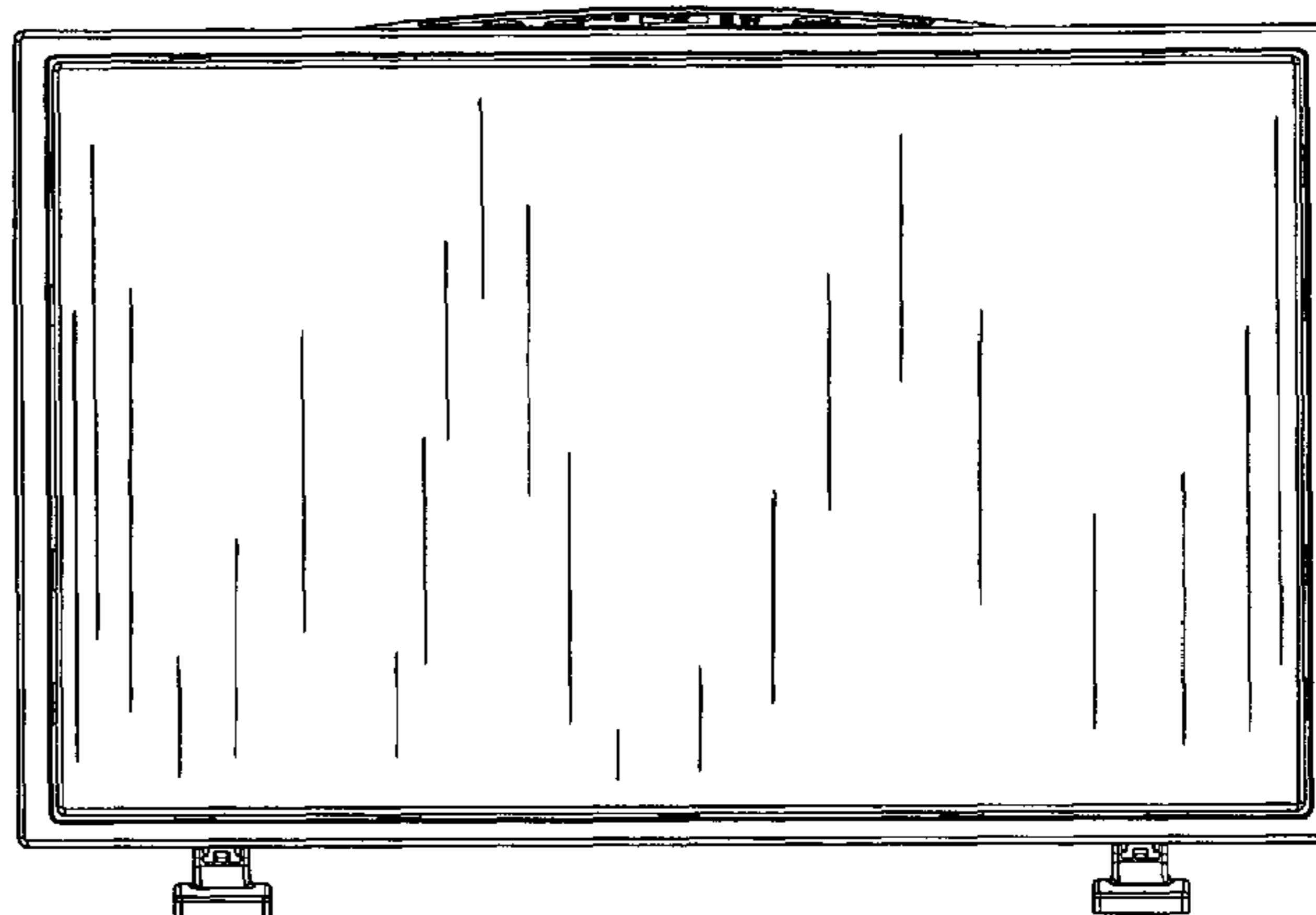
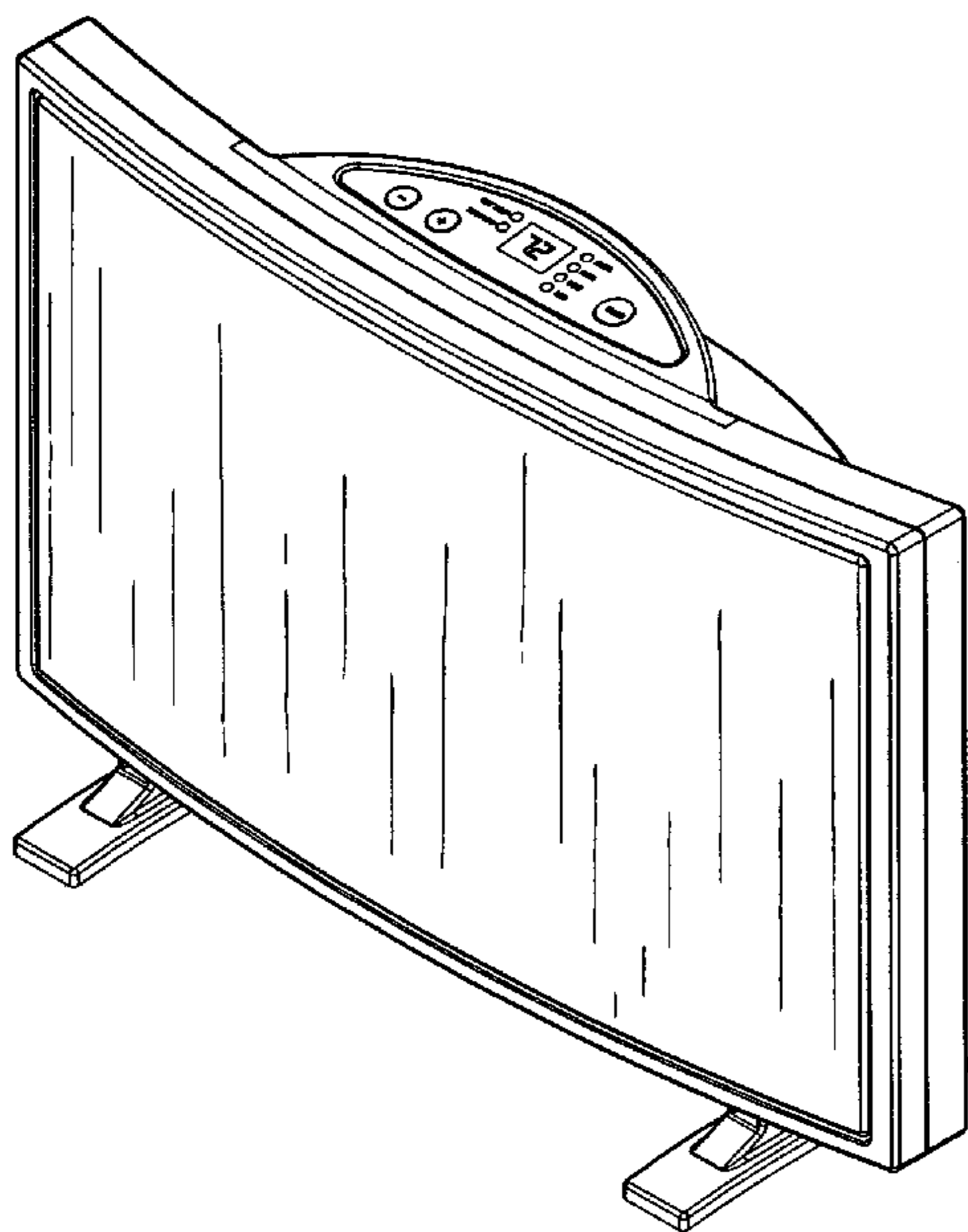
FIG. 4 is a right side elevational view thereof;

FIG. 5 is a left side elevation view thereof;

FIG. 6 is a top plan view thereof; and,

FIG. 7 is a bottom plan view thereof.

1 Claim, 4 Drawing Sheets



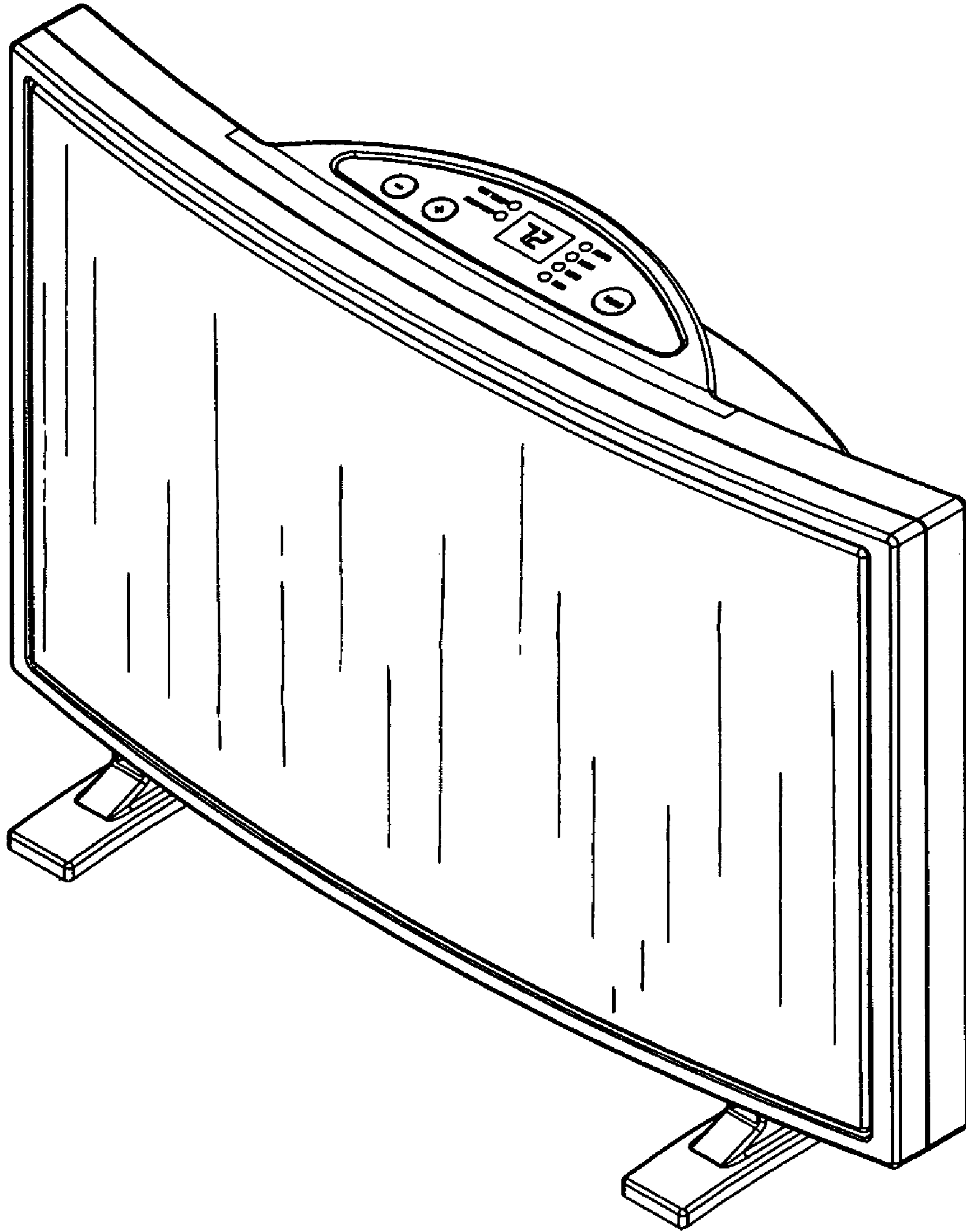


Fig. 1

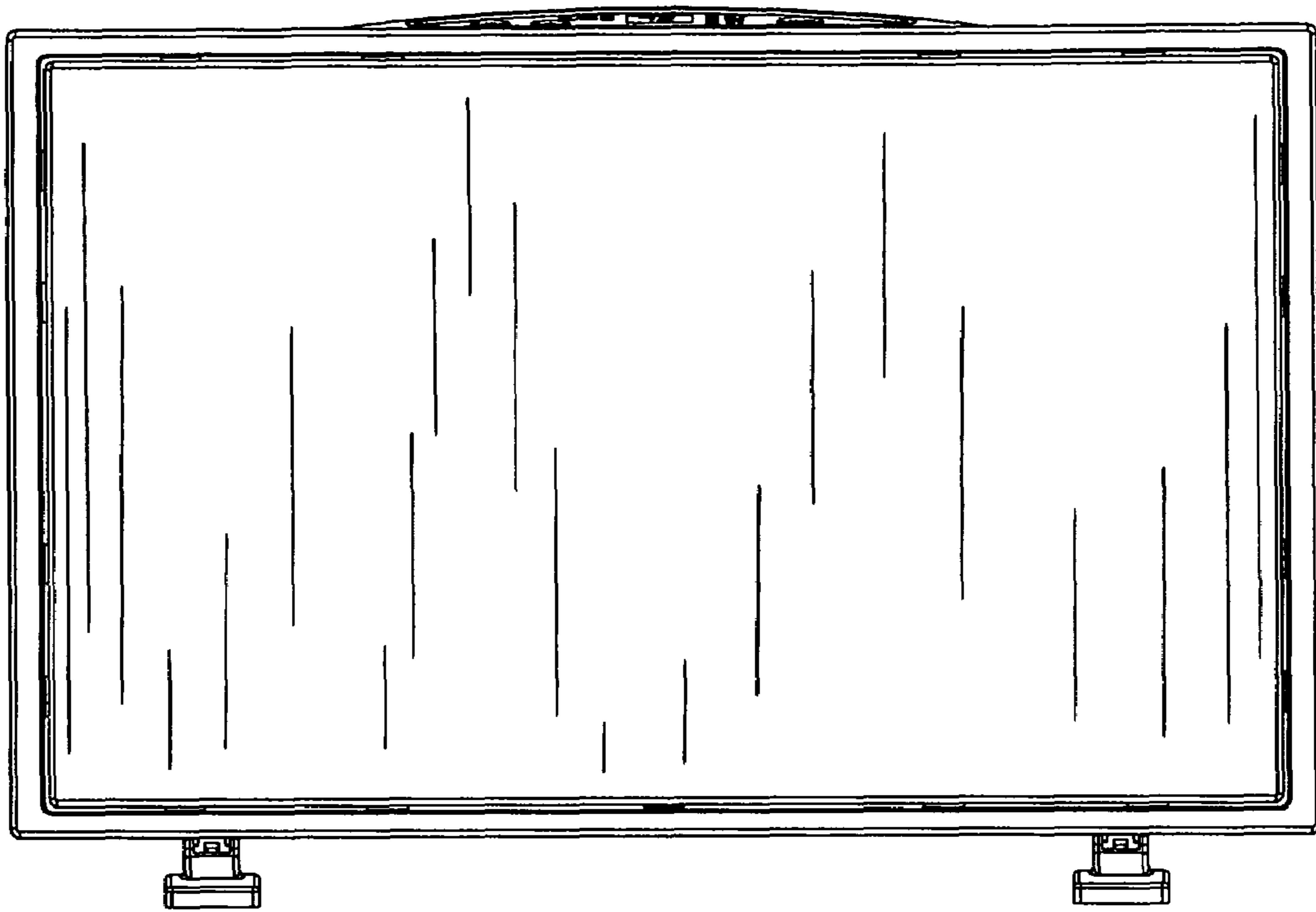


Fig.2

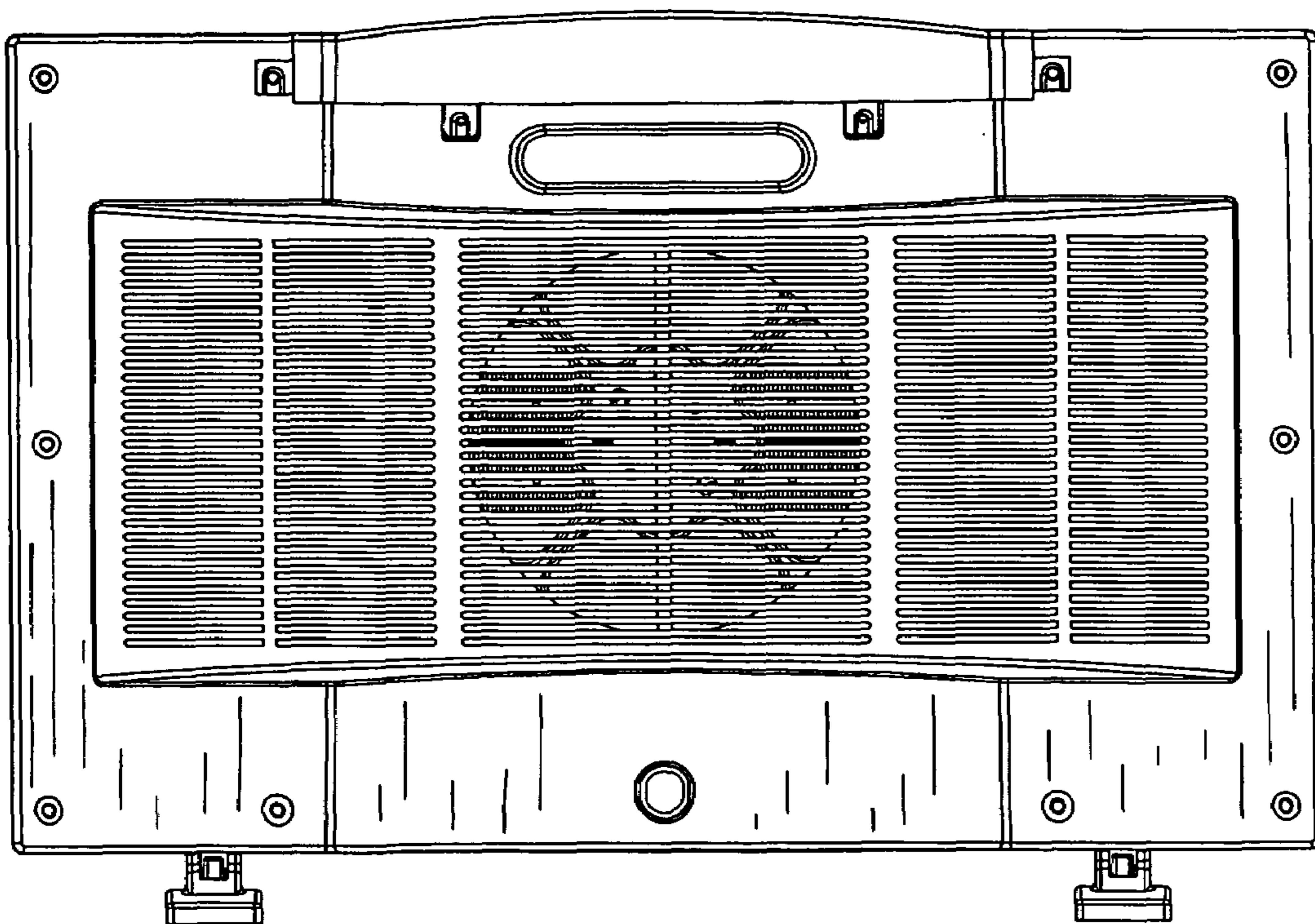


Fig.3

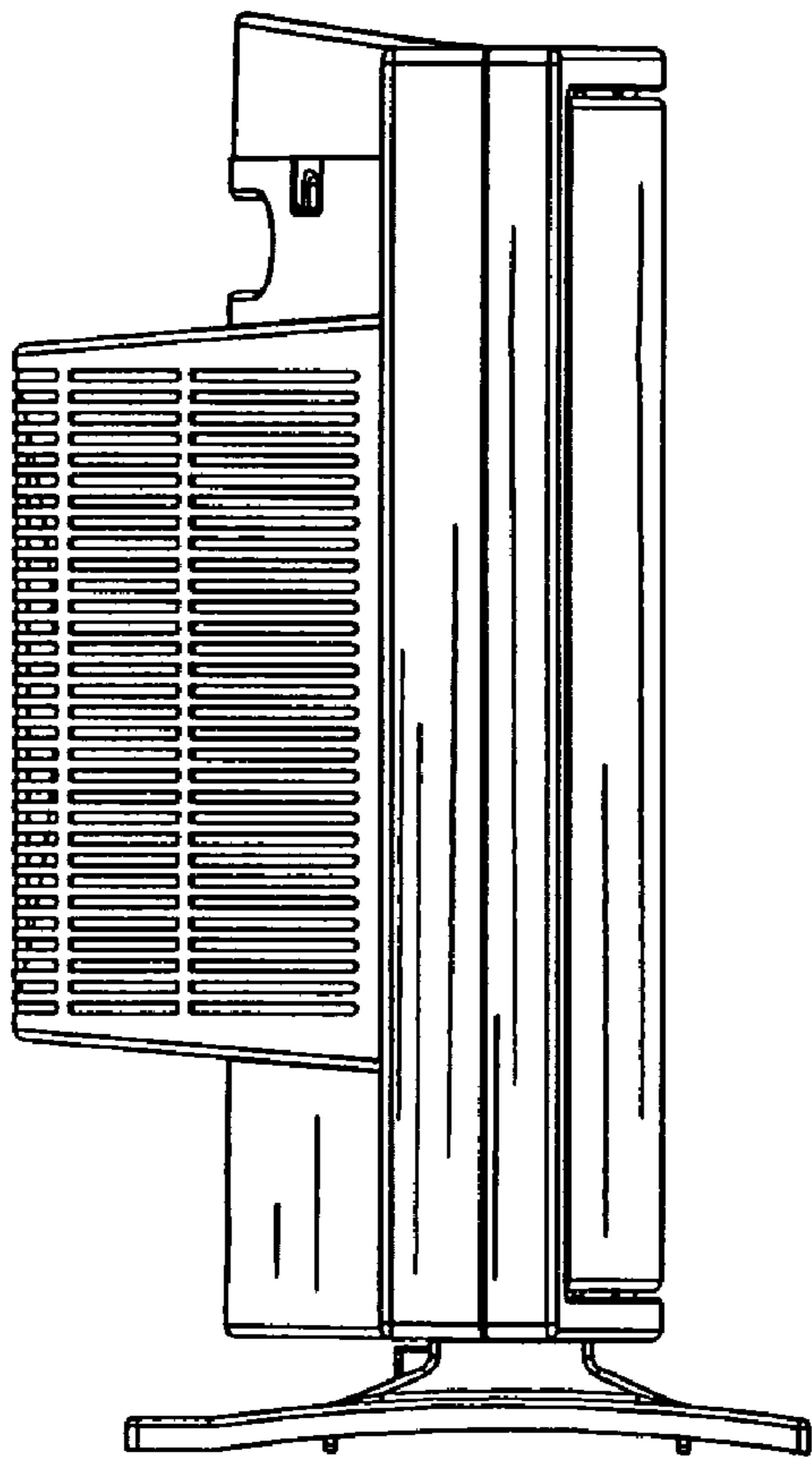


Fig.4

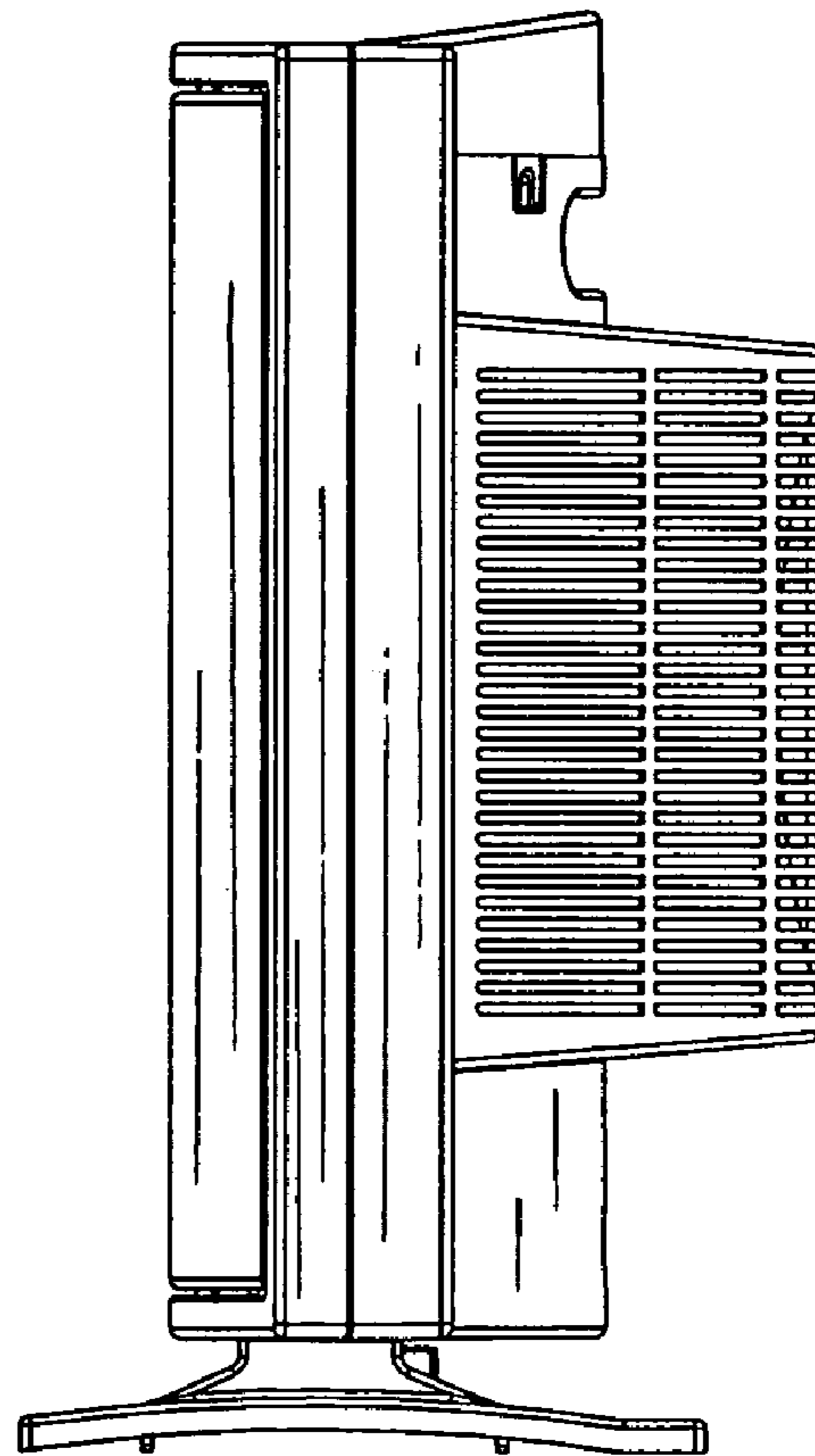


Fig.5

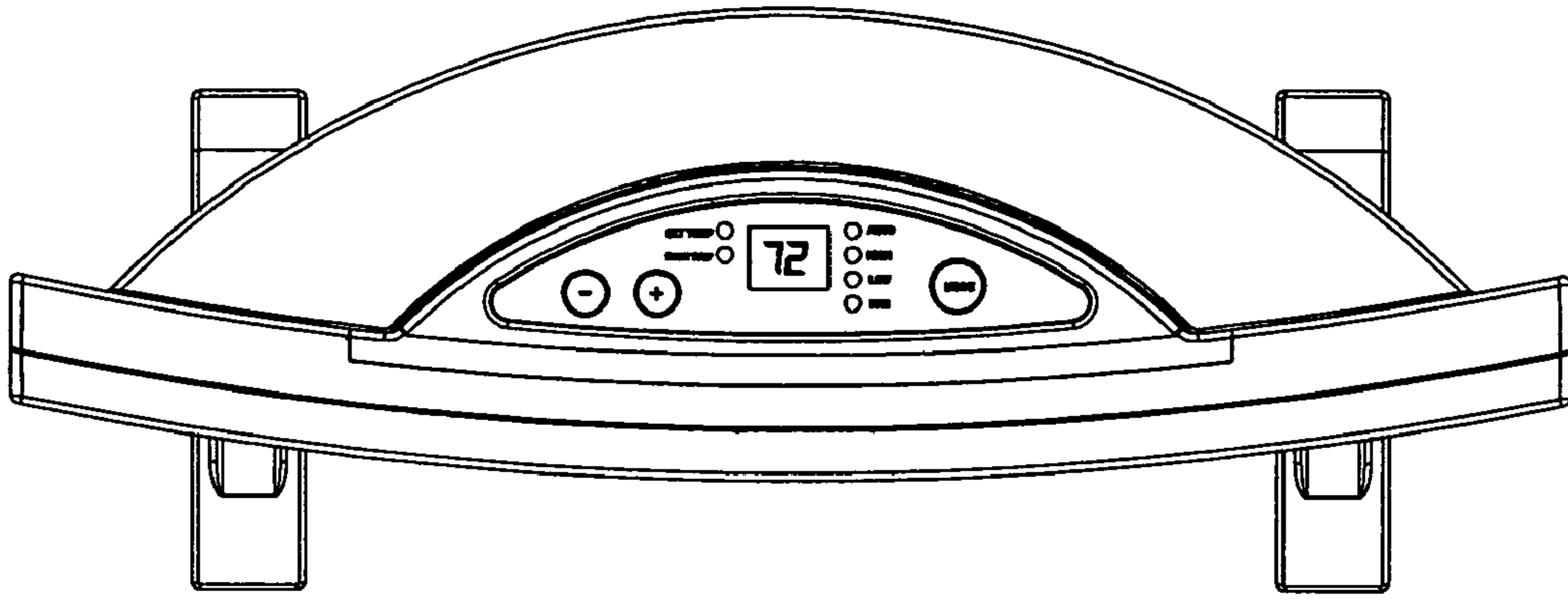


Fig.6

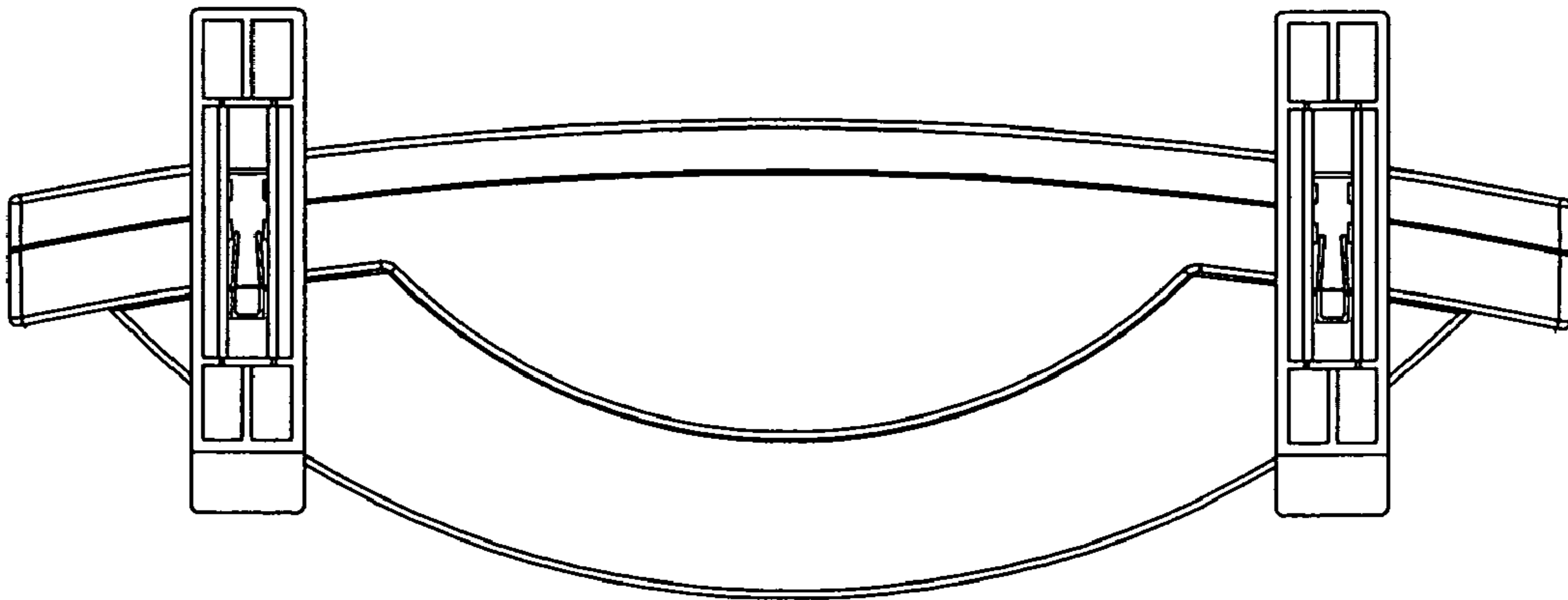


Fig.7