



US00D546427S

(12) **United States Design Patent** (10) **Patent No.:** **US D546,427 S**  
**Dolan** (45) **Date of Patent:** **\*\* Jul. 10, 2007**

(54) **PEDESTAL LAVATORY**

(76) Inventor: **Patrick S. Dolan**, 2700 NW. Front Ave., Portland, OR (US) 97210

(\*\*) Term: **14 Years**

(21) Appl. No.: **29/264,405**

(22) Filed: **Aug. 8, 2006**

(51) **LOC (8) Cl.** ..... **23-02**

(52) **U.S. Cl.** ..... **D23/292**

(58) **Field of Classification Search** ..... D23/201,  
D23/284, 292, 293.1, 303, 308; 4/619, 624,  
4/643, 646, 661

See application file for complete search history.

(56) **References Cited**

**U.S. PATENT DOCUMENTS**

D45,283 S	2/1914	Allen	
D76,918 S	11/1928	Crane	
D101,446 S	5/1936	Dreyfuss et al.	
D274,164 S	* 6/1984	Enthoven	..... D23/292
D321,754 S	11/1991	Reid	
D325,626 S	* 4/1992	Ragonot	..... D23/292
D380,040 S	6/1997	Kohler, Jr. et al.	
D396,271 S	7/1998	Garza	
D397,415 S	8/1998	McKeone	
D407,470 S	3/1999	McKeone	
D414,549 S	9/1999	Kawamura	
D415,827 S	10/1999	McKeone	
D470,928 S	2/2003	Kawamura et al.	
D472,617 S	4/2003	Lanius	
D479,587 S	9/2003	Smith	
D499,470 S	* 12/2004	Garza	..... D23/292
D500,843 S	1/2005	Takou	
D523,181 S	6/2006	Mayer	

**OTHER PUBLICATIONS**

Copending U.S. Appl. No. 29/264,404, filed Nov. 8, 2006, Patrick S. Dolan.  
Copending U.S. Appl. No. 29/264,415, filed Nov. 8, 2006, Patrick S. Dolan.

Copending U.S. Appl. No. 29/264,426, filed Nov. 8, 2006, Patrick S. Dolan.

Copending U.S. Appl. No. 29/264,416, filed Nov. 8, 2006, Patrick S. Dolan.

Copending U.S. Appl. No. 29/264,406, filed Nov. 8, 2006, Patrick S. Dolan.

Copending U.S. Appl. No. 29/264,413, filed Nov. 8, 2006, Patrick S. Dolan.

Kohler, Kohler, WI, Model K-2344-8, As on website: www.faucet.com, Jun. 16, 2006.

Barclay Products, Gurnee, IL, Model 84438, As on website: www.bellacor.com, Jun. 16, 2006.

Kohler, Kohler, WI, Model K-2268-8, As on website: www.faucet.com, Jun. 16, 2006.

St. Thomas Creations, San Diego, CA, Model 5130-080-01, As on website: www.homeportfolio.com, Jun. 16, 2006.

\* cited by examiner

*Primary Examiner*—Robert A. Delehanty

(57) **CLAIM**

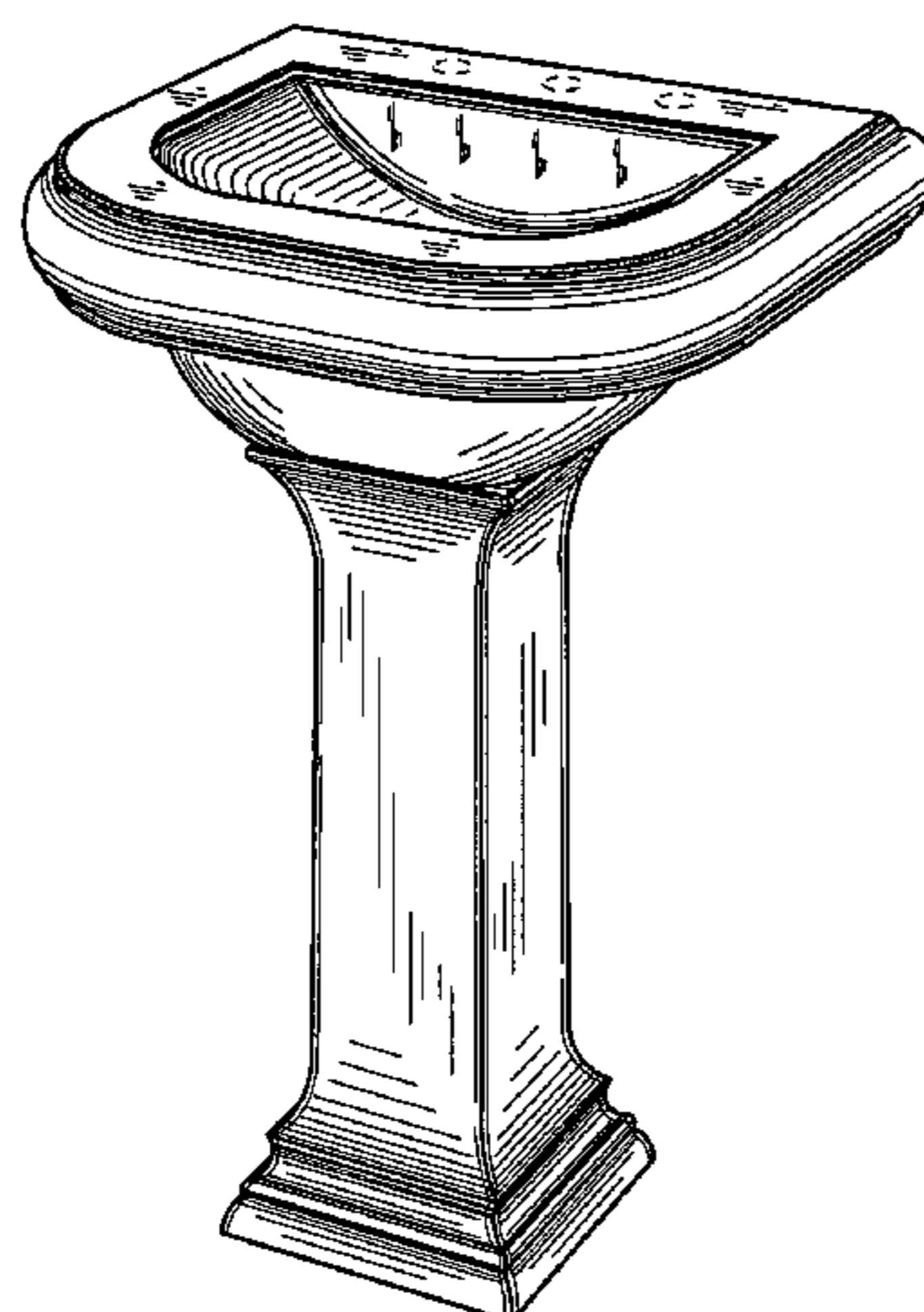
The ornamental design for a pedestal lavatory, as shown and described.

**DESCRIPTION**

FIG. 1 is a perspective view thereof;  
FIG. 2 is a front elevational view thereof;  
FIG. 3 is a right side view, the left side view being a mirror image;  
FIG. 4 is a back plan view thereof;  
FIG. 5 is a top plan view thereof;  
FIG. 6 is a bottom plan view thereof;  
FIG. 7 is a cross-sectional view taken along Line 7—7 of FIG. 5; and,  
FIG. 8 is a cross-sectional view taken along Line 8—8 of FIG. 5.

The broken line showing of environmental structure is for illustrative purposes only and forms no part of the claimed design.

**1 Claim, 8 Drawing Sheets**



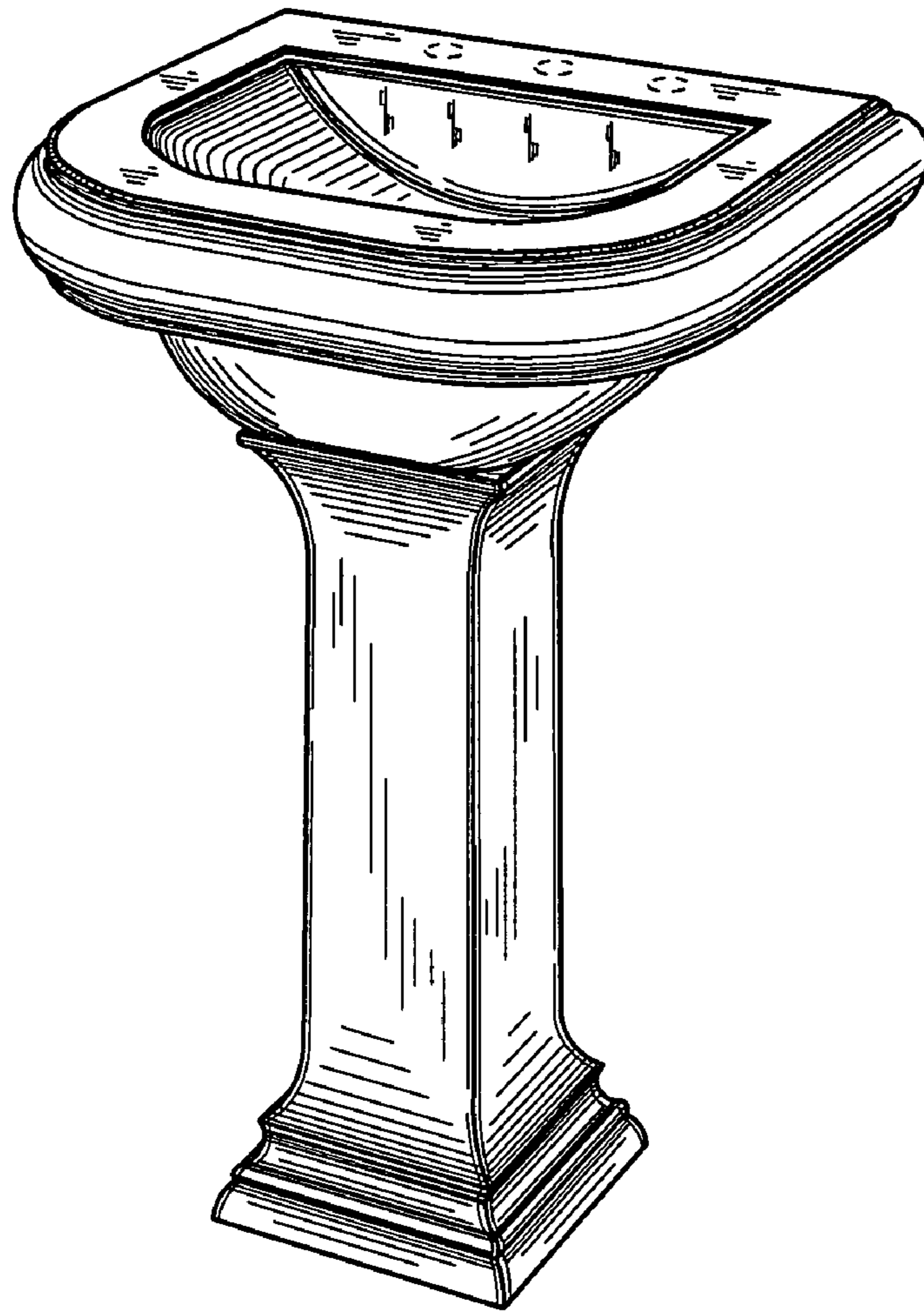
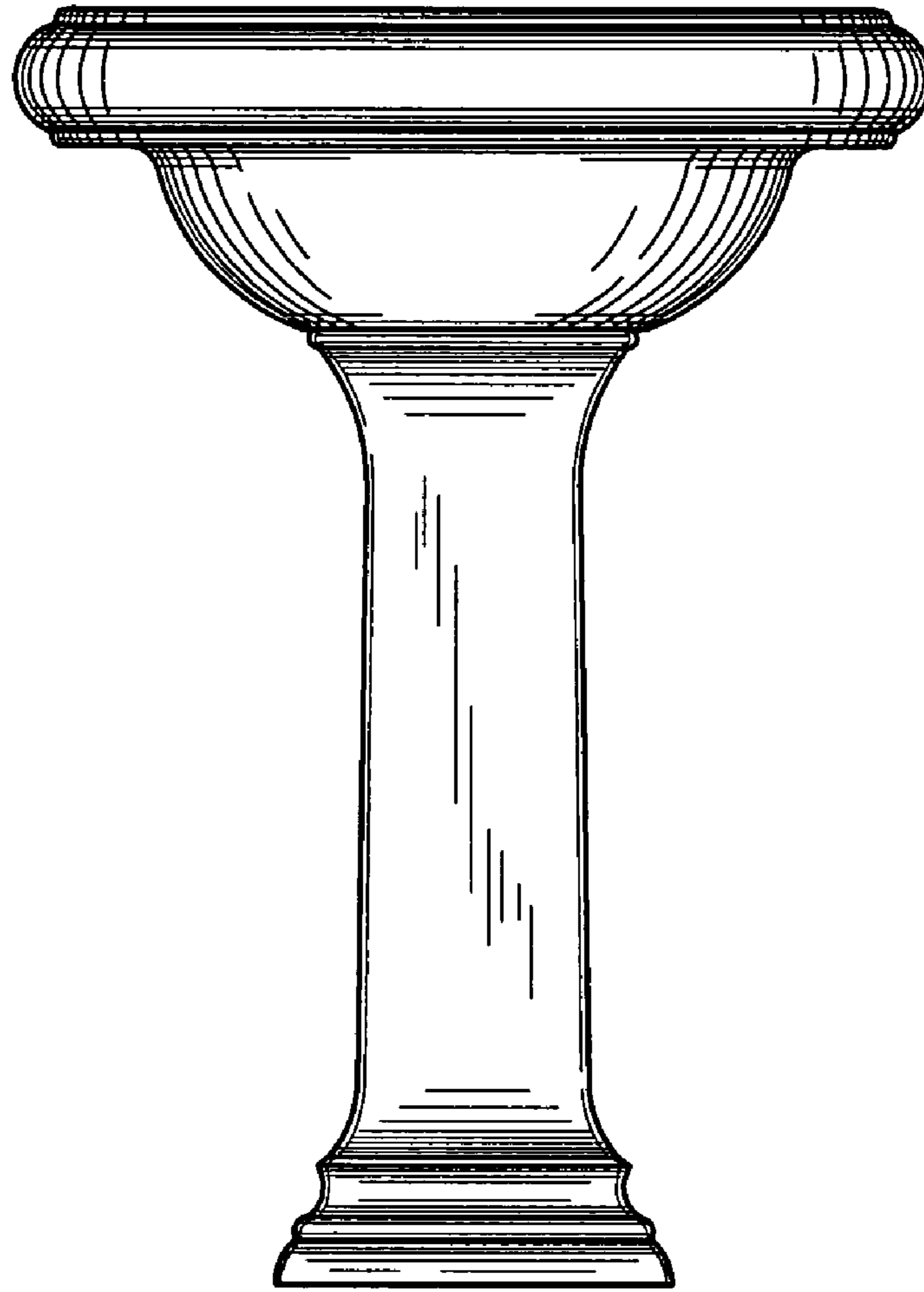
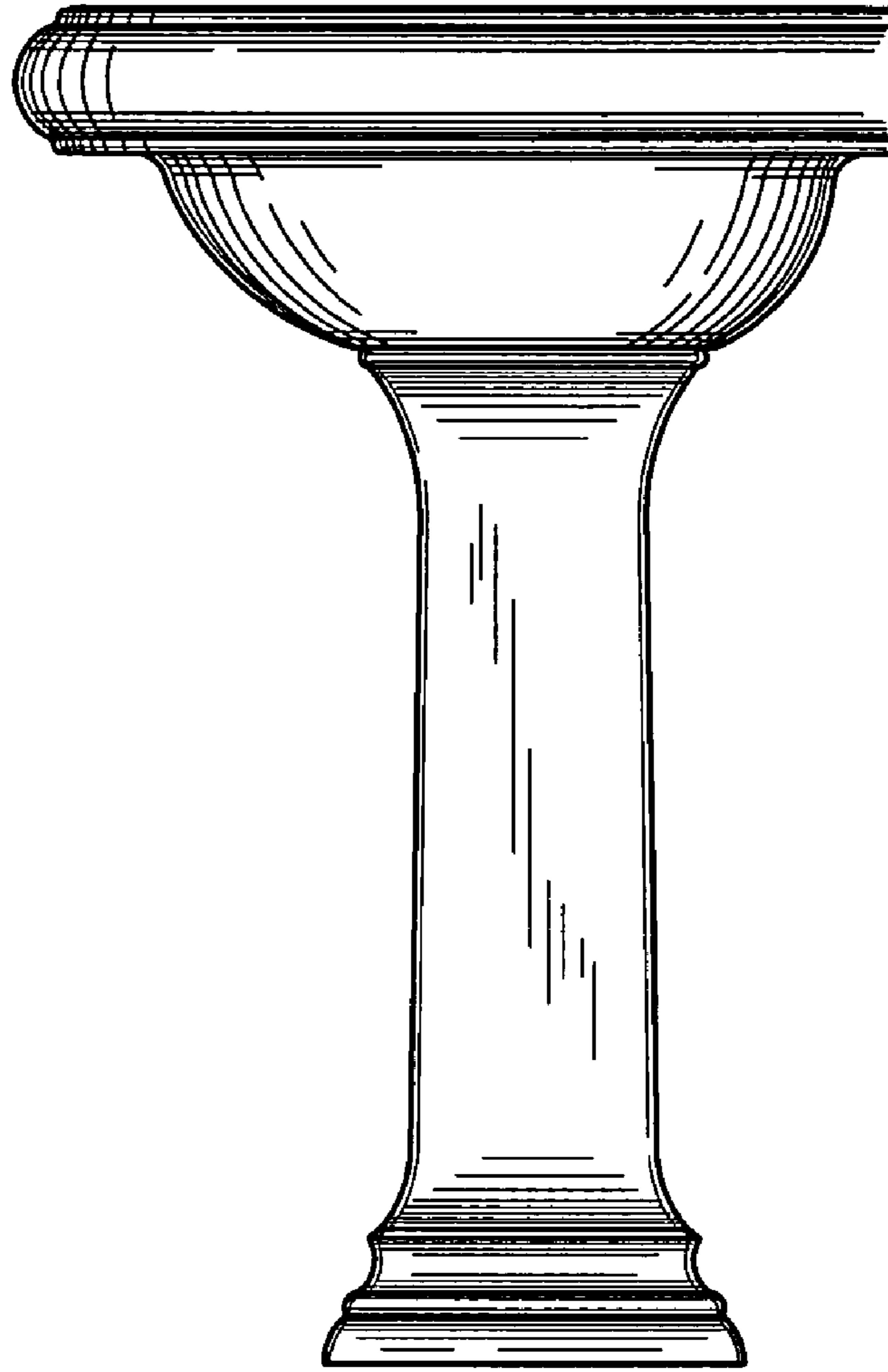


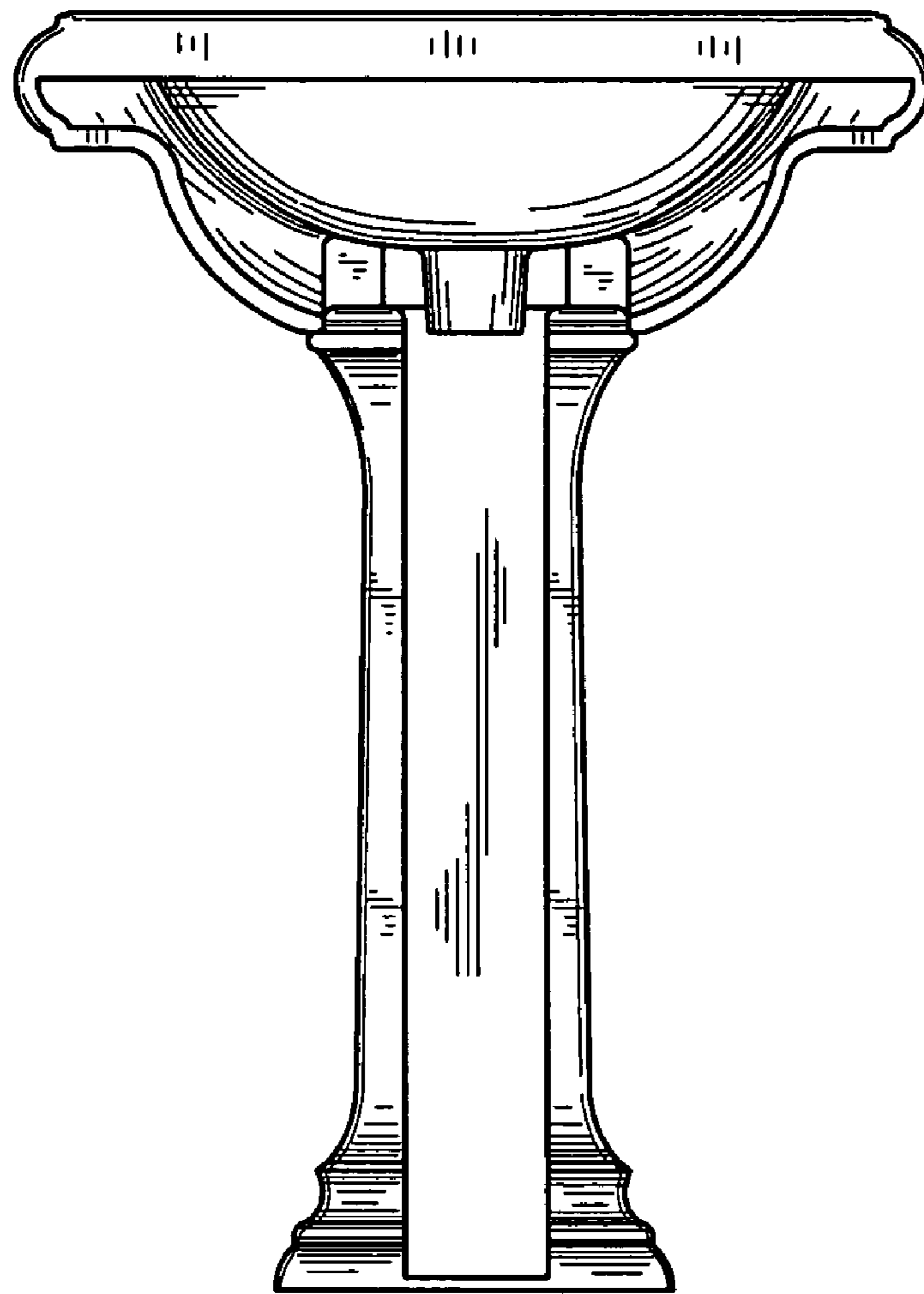
FIG. 1



**FIG. 2**



**FIG. 3**



**FIG. 4**

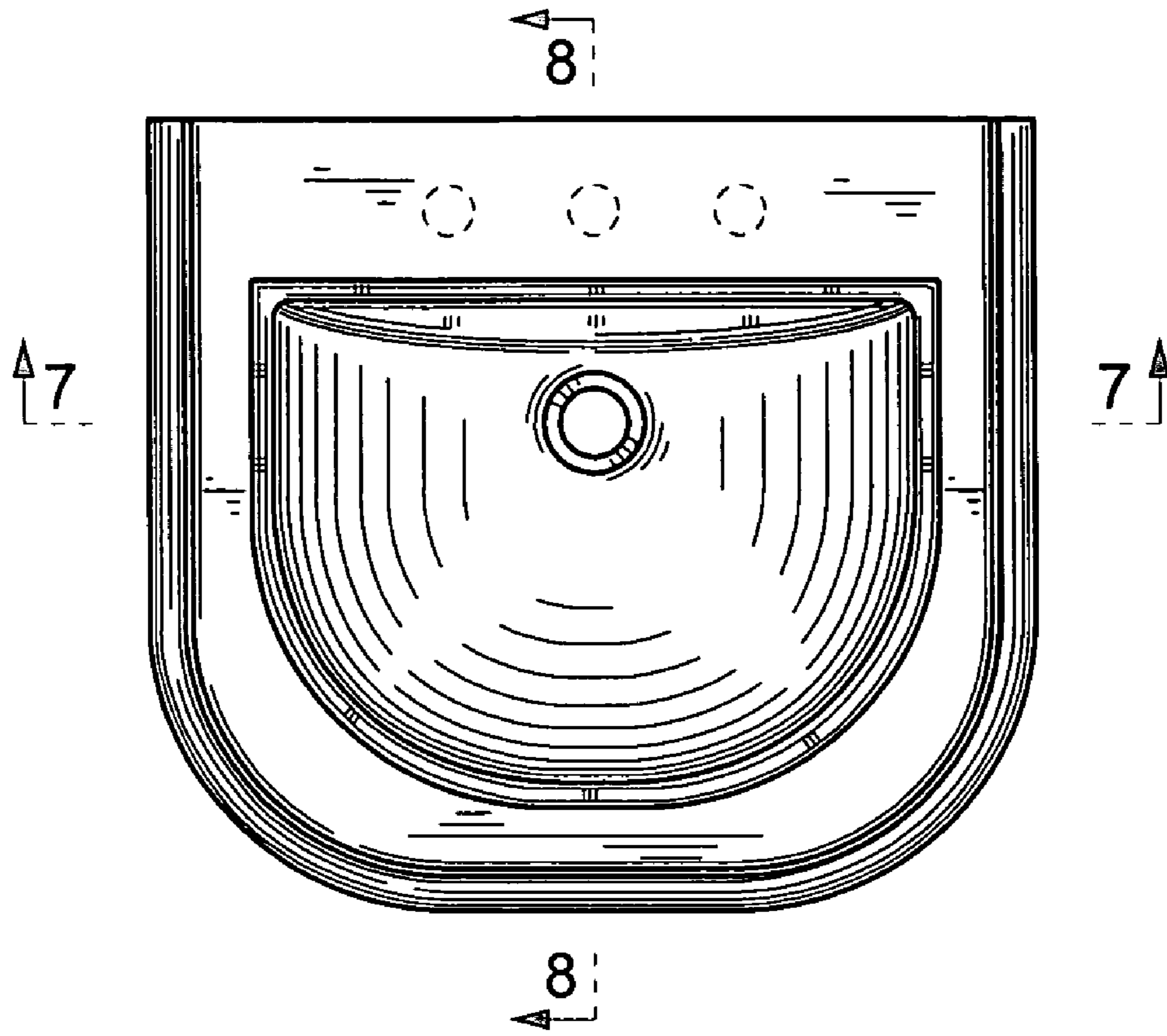
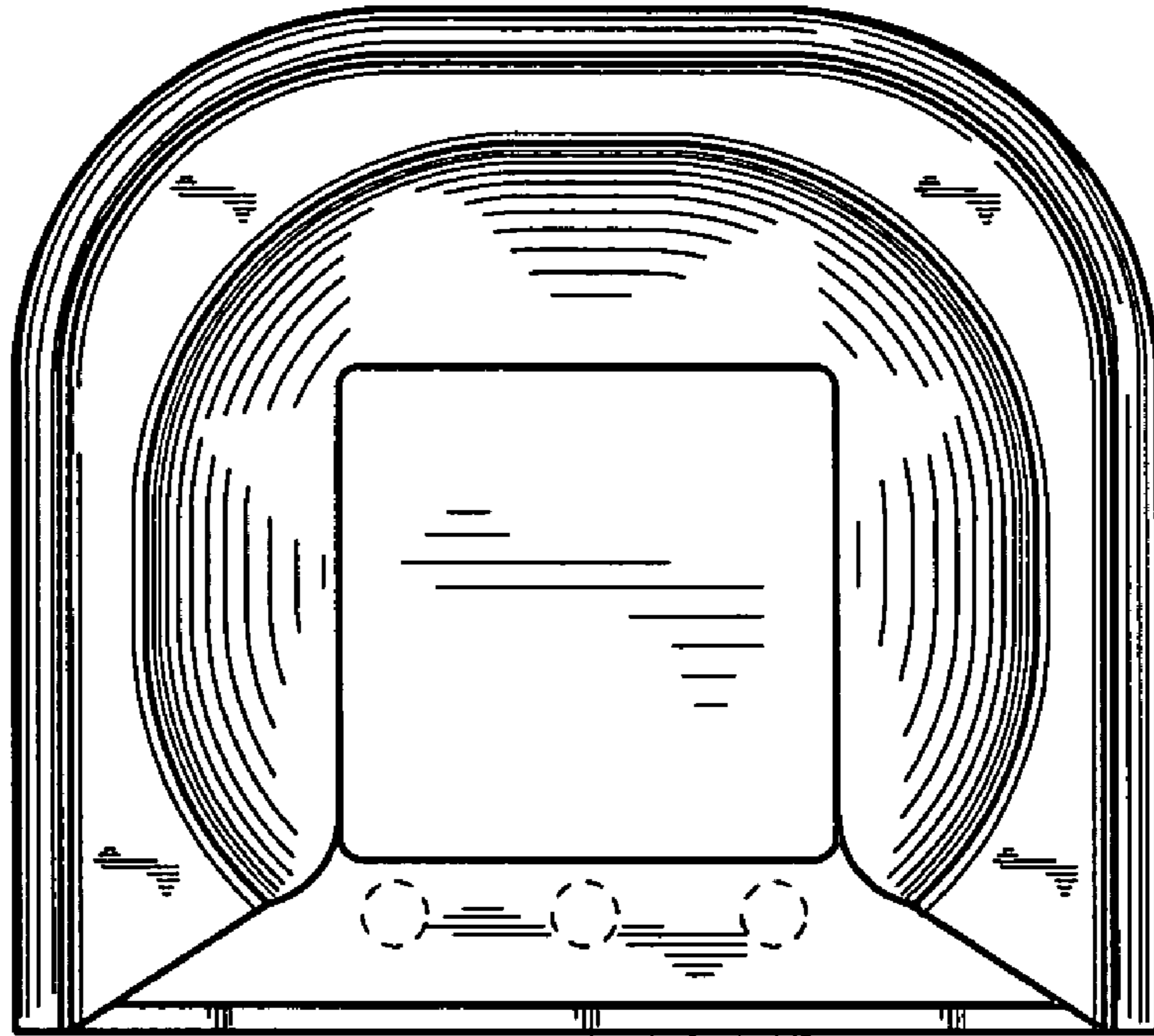


FIG. 5



**FIG. 6**

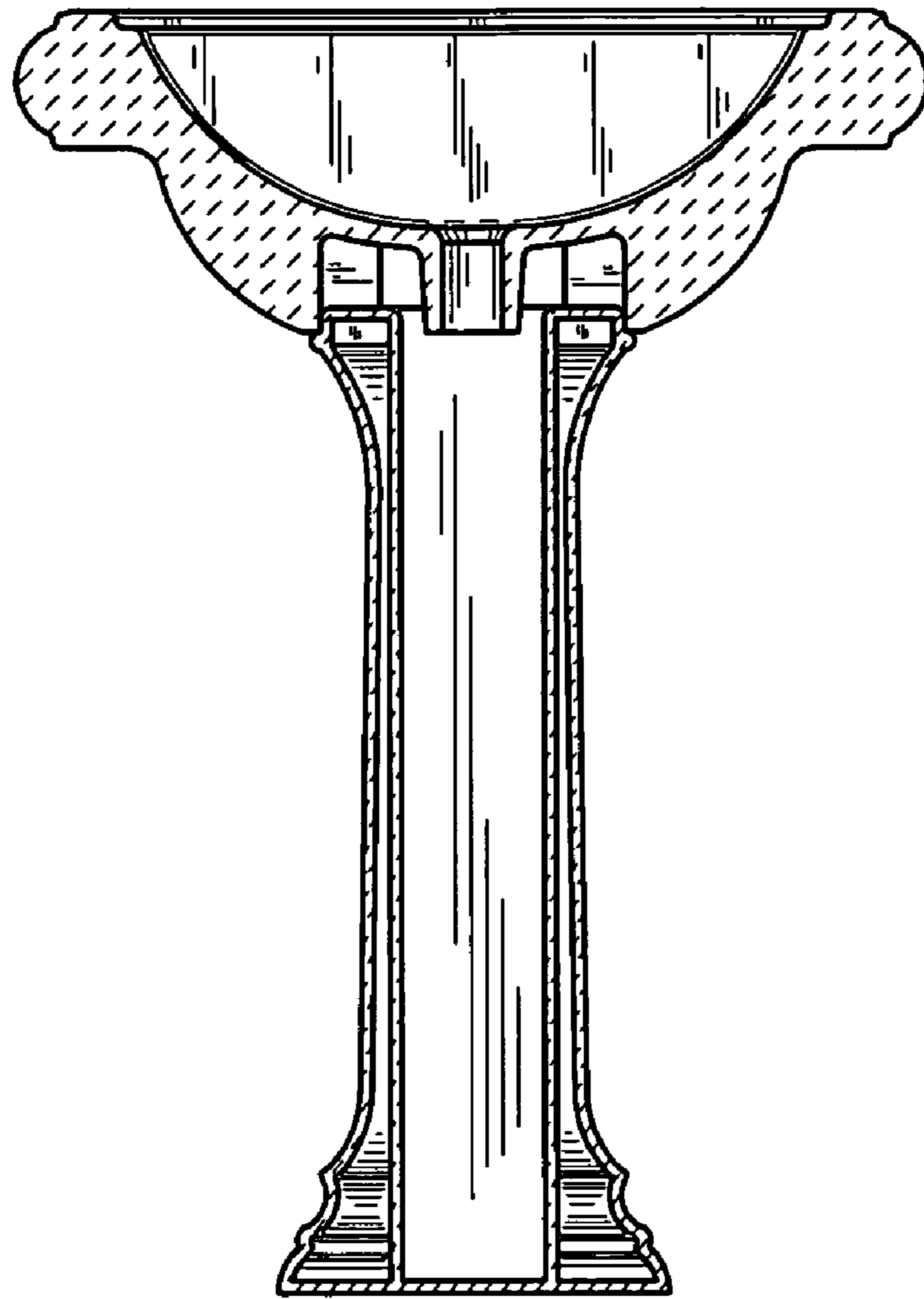
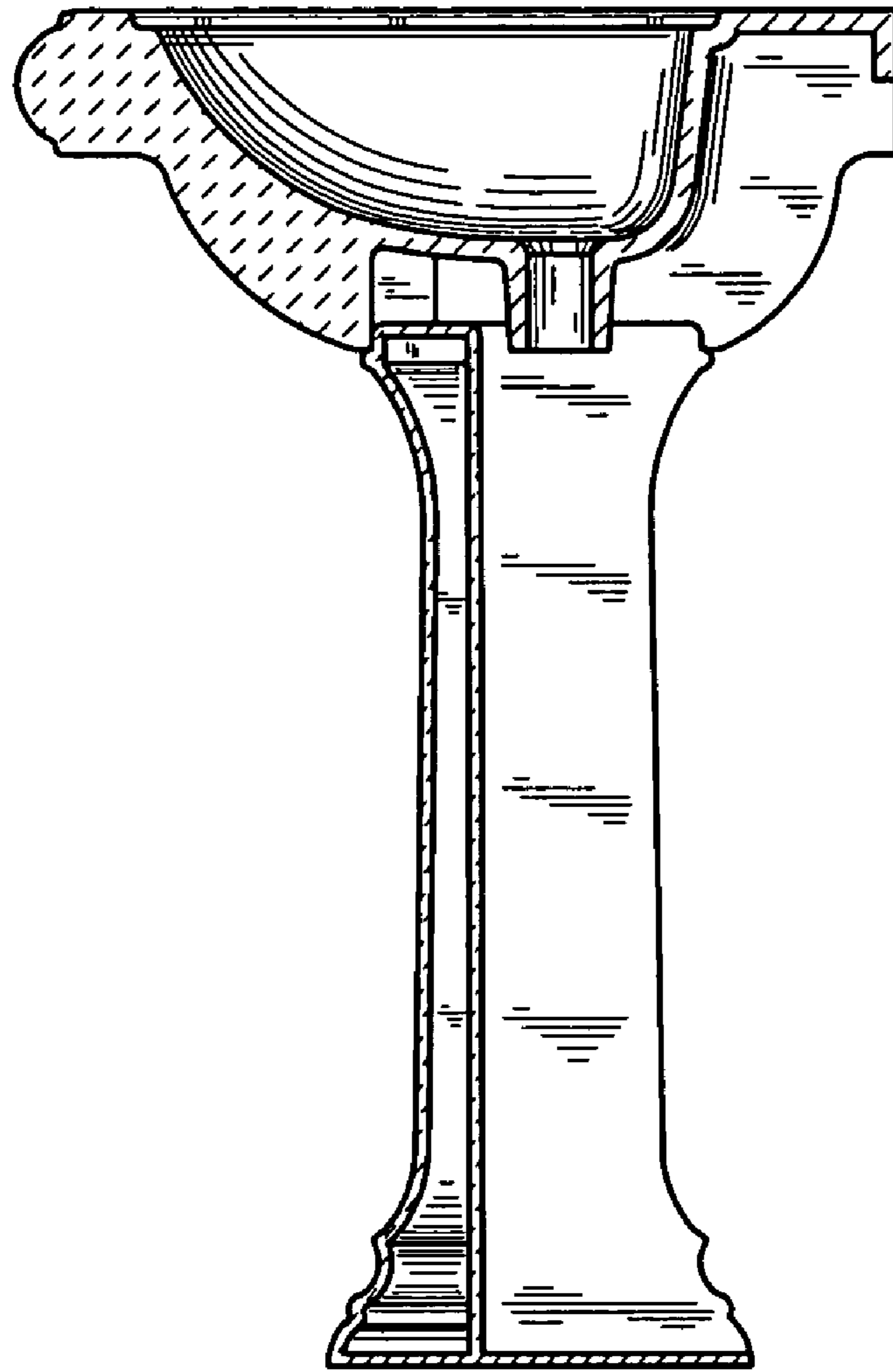


FIG. 7





**FIG. 8**