



US00D546426S

(12) **United States Design Patent**  
**Plikuhn**

(10) **Patent No.:** **US D546,426 S**  
(45) **Date of Patent:** **\*\* Jul. 10, 2007**

(54) **SINK**  
(75) Inventor: **Deborah Marie Plikuhn**, Lombard, IL  
(US)

D397,213 S 8/1998 Bonnell  
D417,981 S 12/1999 Zwicker

(Continued)

(73) Assignee: **Elkay Manufacturing Company**, Oak  
Brook, IL (US)

**OTHER PUBLICATIONS**

(\*\*) Term: **14 Years**

U.S. Appl. No. 29/229,396, filed May 6, 2005, Douglass.  
KOHLER, "The Bold Look of Kohler: All Sinks," retrieved from  
[http://www.us.kohler.com/onlinecatalog/product\\_result.jsp?showAll=true&section=1&category=5&subcategory=36&frm=null&module=Kitchen+Sinks&cat\\_count=7&QS\\_0=All&QS\\_1=All&QS\\_2=All&QS\\_3=All&QS\\_4=All&QS\\_5=All&QS\\_6=All&sort=Default](http://www.us.kohler.com/onlinecatalog/product_result.jsp?showAll=true&section=1&category=5&subcategory=36&frm=null&module=Kitchen+Sinks&cat_count=7&QS_0=All&QS_1=All&QS_2=All&QS_3=All&QS_4=All&QS_5=All&QS_6=All&sort=Default) on Aug. 6, 2005.  
KOHLER, "The Bold Look of Kohler: Lady Vanity™ self-rimming lavatory with 8" centers for swing spout faucet and sidespray," retrieved from [http://www.us.kohler.com/onlinecatalog/print.jsp?item=163202&prod\\_num=21708S&category=16&frm=null](http://www.us.kohler.com/onlinecatalog/print.jsp?item=163202&prod_num=21708S&category=16&frm=null) on Jan. 13, 2006.

(21) Appl. No.: **29/257,962**

(22) Filed: **Apr. 13, 2006**

(51) **LOC (8) Cl.** ..... **23-02**

(52) **U.S. Cl.** ..... **D23/284**

(58) **Field of Classification Search** ..... D23/270–273,  
D23/284–287, 289, 291–293.1, 303, 308;  
4/619, 630–631, 637, 661; D21/524  
See application file for complete search history.

*Primary Examiner*—Robert A. Delehanty  
(74) *Attorney, Agent, or Firm*—Leydig, Voit & Mayer, Ltd.

(56) **References Cited**

(57) **CLAIM**

**U.S. PATENT DOCUMENTS**

The ornamental design for a sink, as shown and described.

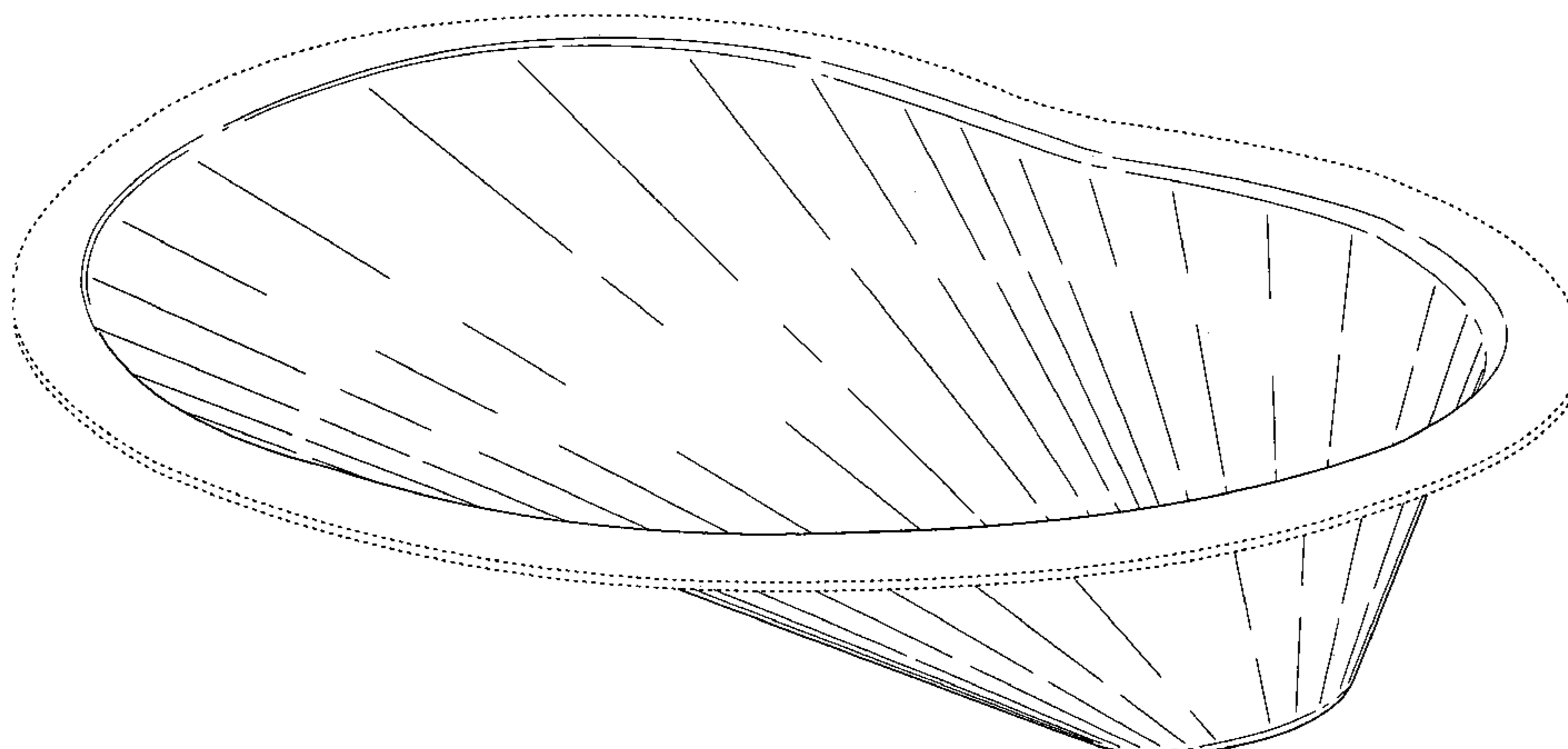
1,201,903 A	10/1916	Wiley
D78,257 S	4/1929	Bonner, Jr.
D183,047 S	6/1958	Helmer
D185,650 S	7/1959	Voorhees et al.
D185,662 S	7/1959	Everett
D188,418 S	7/1960	Salveson
3,071,780 A	1/1963	Lyon, Jr.
3,108,288 A	10/1963	Herzog
D231,675 S	5/1974	Fee
D244,291 S	5/1977	Baker
D276,869 S	12/1984	Doman
D282,612 S	2/1986	Moore, Jr.
4,587,680 A	5/1986	Brügger
D307,465 S	4/1990	Phillips
D320,066 S	9/1991	Dannenberg
D337,377 S	7/1993	Bonnell et al.
5,251,790 A	10/1993	Cohn et al.
D353,652 S	12/1994	Dannenberg
D356,148 S	3/1995	Kohler, Jr. et al.
5,412,818 A	5/1995	Chen
5,621,929 A	4/1997	Smith
D387,857 S	12/1997	McKeone

**DESCRIPTION**

FIG. 1 is a perspective view taken from the top, front, and right side of a sink showing my new design;  
FIG. 2 is a top plan view of the sink shown in FIG. 1;  
FIG. 3 is a bottom view of the sink shown in FIG. 1;  
FIG. 4 is a front elevational view of the sink shown in FIG. 1;  
FIG. 5 is a rear elevational view of the sink shown in FIG. 1;  
FIG. 6 is a left elevational side view of the sink shown in FIG. 1; and,  
FIG. 7 is a right elevational side view of the sink shown in FIG. 1.

The broken lines are for illustration purposes only and form no part of the claimed design.

**1 Claim, 5 Drawing Sheets**



# US D546,426 S

Page 2

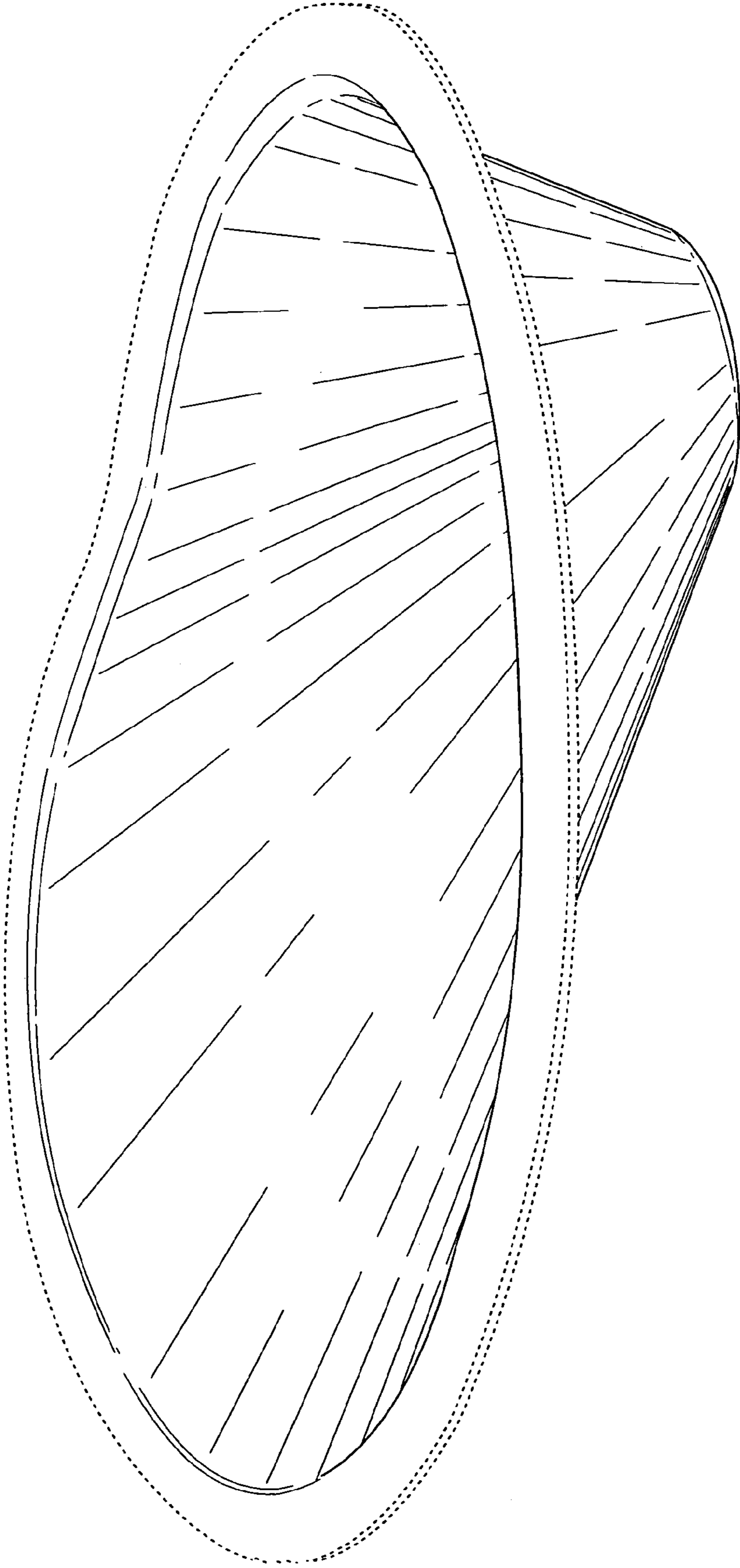
---

## U.S. PATENT DOCUMENTS

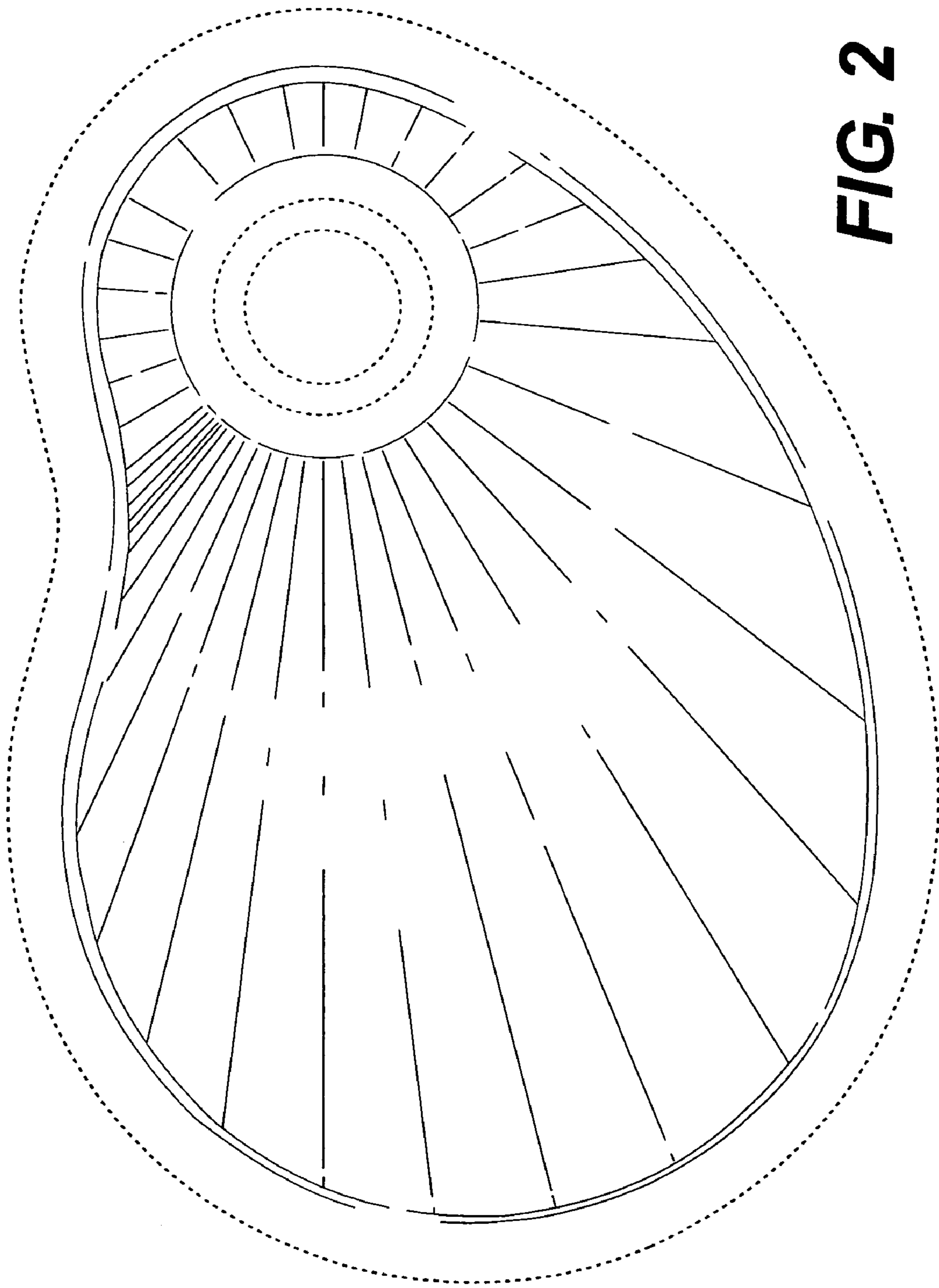
D426,288 S 6/2000 Kolada  
D430,275 S 8/2000 Slothower  
6,213,575 B1 4/2001 Brin, Jr. et al.  
D445,883 S 7/2001 Svendsen et al.  
D455,200 S 4/2002 Marshall  
D471,264 S 3/2003 Bennie  
D473,635 S 4/2003 Lanius

D475,441 S \* 6/2003 Kundig ..... D23/293.1  
D492,396 S 6/2004 Sutopo  
D496,441 S 9/2004 Moran et al.  
D498,833 S 11/2004 Bates  
D500,129 S 12/2004 Bates  
D501,041 S 1/2005 Moran et al.  
D506,814 S \* 6/2005 Alger ..... D23/293.1

\* cited by examiner



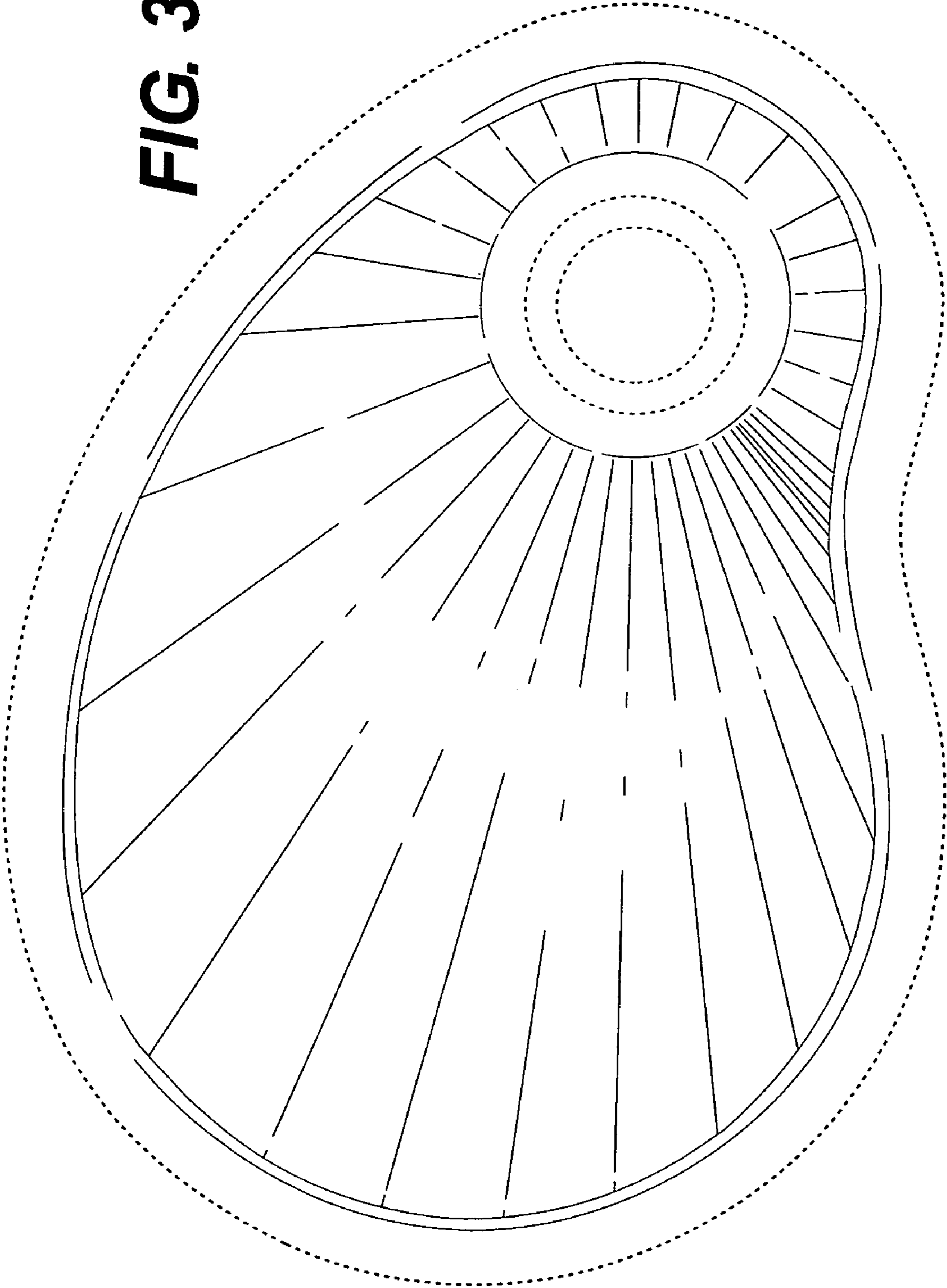
**FIG. 1**

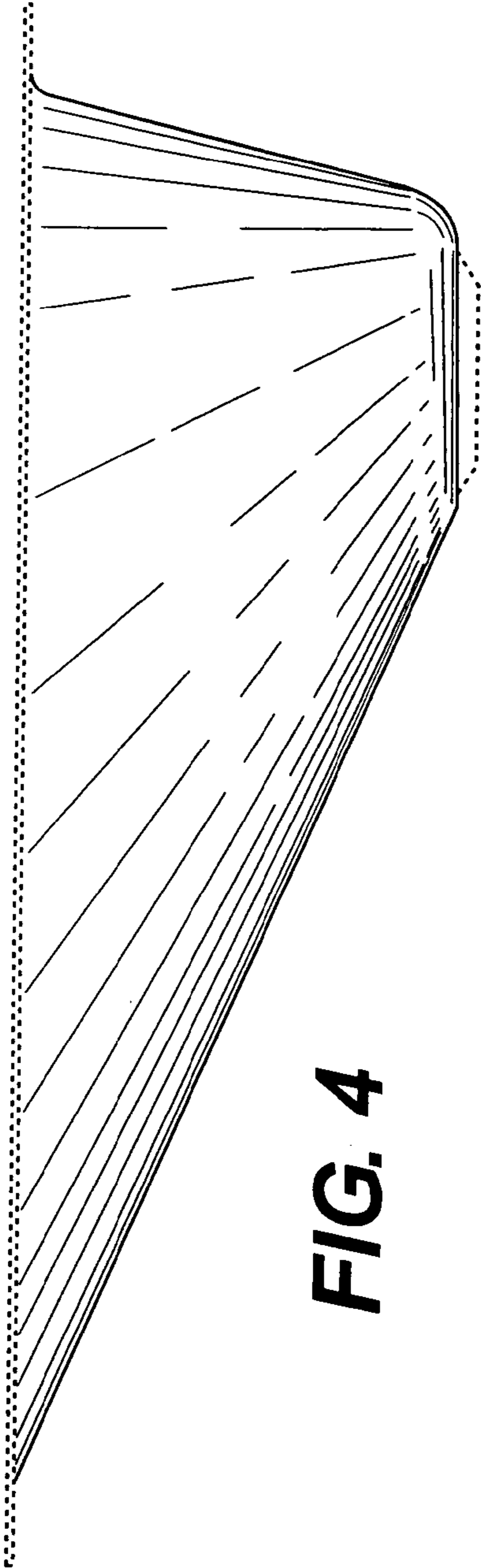


**FIG. 2**

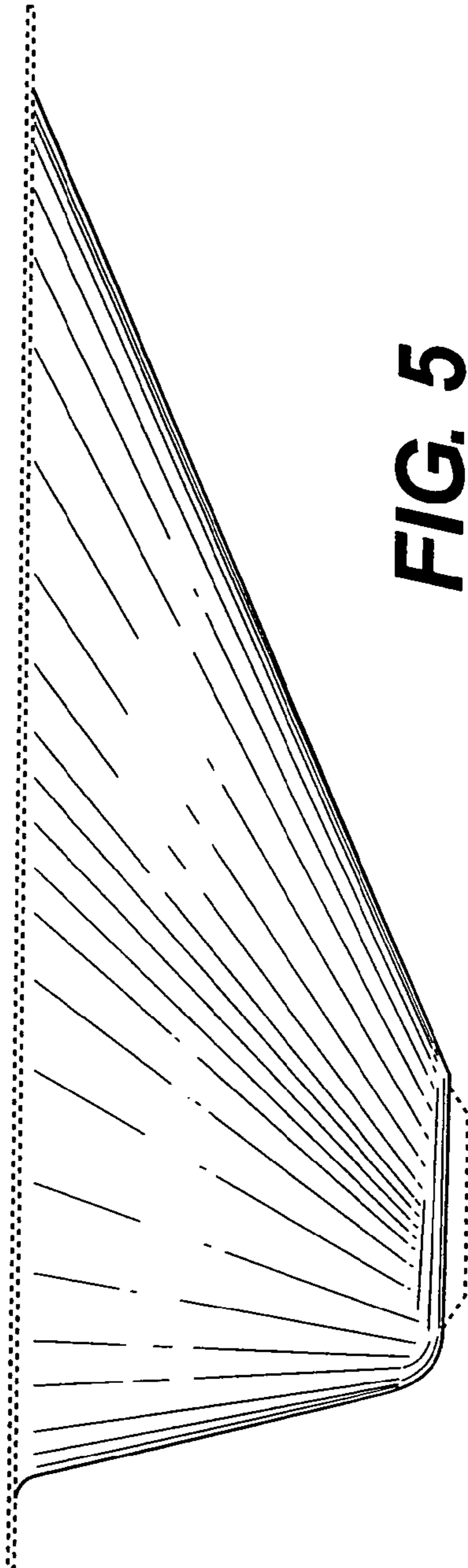


**FIG. 3**

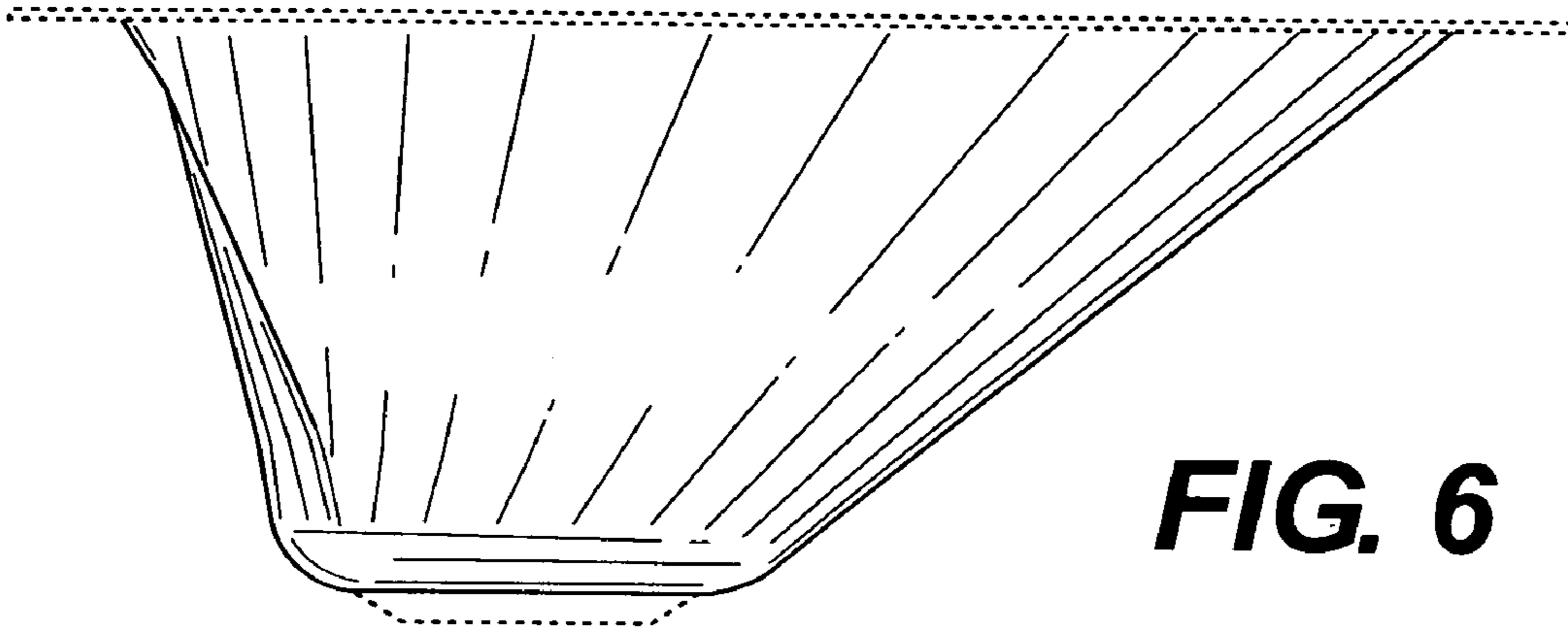




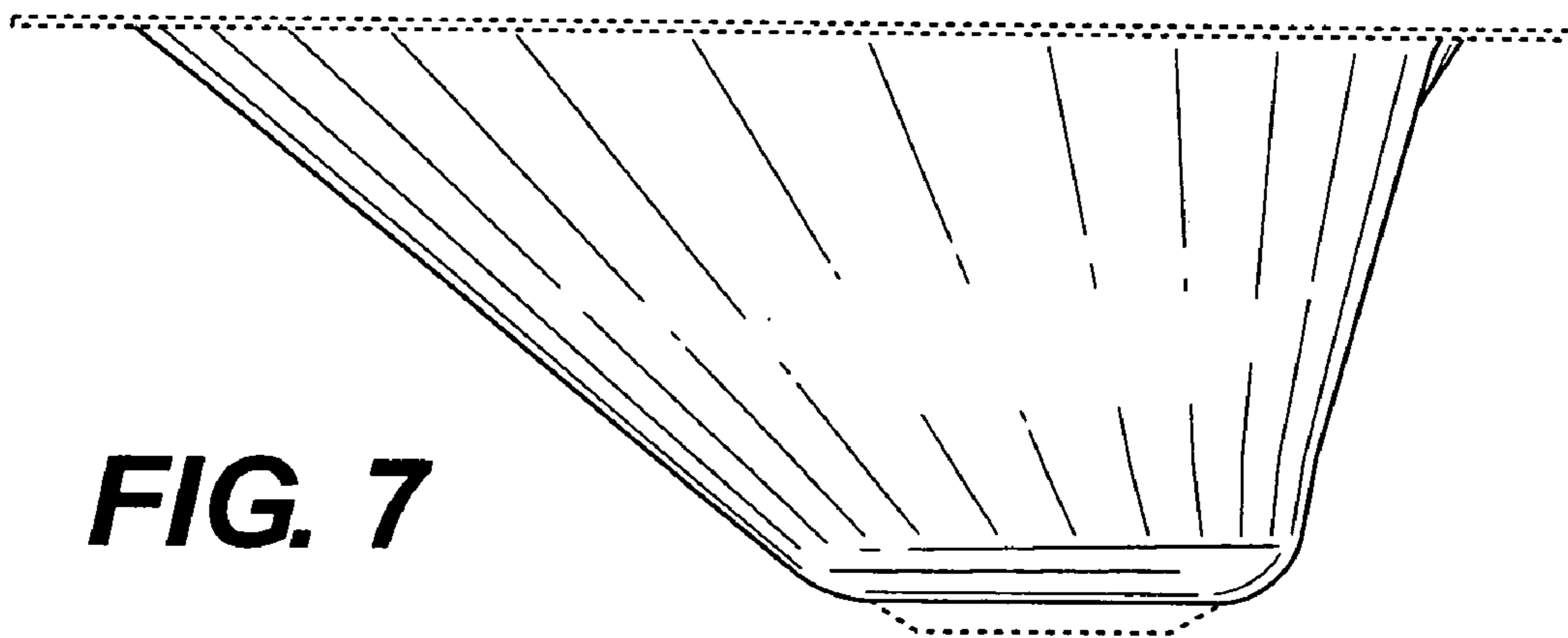
**FIG. 4**



**FIG. 5**



**FIG. 6**



**FIG. 7**