

US00D546424S

(12) **United States Design Patent** (10) **Patent No.:** **US D546,424 S**
Kohler, Jr. et al. (45) **Date of Patent:** **** Jul. 10, 2007**

(54) **SPOUT**

D317,350 S 6/1991 Freed
D478,151 S 8/2003 Ouyoung

(75) Inventors: **Herbert V. Kohler, Jr.**, Kohler, WI (US); **Howard M. Montgomery**, Sheboygan, WI (US); **Michael S. Smith**, Santa Monica, CA (US)

Primary Examiner—Louis S. Zarfes
Assistant Examiner—Gregory Andoll
(74) *Attorney, Agent, or Firm*—Quarles & Brady LLP

(73) Assignee: **Kohler Co.**, Kohler, WI (US)

(57) **CLAIM**

(**) Term: **14 Years**

The ornamental design for a spout, as shown and described.

(21) Appl. No.: **29/249,990**

DESCRIPTION

(22) Filed: **Oct. 30, 2006**

In a preferred embodiment, the nature of this product is as a plumbing fixture in the form of a bathtub spout primary useful for washing body parts.

Related U.S. Application Data

(62) Division of application No. 29/209,372, filed on Jul. 15, 2004, now Pat. No. Des. 531,280.

FIG. 1 is a left, top, front perspective view of a spout according to our new design;

(51) **LOC (8) Cl.** **23-01**

(52) **U.S. Cl.** **D23/255**

(58) **Field of Classification Search** D23/238–257;
4/675–678; 137/801

FIG. 2 is a left side elevational view thereof, the right side elevational view thereof being a mirror image of the left side shown;

FIG. 3 is a top plan view thereof;

See application file for complete search history.

FIG. 4 is a front elevational view thereof;

FIG. 5 is a bottom plan view thereof; and,

FIG. 6 is a rear elevational view thereof.

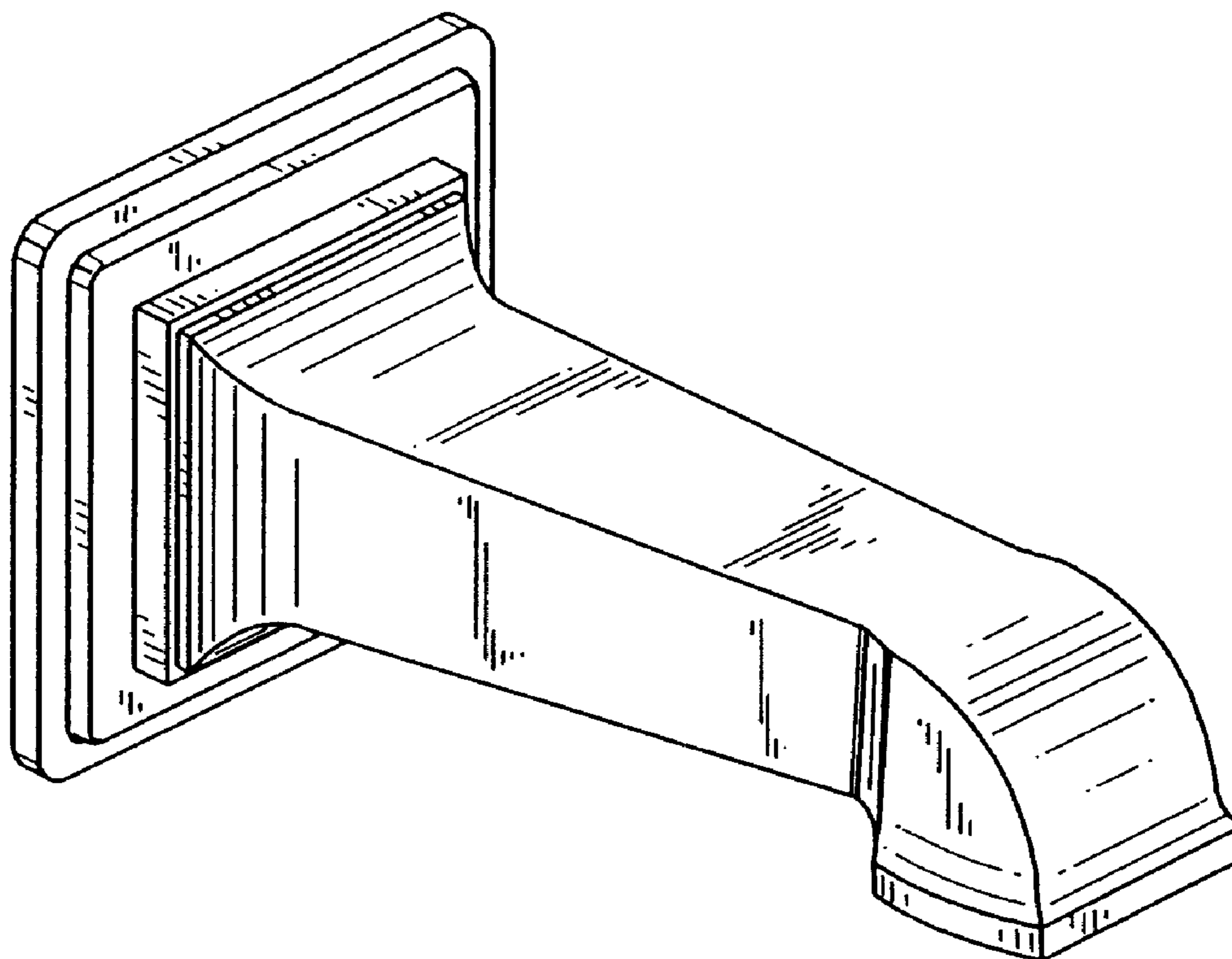
(56) **References Cited**

U.S. PATENT DOCUMENTS

D76,996 S 11/1928 Fraser
D85,397 S 10/1931 Sakier
D87,829 S 9/1932 Ferguson
D117,171 S 10/1939 Fraser

The broken line representations of an aerator in FIGS. 2, 4 and 5 and of a mounting structure in FIG. 6, are for the purpose of illustration only, and form no part of the claimed design.

1 Claim, 2 Drawing Sheets



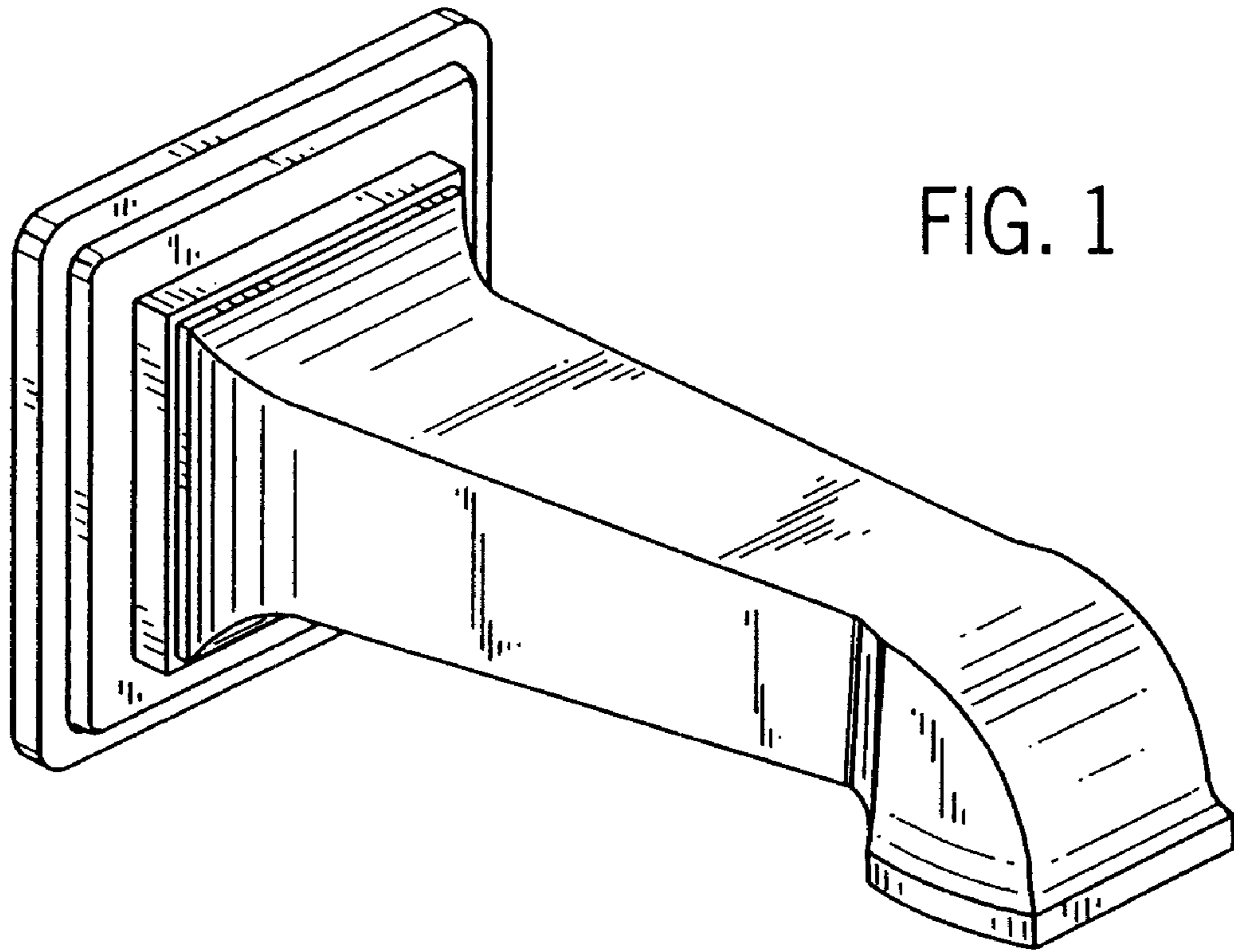


FIG. 1

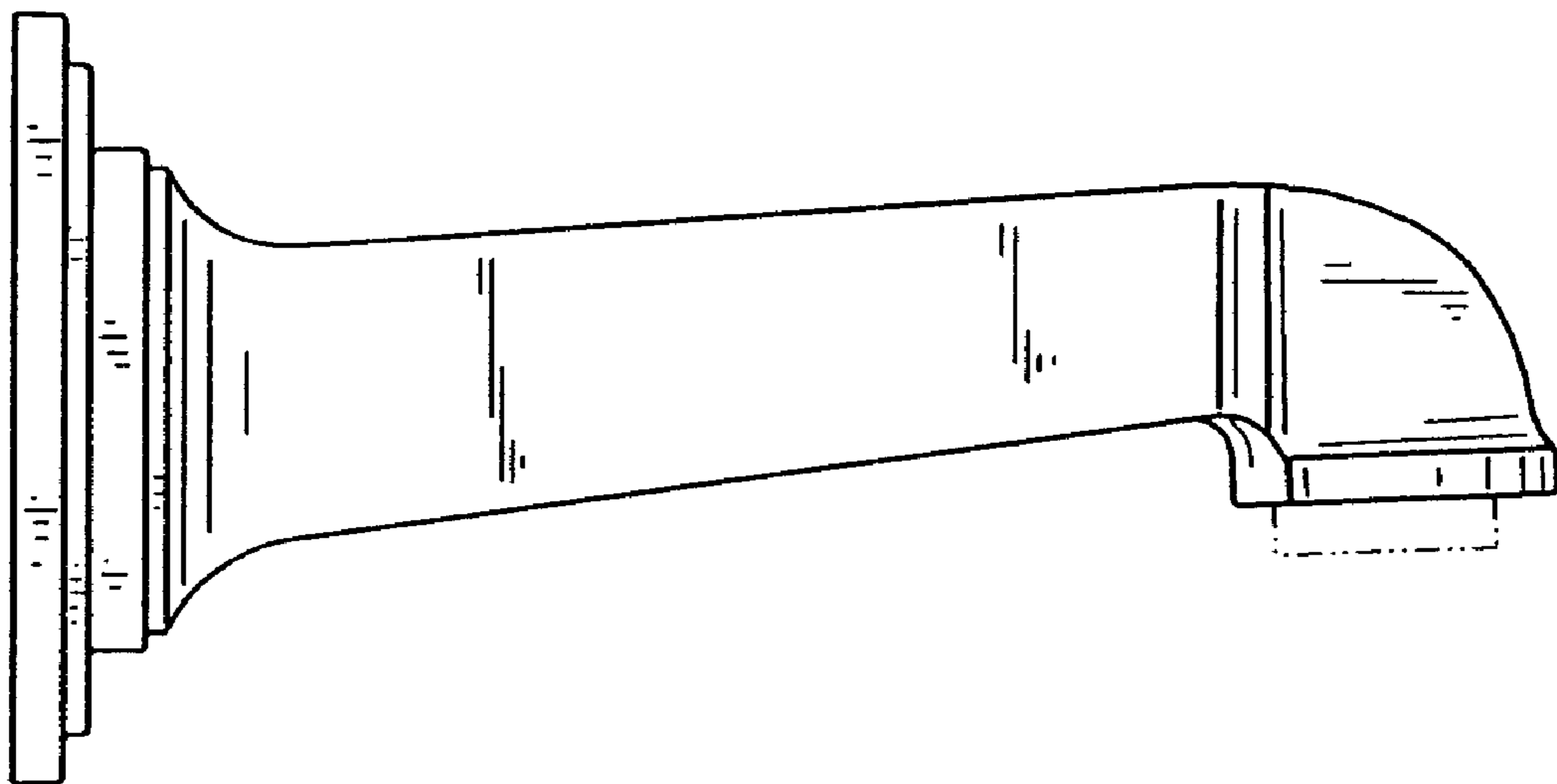


FIG. 2

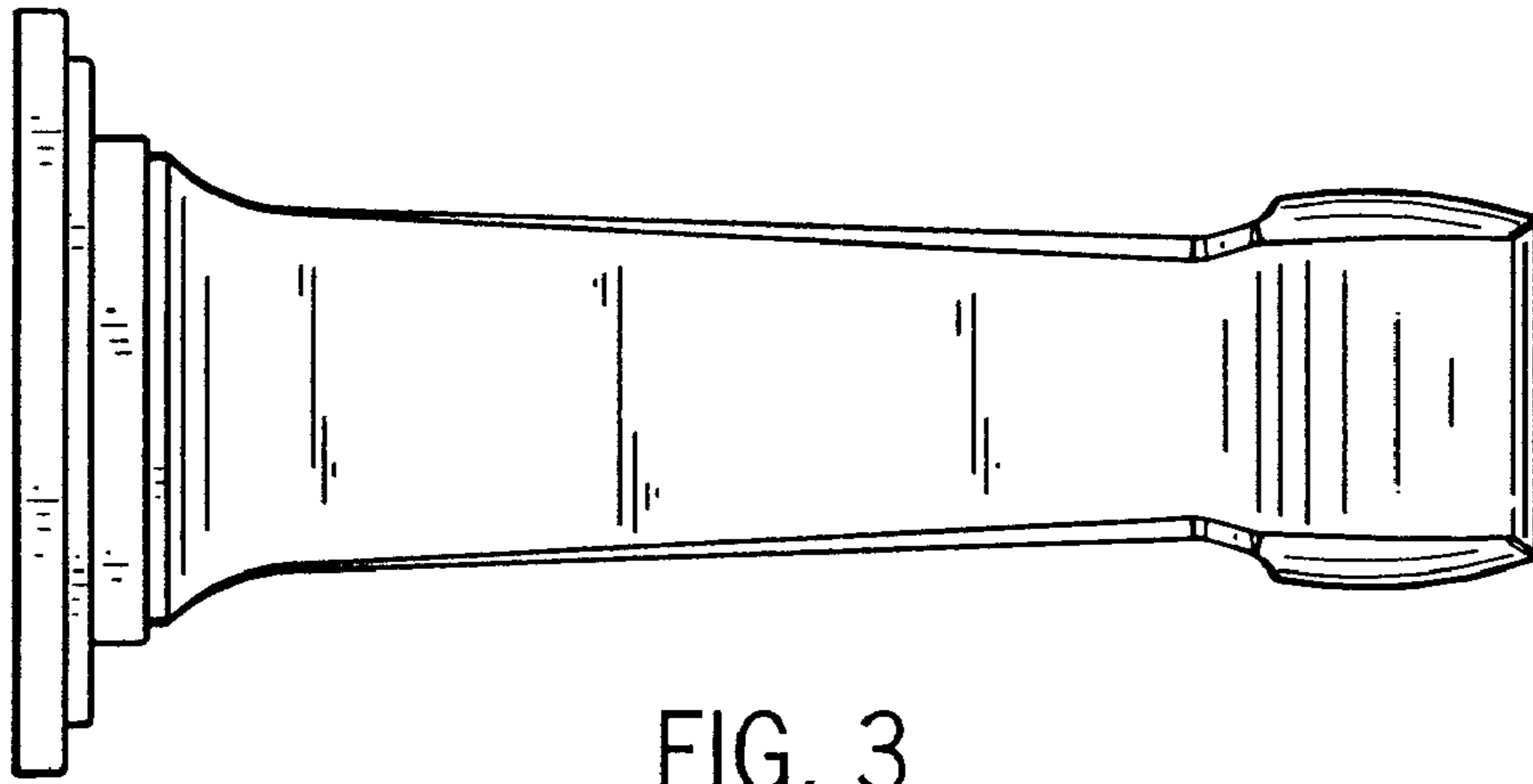


FIG. 3

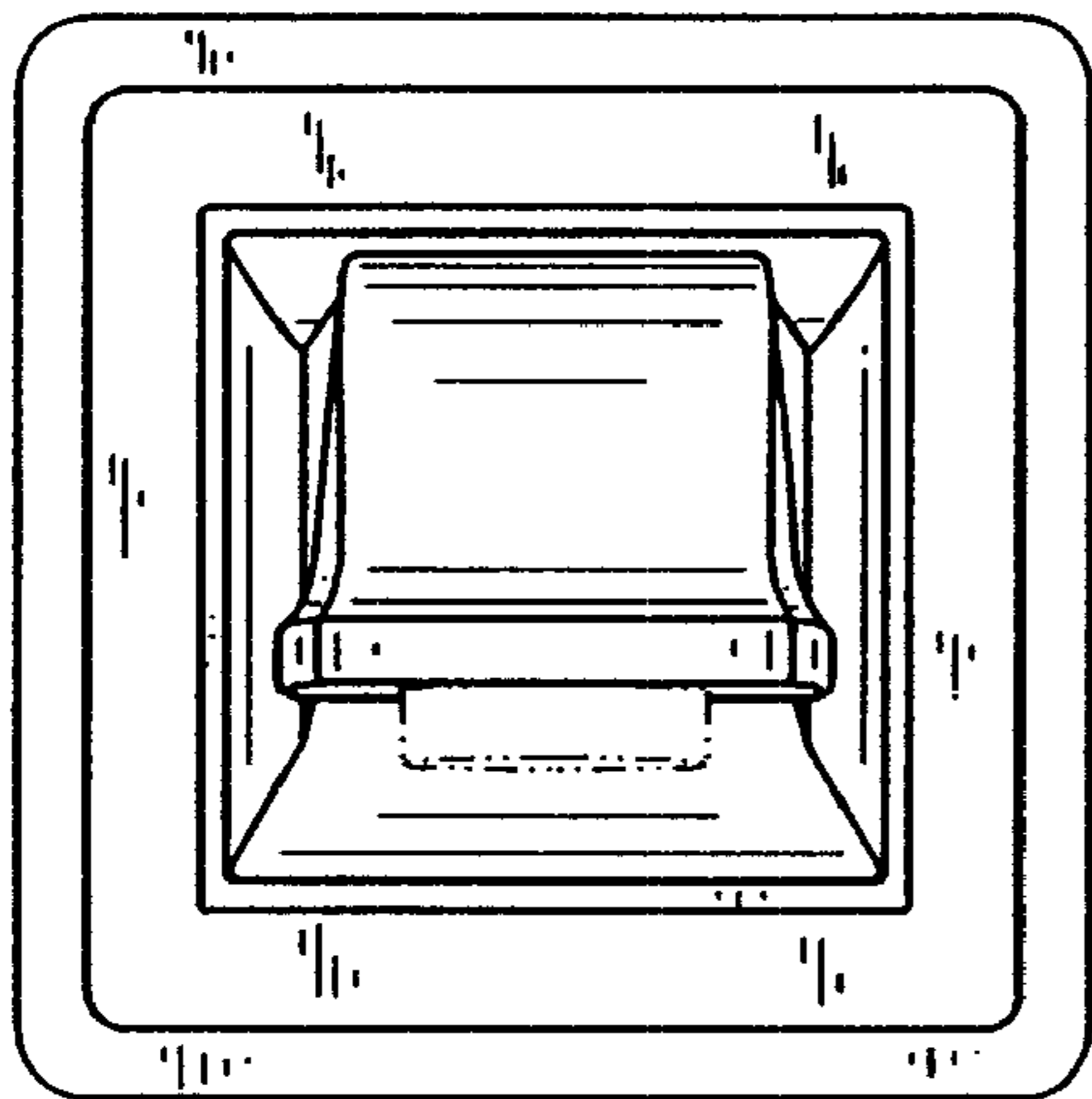


FIG. 4

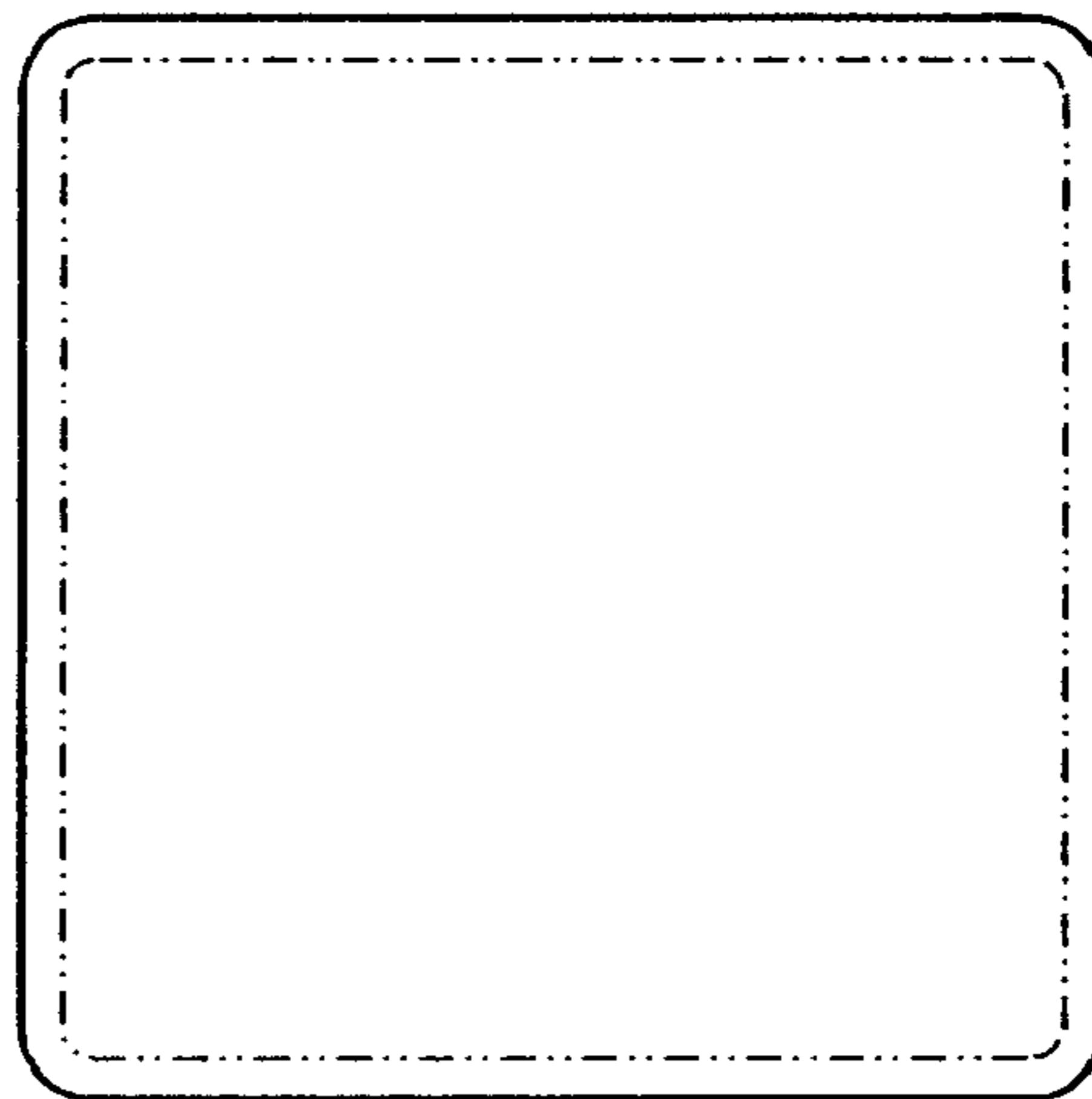


FIG. 6

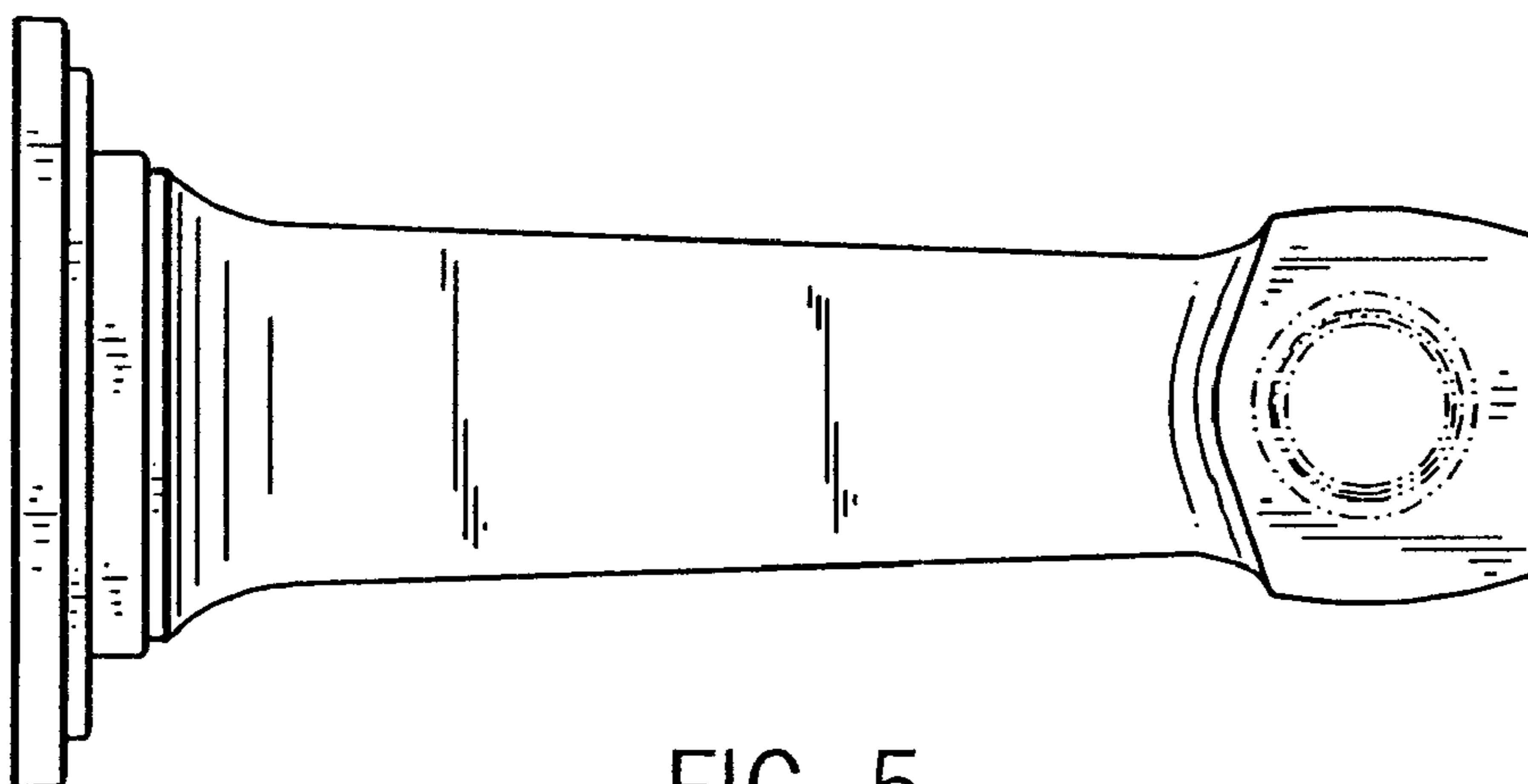


FIG. 5