

US00D546423S

(12) **United States Design Patent**  
**Kennard**

(10) **Patent No.:** **US D546,423 S**

(45) **Date of Patent:** **\*\* Jul. 10, 2007**

(54) **HANDLE**

(75) **Inventor:** **Dan Kennard**, Norcross, GA (US)

(73) **Assignee:** **Fusion Hardware Group Inc.**,  
Norcross, GA (US)

(\*\*) **Term:** **14 Years**

(21) **Appl. No.:** **29/246,541**

(22) **Filed:** **Apr. 21, 2006**

(51) **LOC (8) Cl.** ..... **23-01**

(52) **U.S. Cl.** ..... **D23/252**

(58) **Field of Classification Search** ..... D23/238-257;  
D8/250-257, 300-322, DIG. 3; 16/110.1;  
4/675-678; 137/801

See application file for complete search history.

(56) **References Cited**

**U.S. PATENT DOCUMENTS**

D378,231 S \* 2/1997 Dubin ..... D23/252  
D495,781 S \* 9/2004 Lin ..... D23/252  
D495,782 S \* 9/2004 Lin ..... D23/252

D507,632 S \* 7/2005 Kennard ..... D23/252  
D508,554 S \* 8/2005 Kennard ..... D23/252  
D514,666 S \* 2/2006 Kennard ..... D23/252

\* cited by examiner

*Primary Examiner*—Louis S. Zarfaz

*Assistant Examiner*—Gregory Andoll

(74) *Attorney, Agent, or Firm*—Leong C. Lei

(57) **CLAIM**

The ornamental design for a handle, as shown and described.

**DESCRIPTION**

FIG. 1 is a perspective view of a handle showing my new design;

FIG. 2 is a front elevational view thereof;

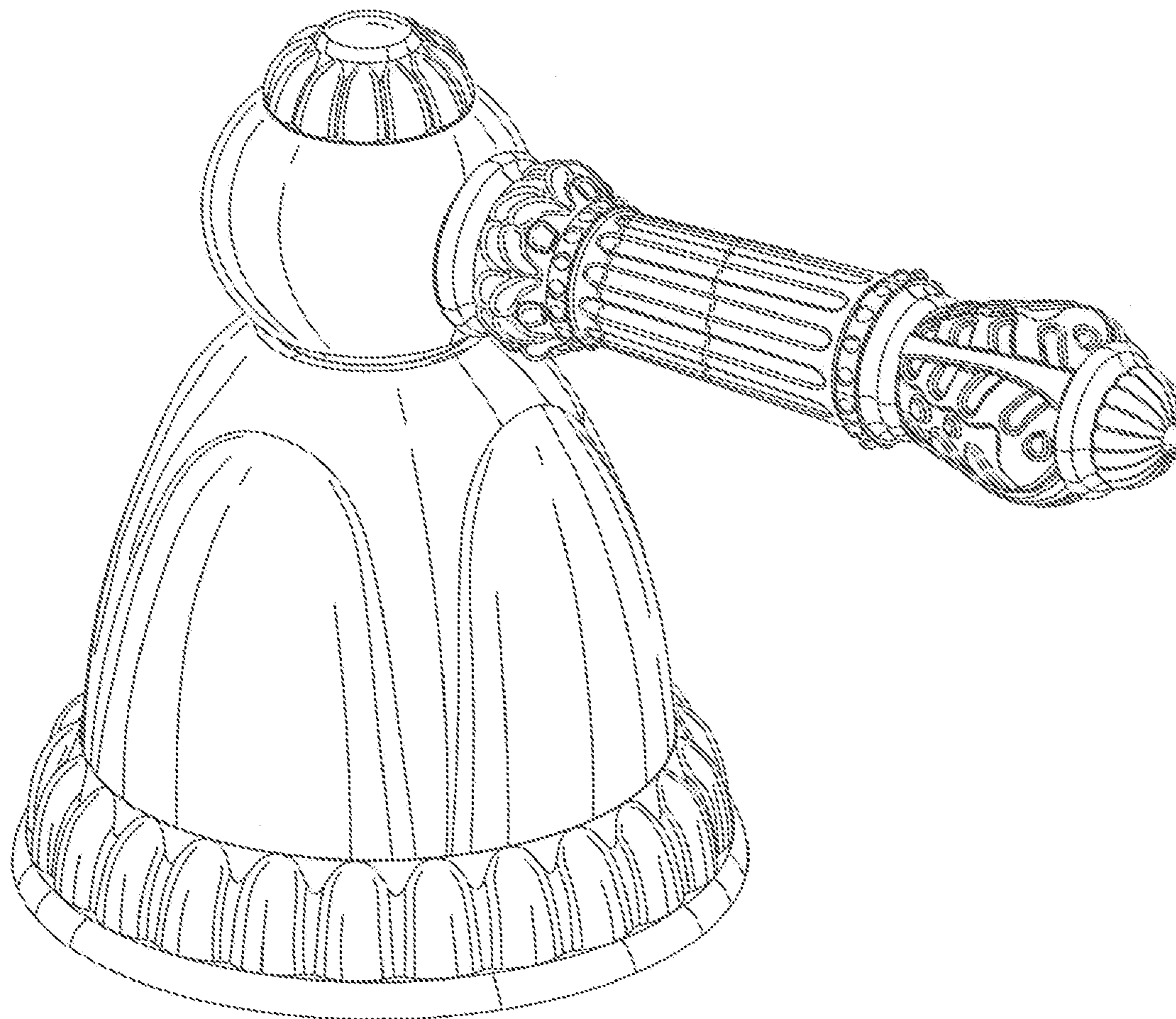
FIG. 3 is a rear elevational view thereof;

FIG. 4 is a left side elevational view thereof;

FIG. 5 is a right side elevational view thereof; and,

FIG. 6 is a top plan view thereof.

**1 Claim, 6 Drawing Sheets**



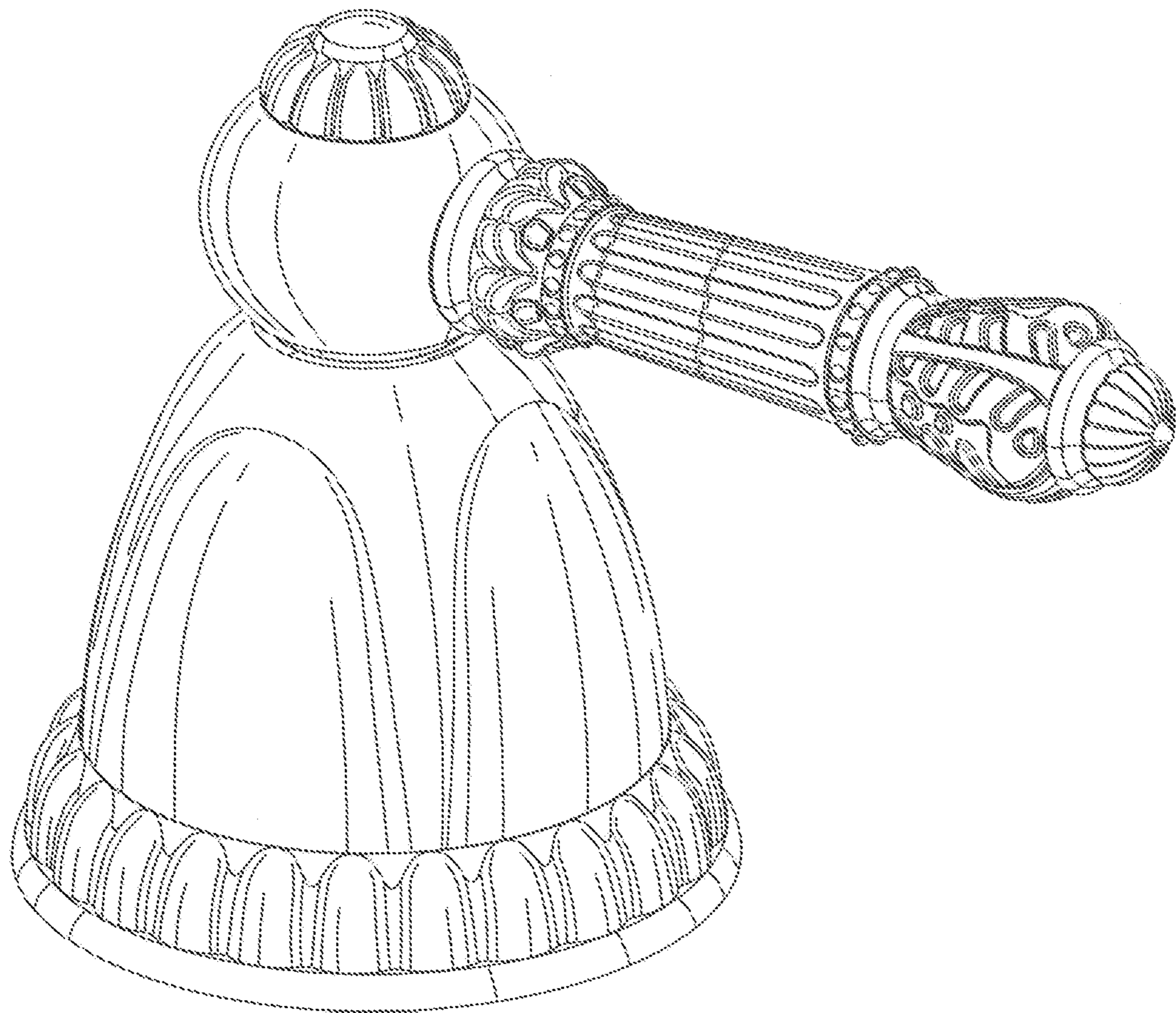


FIG. 1

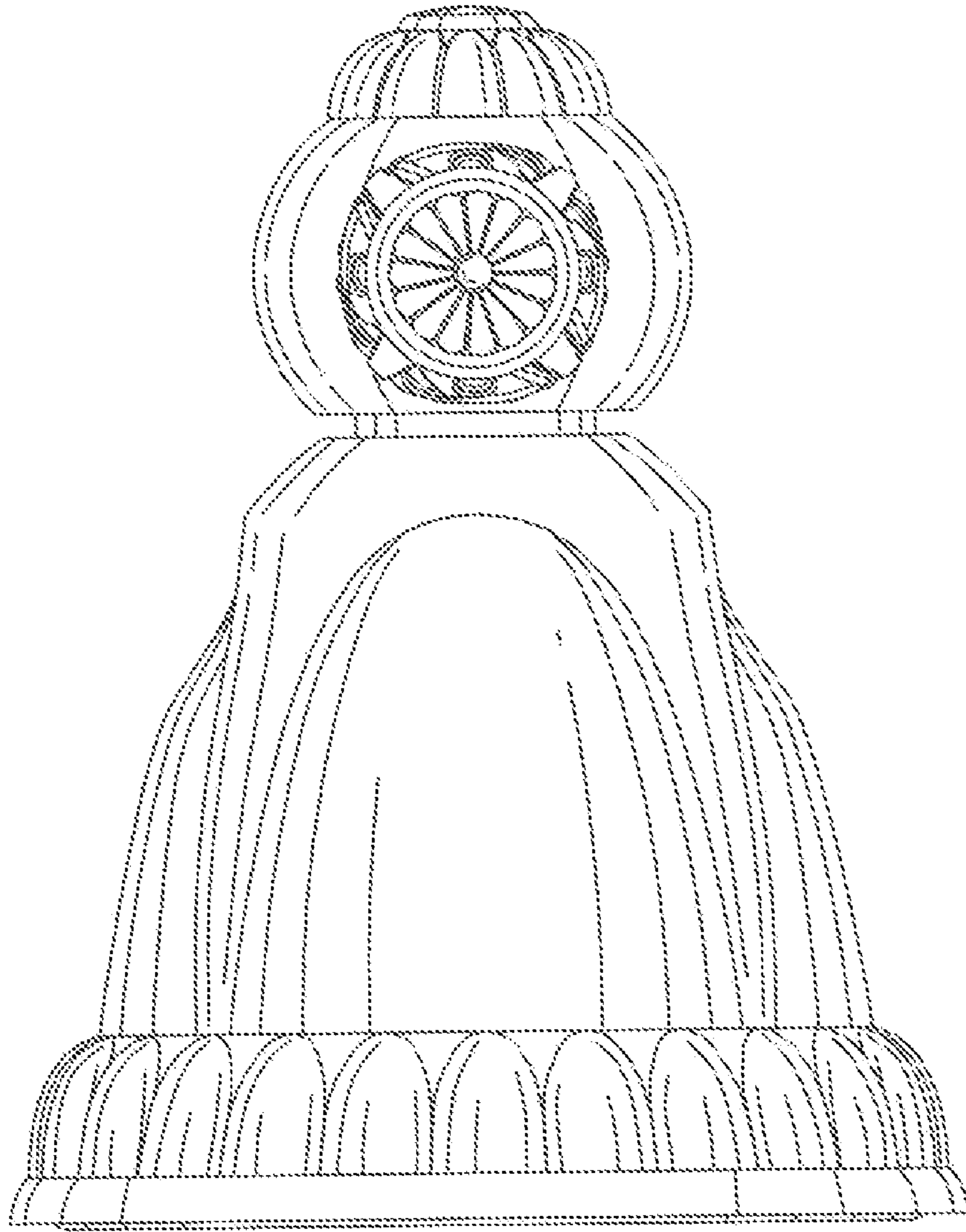


FIG. 2

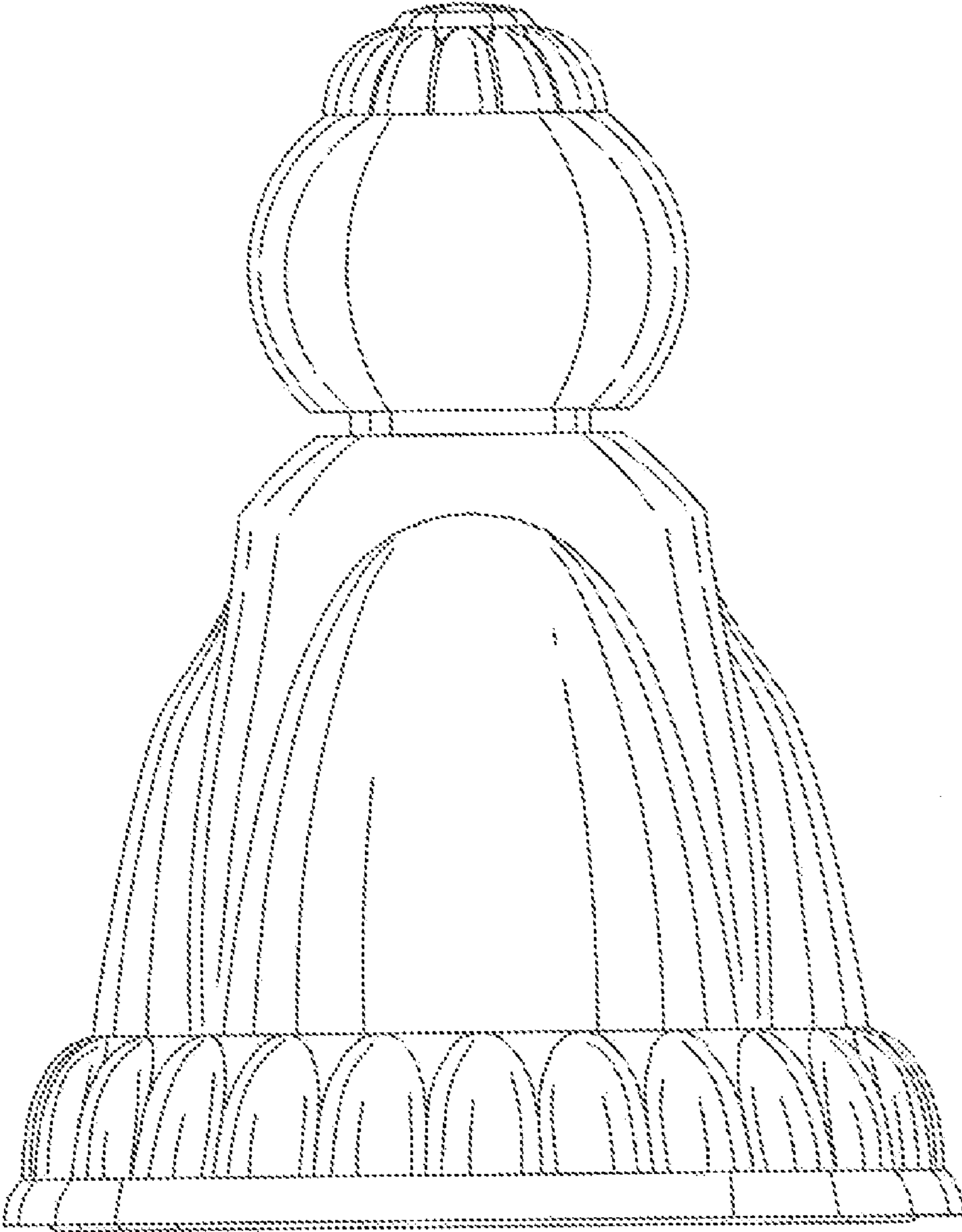


FIG. 3

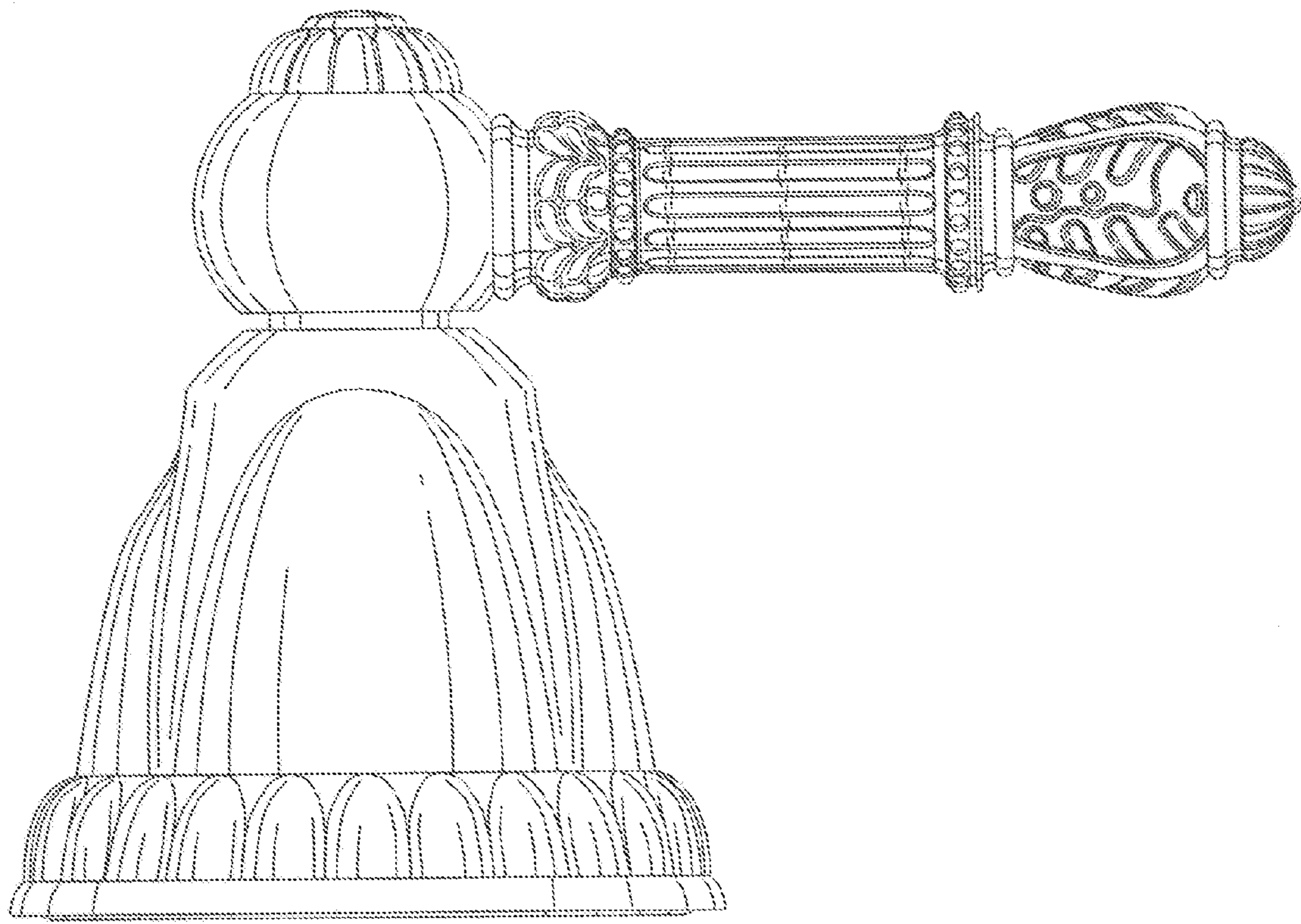


FIG. 4

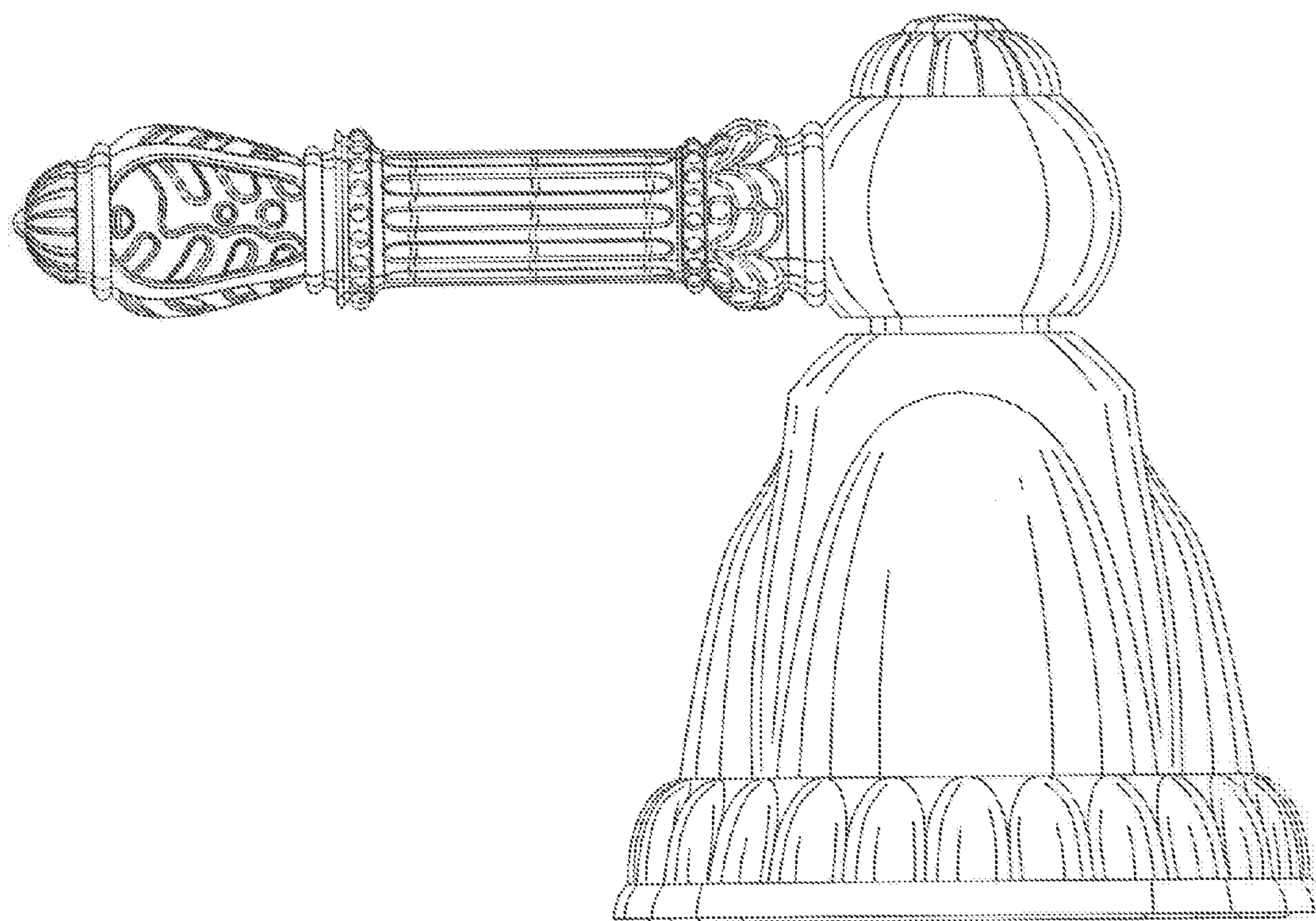


FIG. 5

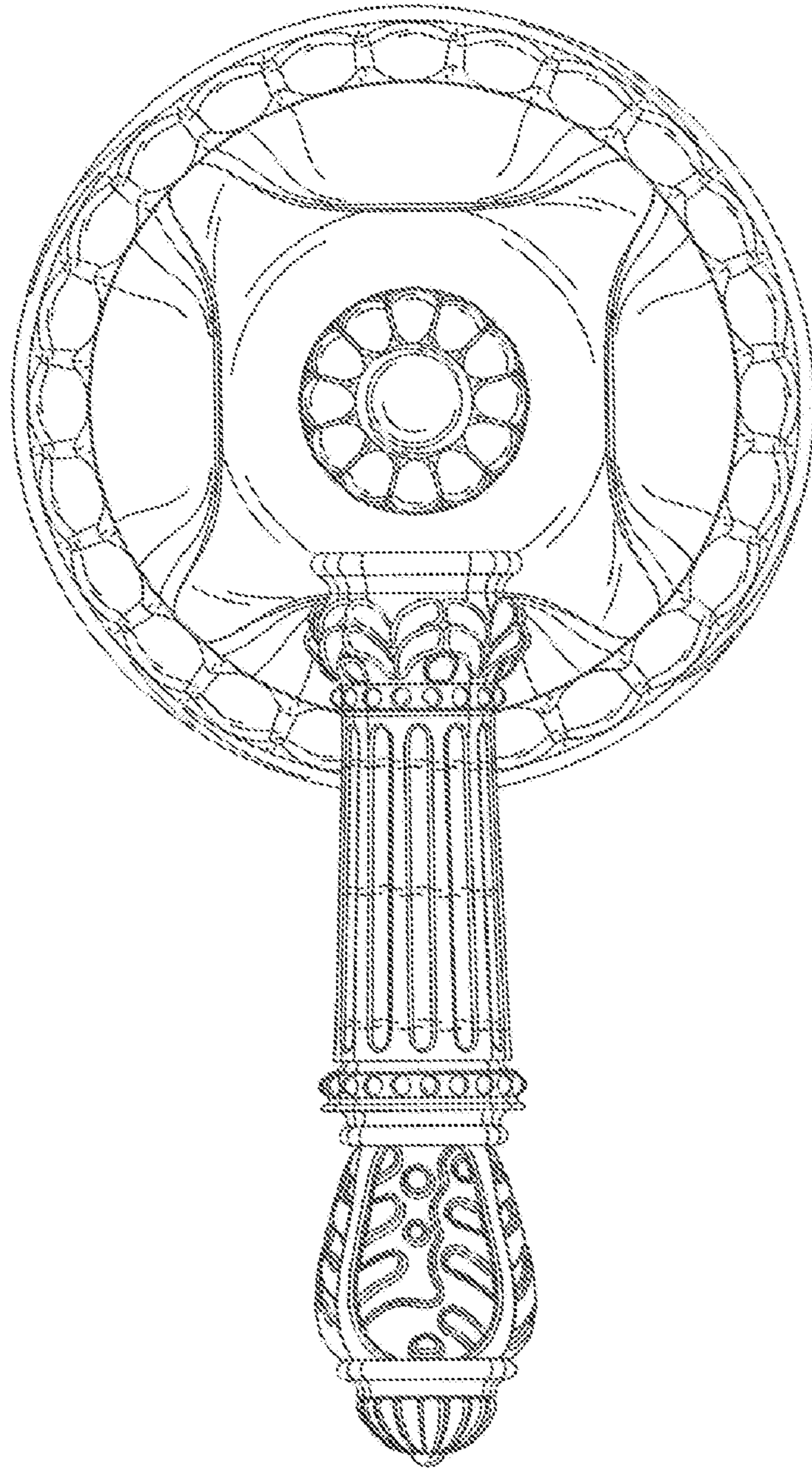


FIG. 6