

US00D546421S

(12) **United States Design Patent** (10) **Patent No.:** **US D546,421 S**
Kulig et al. (45) **Date of Patent:** **** Jul. 10, 2007**

(54) **FAUCET**

(75) Inventors: **Zbigniew Kulig**, Wadsworth, IL (US);
Piotr Rulka, Krakow (PL)

(73) Assignee: **Graff Faucets**, Milwaukee, WI (US)

(**) Term: **14 Years**

(21) Appl. No.: **29/200,369**

(22) Filed: **Feb. 26, 2004**

(51) **LOC (8) Cl.** **23-01**

(52) **U.S. Cl.** **D23/241; D23/242**

(58) **Field of Classification Search** **D23/238-257;**
4/675-678; 137/801

See application file for complete search history.

(56) **References Cited**

U.S. PATENT DOCUMENTS

D304,225 S	10/1989	Lathrop	D23/257	
D420,430 S	*	2/2000	Lobermeier	D23/238
D466,977 S	*	12/2002	Cummings	D23/238
D479,581 S	*	9/2003	Haug et al.	D23/238
D489,795 S		5/2004	Kulig et al.		

OTHER PUBLICATIONS

- Kulig, U.S. Appl. No. 29/200,362, filed Feb. 26, 2004, entitled "Faucet".
- Kulig, U.S. Appl. No. 29/210,960, filed Aug. 9, 2004, allowed May 17, 2005, entitled "Faucet".
- Kulig, U.S. Appl. No. 29/200,374, filed Feb. 26, 2004, allowed May 17, 2005, entitled "Faucet".
- Kulig, U.S. Appl. No. 29/200,372, filed Feb. 26, 2004, allowed May 17, 2005, entitled "Faucet".
- Kulig, U.S. Appl. No. 29/200,370, filed Feb. 26, 2004, allowed May 17, 2005, entitled "Faucet".
- Kulig, et al., U.S. Appl. No. 29/200,367, filed Feb. 26, 2004, entitled "Faucet".
- Kulig, et al., U.S. Appl. No. 29/200,363, filed Feb. 26, 2004, allowed May 17, 2005, entitled "Faucet".
- Kulig, et al., U.S. Appl. No. 29/200,364, filed Feb. 26, 2004, allowed May 17, 2005, entitled "Faucet".

Kulig, et al., U.S. Appl. No. 29/200,375, filed Feb. 26, 2004, allowed May 17, 2005, entitled "Faucet".

Kulig, et al., U.S. Appl. No. 29/200,361, filed Feb. 26, 2004, allowed May 17, 2005, entitled "Faucet".

Kulig, et al., U.S. Appl. No. 29/200,368, filed Feb. 26, 2004, allowed May 17, 2005, entitled "Faucet Handle".

Kulig, U.S. Appl. No. 29/200,371, filed Feb. 26, 2004, allowed May 17, 2005, entitled "Faucet Handle".

Kulig, U.S. Appl. No. 29/200,366, filed Feb. 26, 2004, allowed May 17, 2005, entitled "Faucet".

Kulig, et al., U.S. Appl. No. 29/200,373, filed Feb. 26, 2004, entitled "Faucet Handle".

Kulig, U.S. Appl. No. 29/200,365, filed Feb. 26, 2004, entitled "Faucet".

* cited by examiner

Primary Examiner—Louis S. Zarfaz

Assistant Examiner—Gregory Andoll

(74) *Attorney, Agent, or Firm*—Boyle Fredrickson
Newholm Stein & Gratz S.C.

(57) **CLAIM**

The ornamental design for a faucet, as shown and described.

DESCRIPTION

FIG. 1 is perspective view of a faucet incorporating my new design, viewed from in front of, above, and from the left side of the faucet;

FIG. 2 is a front elevation view thereof;

FIG. 3 is a rear elevation view thereof;

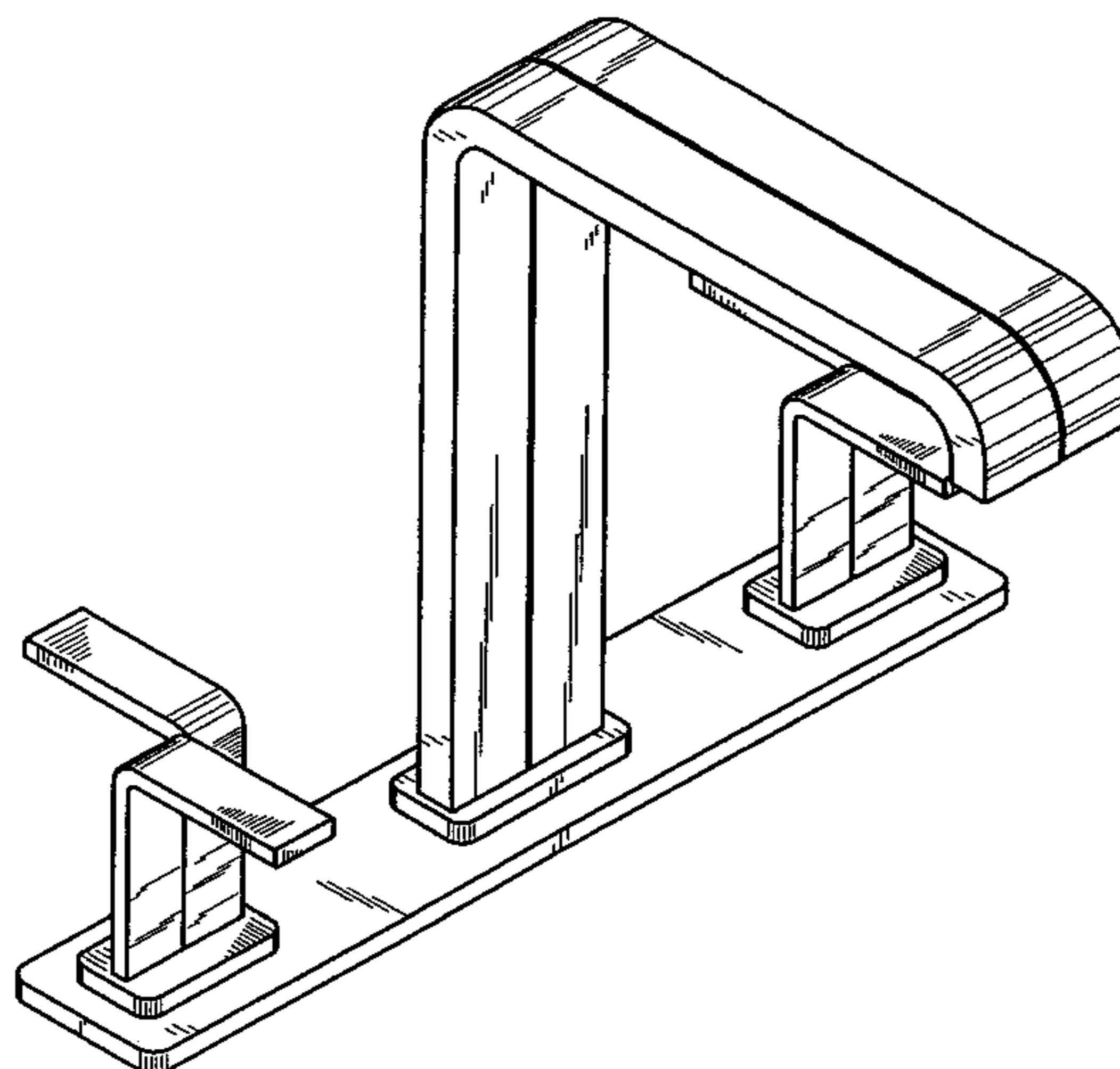
FIG. 4 is a top plan view thereof;

FIG. 5 is a bottom plan view thereof; and,

FIG. 6 is a left-side elevation view thereof, with the right side being a mirror image of the left side.

The broken lines in FIG. 5 are for illustrative purposes only and form no part of the claimed design.

1 Claim, 6 Drawing Sheets



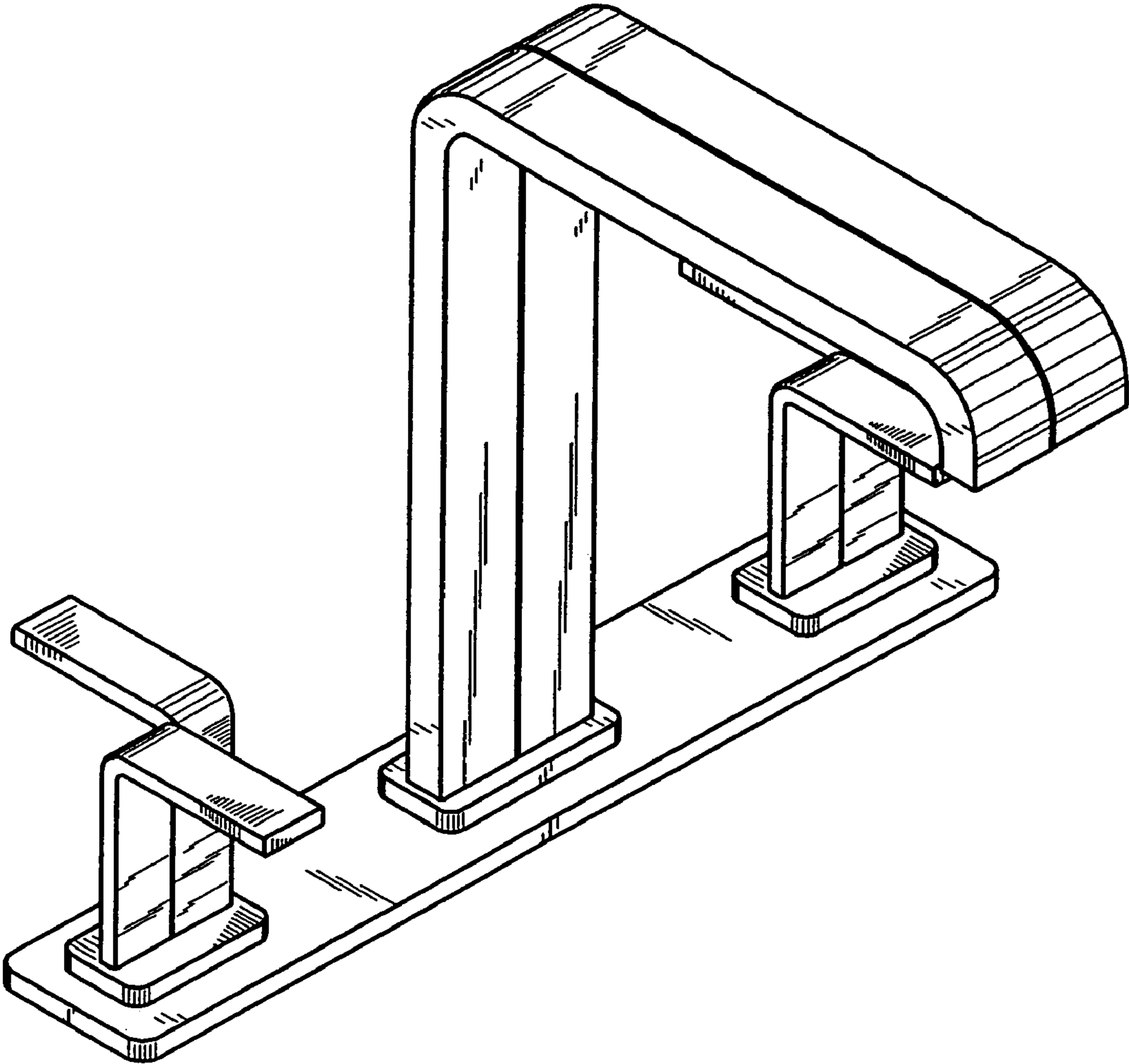


FIG. 1

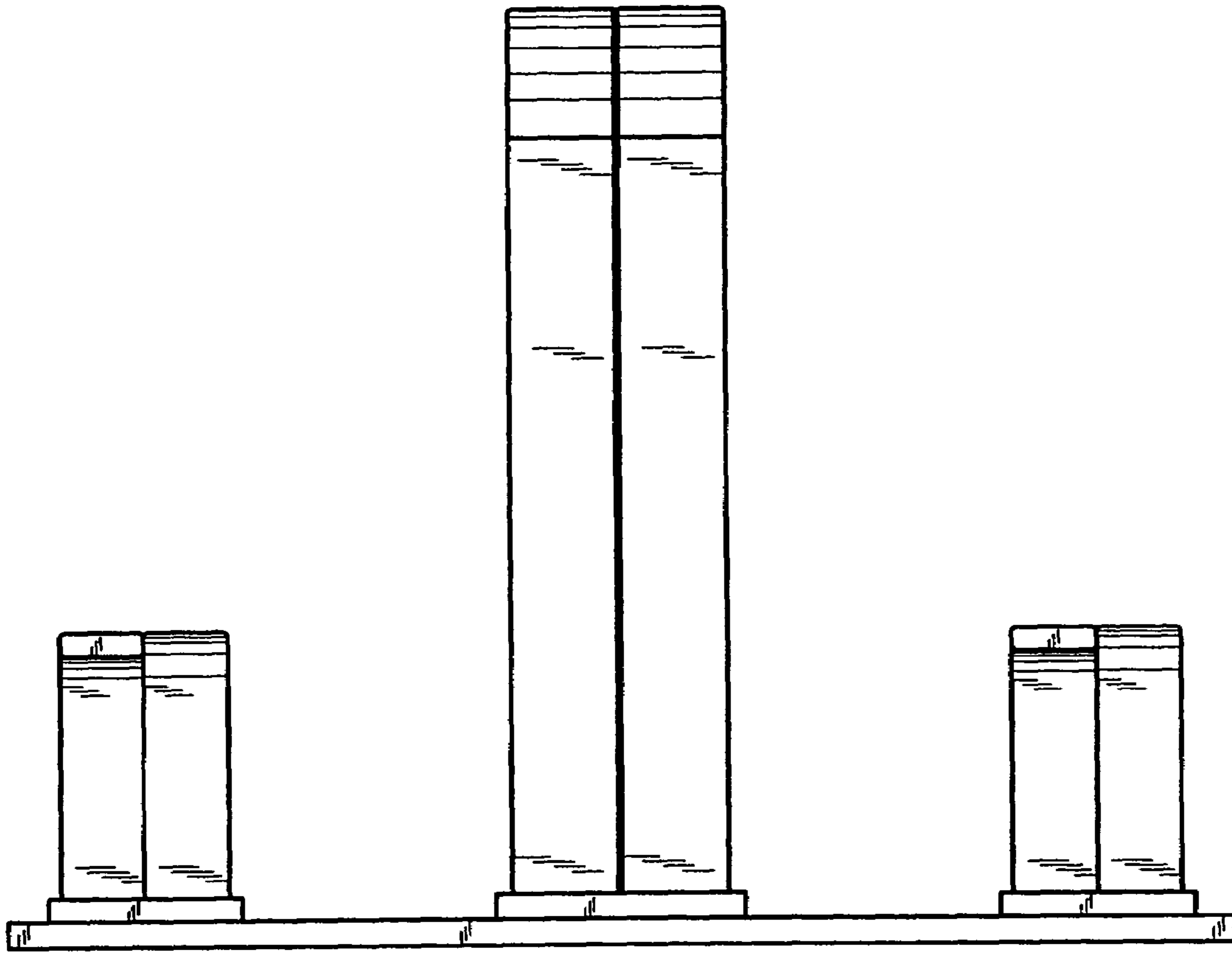


FIG. 2

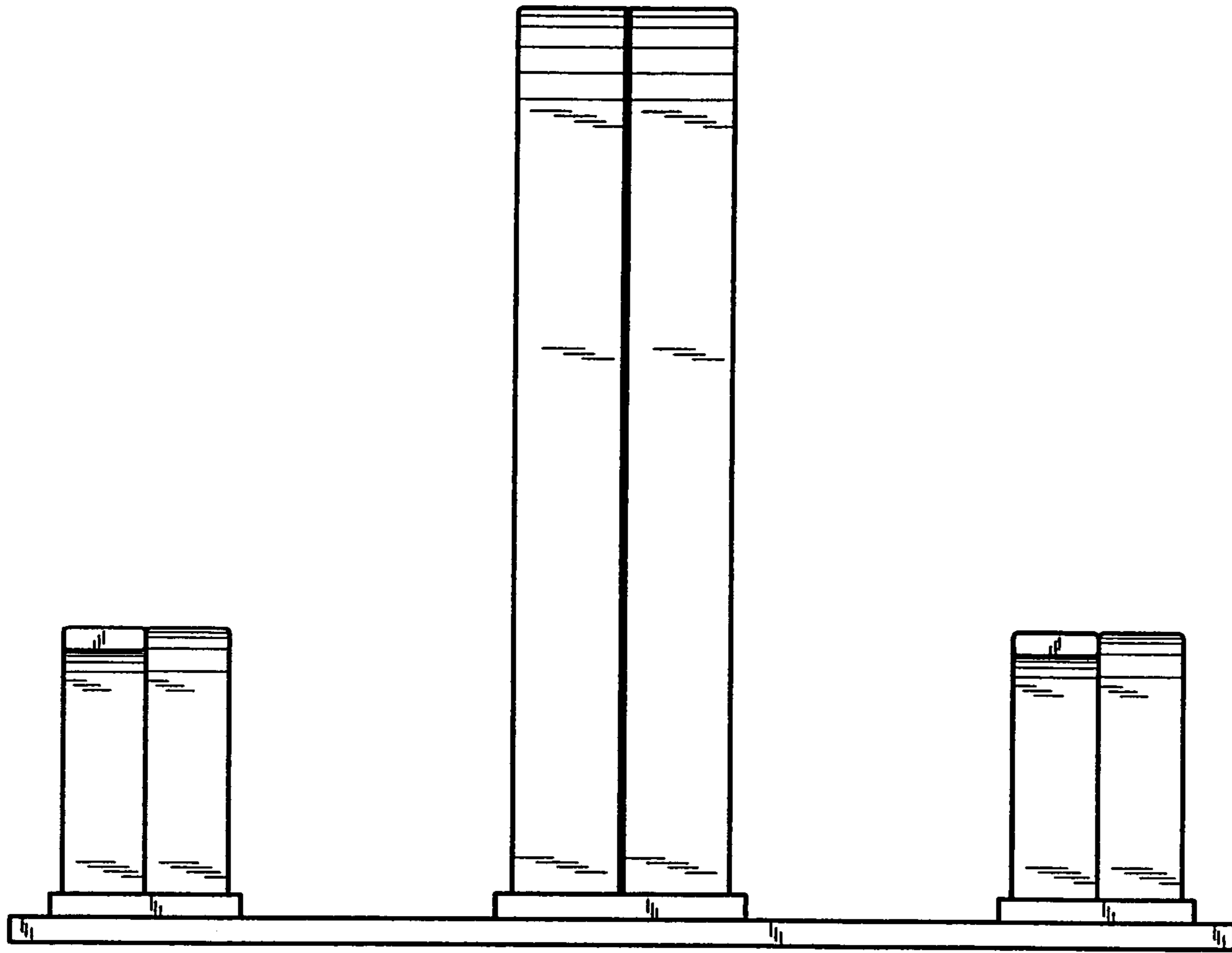


FIG. 3

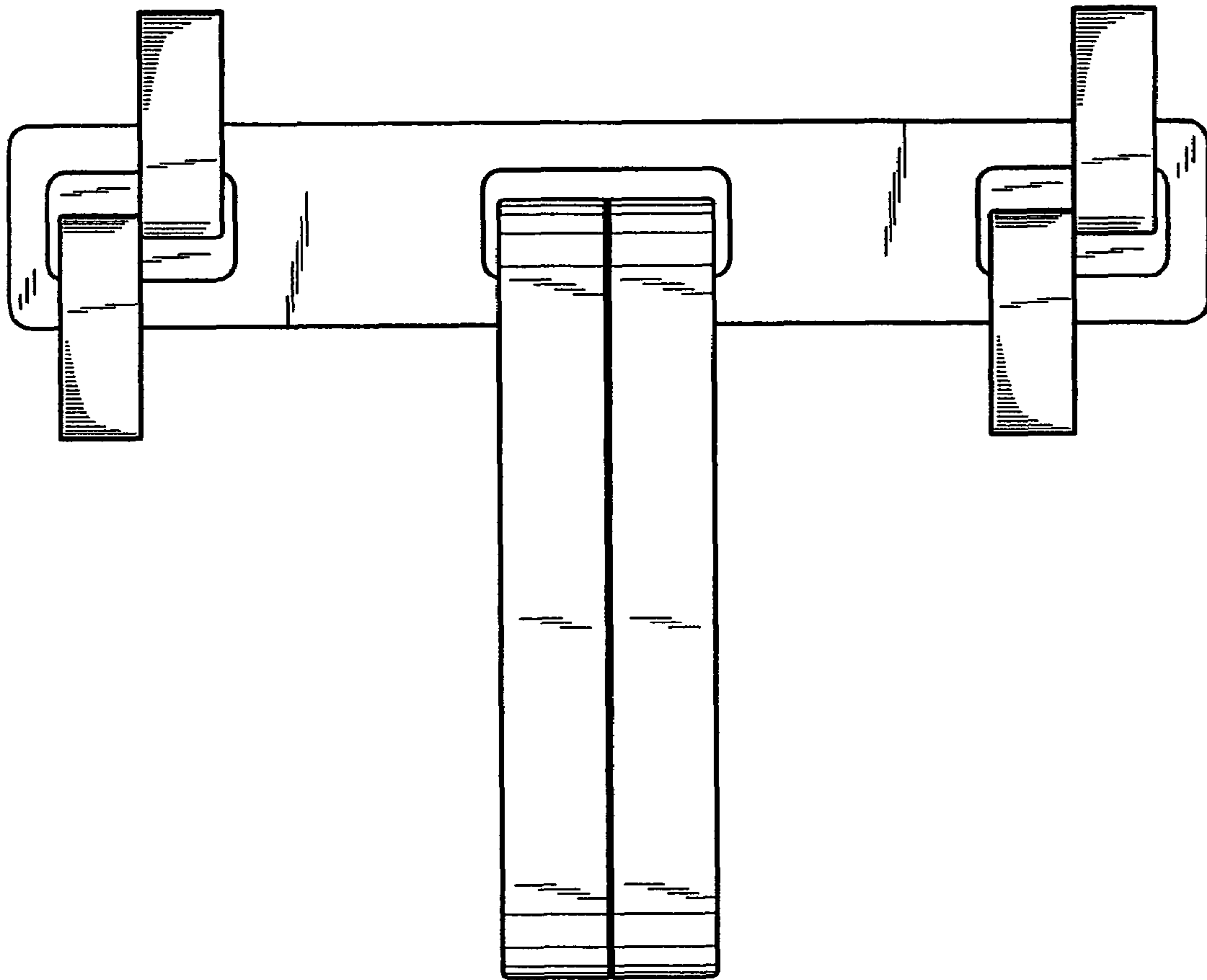


FIG. 4

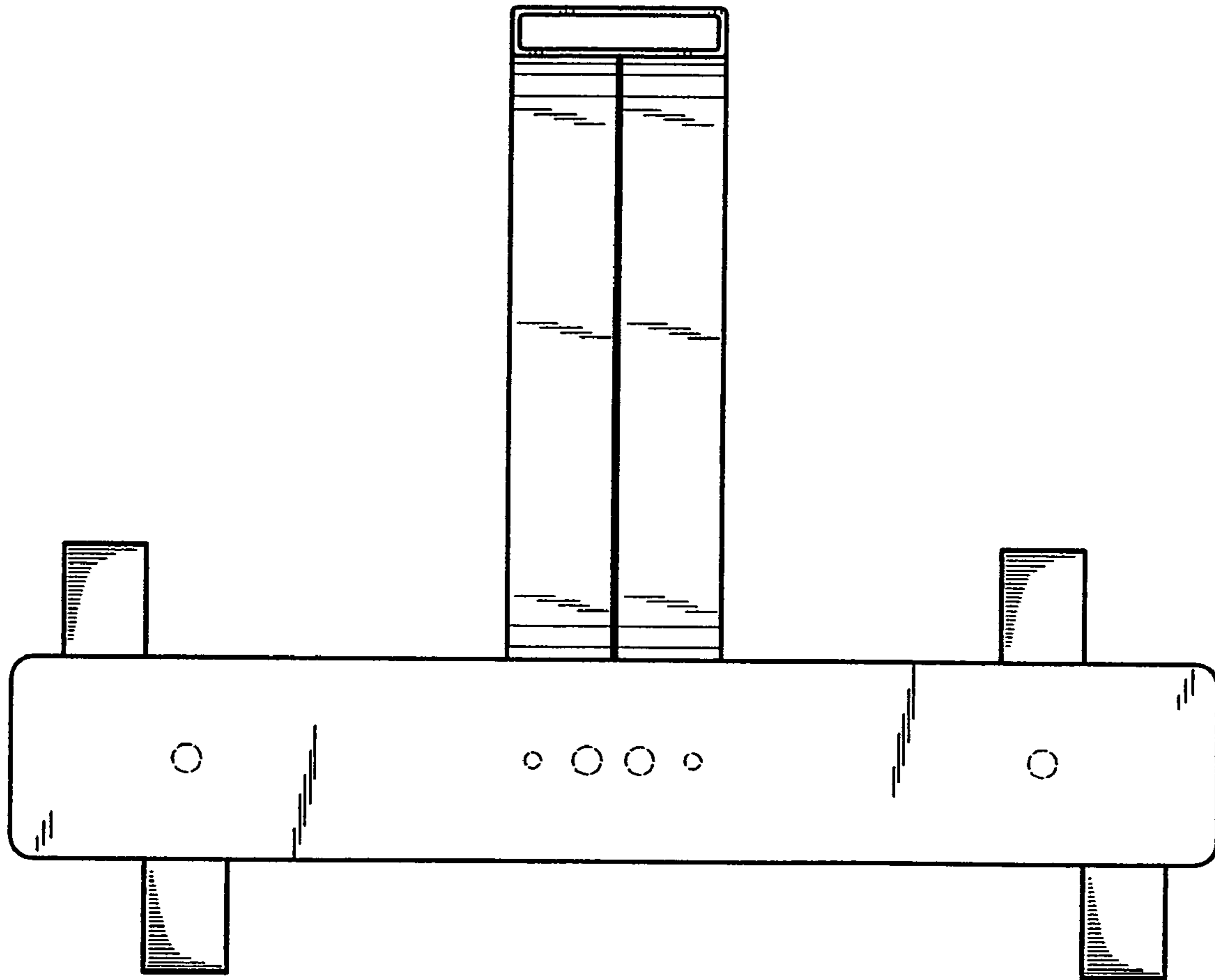


FIG. 5

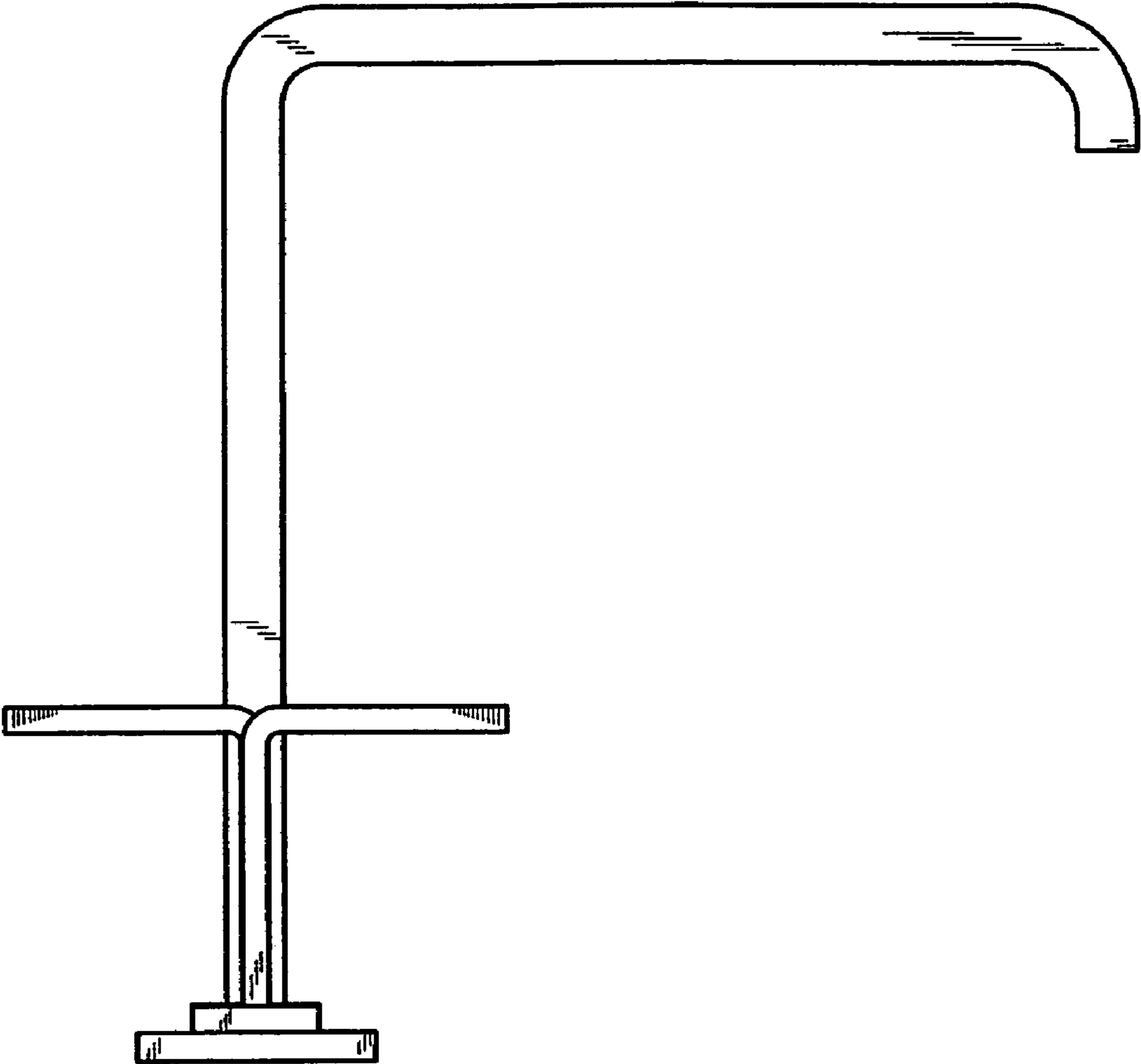


FIG. 6