

US00D546420S

(12) **United States Design Patent**
Matsumoto et al.

(10) **Patent No.:** **US D546,420 S**
(45) **Date of Patent:** **** Jul. 10, 2007**

(54) **ELECTROMAGNETIC VALVE**

(75) Inventors: **Takumi Matsumoto**, Tsukubamirai
(JP); **Kazuhiro Noguchi**, Tsukubamirai
(JP)

(73) Assignee: **SMC Corporation**, Chiyoda-ku, Tokyo
(JP)

(**) Term: **14 Years**

(21) Appl. No.: **29/262,070**

(22) Filed: **Jun. 26, 2006**

(30) **Foreign Application Priority Data**

Dec. 27, 2005 (JP) 2005-038186

(51) **LOC (8) Cl.** **23-01**

(52) **U.S. Cl.** **D23/233**

(58) **Field of Classification Search** D23/233-237,
D23/244-249; D15/5, 7, 199; 137/554,
137/557, 560, 882, 884, 269, 271, 343, 625.64;
251/596.13, 596.16, 331, 219, 15, 130, 129.04;
4/304

See application file for complete search history.

(56) **References Cited**

U.S. PATENT DOCUMENTS

D335,172 S * 4/1993 Tamaki D23/248
D338,258 S * 8/1993 Tamaki D23/248
D338,516 S * 8/1993 Tamaki D23/248
D409,279 S * 5/1999 Hayashi et al. D23/233

D416,309 S * 11/1999 Hayashi et al. D23/233
D524,910 S * 7/2006 Matsumoto et al. D23/233
D533,254 S * 12/2006 Miyazoe et al. D23/233
D533,255 S * 12/2006 Miyazoe et al. D23/233

* cited by examiner

Primary Examiner—Charles A. Rademaker

Assistant Examiner—Maurice Stevens

(74) *Attorney, Agent, or Firm*—Peter Ganjian

(57) **CLAIM**

The ornamental design for an electromagnetic valve, as shown and described.

DESCRIPTION

FIG. 1 shows a front view of an electromagnetic valve showing my new design;

FIG. 2 shows a back view thereof;

FIG. 3 shows a top view thereof;

FIG. 4 shows a bottom view thereof;

FIG. 5 shows a left side view thereof;

FIG. 6 shows a right side view thereof;

FIG. 7 shows a perspective view thereof; and,

FIG. 8 shows a perspective view thereof.

The broken lines shown in FIGS. 1-8 are included for the purpose of illustrating environment and form no part of the claimed design.

1 Claim, 3 Drawing Sheets

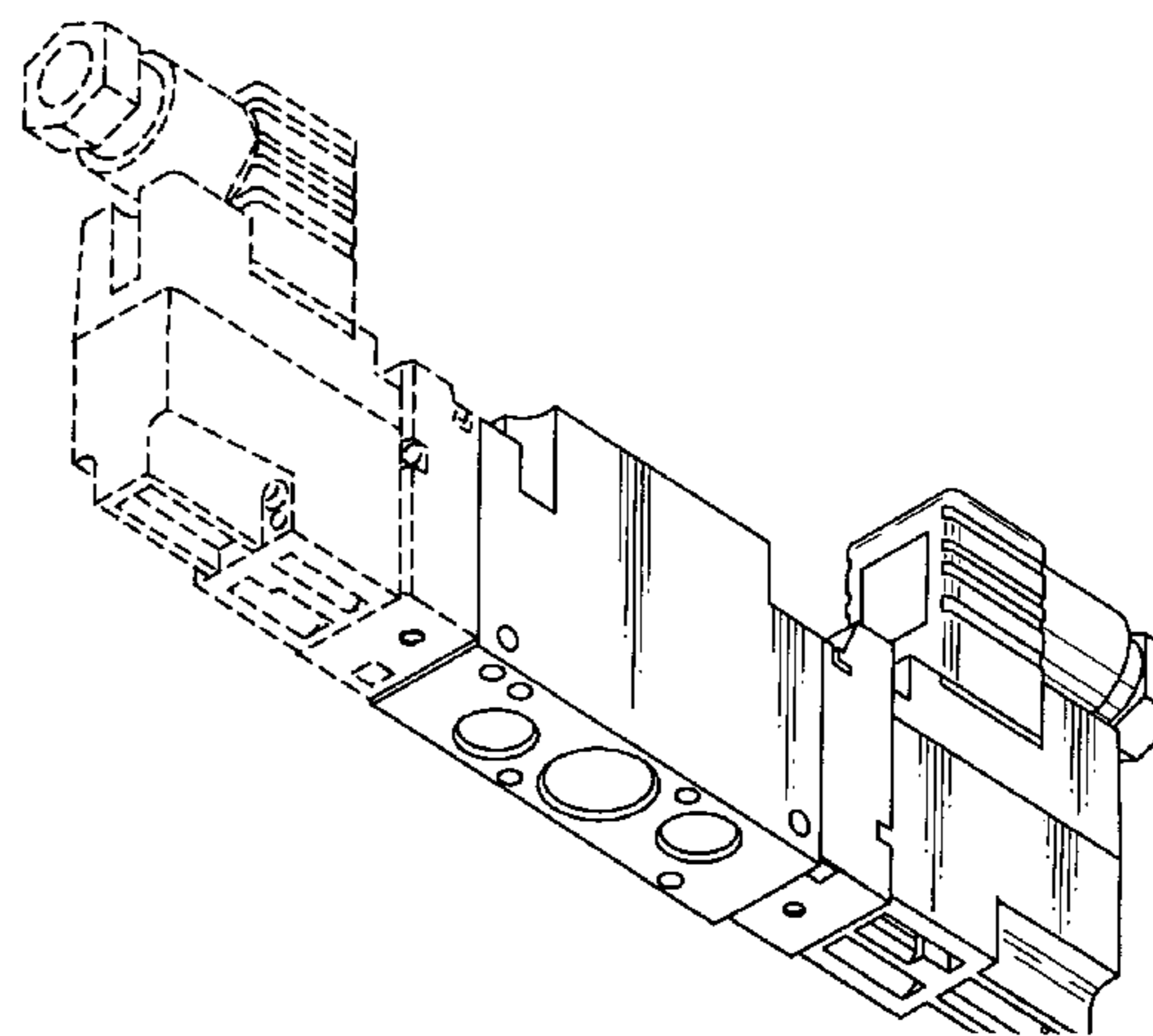
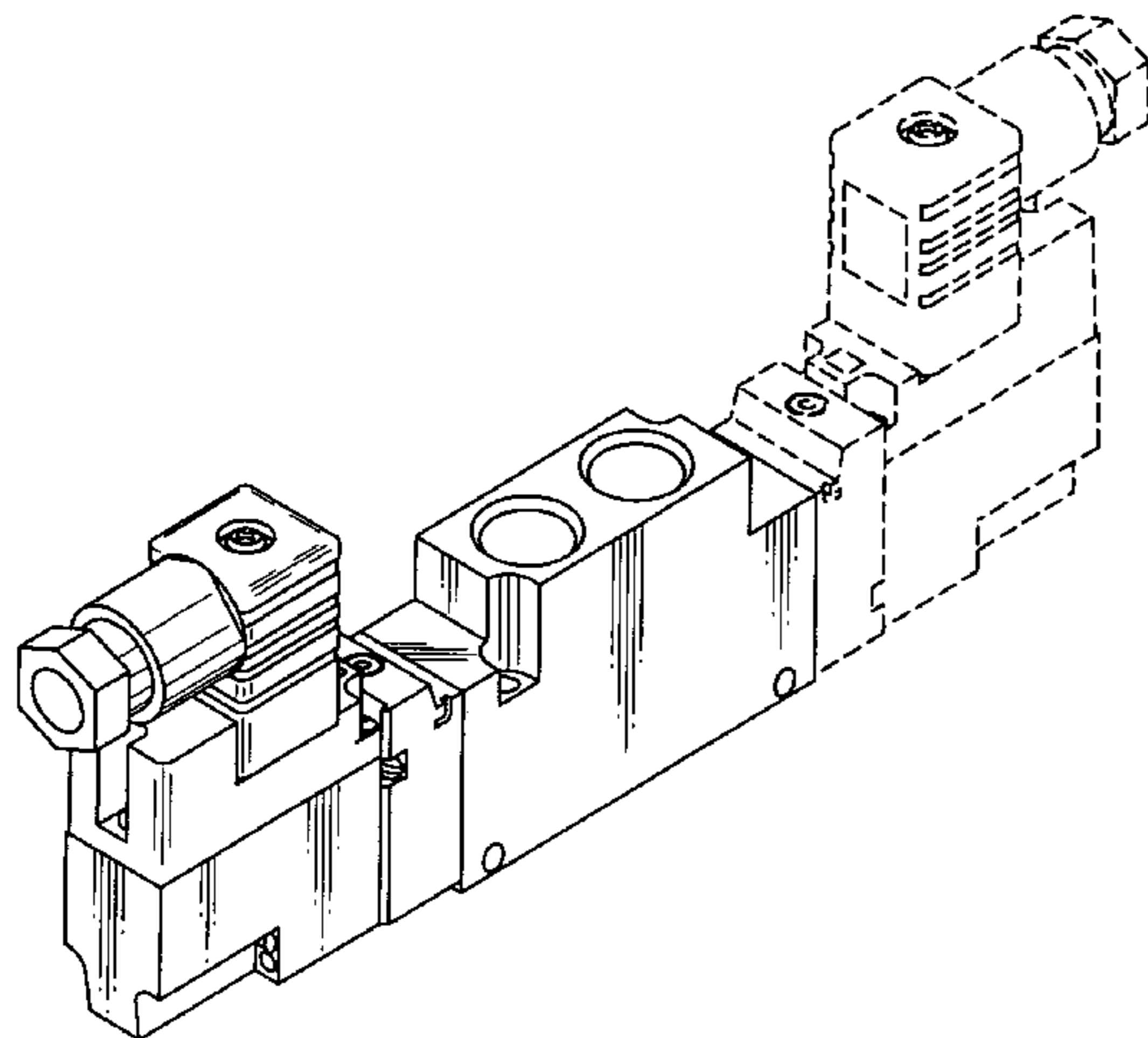


FIG. 1

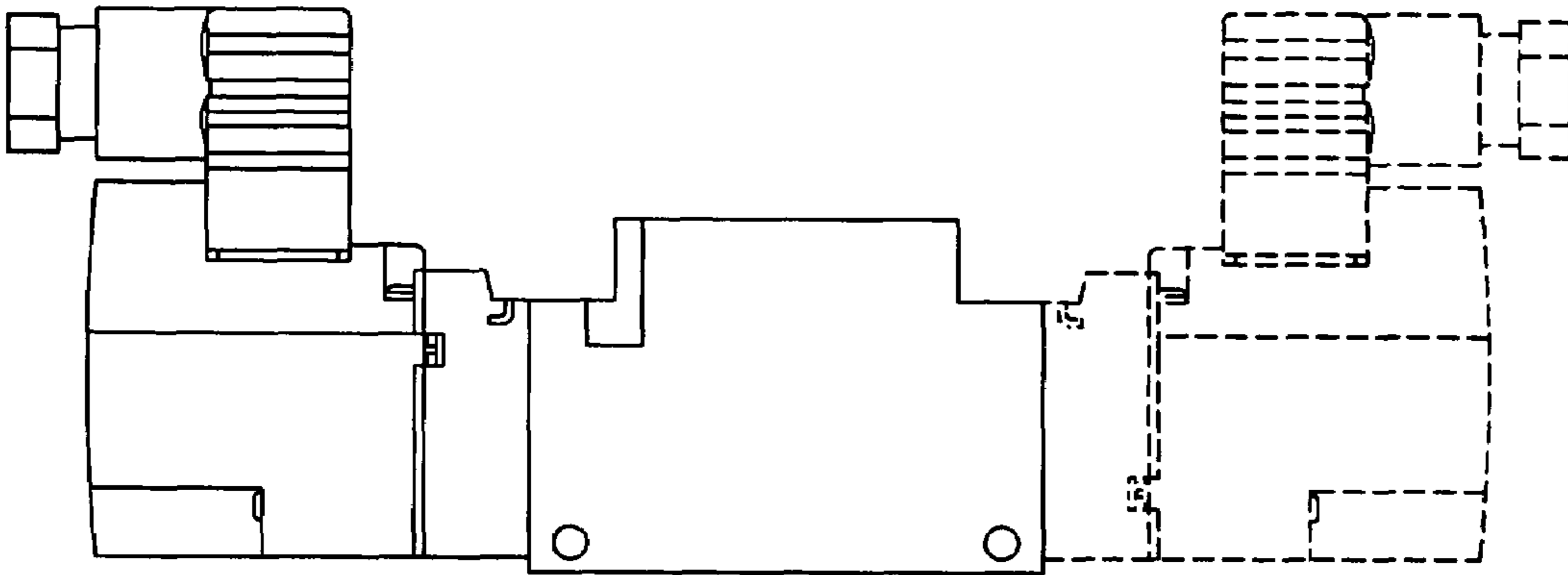


FIG. 2

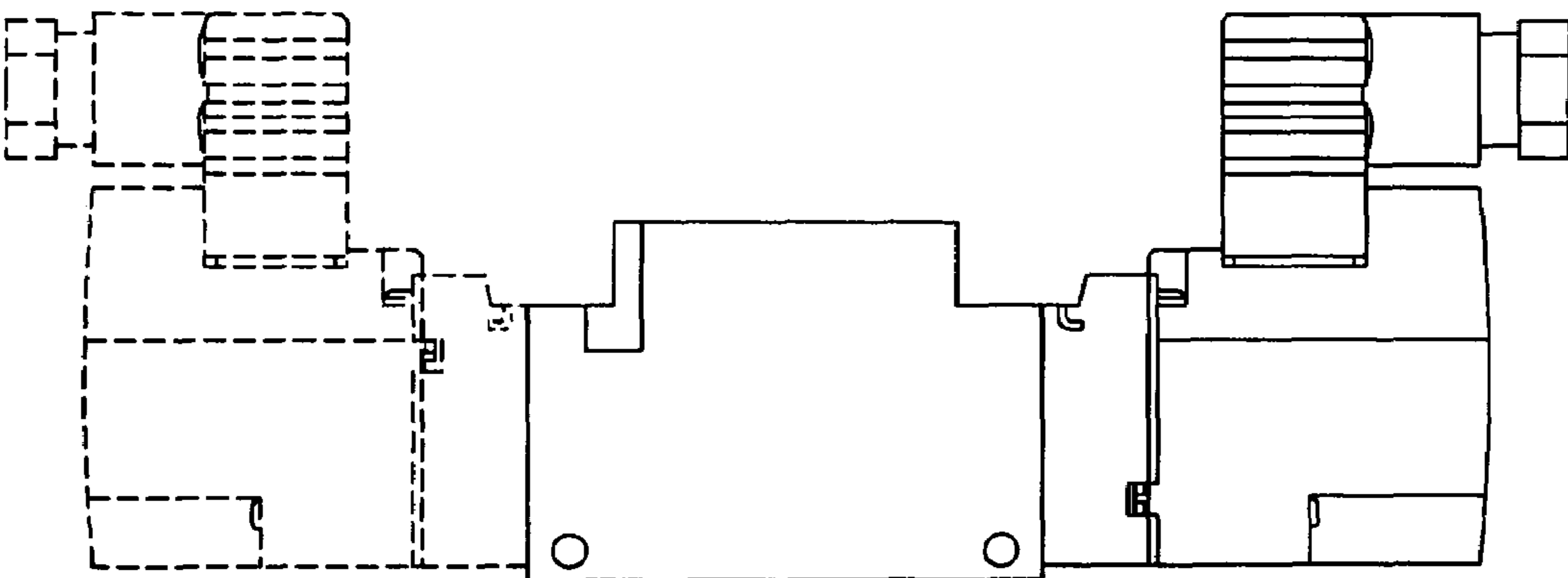


FIG. 3

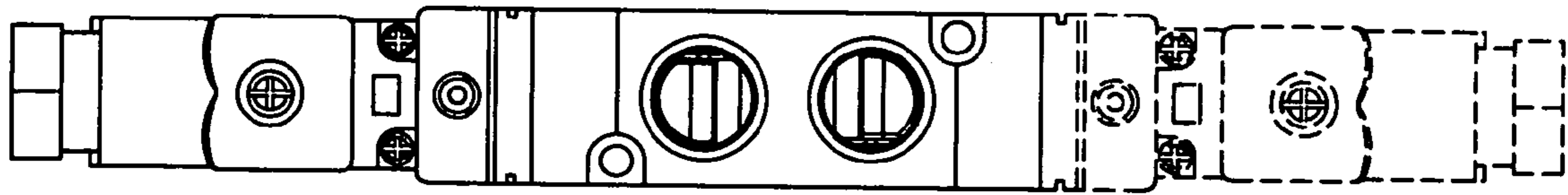


FIG. 4

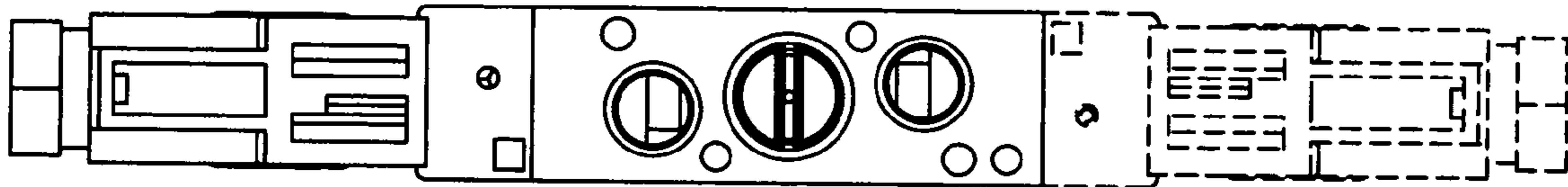


FIG. 5

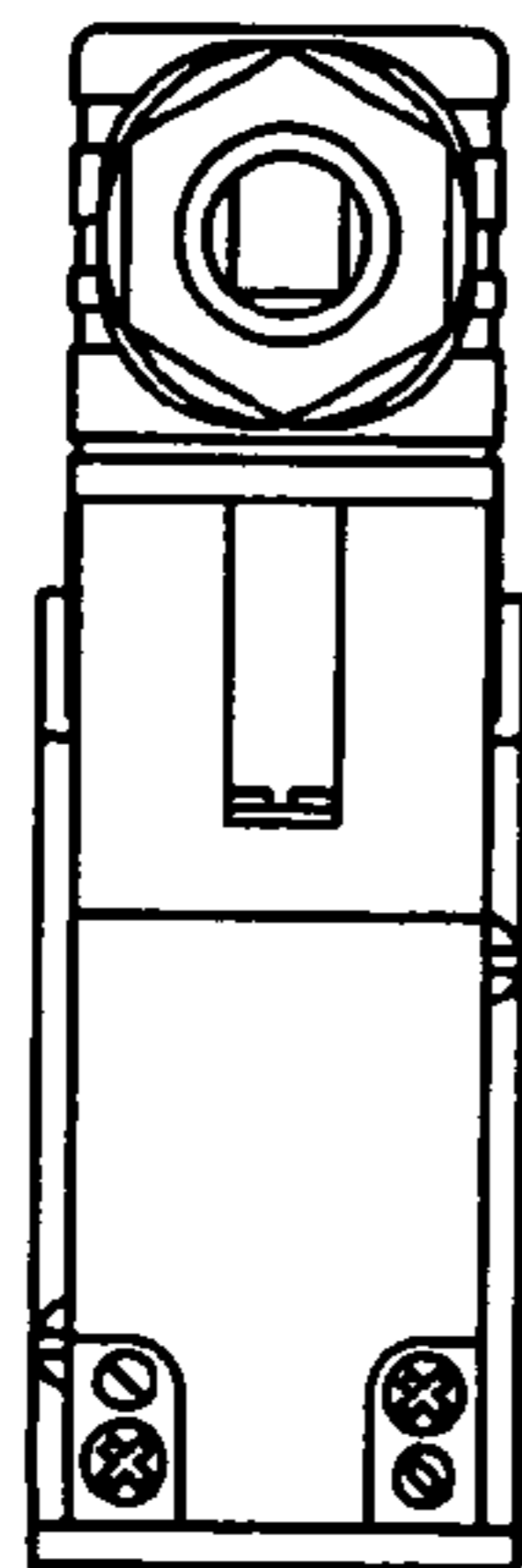


FIG. 6

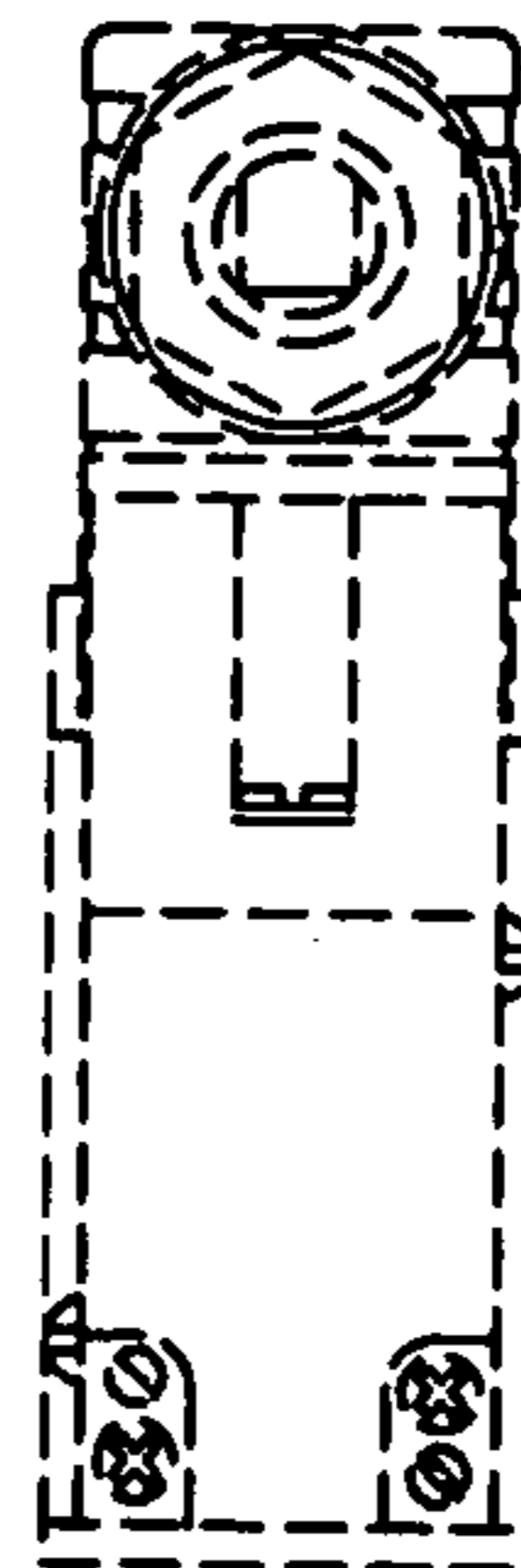


FIG. 7

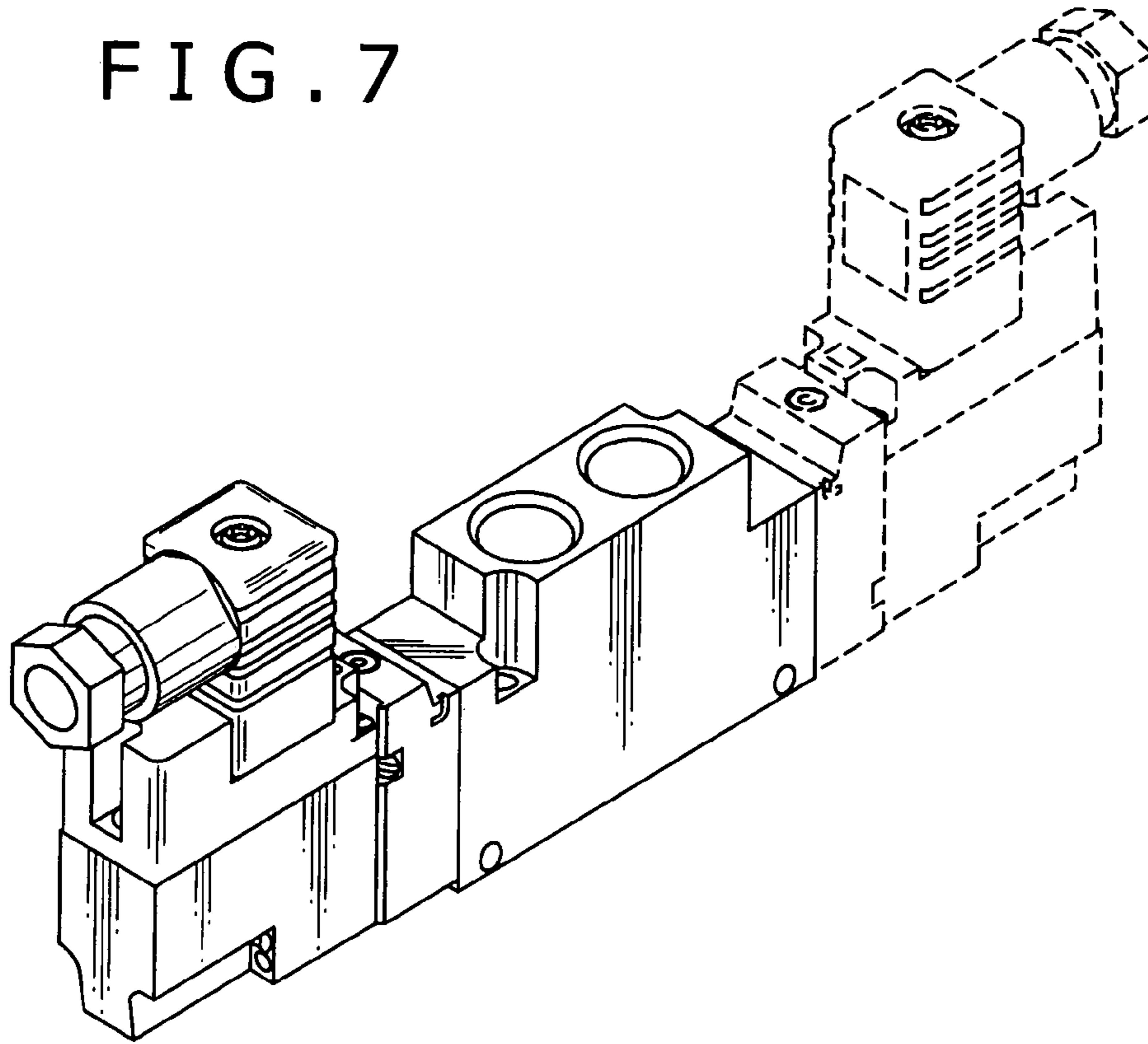


FIG. 8

