



US00D546419S

(12) **United States Design Patent** (10) **Patent No.:** **US D546,419 S**
Steinberg (45) **Date of Patent:** **** Jul. 10, 2007**

(54) **MODULAR MANIFOLD**

(75) Inventor: **Ron Steinberg**, Huntington Beach, CA (US)

(73) Assignee: **Micad Marine Systems, LLC**, Huntington Beach, CA (US)

(**) Term: **14 Years**

(21) Appl. No.: **29/234,645**

(22) Filed: **Jul. 20, 2005**

Related U.S. Application Data

(63) Continuation-in-part of application No. 11/147,104, filed on Jun. 7, 2005.

(51) **LOC (8) Cl.** **23-01**

(52) **U.S. Cl.** **D23/233**

(58) **Field of Classification Search** D23/233-249; D21/481, 484, 488, 502; D15/4, 5; 123/184.2, 123/568.2; 60/321, 323

See application file for complete search history.

(56) **References Cited**

U.S. PATENT DOCUMENTS

- 3,934,605 A * 1/1976 Legris 137/271
- D257,384 S * 10/1980 Hetherington et al. D23/245
- 4,938,509 A 7/1990 LaPlante
- 5,860,676 A 1/1999 Brzezicki et al.
- 5,944,056 A 8/1999 Miyazoe et al.
- 5,992,894 A 11/1999 Eybergen

- D469,478 S * 1/2003 Manville D21/488
- 6,619,321 B2 9/2003 Reid, II et al.
- D484,513 S * 12/2003 Grudynski, III D15/5
- 6,763,848 B2 7/2004 Rondreux et al.
- 6,776,193 B2 8/2004 Eidsmore
- D530,394 S * 10/2006 Paterson et al. D23/238
- 2003/0116208 A1 6/2003 Eriksson et al.

* cited by examiner

Primary Examiner—Ian Simmons

Assistant Examiner—Maurice Stevens

(74) *Attorney, Agent, or Firm*—Cislo & Thomas LLP

(57) **CLAIM**

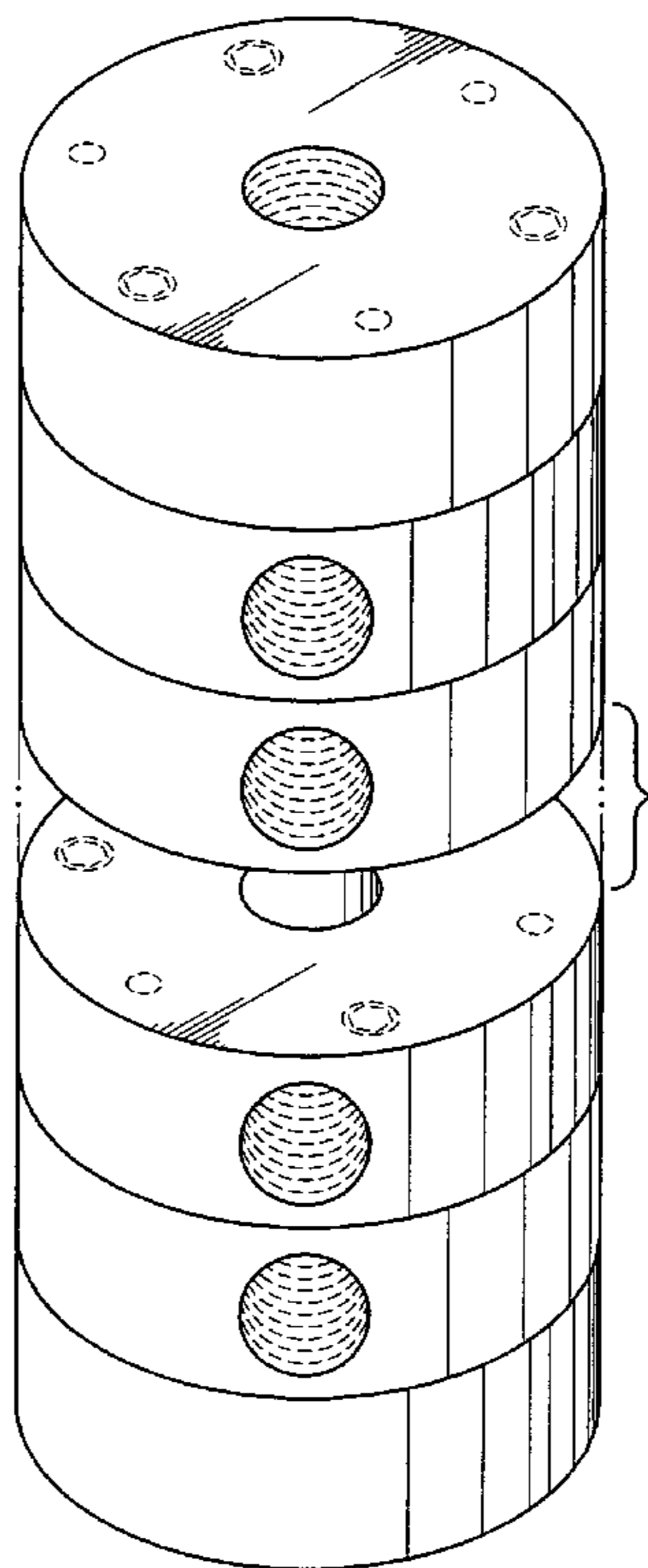
I claim the ornamental design for a modular manifold, as shown and described.

DESCRIPTION

FIG. 1 is a front perspective view of the modular manifold; FIG. 2 is a rear perspective view thereof; FIG. 3 is a bottom perspective view thereof; FIG. 4 is a rear side elevation view thereof; and, FIG. 5 is a front side elevation view thereof.

The peripheral dash-dot-dot-dash lines and associated brackets in the drawings indicate repeat units of indeterminate length. The dash-dash broken lines showing environment in the drawings are for illustrative purposes only and form no part of the claimed design.

1 Claim, 2 Drawing Sheets



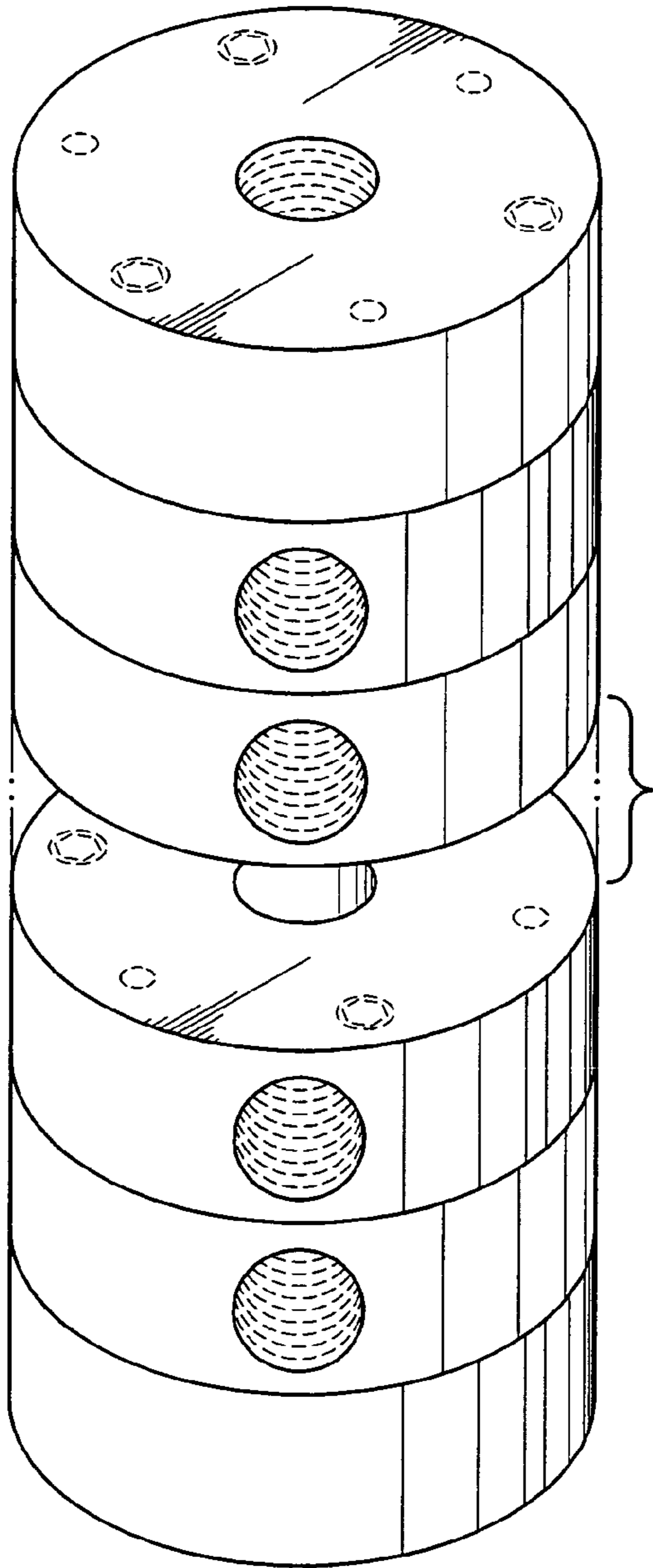


FIG. 1

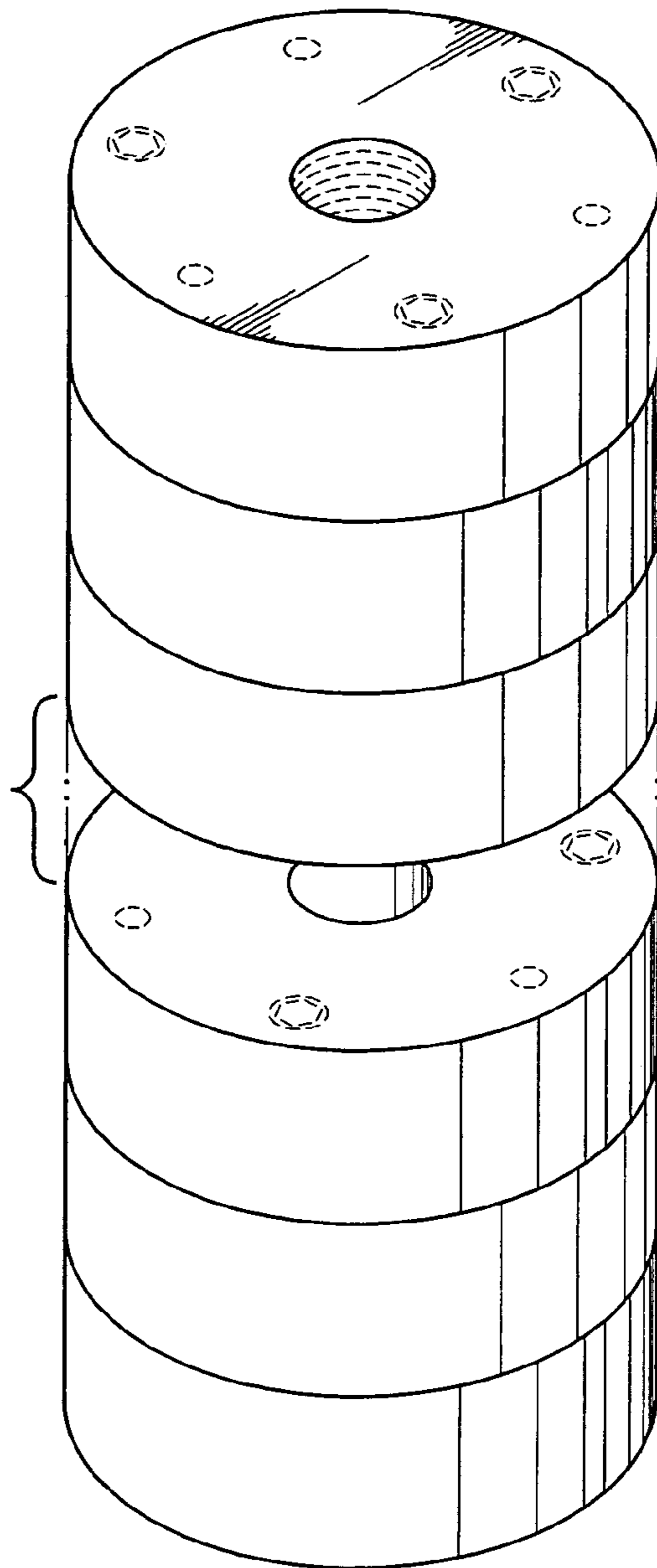


FIG. 2

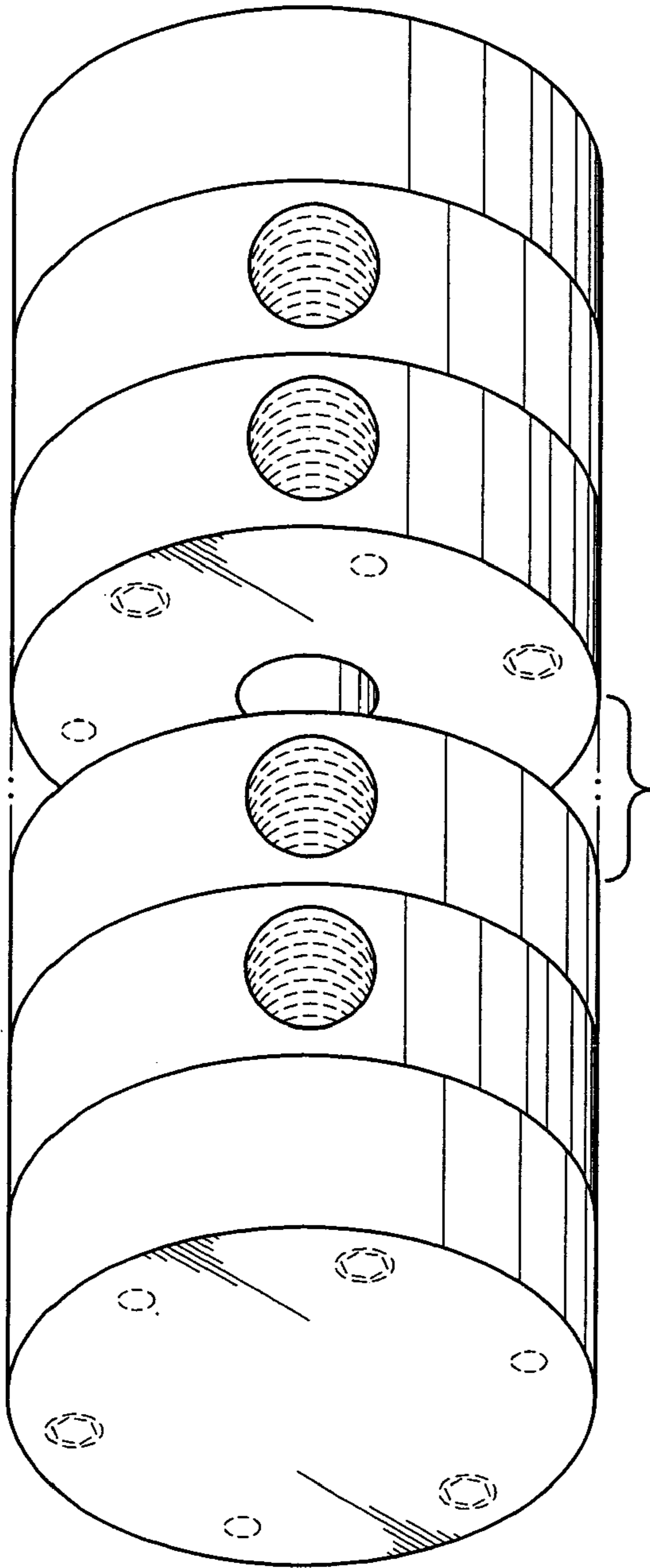


FIG. 3

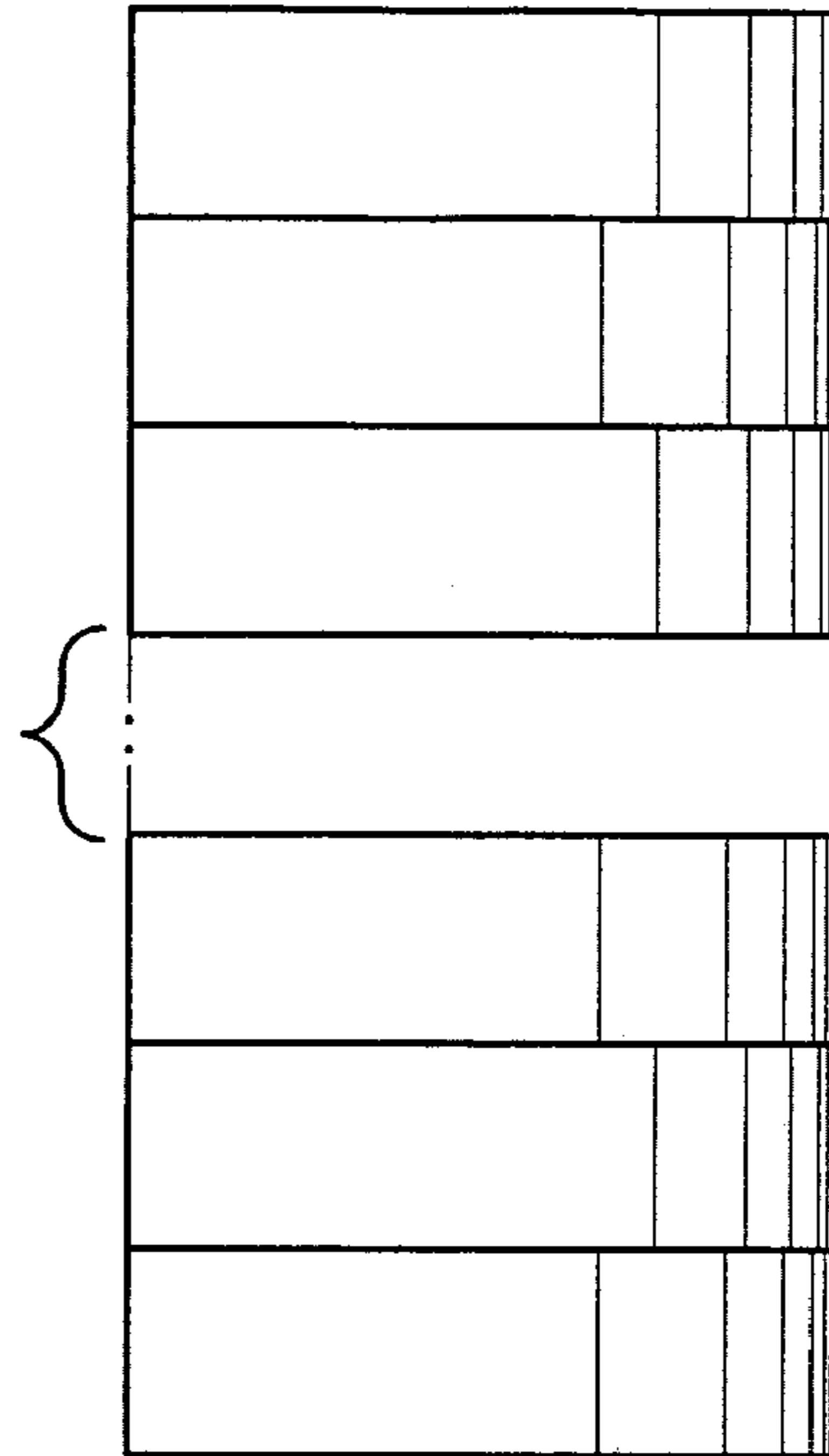


FIG. 4

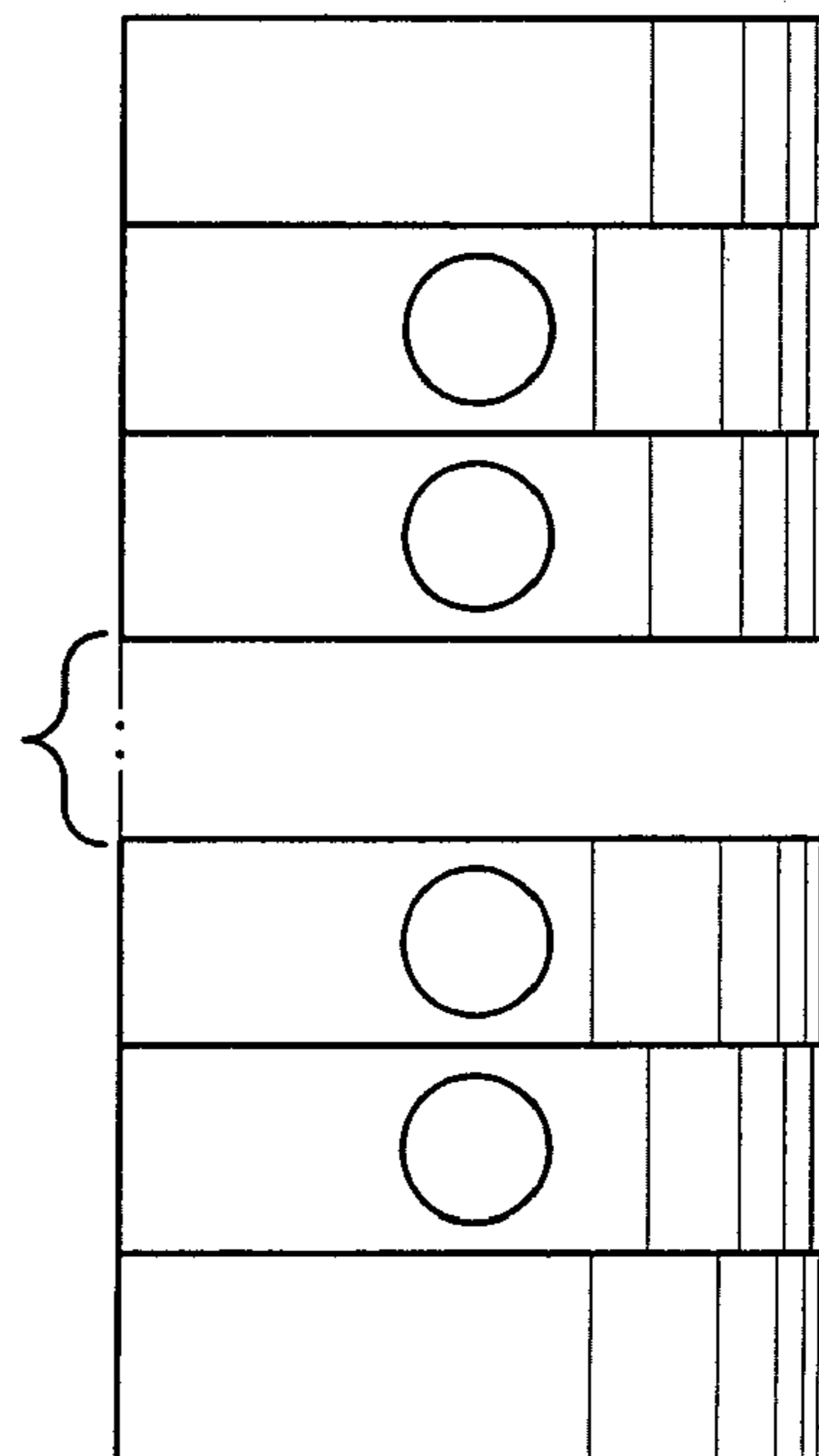


FIG. 5