

US00D546410S

(12) **United States Design Patent**  
**Wiesener et al.**

(10) **Patent No.:** **US D546,410 S**

(45) **Date of Patent:** **\*\* Jul. 10, 2007**

(54) **DEFLECTION DEVICE FOR BIRDS**

(75) Inventors: **Mark Wiesener**, Berlin (DE); **Bernd Wiesener**, Berlin (DE)

(73) Assignee: **UrbanGuard GmbH**, Berlin (DE)

(\*\*) Term: **14 Years**

(21) Appl. No.: **29/230,506**

(22) Filed: **May 23, 2005**

(51) **LOC (8) Cl.** ..... **22-06**

(52) **U.S. Cl.** ..... **D22/120; D30/199**

(58) **Field of Classification Search** ..... 428/131-32,  
428/136, 119, 577, 596-97, 907; D22/120;  
72/335; 83/40, 41, 49; 52/101, 60; 119/52.3,  
119/57.9, 713, 903; 256/11; 43/1, 124, 58;  
116/22 A; D30/199

See application file for complete search history.

(56) **References Cited**

**U.S. PATENT DOCUMENTS**

- 2,456,731 A \* 12/1948 Peles ..... 52/101
- 2,475,047 A \* 7/1949 Peles ..... 52/101
- 2,938,243 A \* 5/1960 Peles ..... 52/101
- 3,282,000 A \* 11/1966 Shaw et al. .... 52/101

- 3,407,550 A \* 10/1968 Shaw ..... 52/101
- 5,253,444 A \* 10/1993 Donoho et al. .... 43/1
- 5,400,552 A \* 3/1995 Negre ..... 52/101
- 5,433,029 A \* 7/1995 Donoho et al. .... 43/1
- 5,691,032 A \* 11/1997 Trueblood et al. .... 428/136
- 6,250,023 B1 \* 6/2001 Donoho ..... 52/101
- 6,546,676 B2 \* 4/2003 Wiesener et al. .... 52/101
- 7,040,058 B2 \* 5/2006 Finkelstein ..... 52/101

\* cited by examiner

*Primary Examiner*—M. H. Tung

*Assistant Examiner*—Susan Moon Lee

(74) *Attorney, Agent, or Firm*—Notaro & Michalos PC

(57) **CLAIM**

The ornamental design for a deflection device for birds, as shown and described.

**DESCRIPTION**

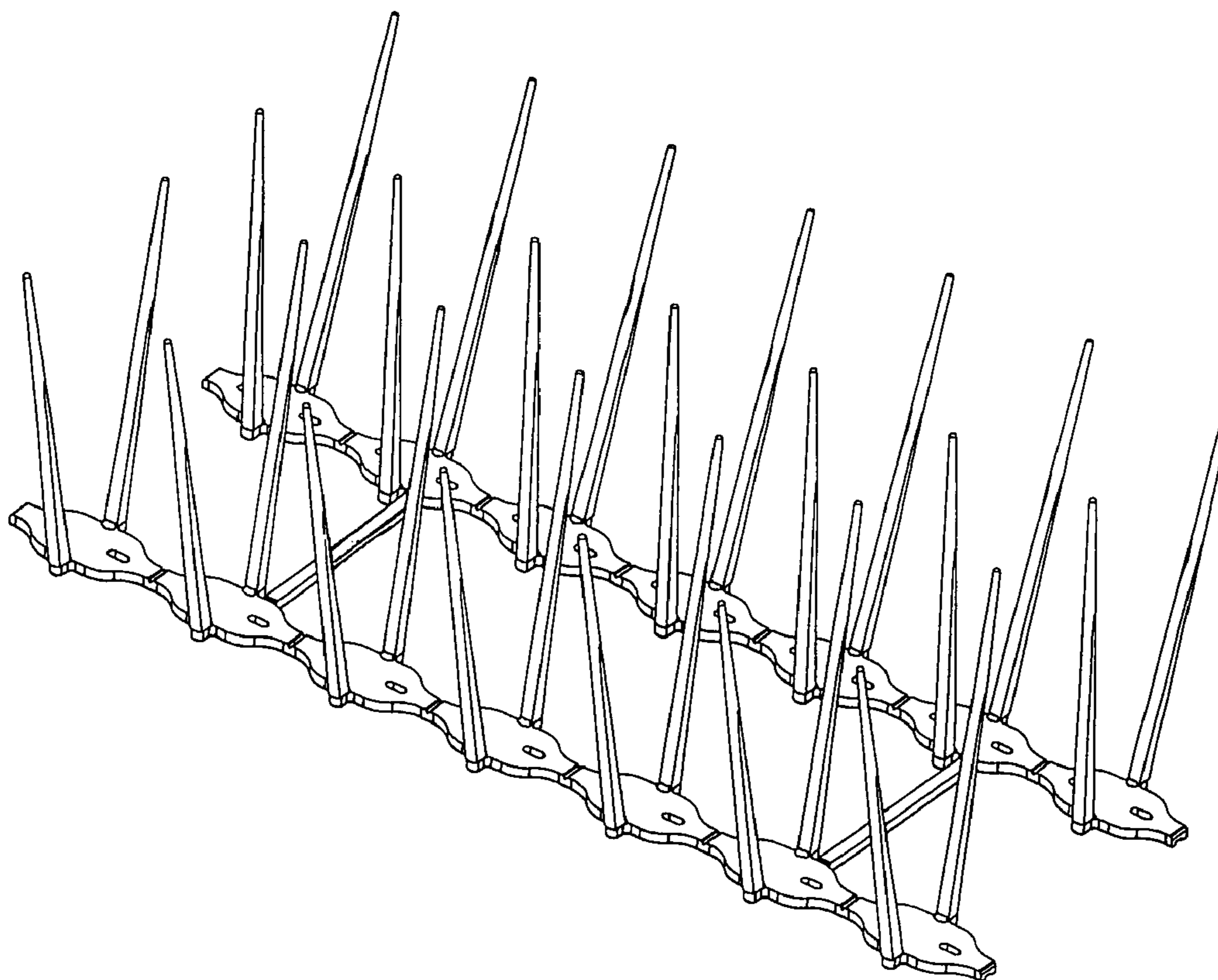
FIG. 1 is a side top front perspective view of a deflection device for birds showing our new design;

FIG. 2 is a top perspective view thereof;

FIG. 3 is an enlarged partial front perspective view thereof; and,

FIG. 4 is a further enlarged partial detail view thereof.

**1 Claim, 4 Drawing Sheets**



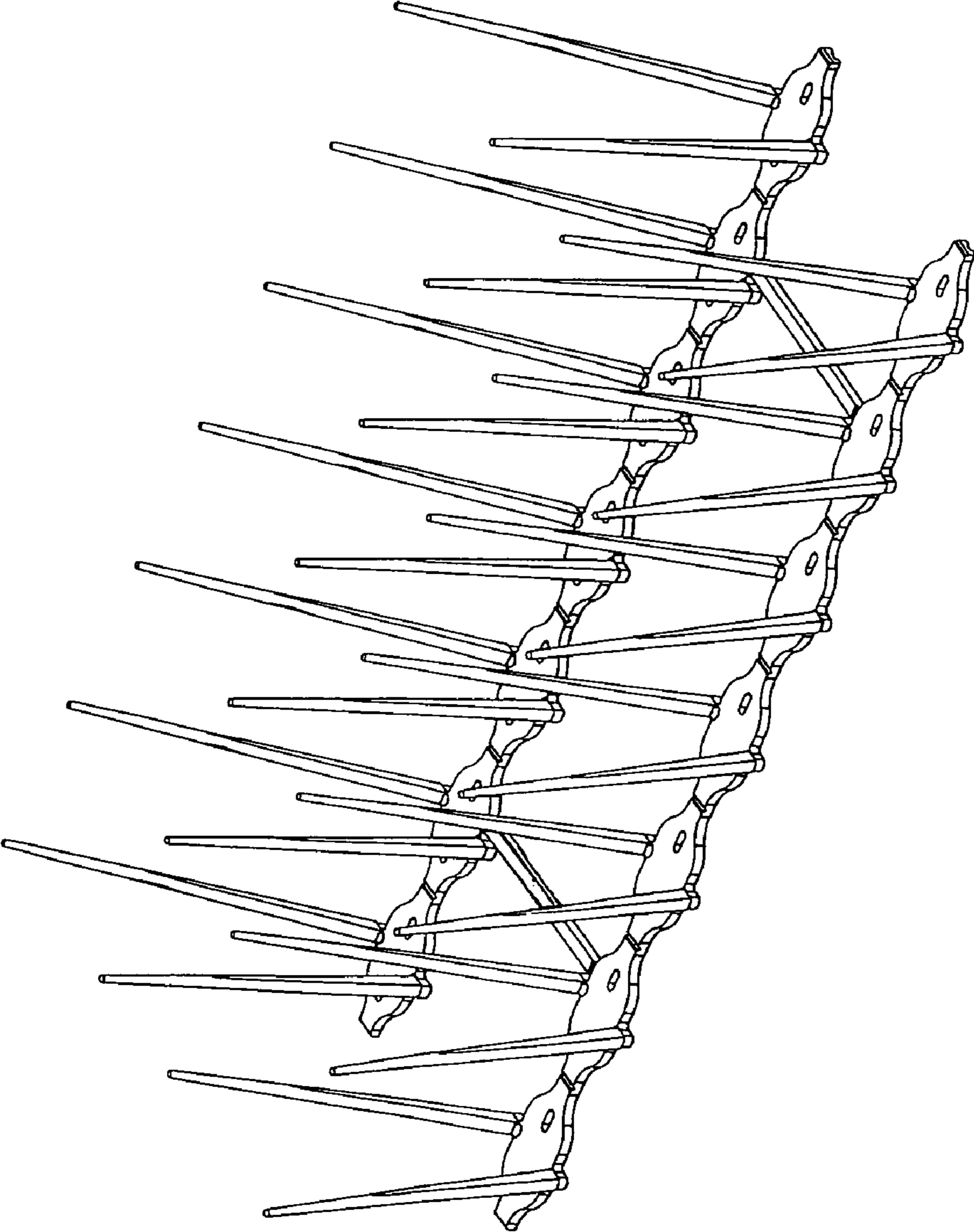


Fig. 1

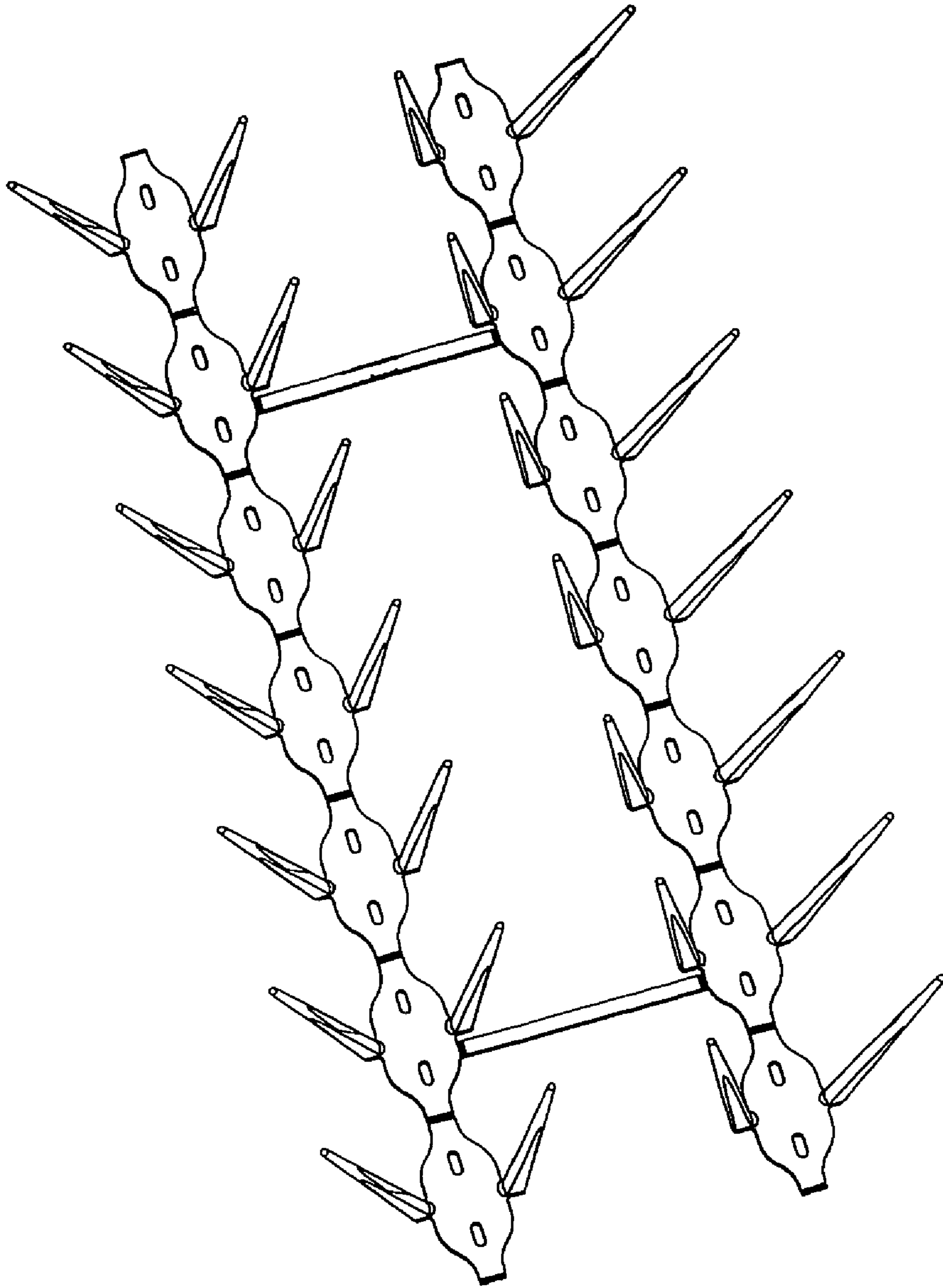


Fig. 2

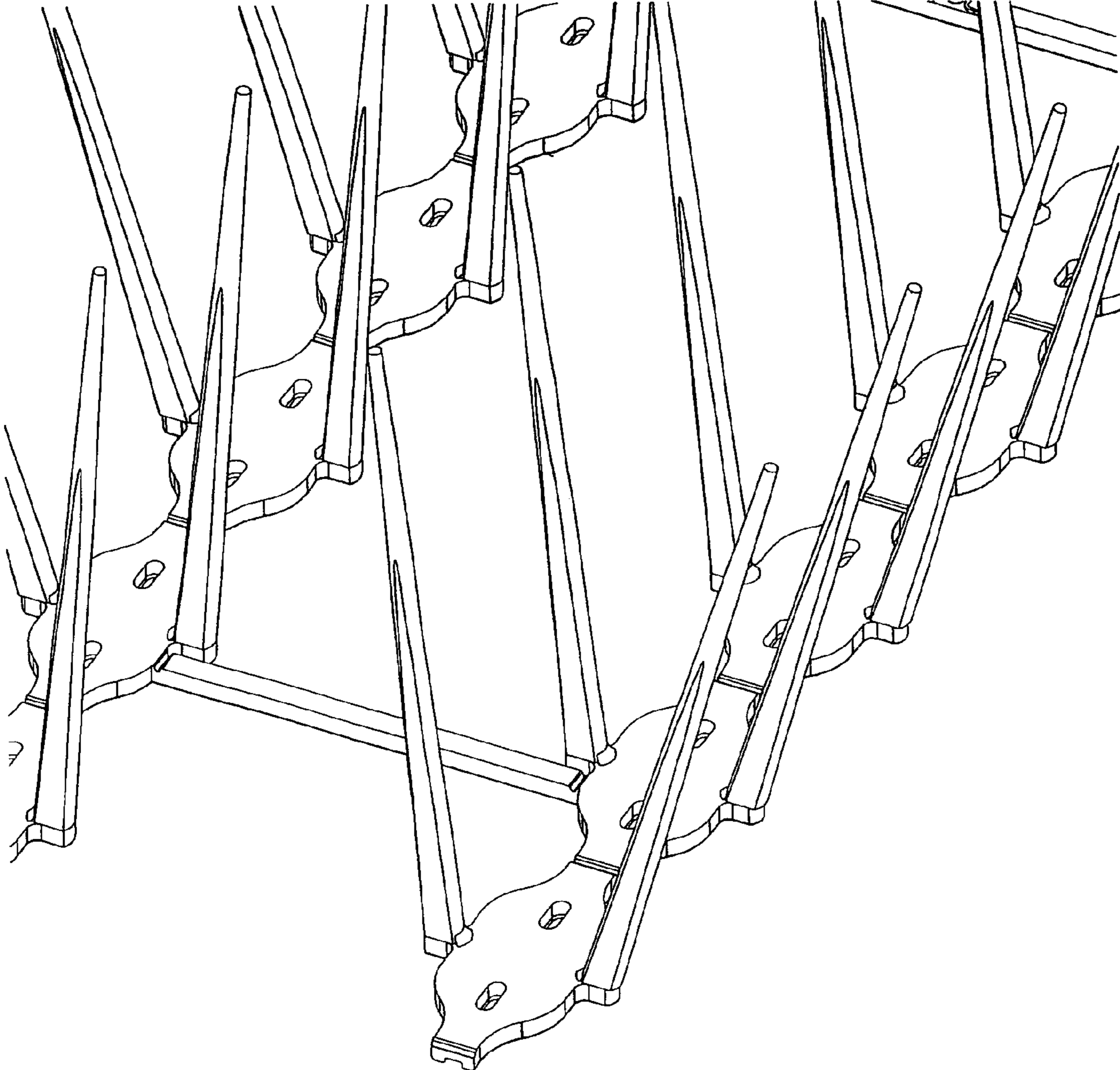


Fig. 3

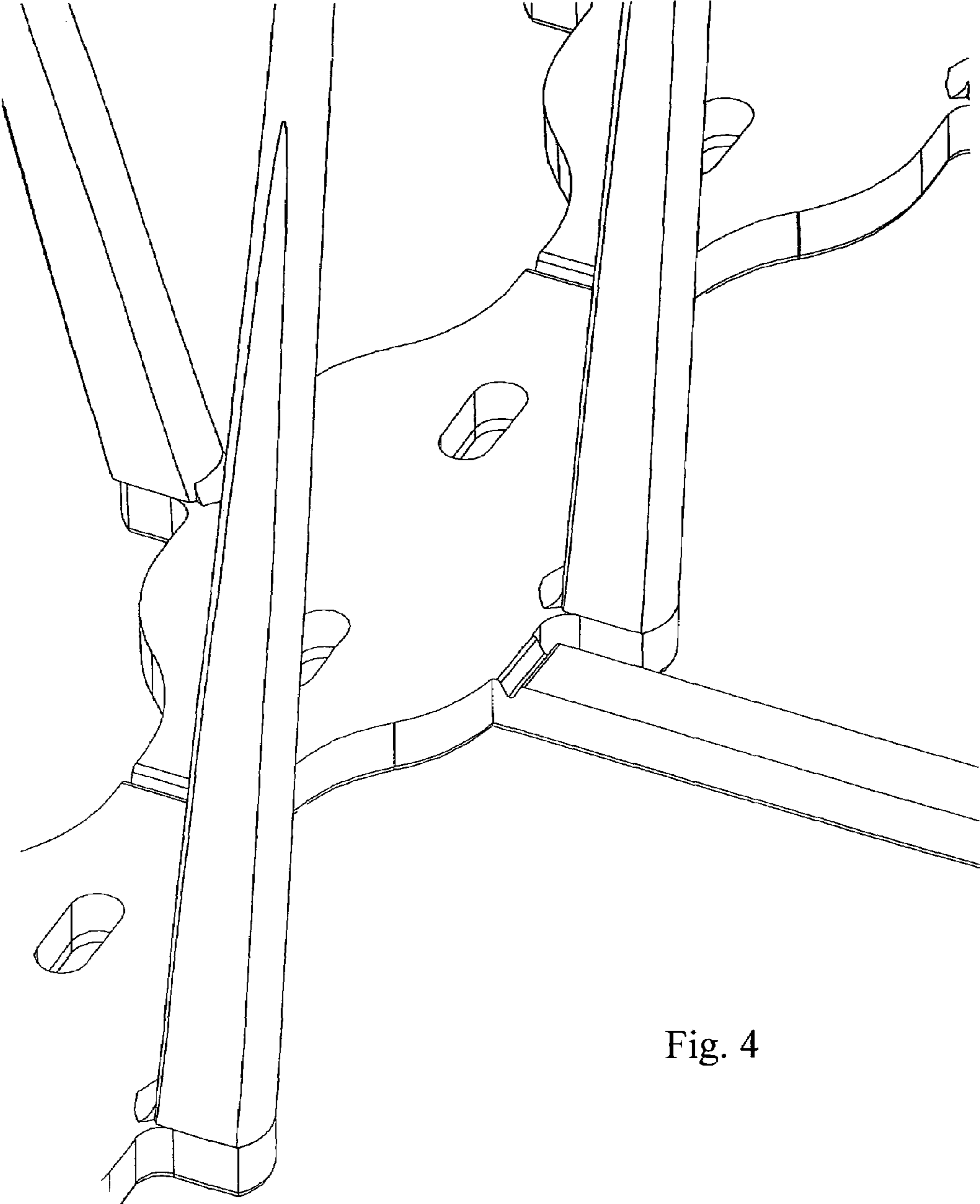


Fig. 4