

US00D546409S

(12) **United States Design Patent**  
**Perez**

(10) **Patent No.:** **US D546,409 S**

(45) **Date of Patent:** **\*\* Jul. 10, 2007**

(54) **BLADED SLING DART**

(76) Inventor: **Basilio Perez**, 316 Worthy St., Saginaw, TX (US) 76179

(\*\*) Term: **14 Years**

(21) Appl. No.: **29/255,466**

(22) Filed: **Mar. 8, 2006**

(51) **LOC (8) Cl.** ..... **22-01**

(52) **U.S. Cl.** ..... **D22/106; D22/107**

(58) **Field of Classification Search** ..... D22/106, D22/107, 115; 124/20.1, 20.3, 22; 33/265; 473/578, 582, 583, 584, 585, 586

See application file for complete search history.

(56) **References Cited**

**U.S. PATENT DOCUMENTS**

1,545,476	A	7/1925	Austerman	
2,970,839	A	2/1961	Halverson	273/106.5
3,834,368	A	9/1974	Geiger	124/20
4,381,866	A *	5/1983	Simo	473/584
4,643,435	A *	2/1987	Musacchia	D22/115
4,976,442	A *	12/1990	Treadway	473/570
5,018,747	A	5/1991	Brown	273/422
2004/0048703	A1 *	3/2004	Cyr et al.	473/578

\* cited by examiner

*Primary Examiner*—Ian Simmons

*Assistant Examiner*—Melanie Levy

(74) *Attorney, Agent, or Firm*—Charles D. Gunter, Jr.

(57) **CLAIM**

The ornamental design for a bladed sling dart, as shown and described.

**DESCRIPTION**

FIG. 1 is a perspective view of the right side of the bladed sling dart of the invention, the dart feathers and a portion of an elastic sling being shown in phantom lines as not forming a part of the invention;

FIG. 2 is a left side view of the dart of FIG. 1;

FIG. 3 is a top view of the dart of FIG. 1;

FIG. 4 is a bottom view of the dart of FIG. 1;

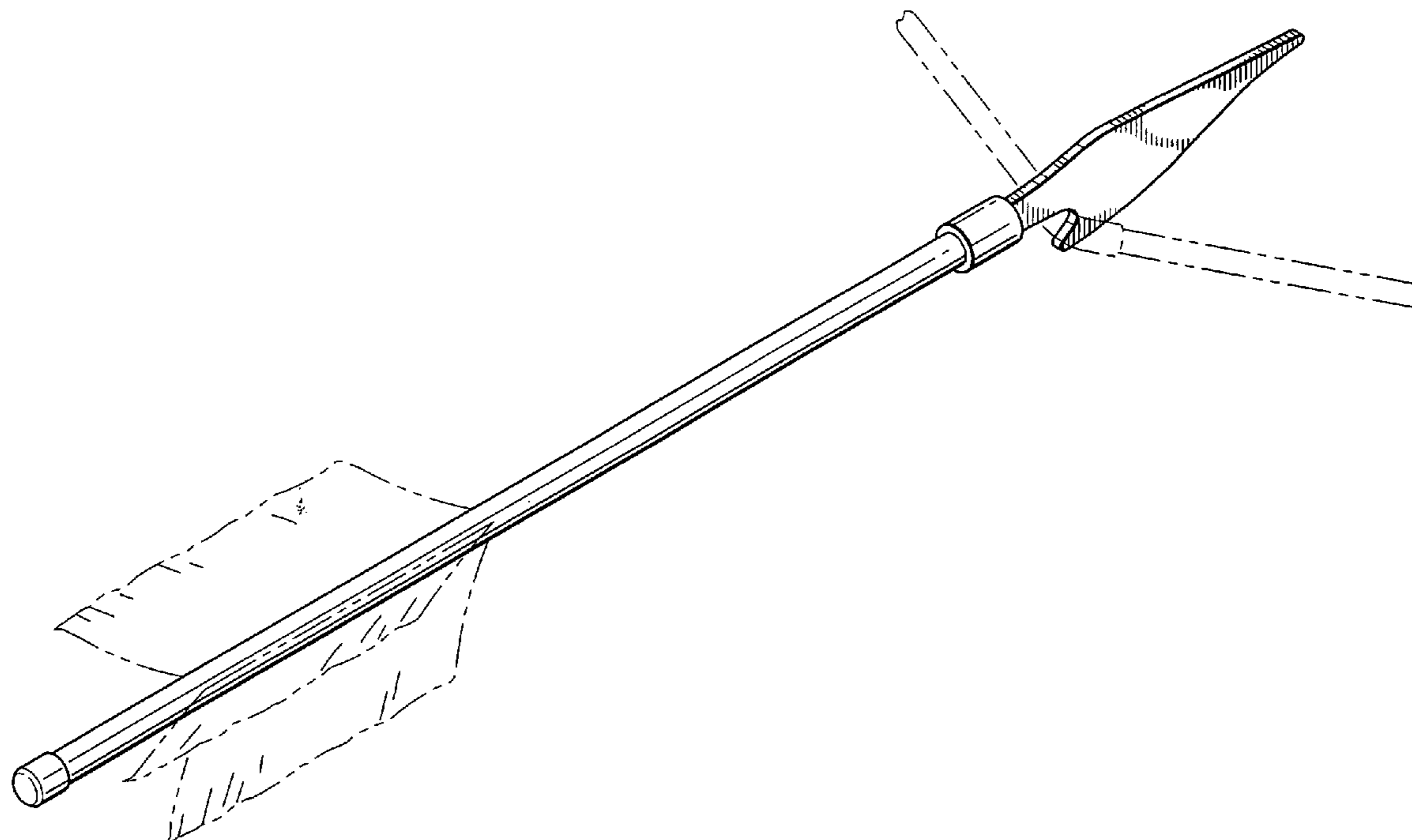
FIG. 5 is a front end view of the dart of the invention; and,

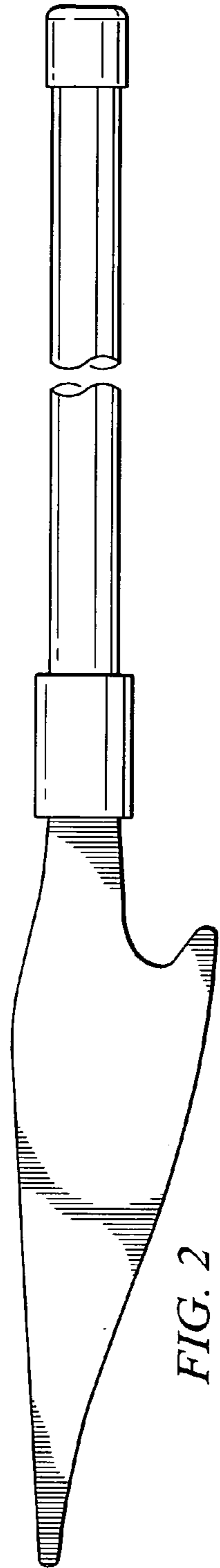
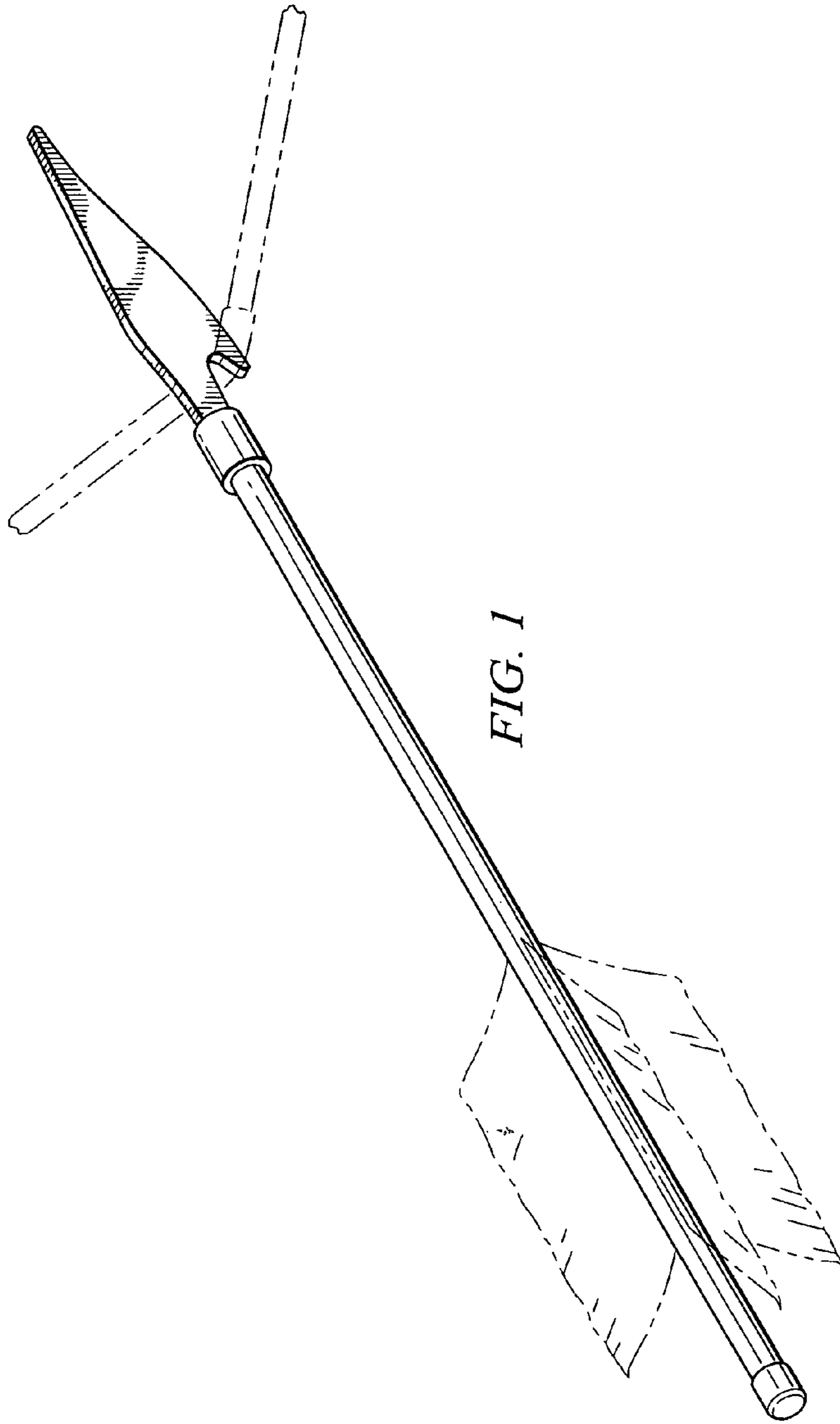
FIG. 6 is a back end view of the left side of the bladed sling dart of the invention.

The broken lines are for illustrative purposes only and form no part of the claimed design.

The sling blade dart is shown broken away in FIGS. 2-4 for ease of illustration.

**1 Claim, 2 Drawing Sheets**





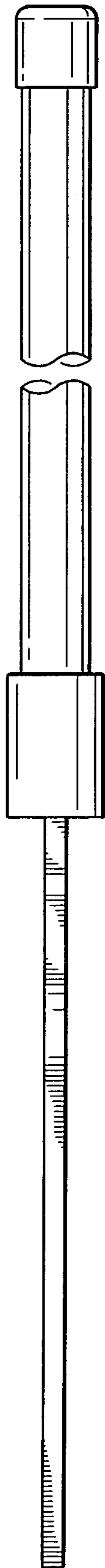


FIG. 3

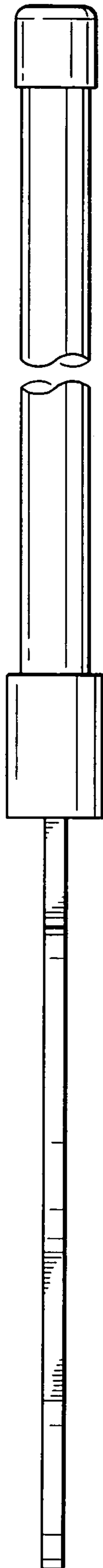


FIG. 4

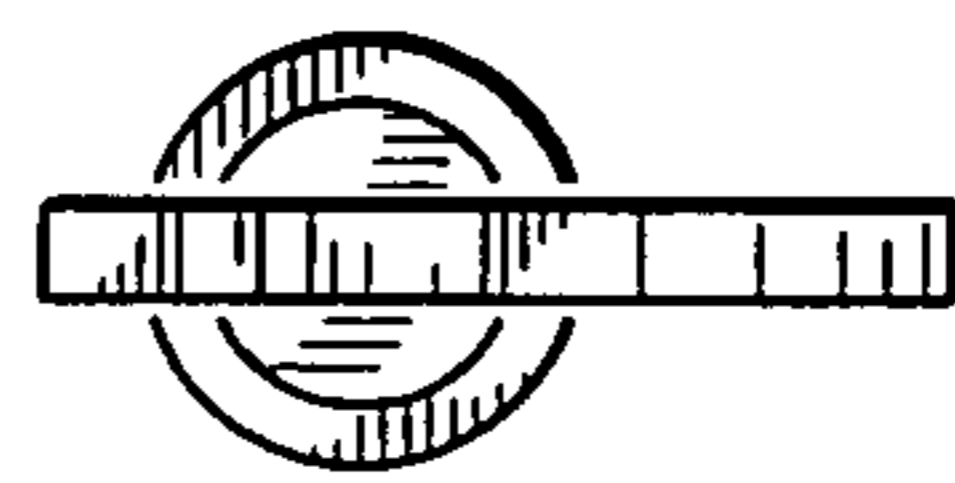


FIG. 5



FIG. 6