

US00D546408S

(12) **United States Design Patent**
Oldknow

(10) **Patent No.:** **US D546,408 S**

(45) **Date of Patent:** **** Jul. 10, 2007**

(54) **PORTION OF A GOLF CLUB HEAD**

(75) Inventor: **Andrew G. V. Oldknow**, Beaverton,
OR (US)

(73) Assignee: **Nike, Inc.**, Beaverton, OR (US)

(**) Term: **14 Years**

(21) Appl. No.: **29/249,652**

(22) Filed: **Oct. 16, 2006**

(51) **LOC (8) Cl.** **21-02**

(52) **U.S. Cl.** **D21/759**

(58) **Field of Classification Search** D21/733-752,
D21/759; 473/324-331, 350

See application file for complete search history.

(56) **References Cited**

U.S. PATENT DOCUMENTS

D265,494 S	7/1982	Kobayashi
D267,965 S	2/1983	Kobayashi
D323,689 S	2/1992	Hardman et al.
D323,690 S	2/1992	Hlinka
D432,611 S	10/2000	McCabe et al.
6,482,104 B1	11/2002	Gilbert
D475,108 S	5/2003	Madore
D475,428 S	6/2003	Madore
6,592,469 B2	7/2003	Gilbert
D478,952 S	8/2003	Greene
D487,127 S	2/2004	Madore

D499,779 S	12/2004	Mahaffey et al.
D509,870 S *	9/2005	Madore D21/759
D511,362 S *	11/2005	Madore D21/759
D511,553 S	11/2005	Madore
D512,475 S	12/2005	Madore
D516,152 S	2/2006	Madore
2003/0092499 A1	5/2003	Gilbert

OTHER PUBLICATIONS

Golfsmith Special Mid-Year Components Catalog Jul. 1995, p. 5.

* cited by examiner

Primary Examiner—Mitchell Siegel

(74) *Attorney, Agent, or Firm*—Banner & Witcoff, Ltd.

(57) **CLAIM**

The ornamental design for a portion of a golf club head, as shown and described.

DESCRIPTION

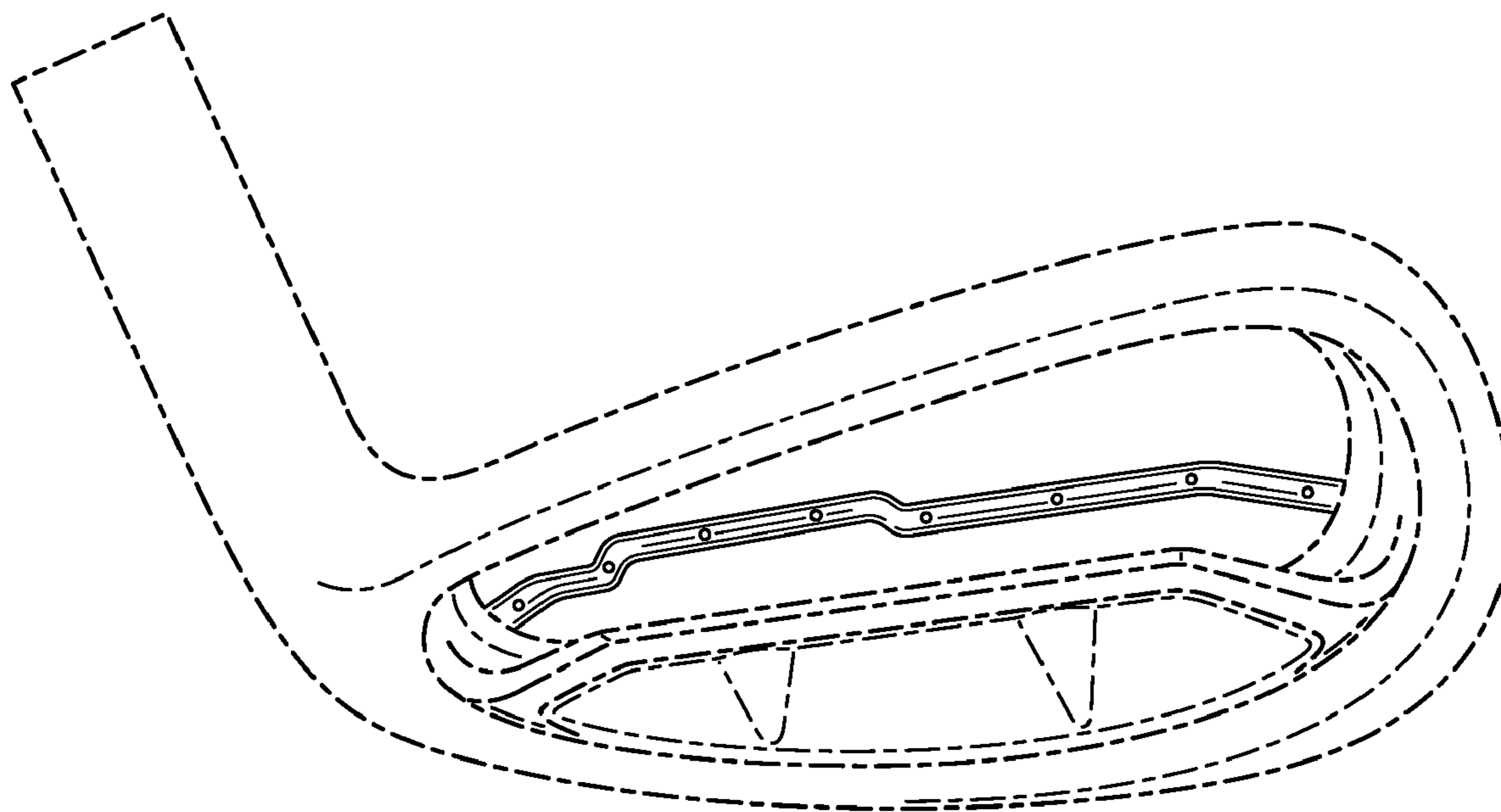
FIG. 1 is a first perspective view of a portion of a golf club head showing my new design;

FIG. 2 is a rear view thereof; and,

FIG. 3 is a second perspective view thereof.

The broken line showing of the remainder of the golf club head is for illustrative purposes only and forms no part of the claimed design.

1 Claim, 3 Drawing Sheets



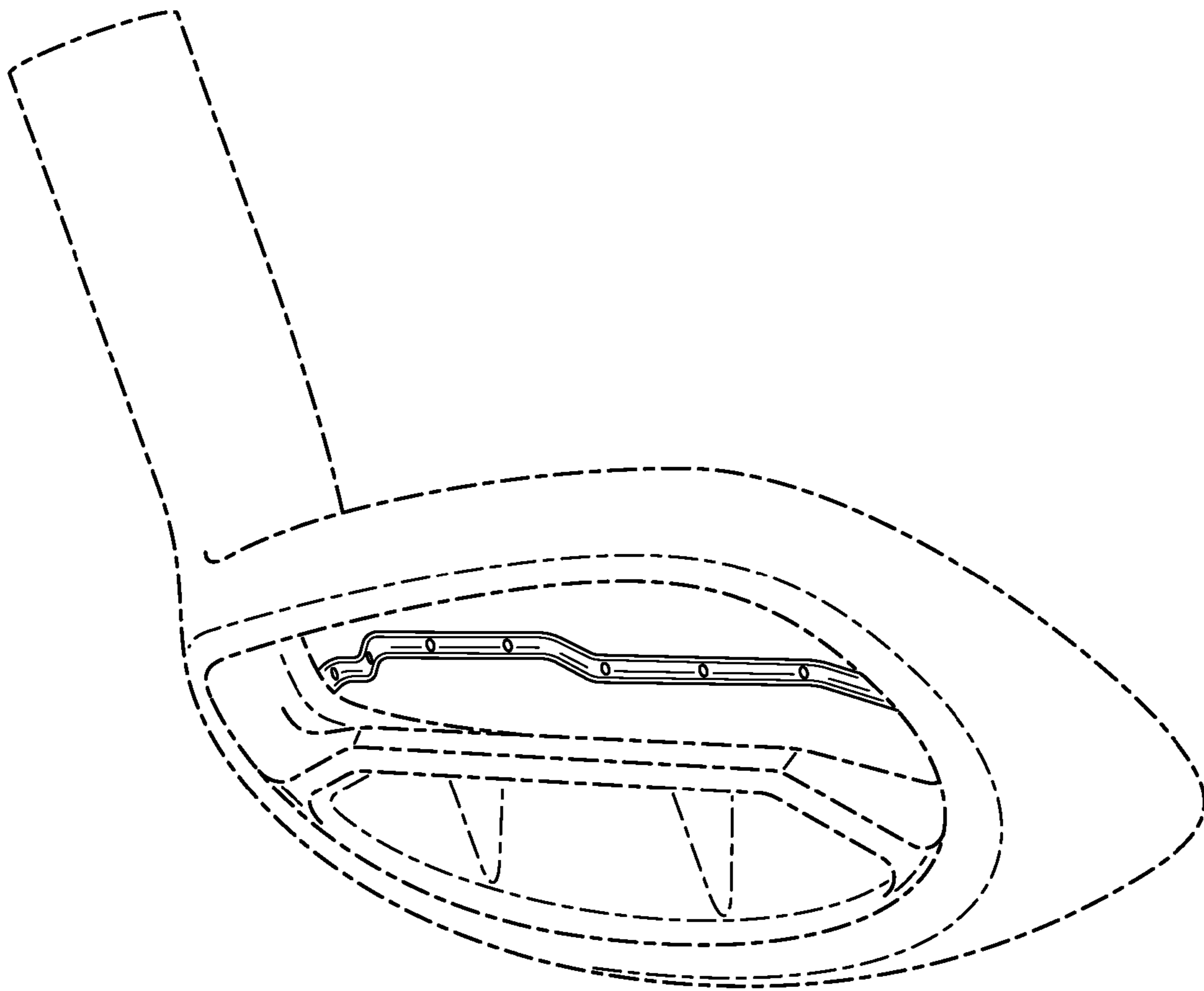


FIG. 1

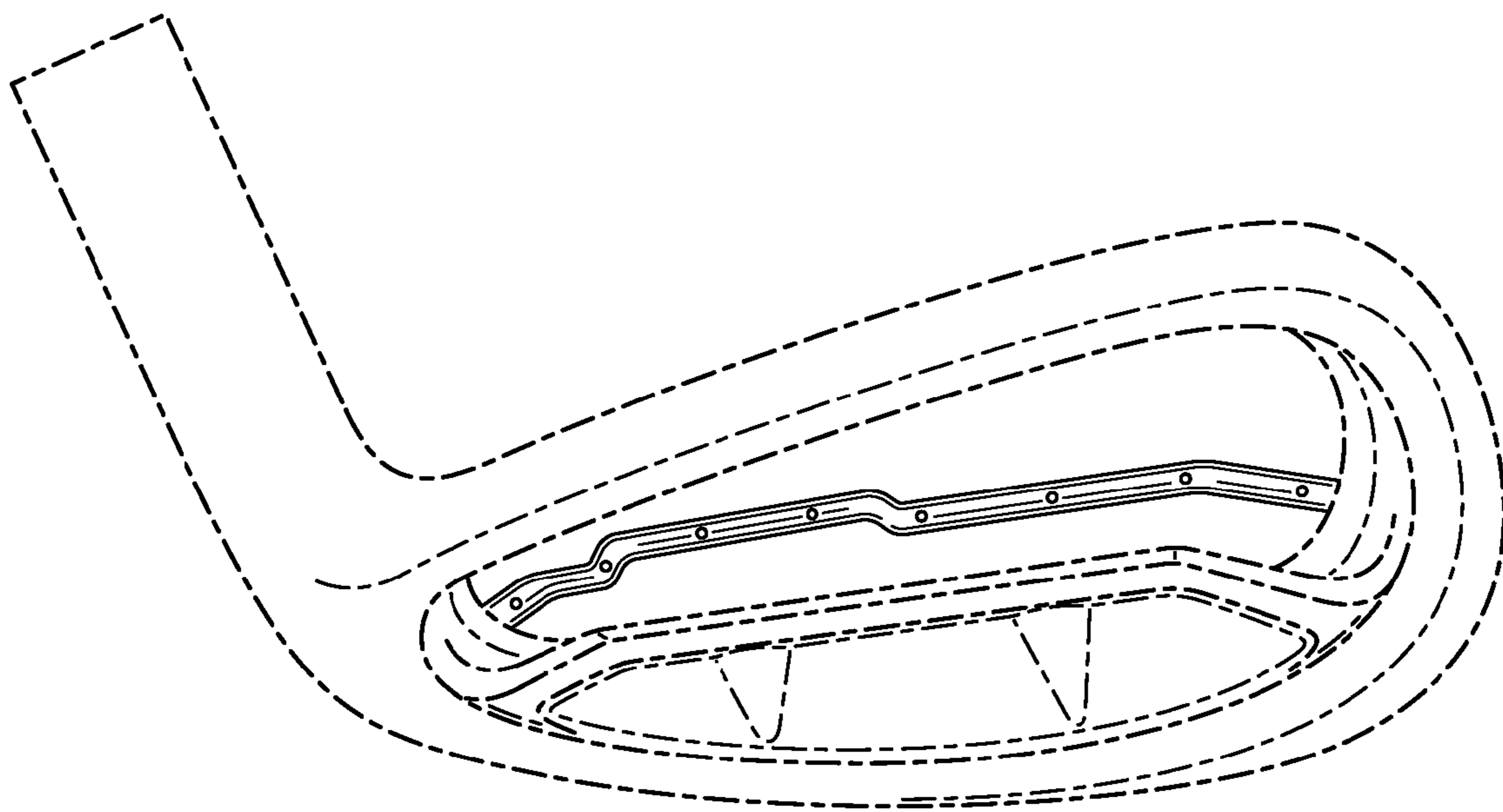


FIG. 2

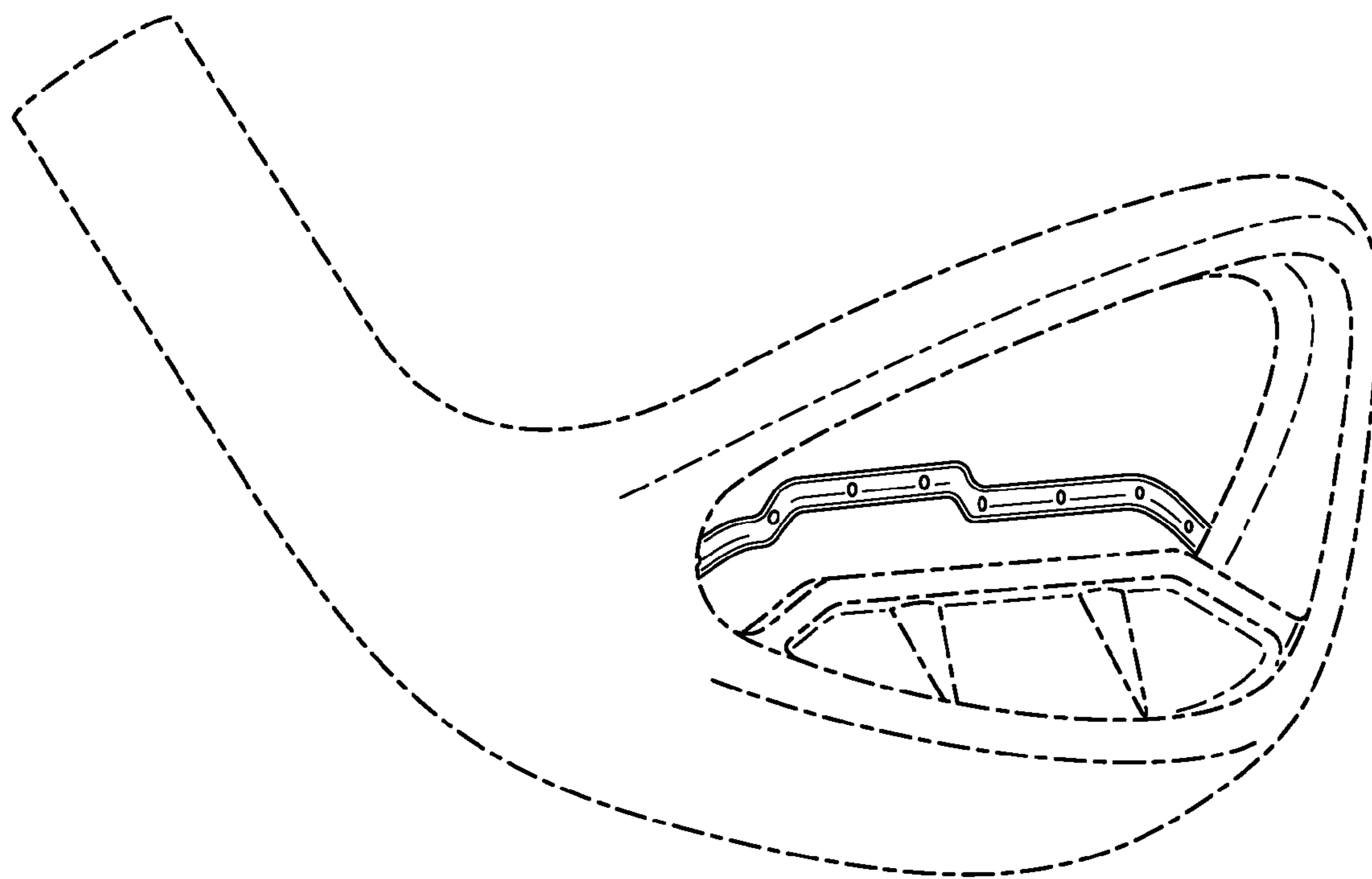


FIG. 3