



US00D546404S

(12) **United States Design Patent**
Chen

(10) **Patent No.:** **US D546,404 S**

(45) **Date of Patent:** **** Jul. 10, 2007**

(54) **DISPLAY**

(76) Inventor: **Chao-Chuan Chen**, 5F.-2, No. 181,
Sec. 2, Mei Tsun Rd., South District,
Taichung City (TW)

(**) Term: **14 Years**

(21) Appl. No.: **29/253,739**

(22) Filed: **Feb. 13, 2006**

(51) **LOC (8) Cl.** **21-02**

(52) **U.S. Cl.** **D21/696**

(58) **Field of Classification Search** D21/662,
D21/694, 696, 665, 666, 667, 668, 669, 670;
482/8, 51, 52, 79, 80, 71, 54, 57
See application file for complete search history.

(56) **References Cited**

U.S. PATENT DOCUMENTS

D407,771 S *	4/1999	Garza	D21/694
D412,192 S *	7/1999	Birrell et al.	D21/696
D427,156 S *	6/2000	Arnold et al.	D13/162
D429,509 S *	8/2000	Garza	D21/696
D438,579 S *	3/2001	Arnold et al.	D21/696
D444,828 S *	7/2001	Matsumoto	D21/696
D454,931 S *	3/2002	Fon	D21/696

D459,421 S *	6/2002	Lee	D21/696
D485,589 S *	1/2004	Briganti	D21/696
7,094,180 B2 *	8/2006	Huang et al.	482/8
D536,046 S *	1/2007	Bingham et al.	D21/696

* cited by examiner

Primary Examiner—Philip S. Hyder

(74) *Attorney, Agent, or Firm*—Rosenberg, Klein & Lee

(57) **CLAIM**

The ornamental design for a display, as shown and described.

DESCRIPTION

FIG. 1 is a perspective view of a display showing my new design;

FIG. 2 is a front elevational view thereof;

FIG. 3 is a rear elevational view thereof;

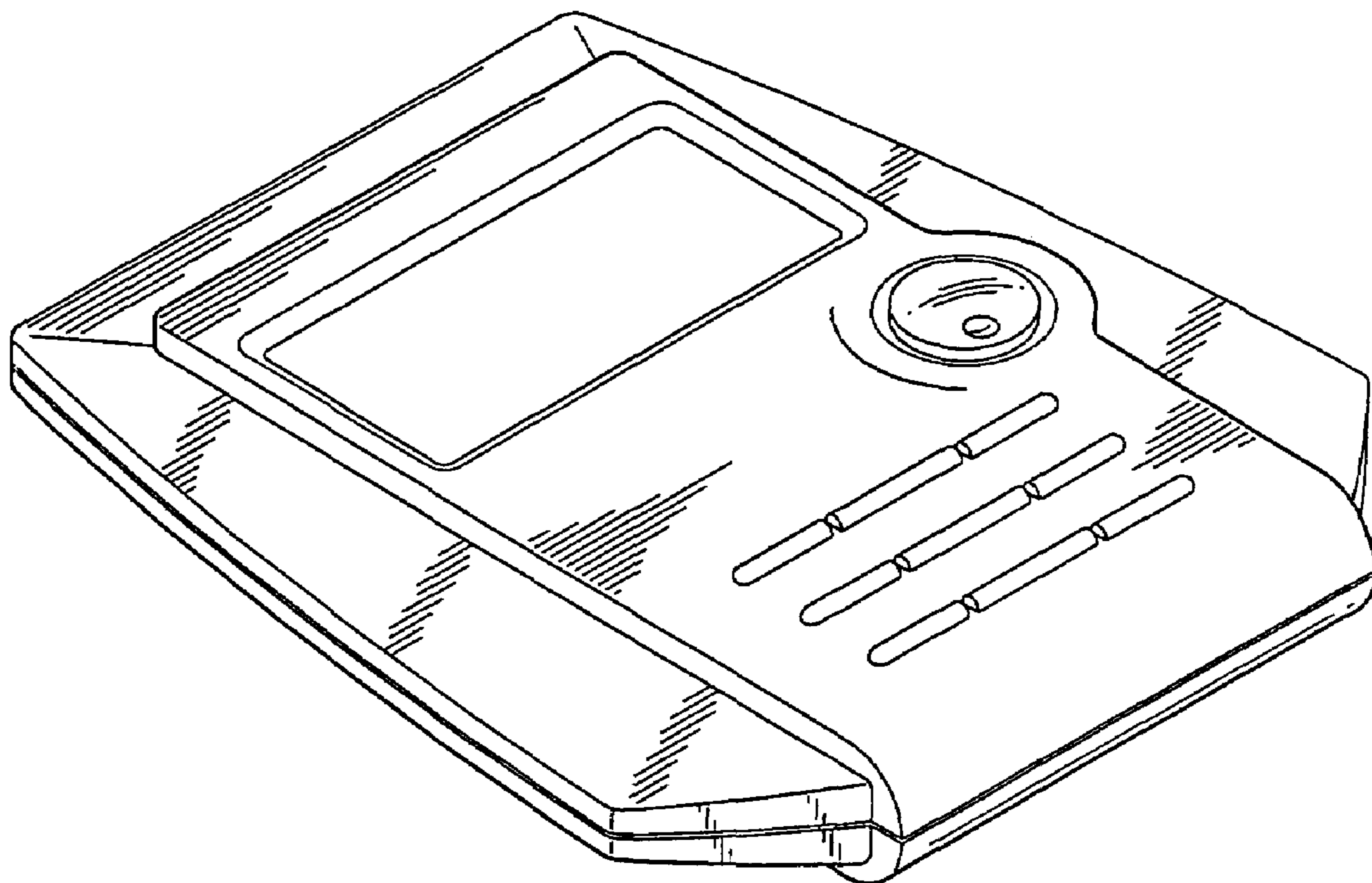
FIG. 4 is a left side view thereof;

FIG. 5 is a right side view thereof;

FIG. 6 is a top plan view thereof; and,

FIG. 7 is a bottom plan view thereof.

1 Claim, 5 Drawing Sheets



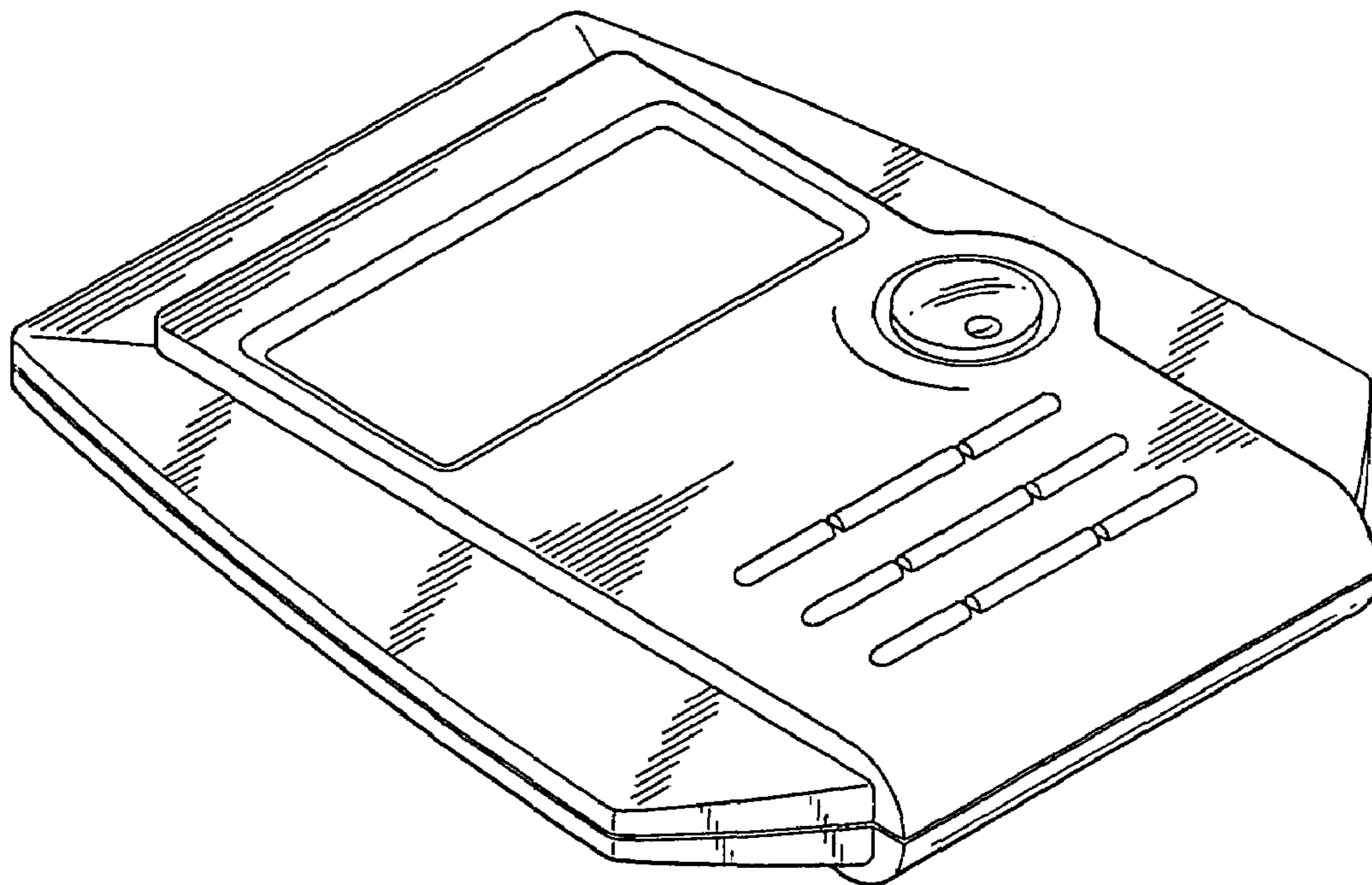


FIG. 1

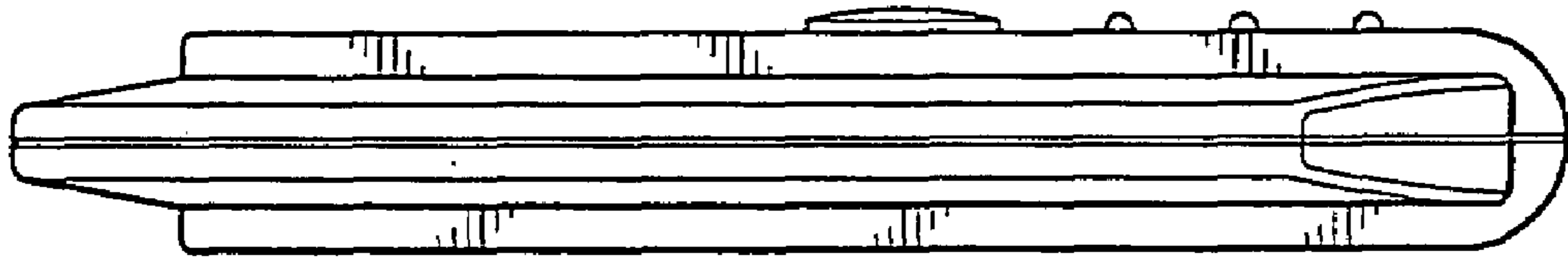


FIG. 2



FIG. 3

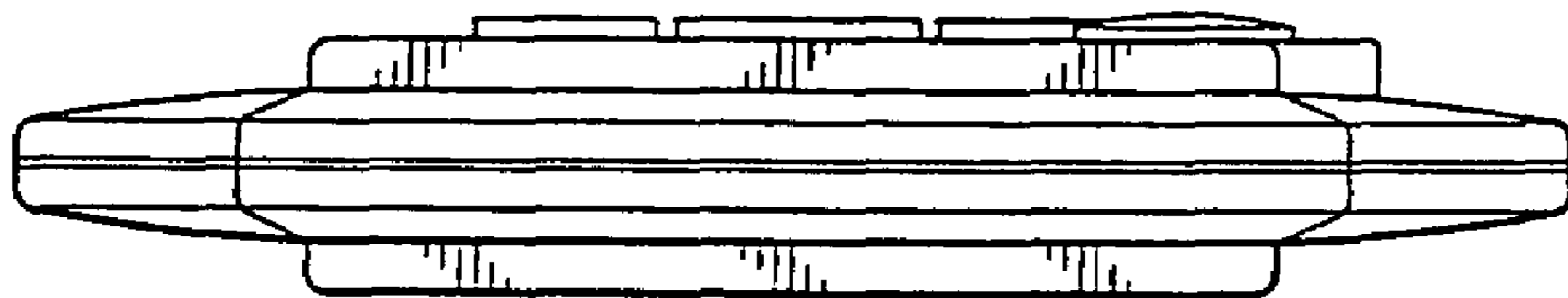


FIG. 4

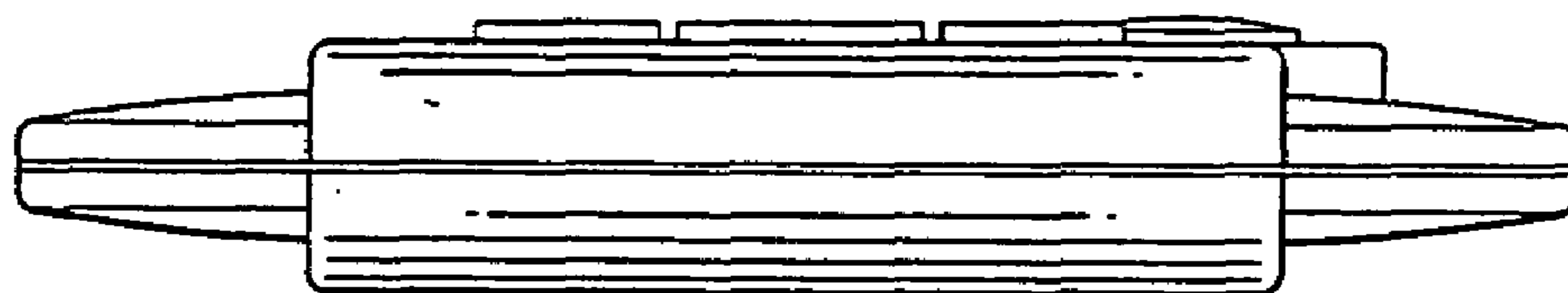


FIG. 5

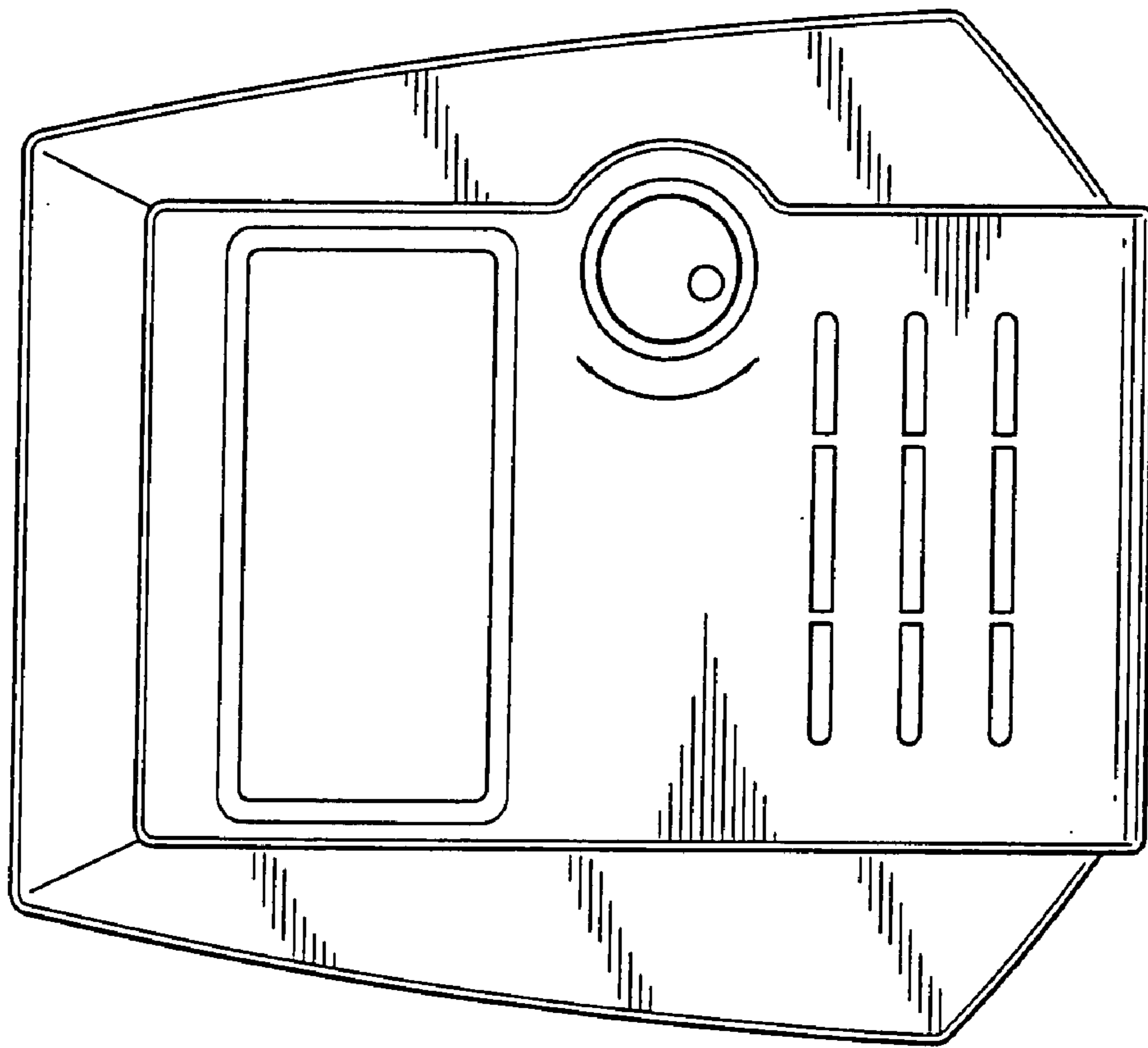


FIG. 6

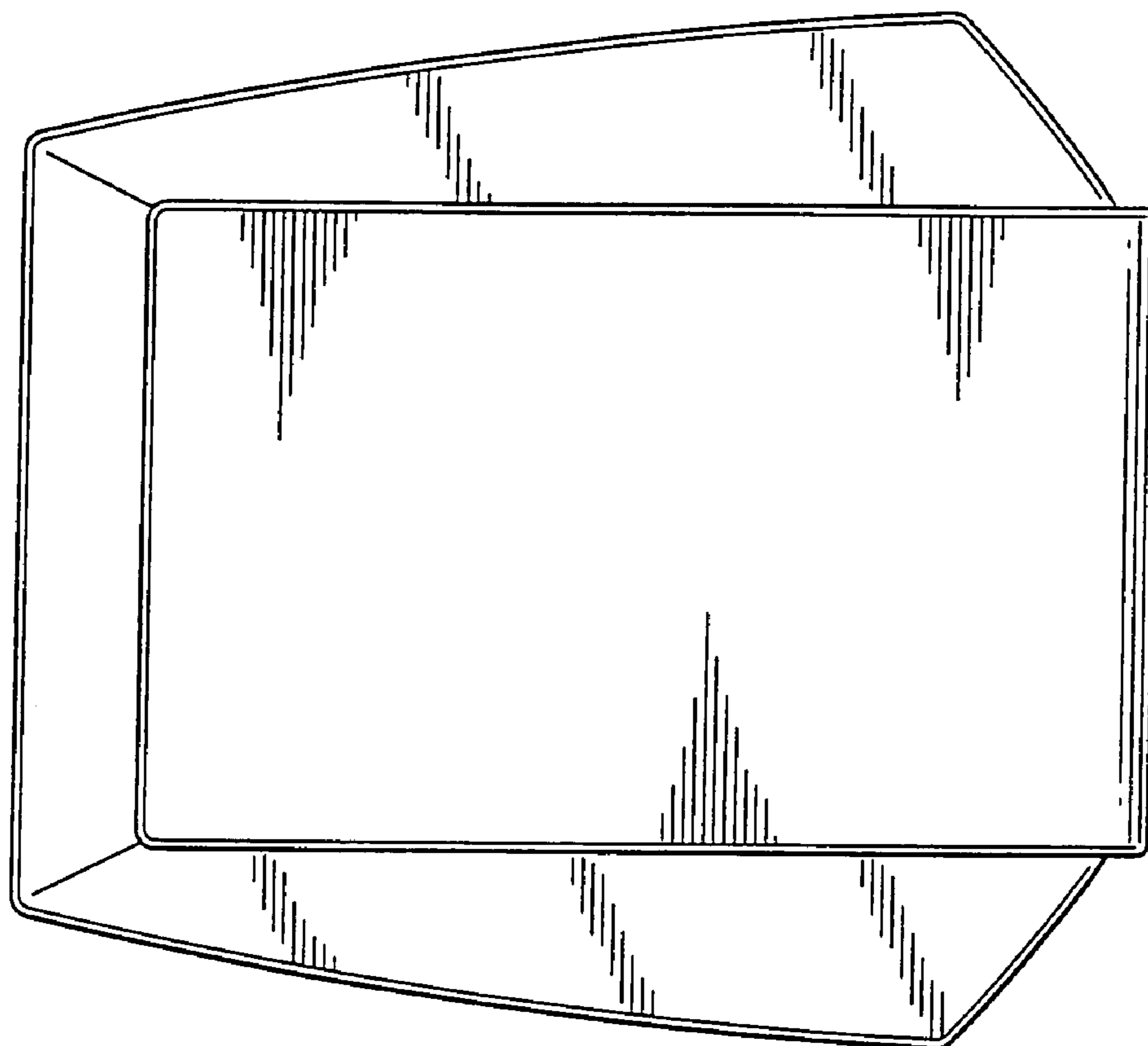


FIG. 7