



US00D546401S

(12) **United States Design Patent** (10) **Patent No.:** **US D546,401 S**
Sorensen (45) **Date of Patent:** **** Jul. 10, 2007**

(54) **TOY BUILDING ELEMENT**

(76) Inventor: **Soren Christian Sorensen**, P.O. Box
31096 SMB Seven Mile Beach, Grand
Cayman (KY)

(**) Term: **14 Years**

(21) Appl. No.: **29/230,166**

(22) Filed: **May 17, 2005**

(51) **LOC (8) Cl.** **21-01**

(52) **U.S. Cl.** **D21/484**

(58) **Field of Classification Search** D21/483,
D21/484-486, 489-494, 499-506; D25/113-118;
446/69, 85, 101-128; 434/403

See application file for complete search history.

(56) **References Cited**

U.S. PATENT DOCUMENTS

2,106,148	A	1/1938	Kellner	
2,972,833	A	2/1961	La Grutta	
4,306,373	A	12/1981	Chatani et al.	
D272,167	S *	1/1984	Chatani et al.	D21/499
D272,256	S *	1/1984	Chatani et al.	D21/499
4,642,064	A	2/1987	Yoke	
D296,342	S *	6/1988	Knudsen	D21/499
5,853,314	A	12/1998	Bora	
D410,708	S	6/1999	Toft	
5,913,706	A	6/1999	Glickman et al.	
D413,942	S	9/1999	Rudy	
D422,036	S *	3/2000	Laserna Fernandez	D21/499
D435,609	S *	12/2000	Sorensen	D21/499
D437,366	S *	2/2001	Stemmler	D21/499
D437,895	S *	2/2001	Sorensen	D21/504
D456,463	S *	4/2002	Sorensen	D21/500
D460,129	S *	7/2002	Barazani et al.	D21/499
6,447,360	B1 *	9/2002	Sorensen	446/124

D470,196 S * 2/2003 Sorensen D21/499
6,616,499 B1 9/2003 Sorensen
6,648,715 B2 * 11/2003 Wiens et al. 446/121
2003/0082986 A1 * 5/2003 Wiens et al. 446/120

* cited by examiner

Primary Examiner—Holly H. Baynham
Assistant Examiner—Cynthia M. Chin
(74) *Attorney, Agent, or Firm*—Edward W. Callan

(57) **CLAIM**

The ornamental design for a toy building element, as shown and described.

DESCRIPTION

It is intended that the toy building element of the present invention be used in a set of toy building elements that are capable of being interconnected in a releasable engagement.

FIG. 1 is a top perspective view of the toy building element.

FIG. 2 is a bottom perspective view of the toy building element shown in FIG. 1.

FIG. 3 is a front view of the toy building element shown in FIG. 1.

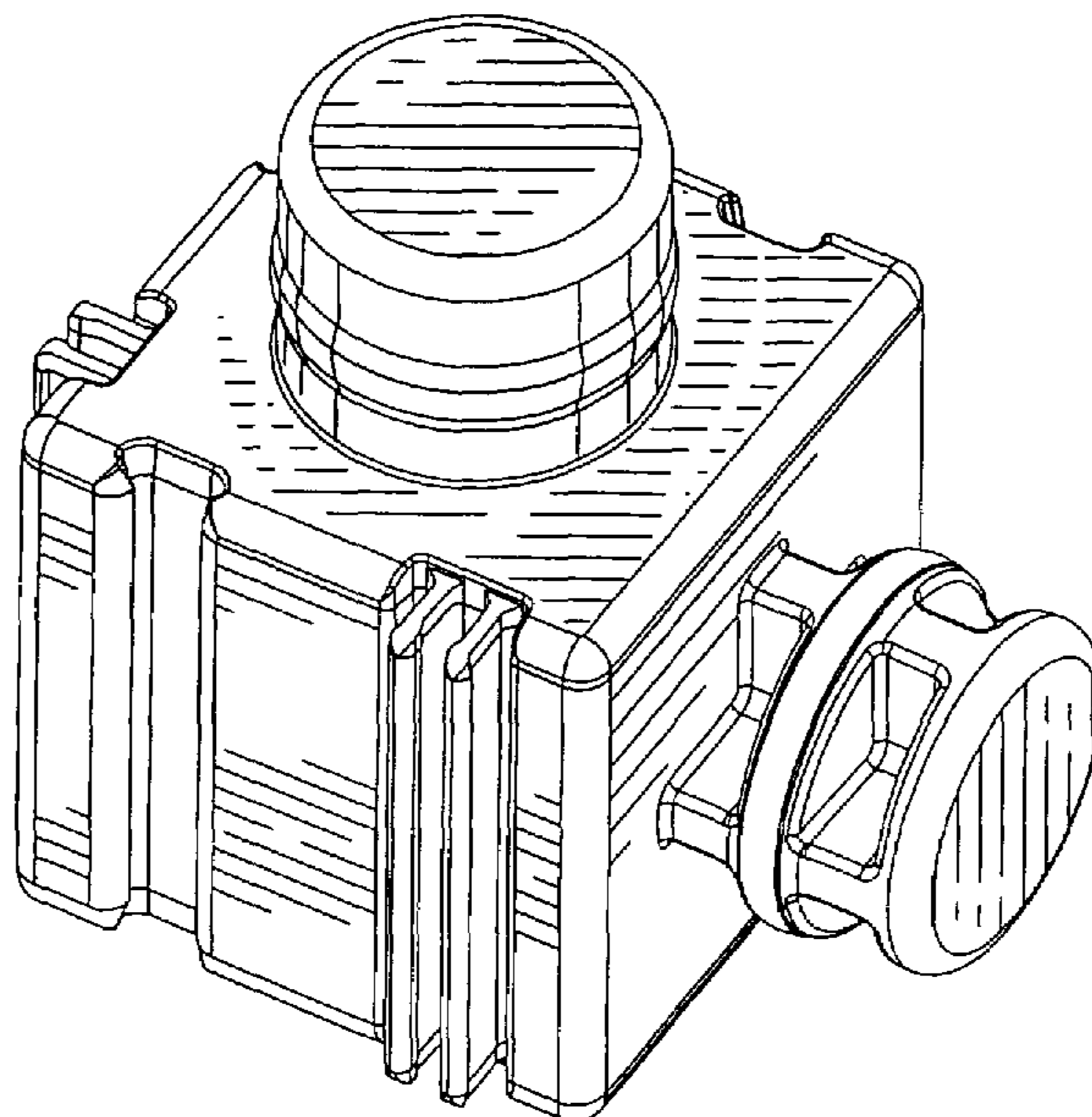
FIG. 4 is a right side view of the toy building element shown in FIG. 1.

FIG. 5 is a top view of the toy building element shown in FIG. 1; and,

FIG. 6 is a bottom view of the toy building element shown in FIG. 1.

The interior of the toy building element, which is shown in broken lines for illustrative purposes only, does not form part of the claimed design.

1 Claim, 3 Drawing Sheets



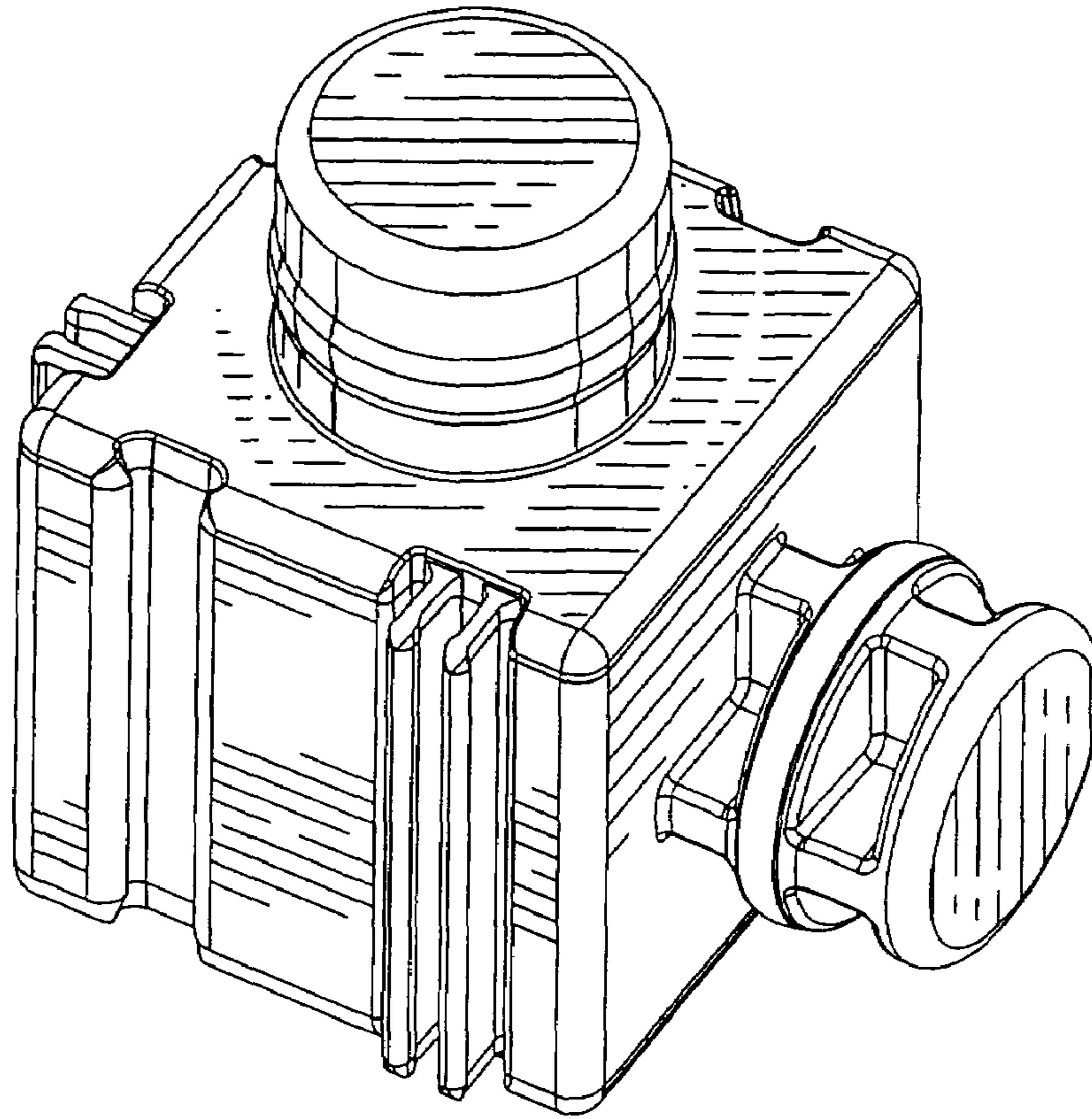


FIG. 1

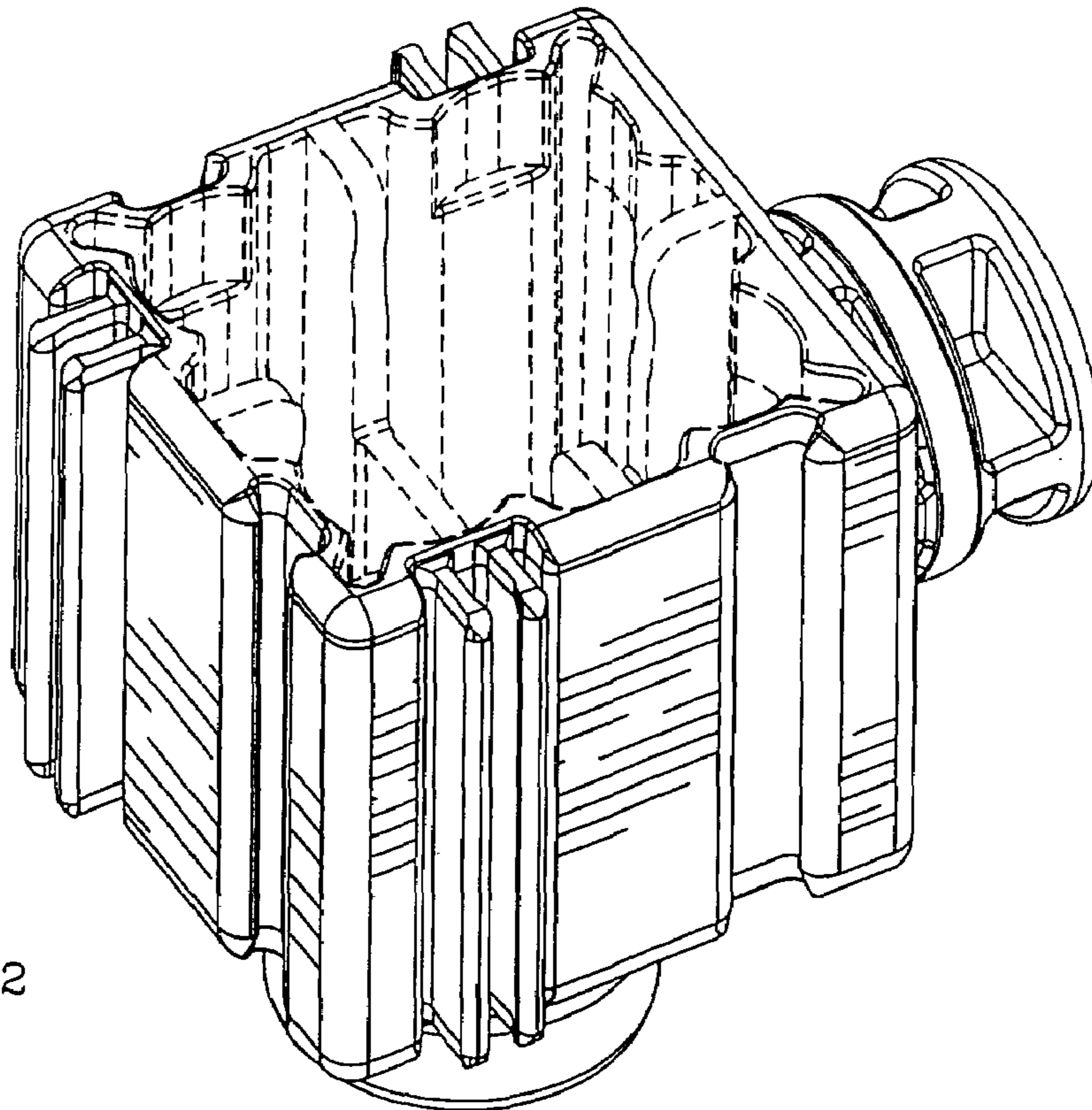


FIG. 2

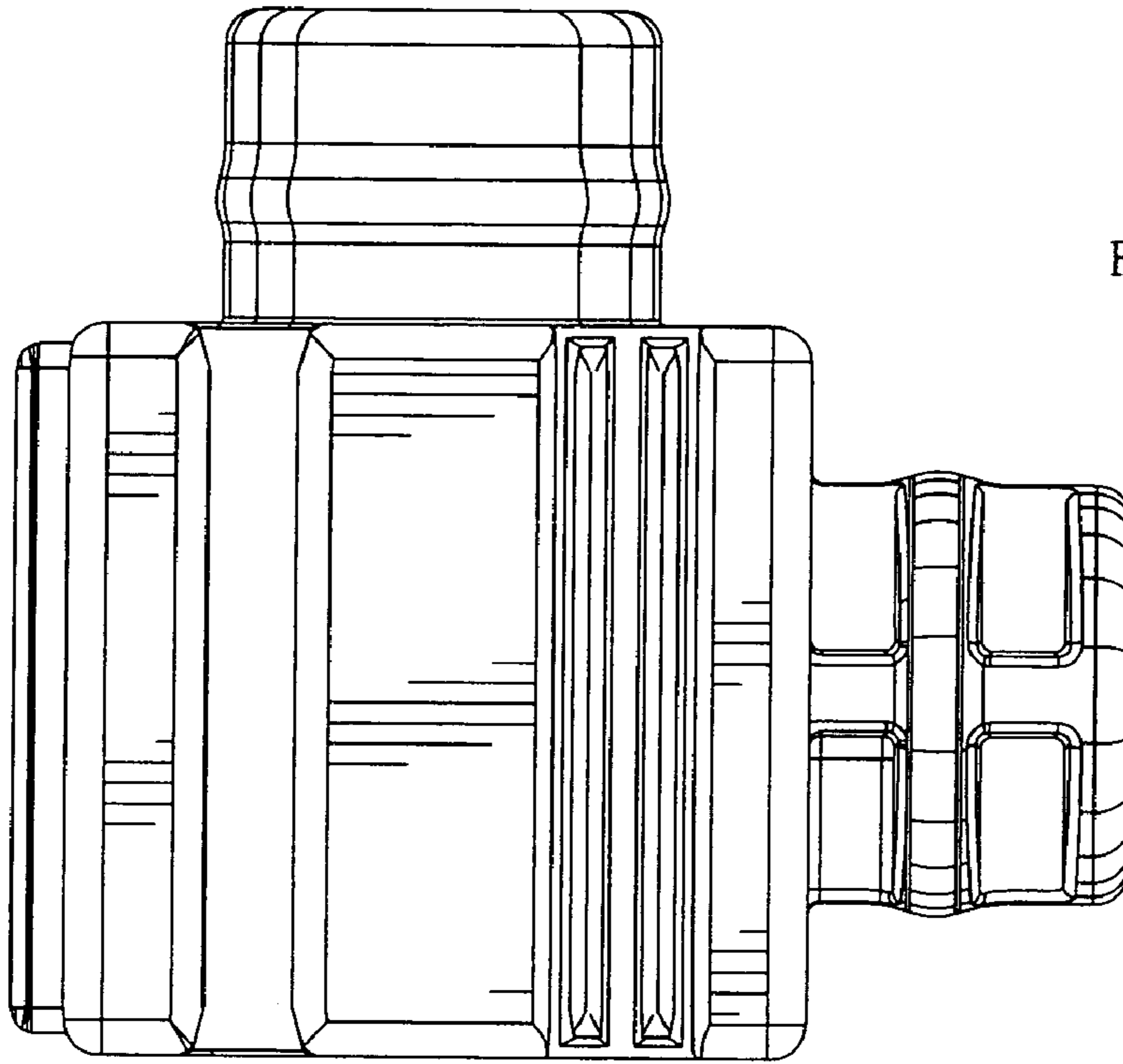


FIG. 3

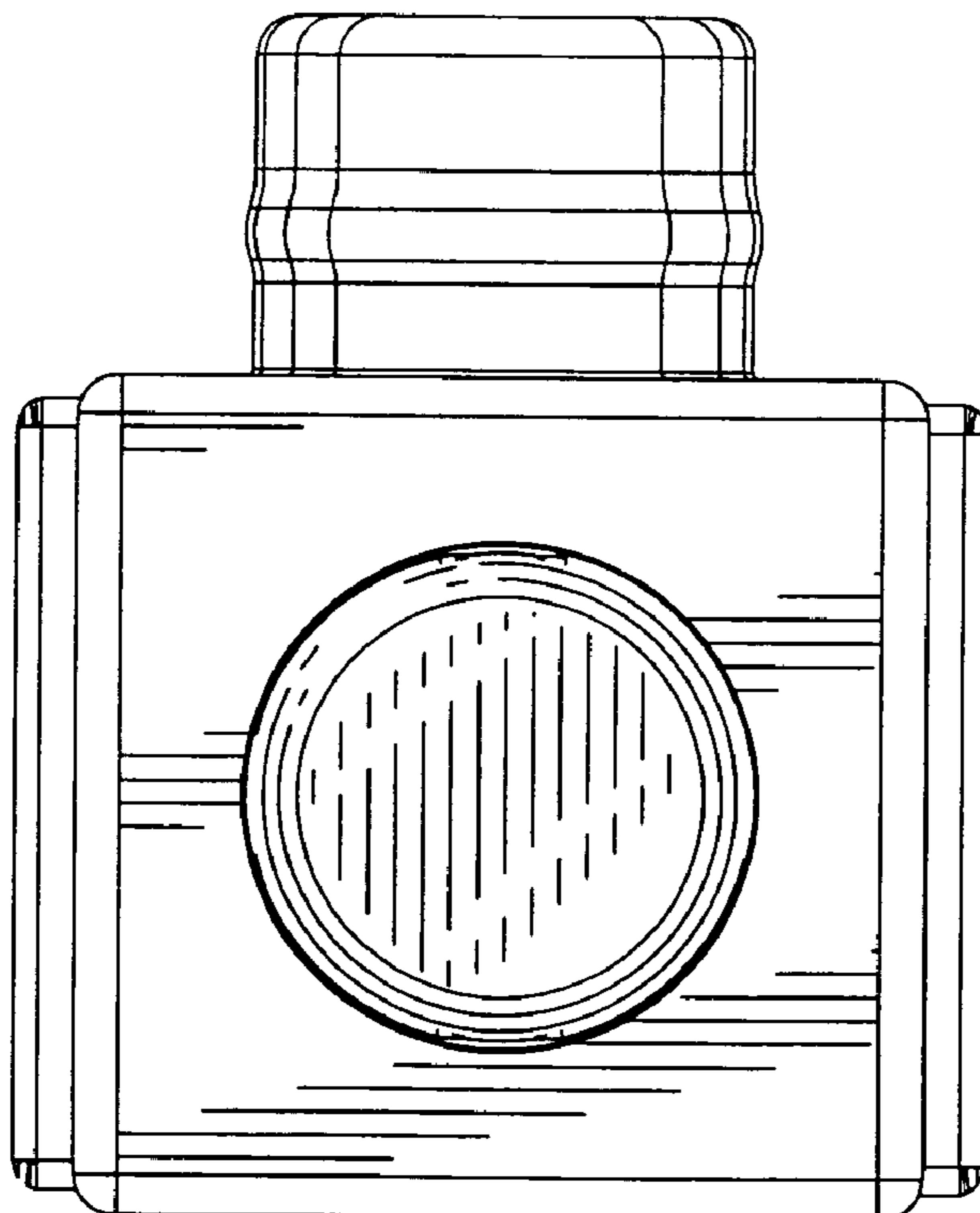


FIG. 4

FIG. 5

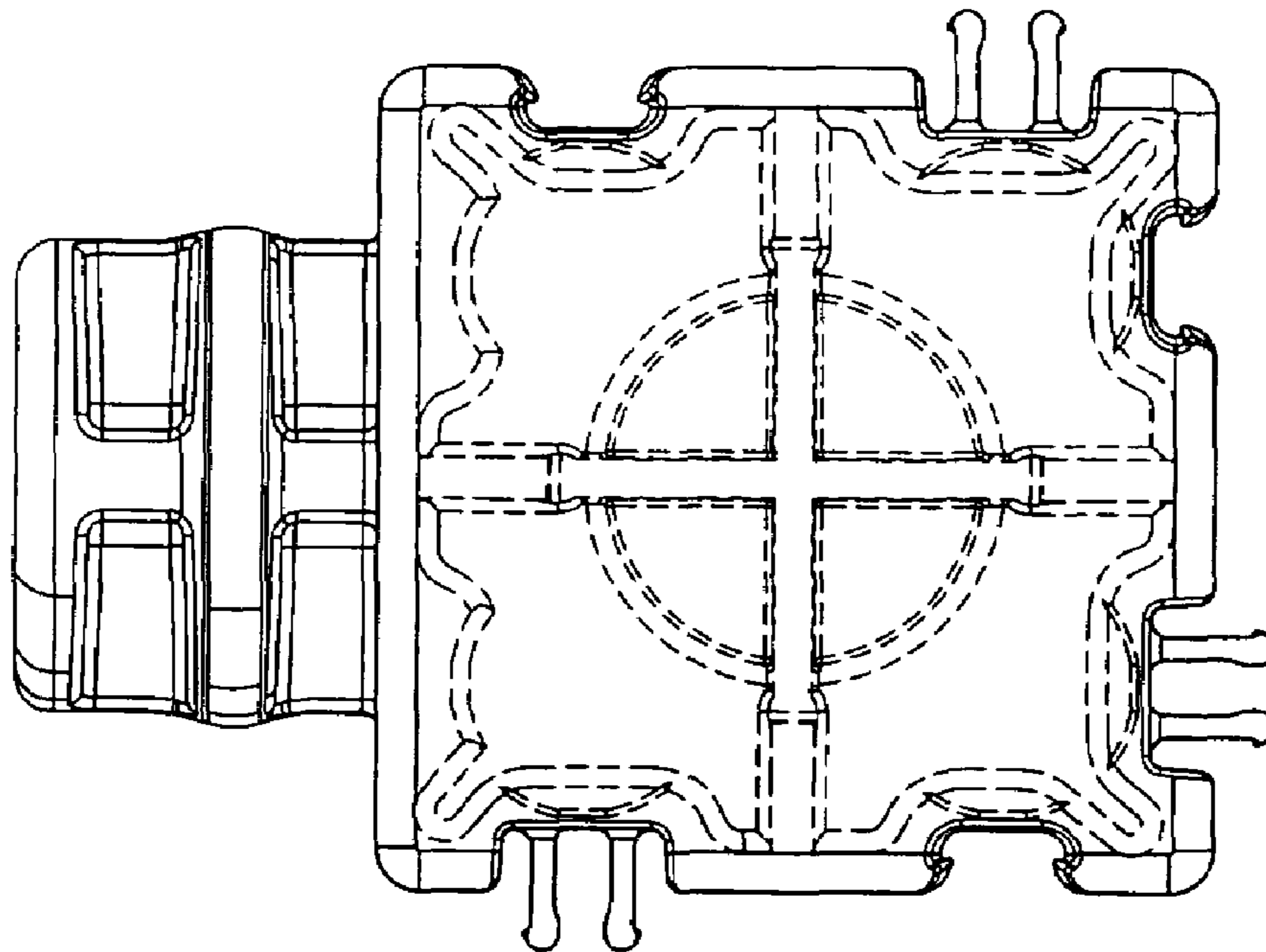
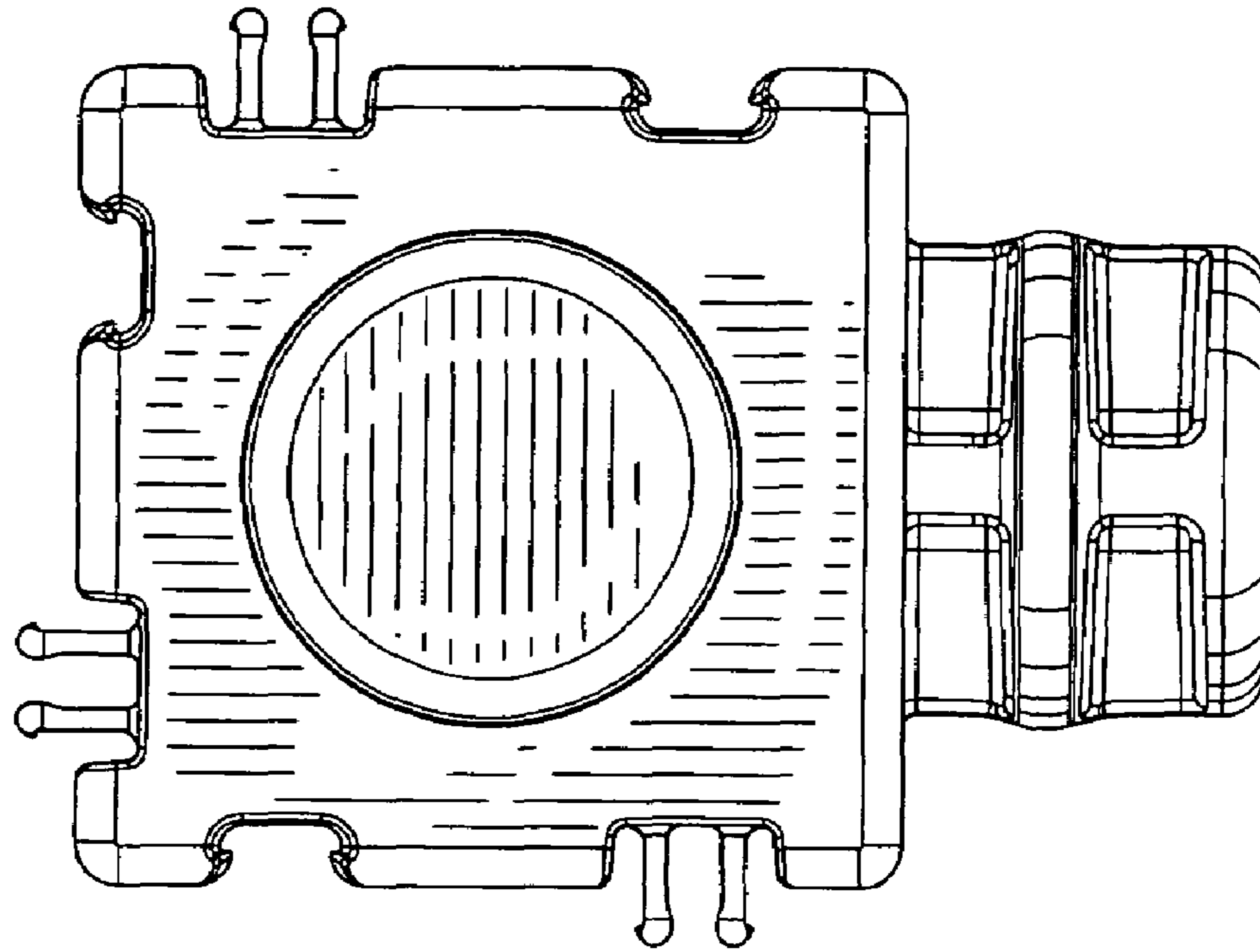


FIG. 6