



US00D546398S

(12) **United States Design Patent**
Foster

(10) **Patent No.:** **US D546,398 S**

(45) **Date of Patent:** **** Jul. 10, 2007**

(54) **PORTABLE GAME ASSEMBLY**

(75) Inventor: **Bruce Foster**, East Longmeadow, MA
(US)

(73) Assignee: **Hasbro, Inc.**, Pawtucket, RI (US)

(**) Term: **14 Years**

(21) Appl. No.: **29/260,706**

(22) Filed: **May 31, 2006**

(51) **LOC (8) Cl.** **21-01**

(52) **U.S. Cl.** **D21/330; D21/335**

(58) **Field of Classification Search** D21/324-333,
D21/335, 337; 273/236, 237, 148 R, 148 B,
273/241, 459, 460, 108.1; 463/1.29-35,
463/46, 47

See application file for complete search history.

(56) **References Cited**

U.S. PATENT DOCUMENTS

1,781,529	A *	11/1930	Shulman	273/260
2,053,598	A	5/1936	Blau		
3,503,612	A *	3/1970	Singer	273/272
4,136,871	A	1/1979	Meyers et al.		
4,194,742	A	3/1980	Adams		
4,371,169	A *	2/1983	Compton	273/271
4,415,161	A	11/1983	Westell		
4,801,148	A	1/1989	Lamb		
D375,126	S *	10/1996	Ikenaga	D21/330
D378,686	S *	4/1997	Proctor et al.	D19/60
D413,359	S *	8/1999	Larian	D21/330
D415,212	S *	10/1999	Hornsby et al.	D21/330
6,428,008	B1 *	8/2002	Singer	273/447
6,616,141	B2 *	9/2003	Diamant	273/108.1
D499,772	S	12/2004	Creech		

D500,095	S	12/2004	Creech		
D505,700	S *	5/2005	Singer	D21/327
7,046,508	B2 *	5/2006	Lin	361/683
D536,039	S *	1/2007	Creech	D21/335

OTHER PUBLICATIONS

Electronic Battleship(R) Advanced Mission Game, Hasbro, Inc.
Copyright 2001.

* cited by examiner

Primary Examiner—Prabhakar Deshmukh

(74) *Attorney, Agent, or Firm*—Perry Hoffman

(57) **CLAIM**

The ornamental design for a portable game assembly, as shown and described.

DESCRIPTION

FIG. 1 is a perspective view of a portable game assembly in a closed position showing my new design;

FIG. 2 is a perspective view thereof in an open position;

FIG. 3 is a top plan view thereof in the open position;

FIG. 4 is a bottom plan view thereof in the open position;

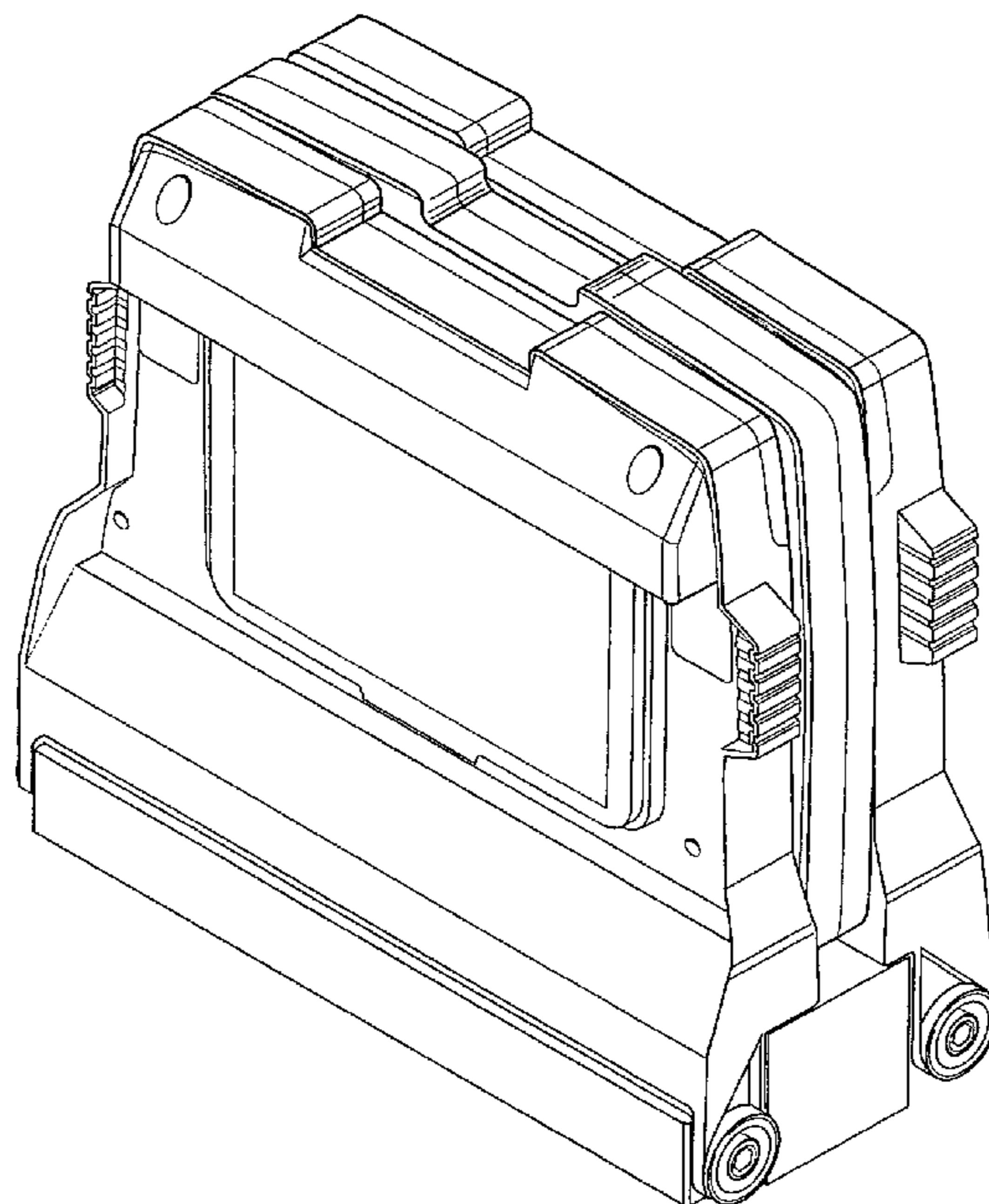
FIG. 5 is a left side elevational view thereof in the open position;

FIG. 6 is a right side elevational view thereof in the open position;

FIG. 7 is a rear elevational view thereof in the open position; and,

FIG. 8 is a front elevational view thereof in the open position.

1 Claim, 8 Drawing Sheets



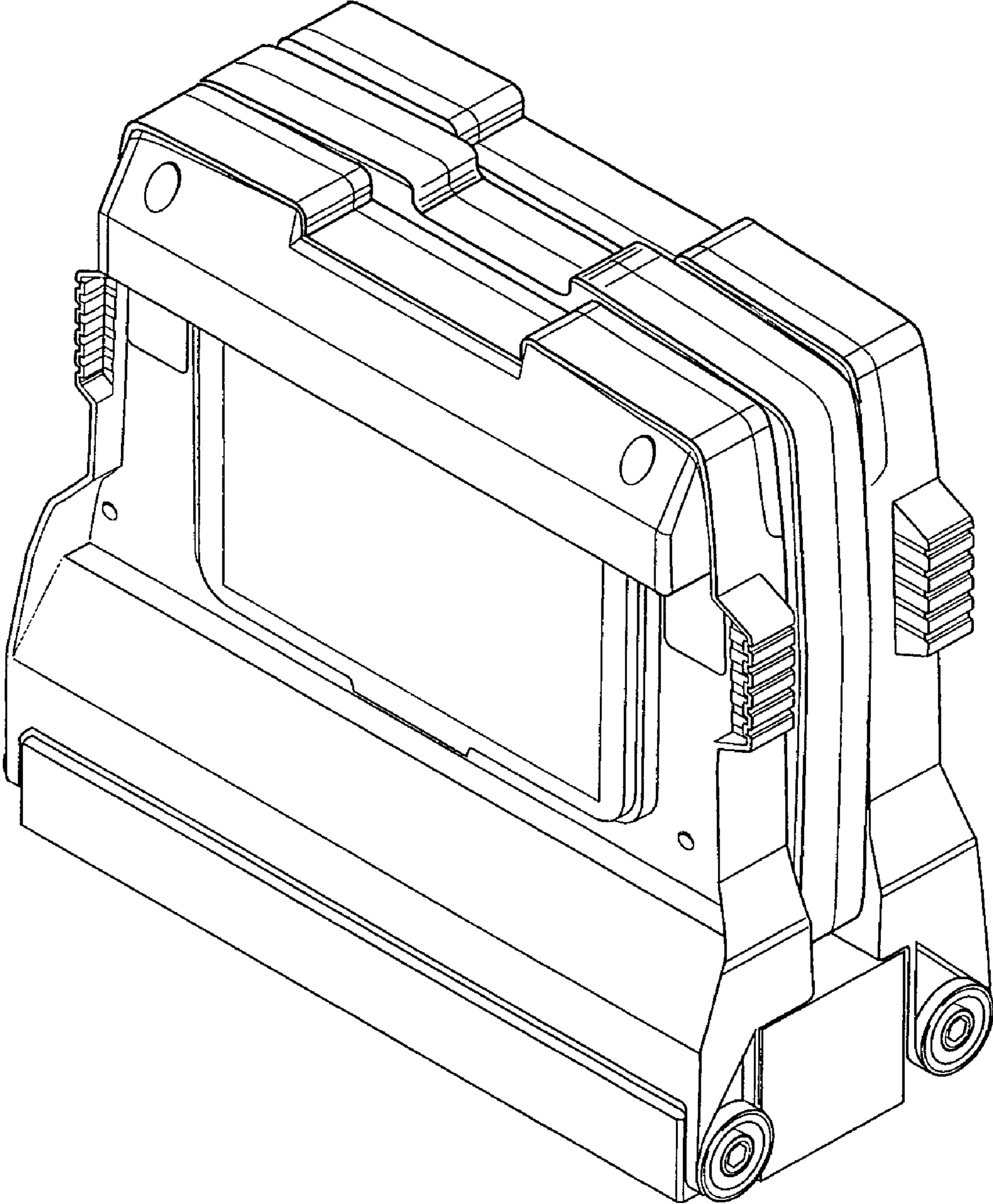


FIGURE 1

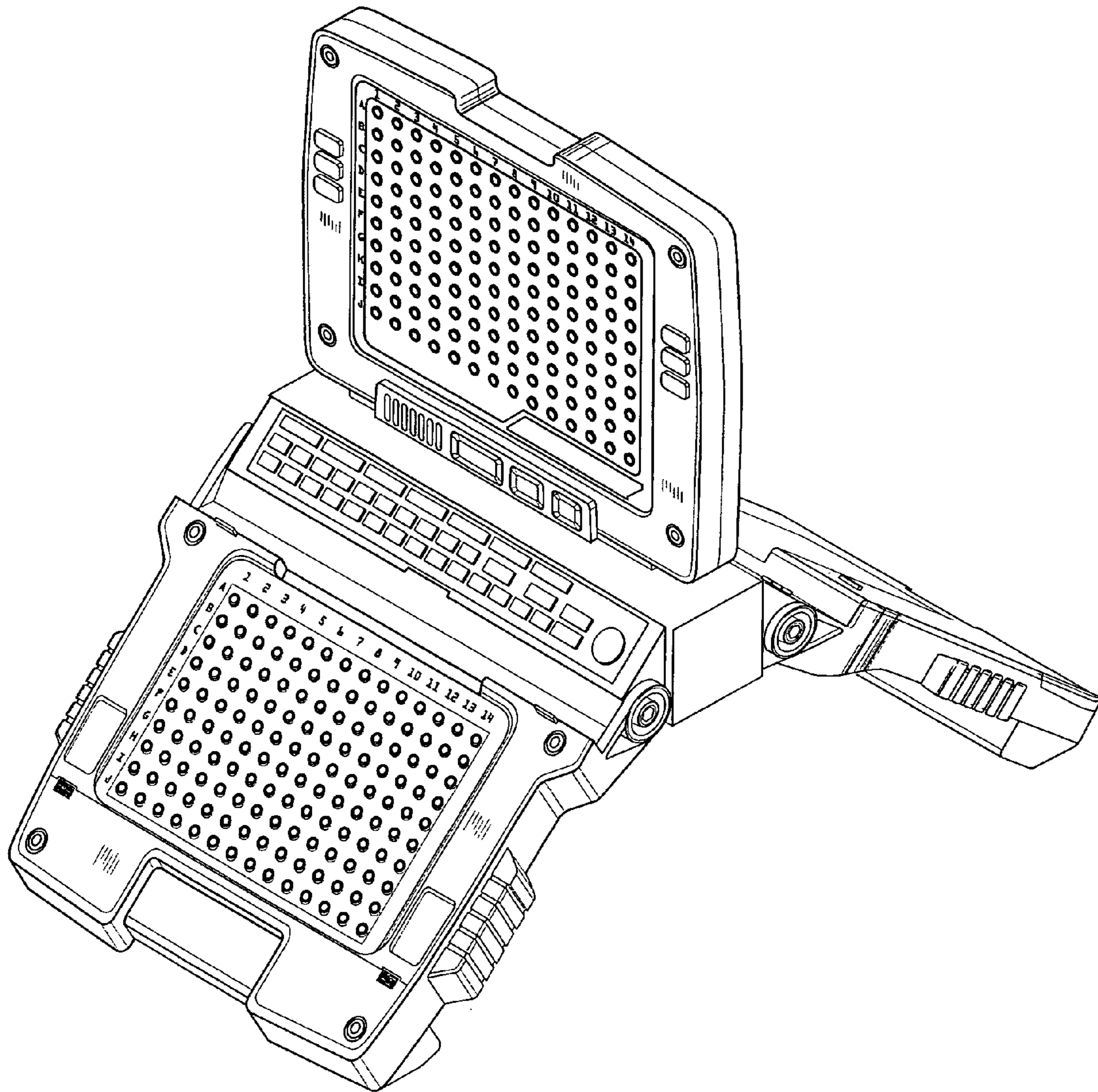


FIGURE 2

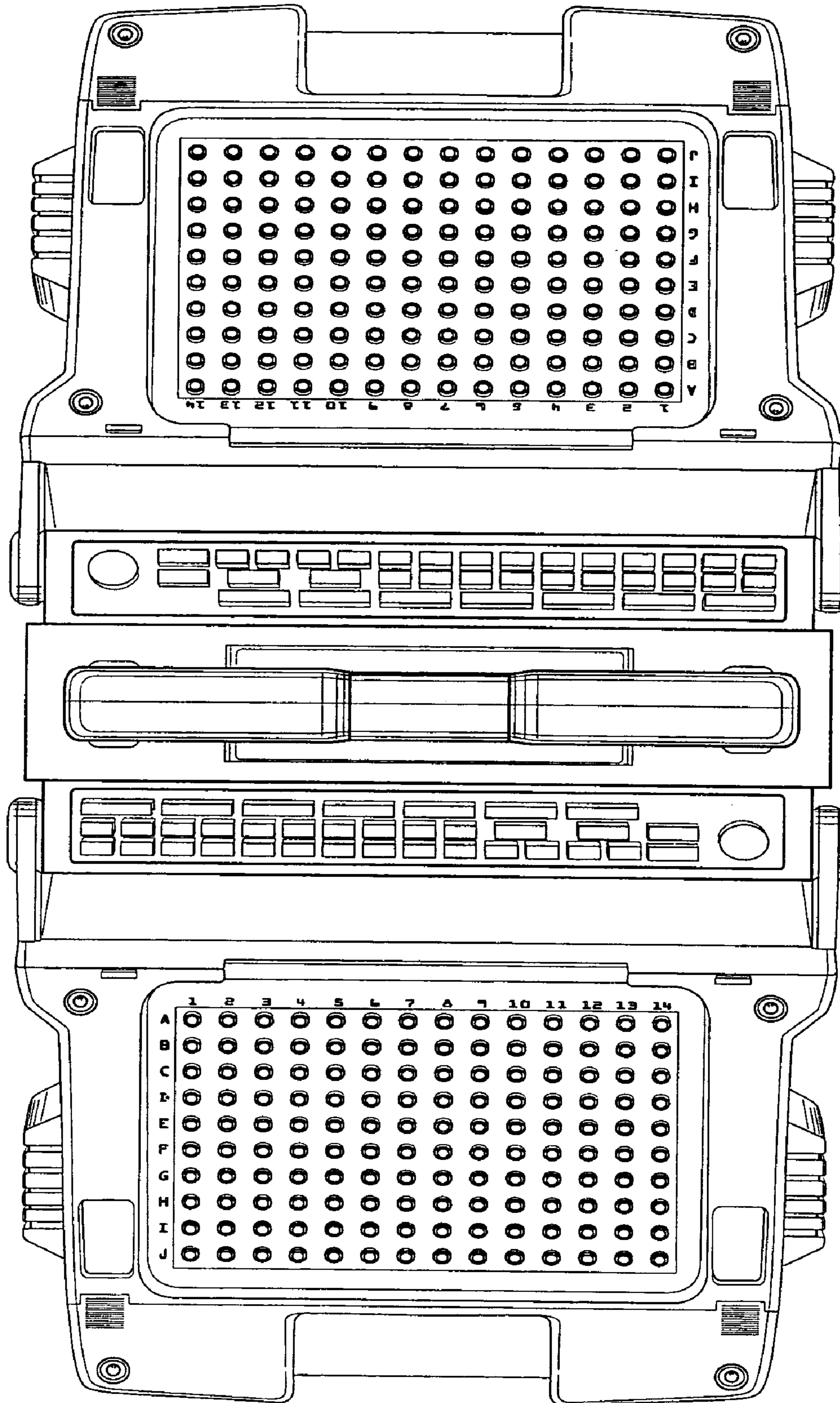


FIGURE 3

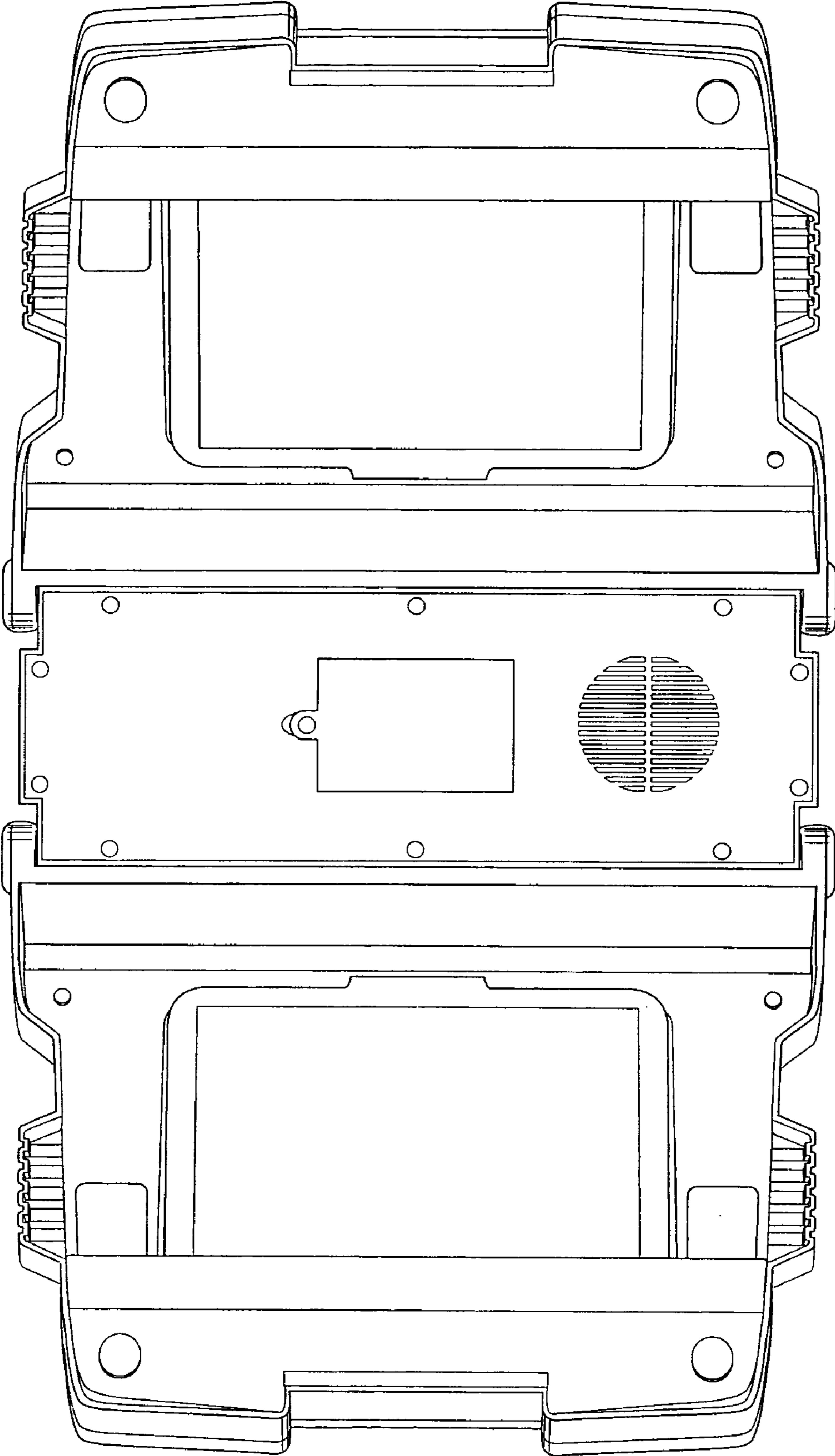


FIGURE 4

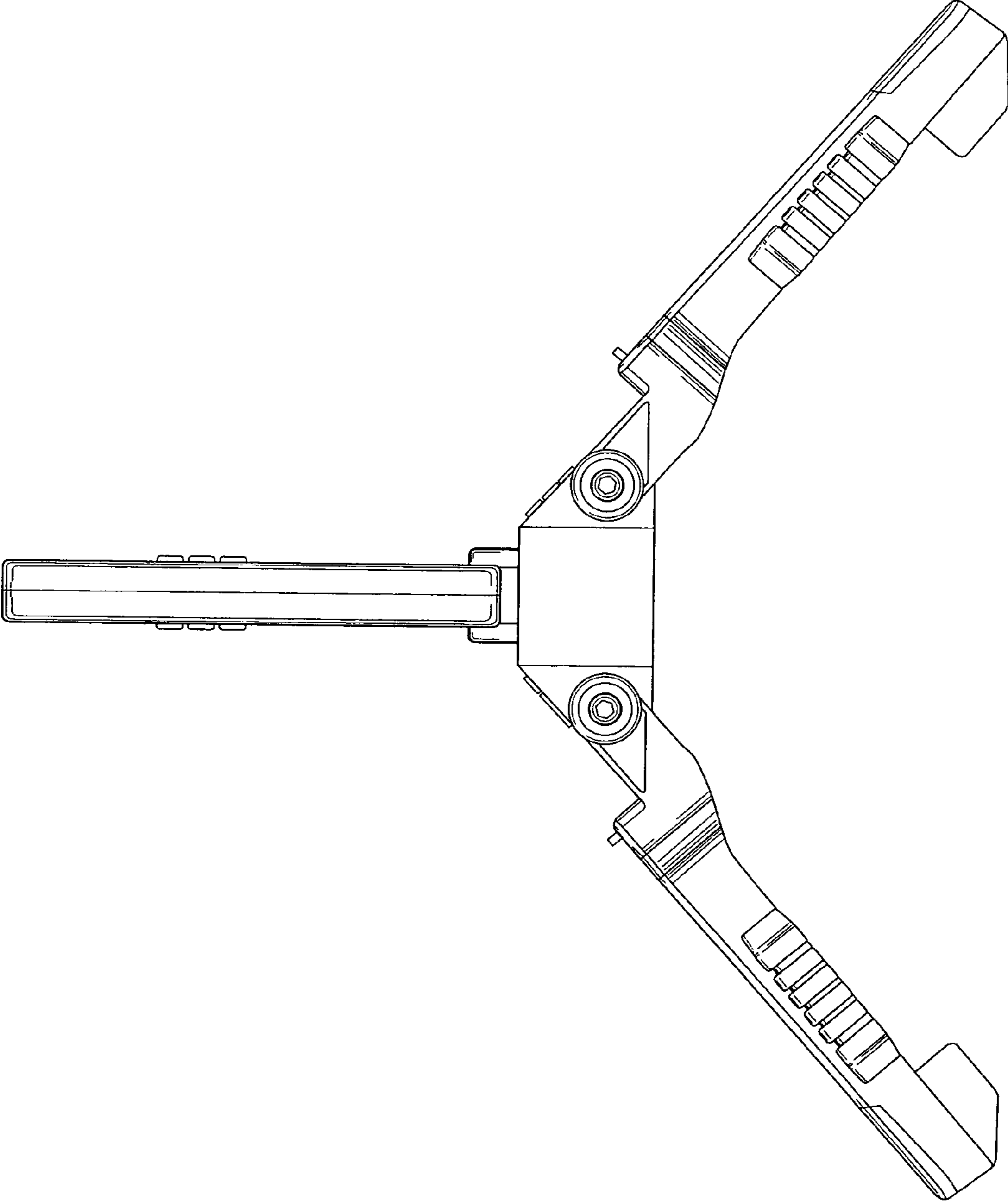


FIGURE 5

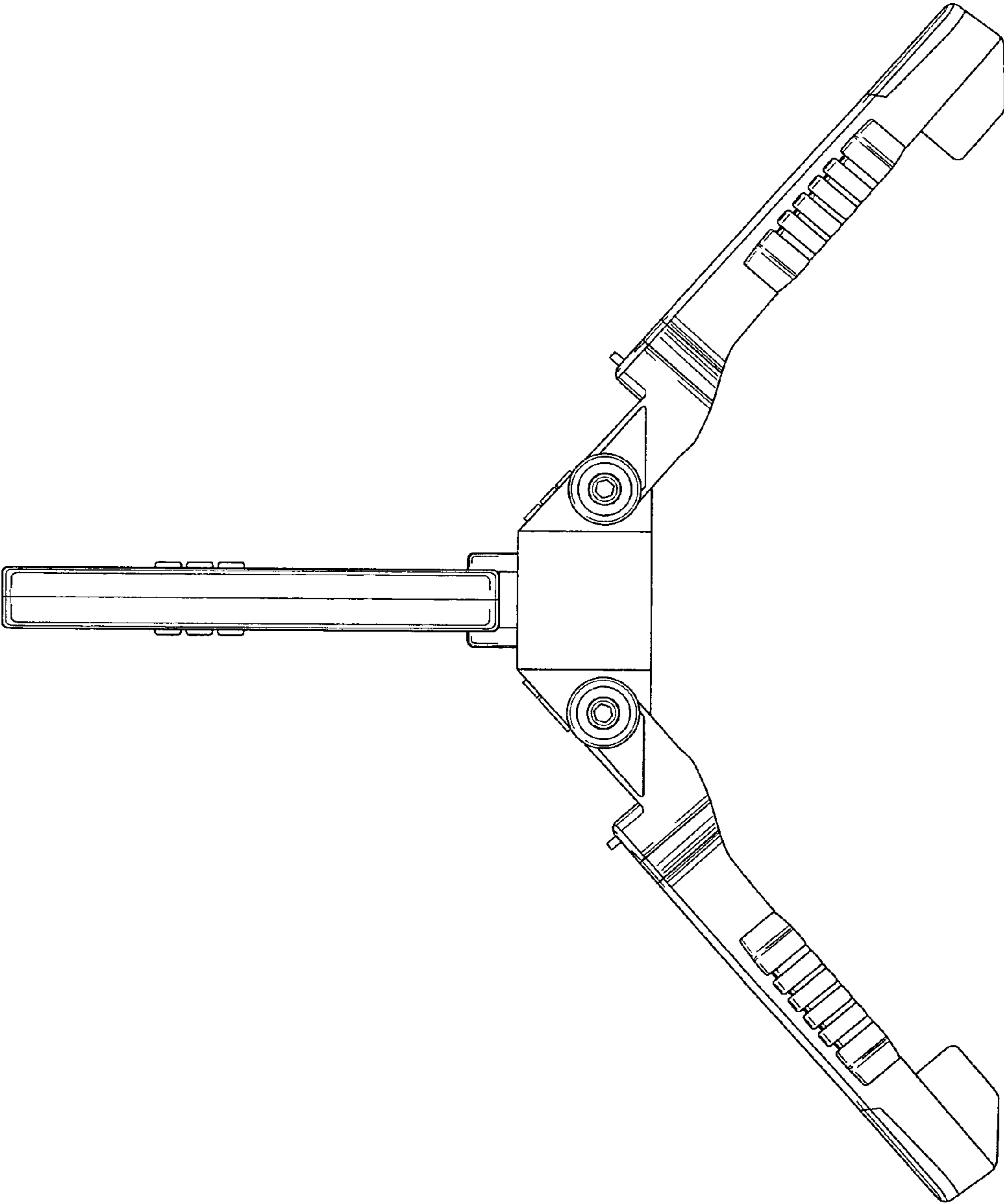


FIGURE 6

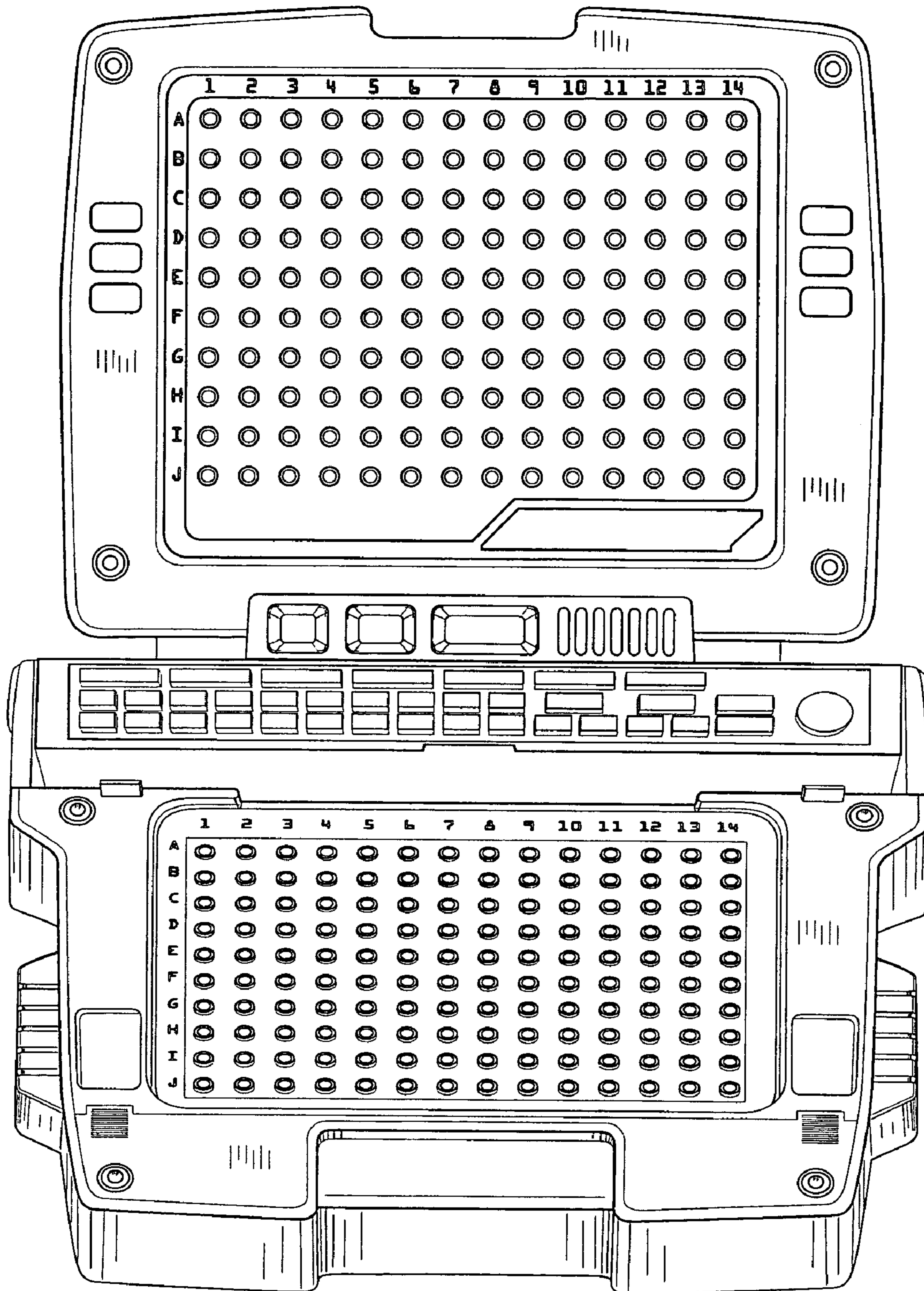


FIGURE 7

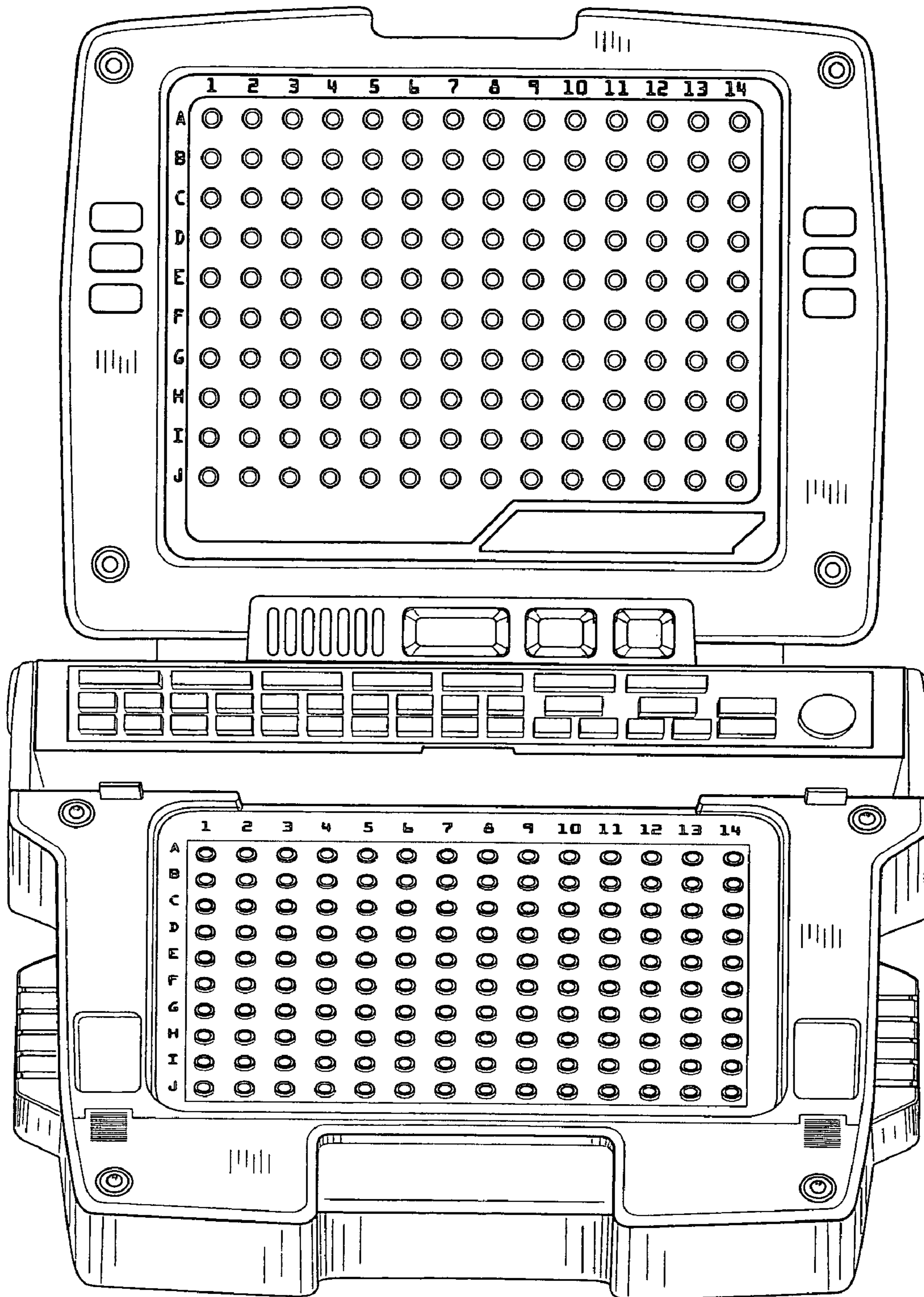


FIGURE 8