

US00D546397S

(12) **United States Design Patent**
Sakurai

(10) **Patent No.:** **US D546,397 S**

(45) **Date of Patent:** **** Jul. 10, 2007**

(54) **PORTABLE GAME DEVICE**

(75) Inventor: **Masahiro Sakurai**, Tokyo (JP)

(73) Assignee: **Sega Corporation**, Tokyo (JP)

(**) Term: **14 Years**

(21) Appl. No.: **29/261,481**

(22) Filed: **Jun. 15, 2006**

(30) **Foreign Application Priority Data**

Feb. 13, 2006 (JP) 2006-003060

(51) **LOC (8) Cl.** **21-01**

(52) **U.S. Cl.** **D21/329**

(58) **Field of Classification Search** D21/324-330,
D21/333; 273/148 B, 148 A; 463/1, 29-35,
463/46, 47, 7; 345/905

See application file for complete search history.

(56) **References Cited**

U.S. PATENT DOCUMENTS

D262,720 S *	1/1982	Dweck	D21/328
D407,760 S *	4/1999	Yokoi	D21/329
D425,571 S *	5/2000	Goto	D21/329
D428,447 S *	7/2000	Tang	D21/329
D449,655 S *	10/2001	Yamanaka	D21/329
D468,365 S *	1/2003	Bransky et al.	D21/329
6,540,611 B1 *	4/2003	Nagata	463/31
6,743,104 B1 *	6/2004	Ota et al.	463/44
6,852,033 B2 *	2/2005	Kinjo et al.	463/30

7,018,294 B2 * 3/2006 Silverbrook et al. 463/30
7,104,884 B2 * 9/2006 Yokoi 463/7

* cited by examiner

Primary Examiner—Prabhakar Deshmukh

(74) *Attorney, Agent, or Firm*—Dickstein Shapiro LLP

(57) **CLAIM**

The ornamental design for a portable game device, as shown and described.

DESCRIPTION

FIG. 1 is a front, top and right side perspective view of my new design for a portable game device;

FIG. 2 is a front elevational view of the portable game device of FIG. 1;

FIG. 3 is a rear elevational view of the portable game device of FIG. 1;

FIG. 4 is a top plan view of the portable game device of FIG. 1;

FIG. 5 is a bottom plan view of the portable game device of FIG. 1;

FIG. 6 is a right side elevational view of the portable game device of FIG. 1; and,

FIG. 7 is a left side elevational view of the portable game device of FIG. 1.

The broken lines are for illustrative purpose only and form no part of the claimed design.

1 Claim, 4 Drawing Sheets

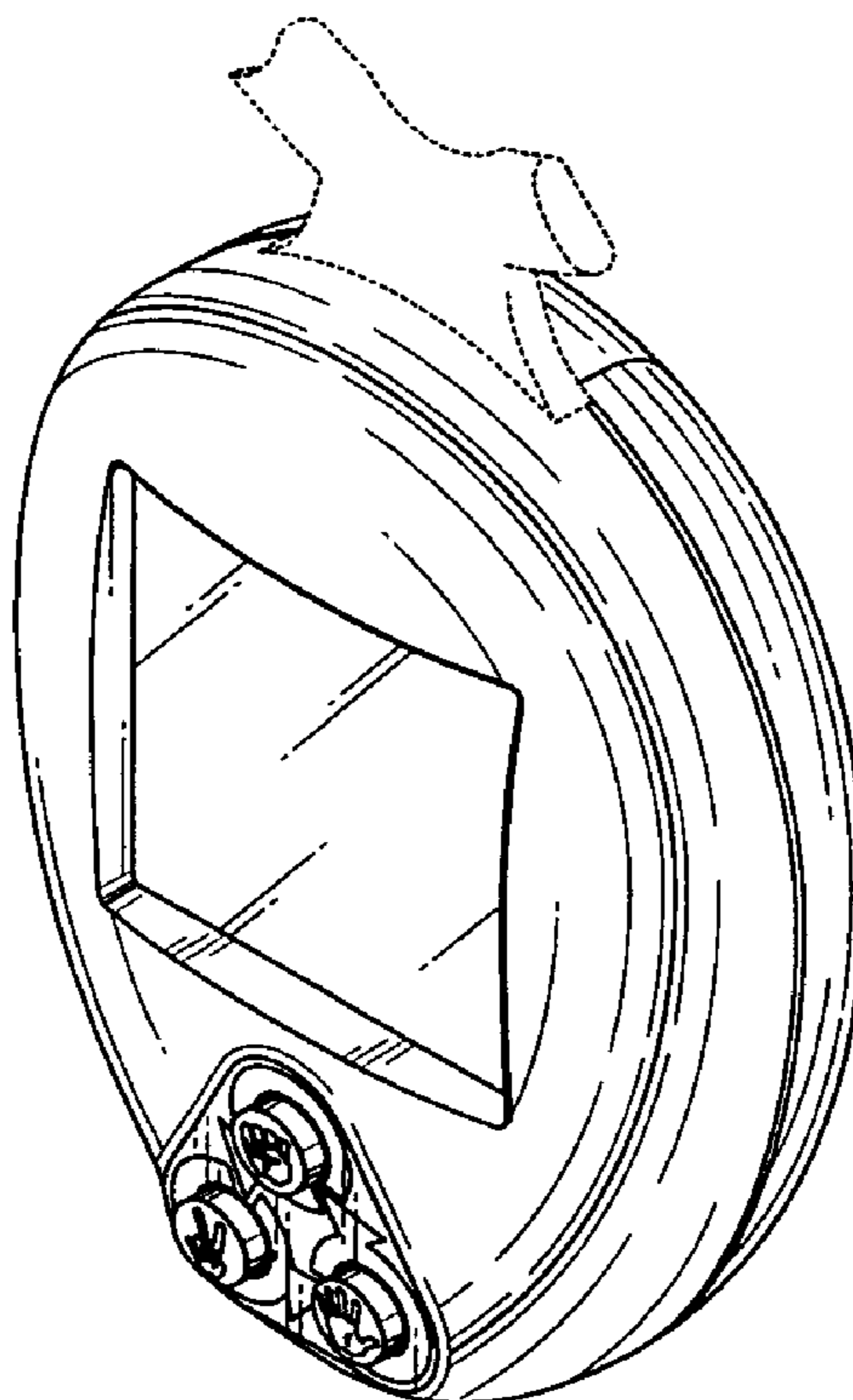


FIG. 1

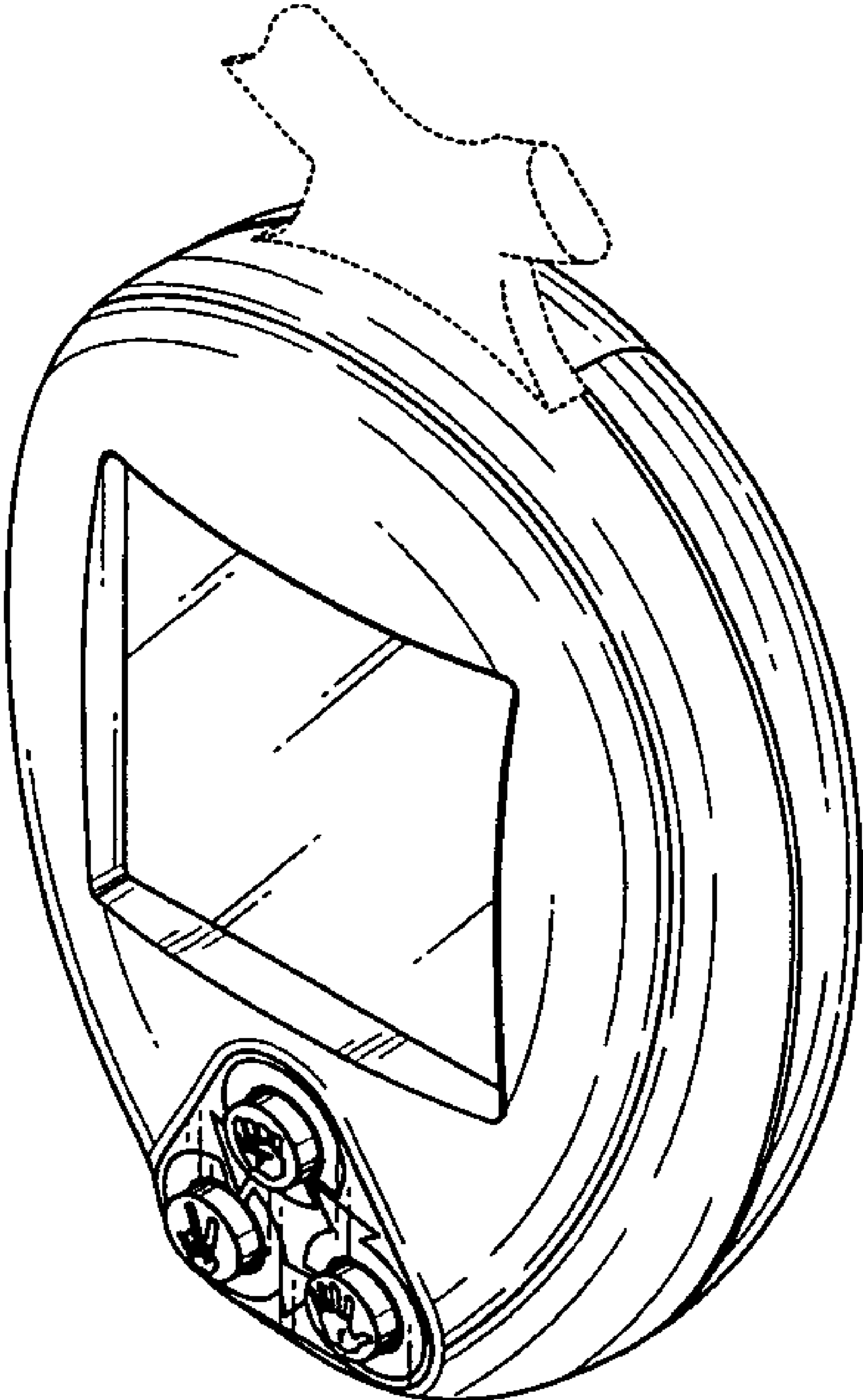


FIG.2

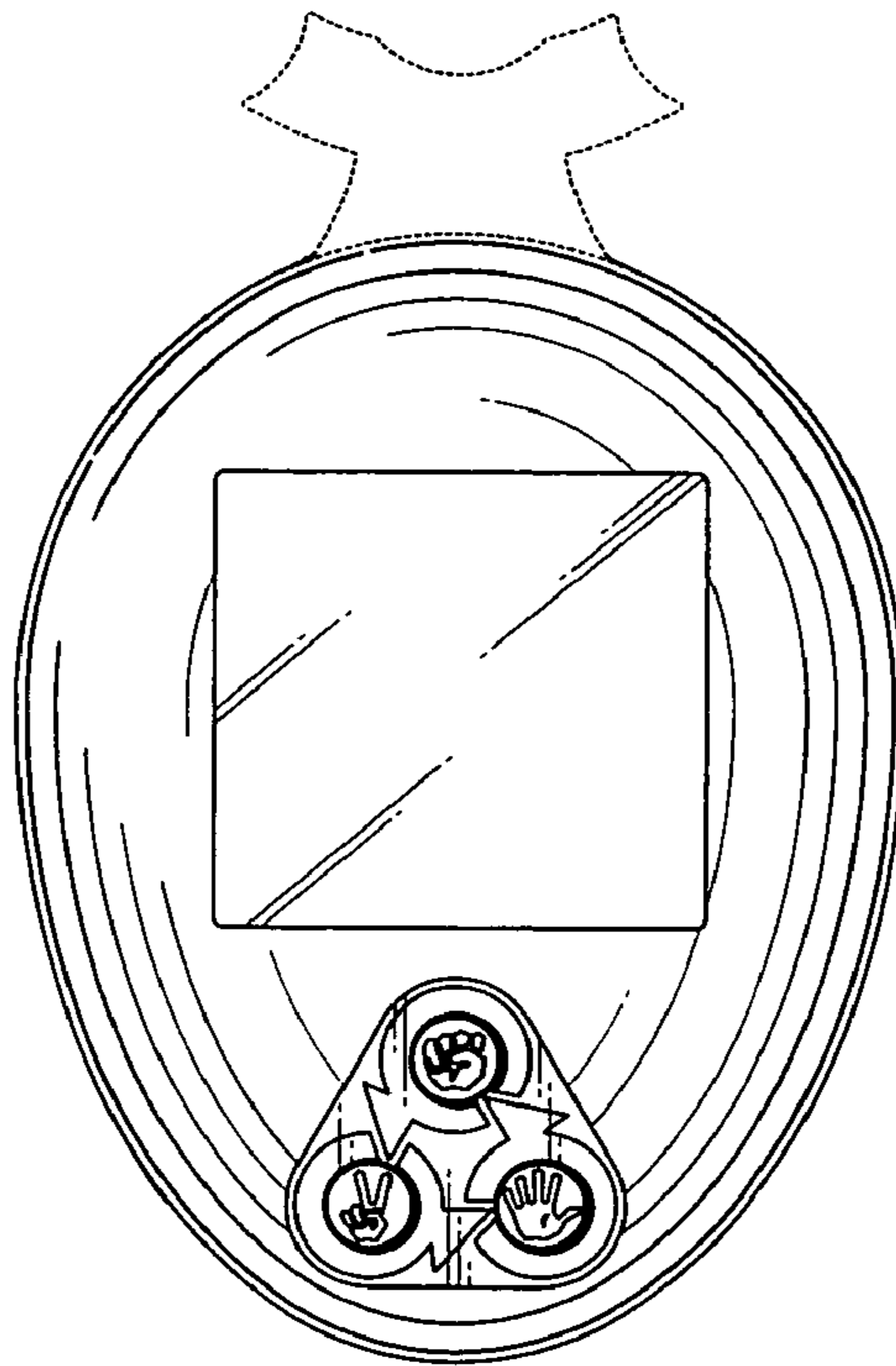


FIG.3

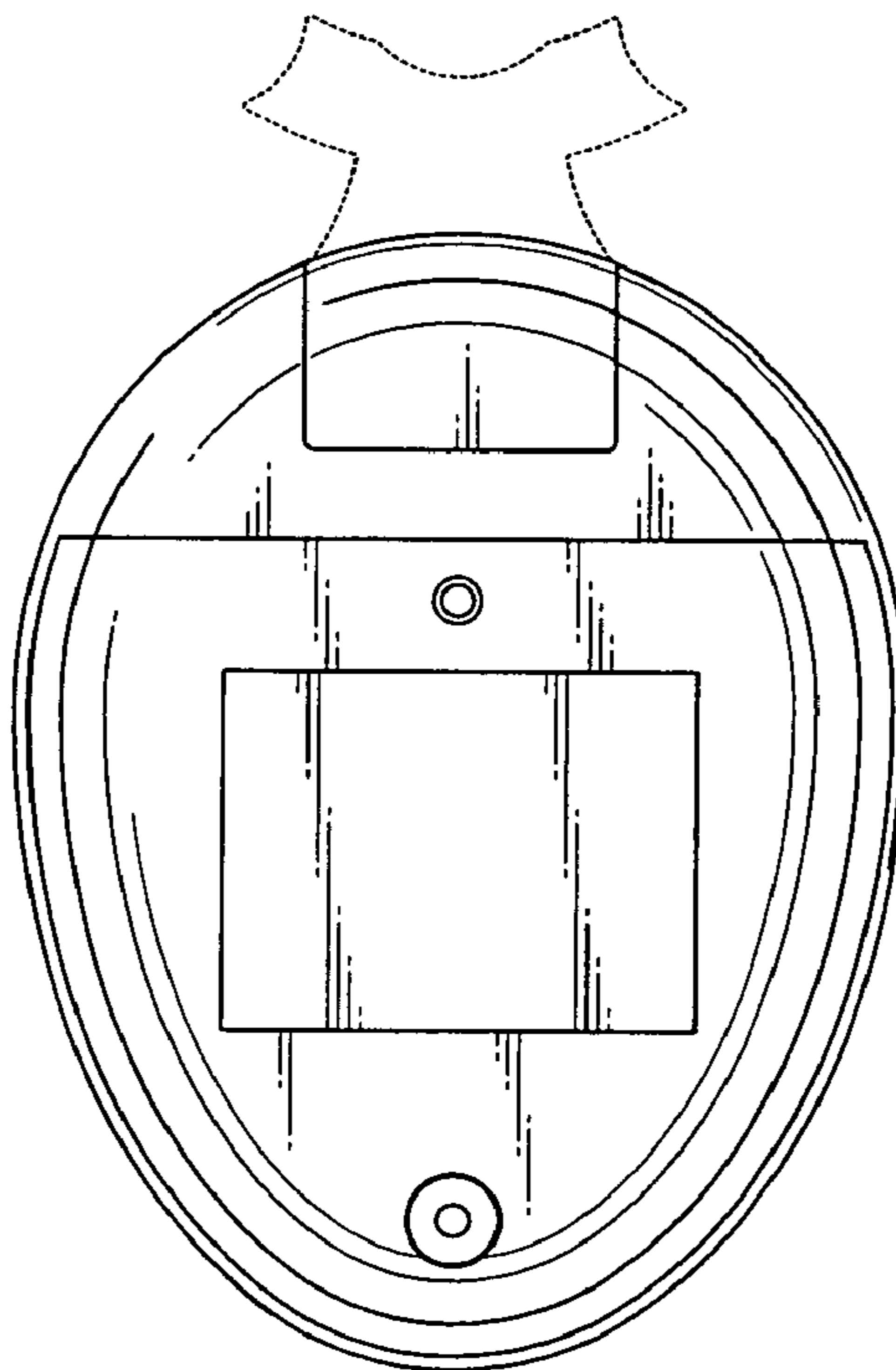


FIG.4

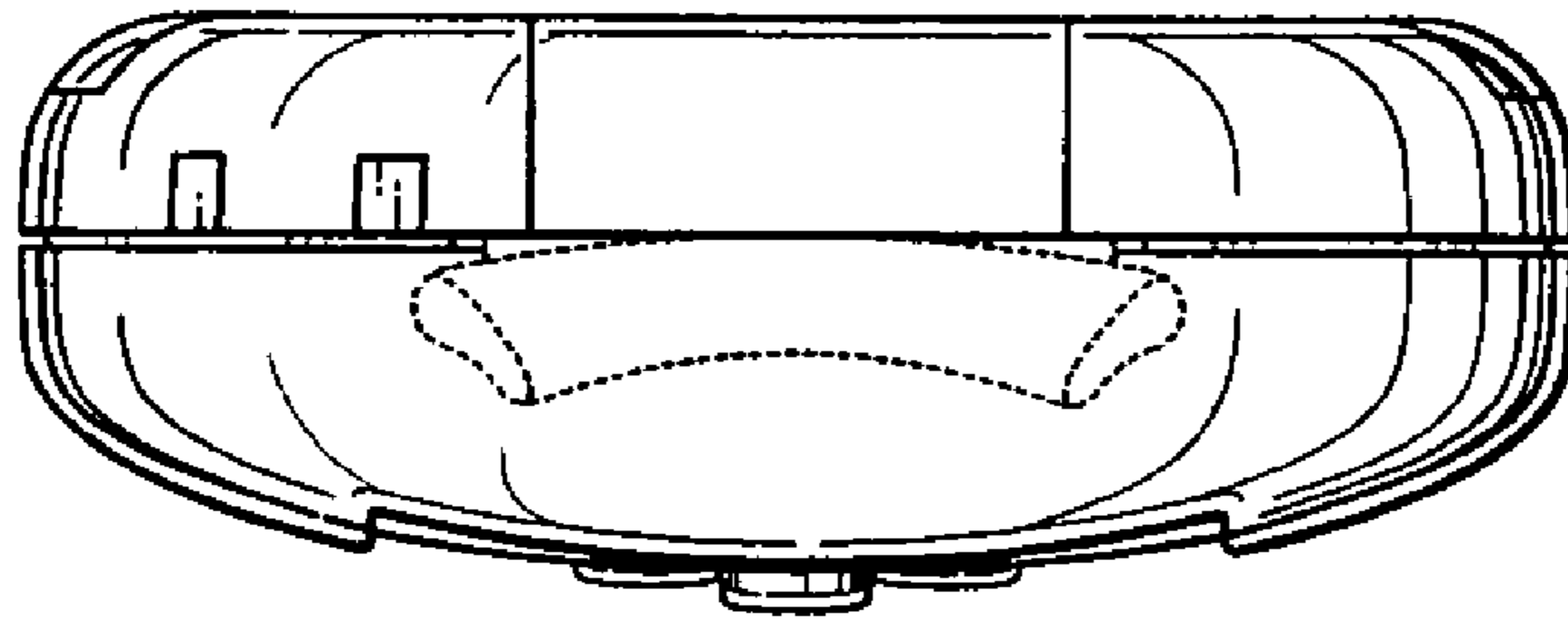


FIG.5

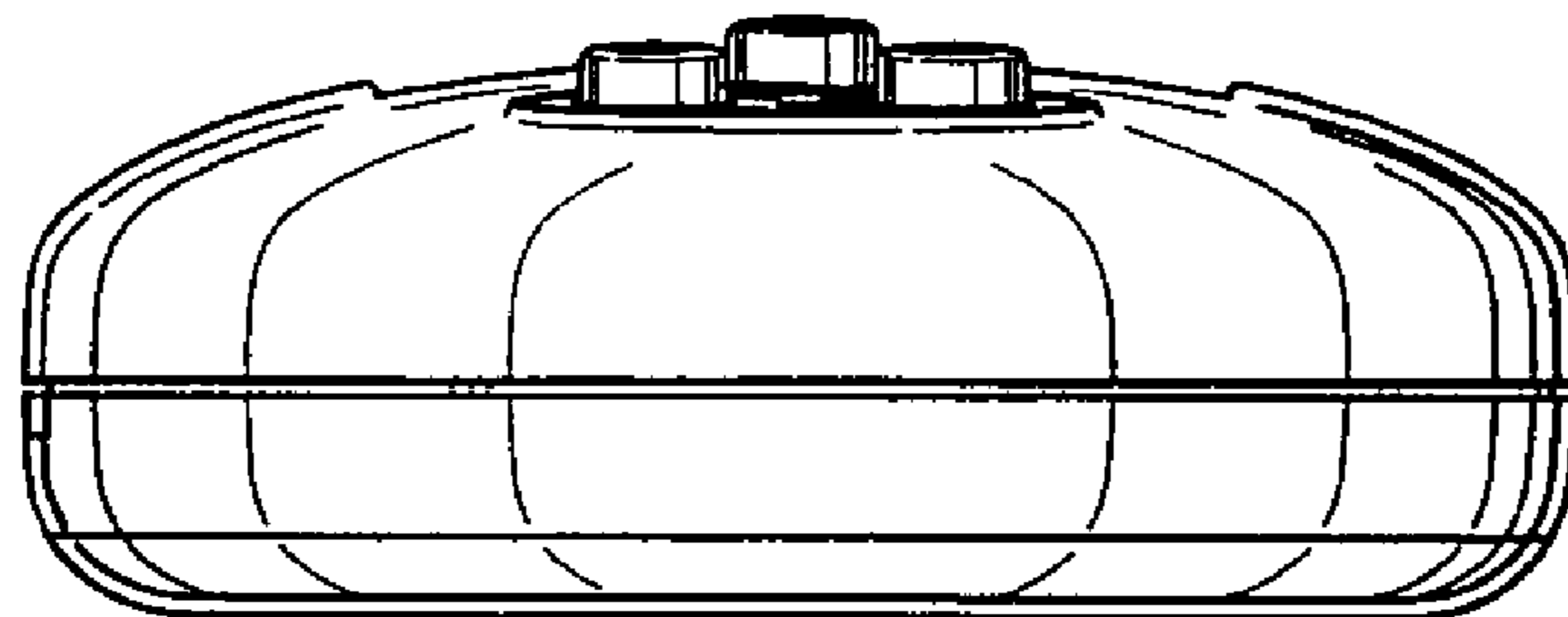


FIG.6

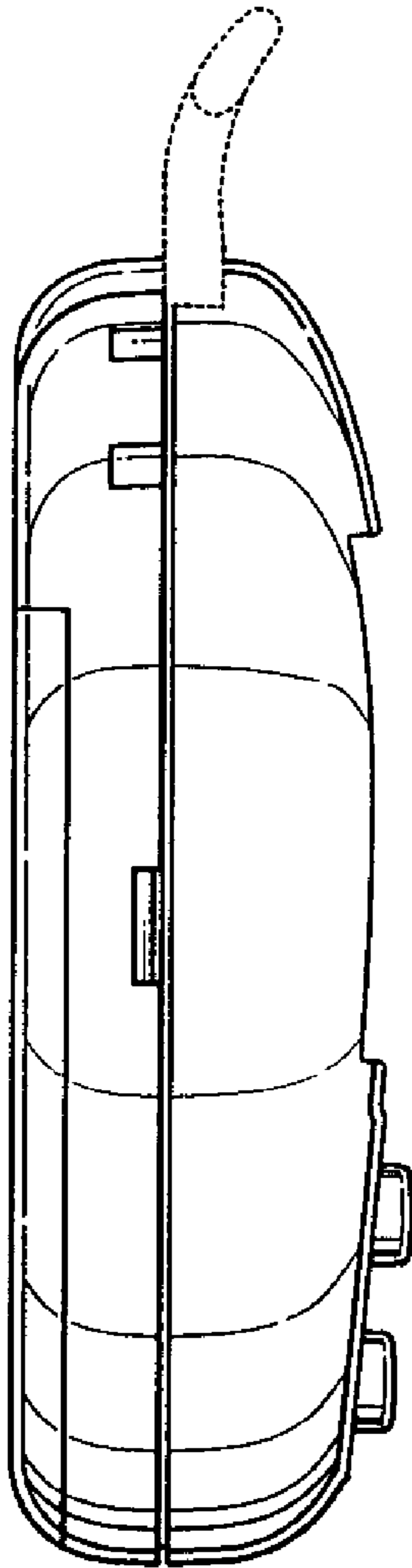


FIG.7

