



US00D546385S

(12) **United States Design Patent**
Bhavnani

(10) **Patent No.:** **US D546,385 S**

(45) **Date of Patent:** **** Jul. 10, 2007**

(54) **RETRACTABLE HIGHLIGHTER**

(75) Inventor: **Dilip Bhavnani**, Beverly Hills, CA
(US)

(73) Assignee: **Sun Coast Merchandise Corporation**,
Commerce, CA (US)

(**) Term: **14 Years**

(21) Appl. No.: **29/224,709**

(22) Filed: **Mar. 4, 2005**

(51) **LOC (8) Cl.** **19-06**

(52) **U.S. Cl.** **D19/41**

(58) **Field of Classification Search** D19/36,
D19/37, 41-51, 54-57; 24/11 R, 11 F, 11 P;
401/52, 99, 100, 104, 105, 106, 107, 108,
401/109, 192, 195

See application file for complete search history.

(56) **References Cited**

U.S. PATENT DOCUMENTS

D397,150 S *	8/1998	Izushima	D19/51
D421,771 S *	3/2000	Avenatti	D19/48
D430,210 S *	8/2000	Shimizu	D19/51
D444,815 S *	7/2001	Izushima	D19/51
D448,804 S *	10/2001	Izushima	D19/51
D458,964 S *	6/2002	Nakazawa	D19/48

D519,563 S * 4/2006 Pellissa Beneyto D19/51

* cited by examiner

Primary Examiner—Elizabeth A. Albert

(74) *Attorney, Agent, or Firm*—The Soni Law Firm

(57) **CLAIM**

The ornamental design for a retractable highlighter, as shown and described.

DESCRIPTION

FIG. 1 is a front perspective view of a retractable highlighter;

FIG. 2 is a right side elevation view of the retractable highlighter of FIG. 1;

FIG. 3 is a front side view of the retractable highlighter of FIG. 1;

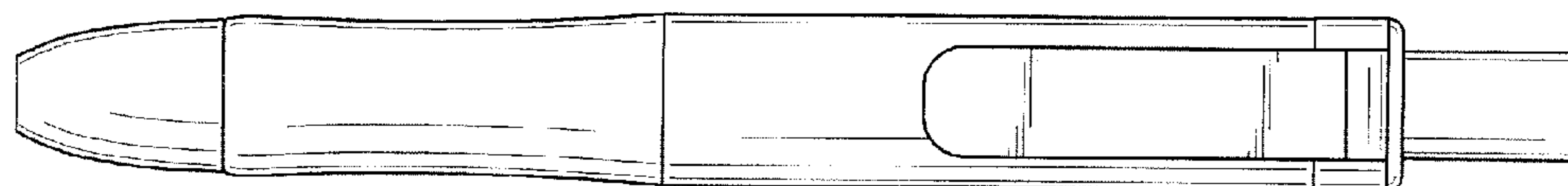
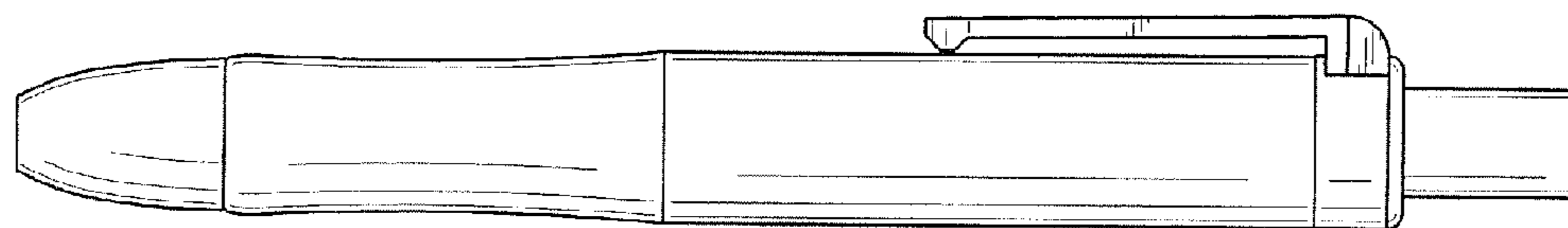
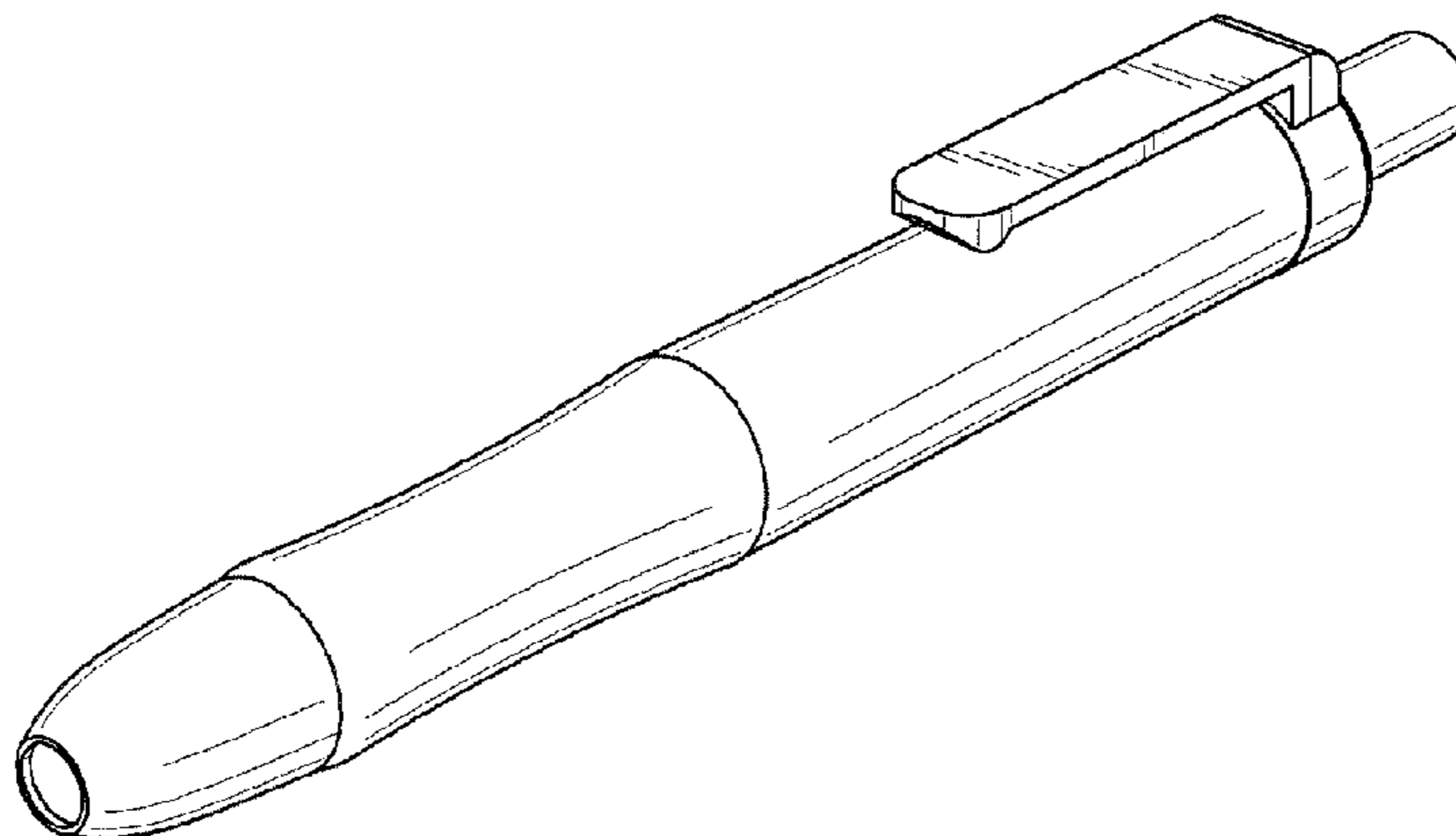
FIG. 4 is a back side view of the retractable highlighter of FIG. 1;

FIG. 5 is a bottom plan view of the retractable highlighter of FIG. 1;

FIG. 6 is a top plan view of the retractable highlighter of FIG. 1; and,

FIG. 7 is a top front perspective view of an alternate position of the retractable highlighter of FIG. 1.

1 Claim, 2 Drawing Sheets



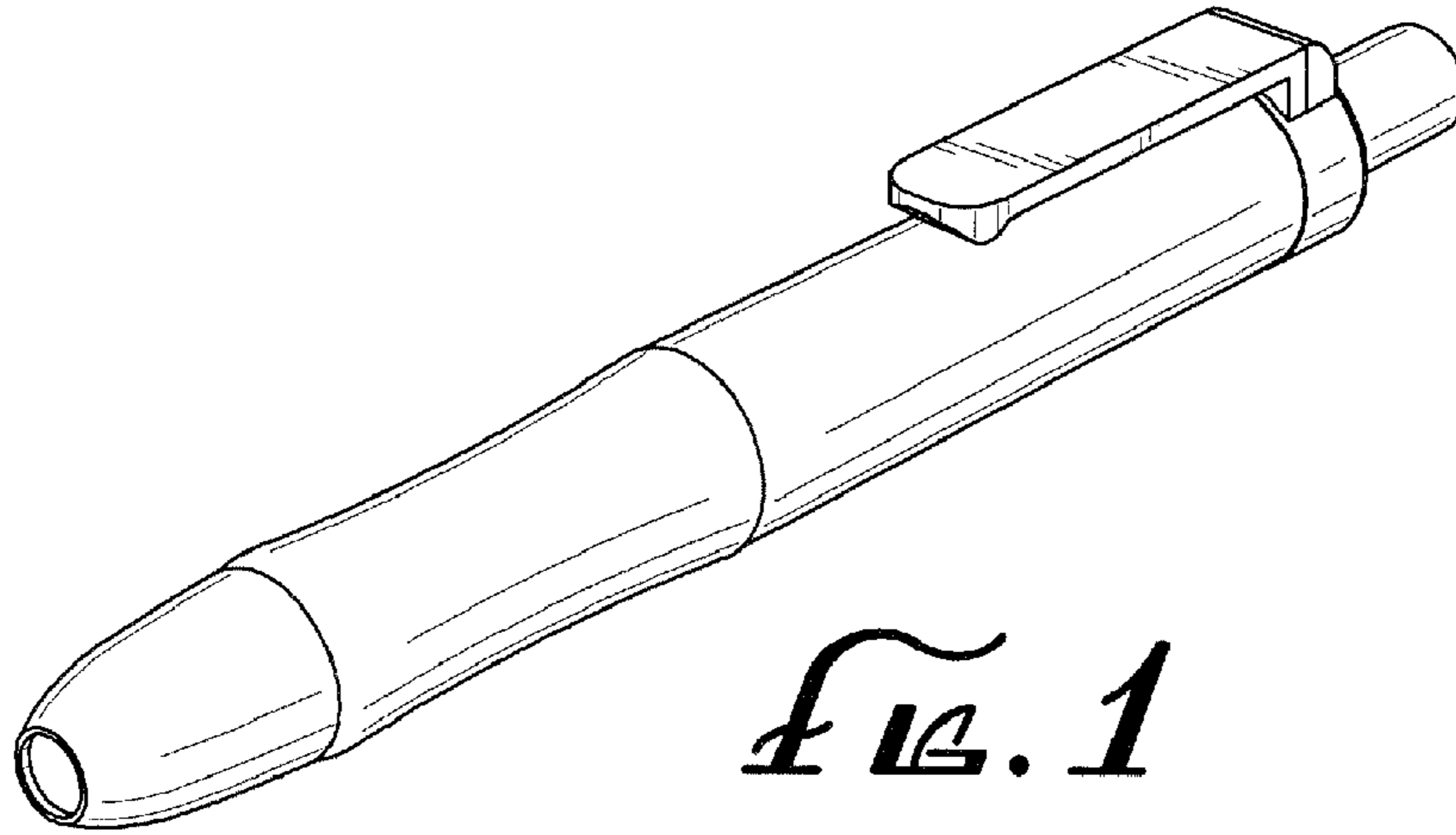


FIG. 1

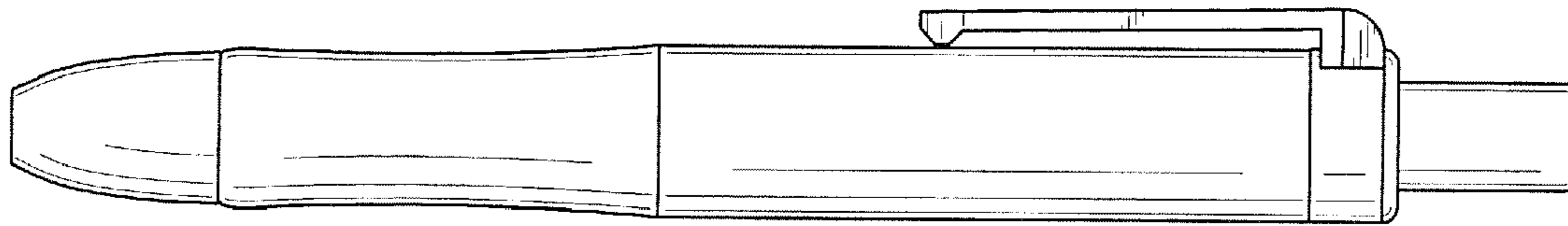


FIG. 2

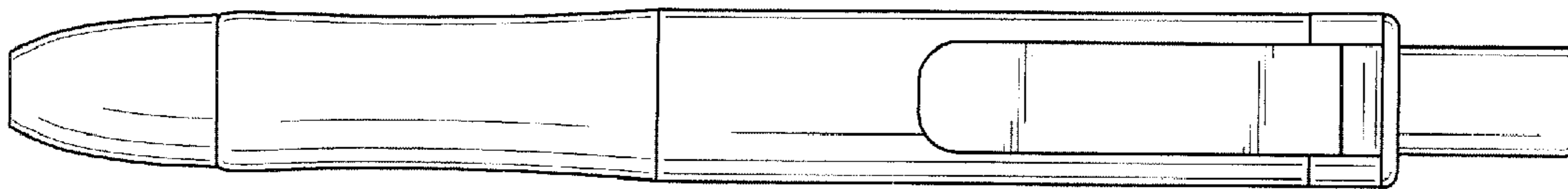


FIG. 3

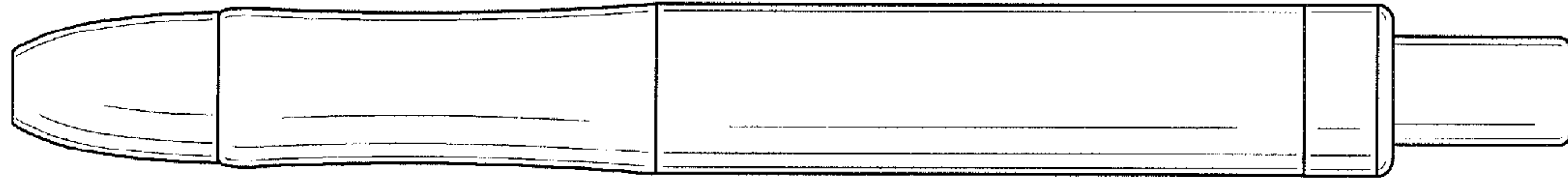


FIG. 4

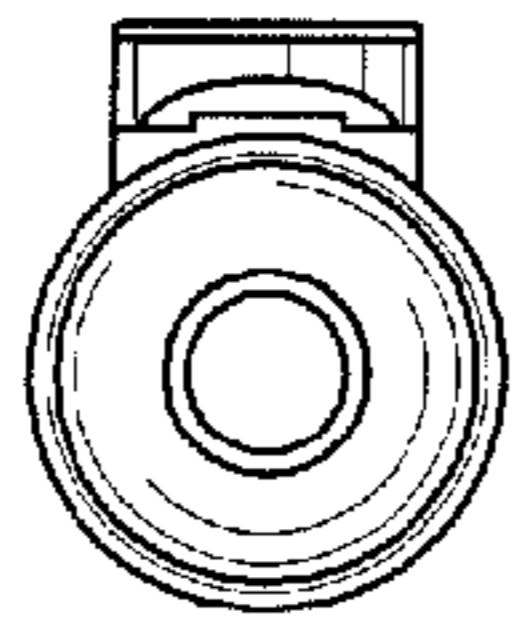


FIG. 5

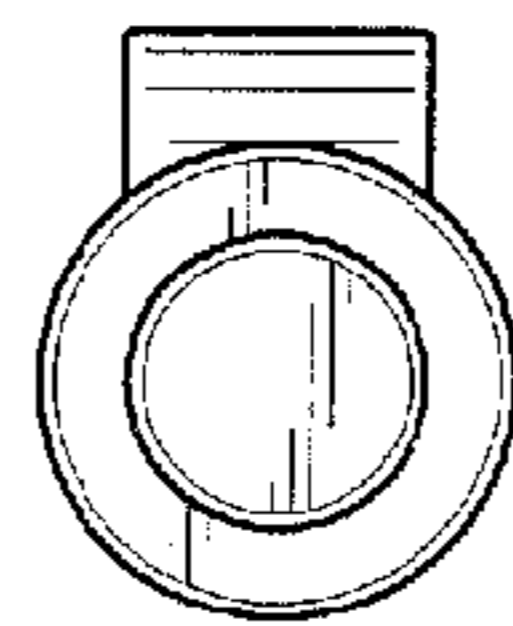


FIG. 6

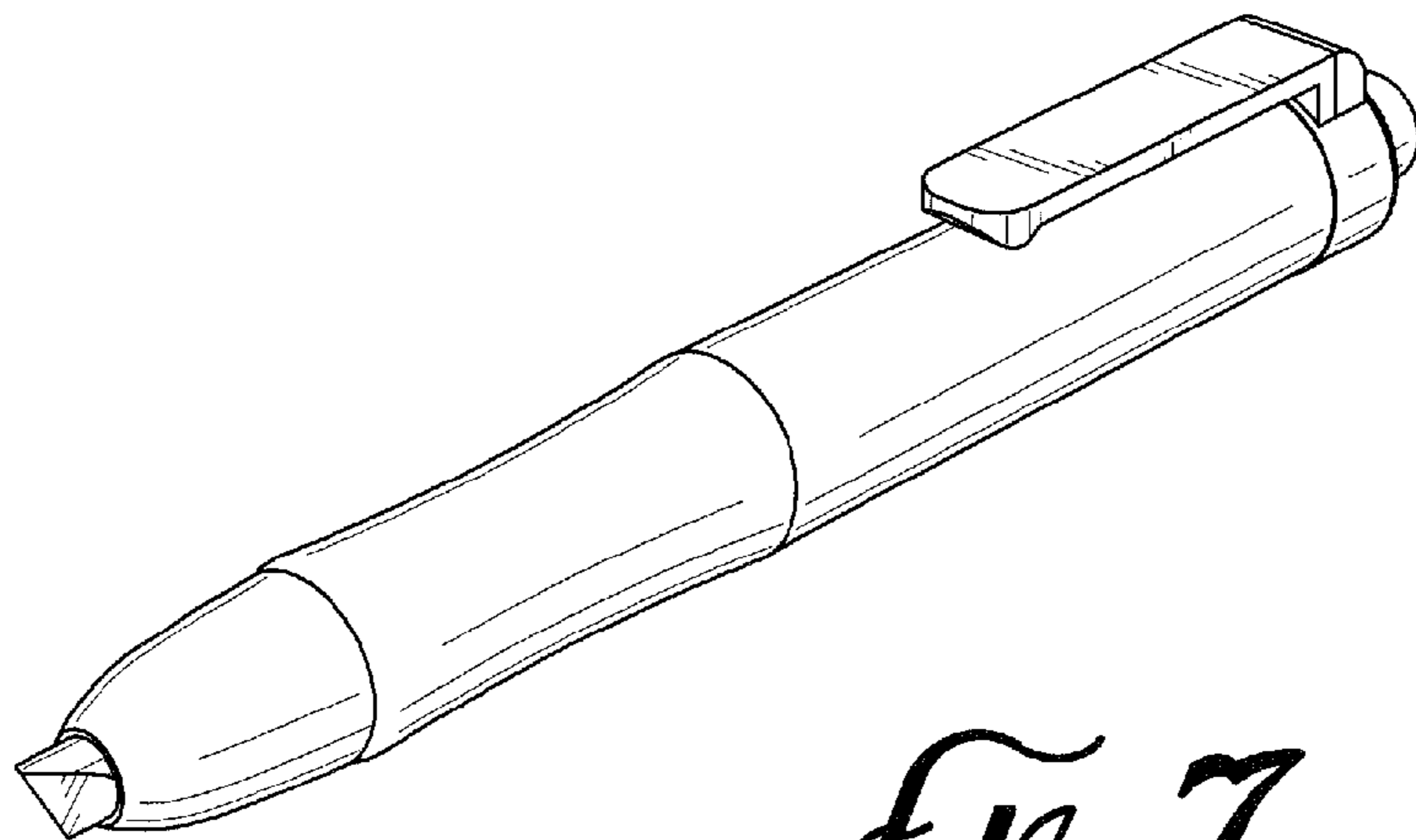


FIG. 7