

US00D546383S

(12) **United States Design Patent**
Wang

(10) **Patent No.:** **US D546,383 S**

(45) **Date of Patent:** **** Jul. 10, 2007**

(54) **PHOTO PRINTER**

(75) Inventor: **Hung-Chih Wang**, Kao Hsiung (TW)

(73) Assignee: **Lite-On Technology Corporation**,
Taipei (TW)

(**) Term: **14 Years**

(21) Appl. No.: **29/243,004**

(22) Filed: **Nov. 18, 2005**

(51) **LOC (8) Cl.** **18-02**

(52) **U.S. Cl.** **D18/50**

(58) **Field of Classification Search** D18/14,
D18/36-39, 46-49, 50, 54, 54.1, 55, 4.4,
D18/19; D14/420-425, 462-470; 399/107;
400/613, 613.1-613.4, 690.1-690.4, 691-694;
D16/237, 246-248

See application file for complete search history.

(56) **References Cited**

U.S. PATENT DOCUMENTS

D299,346 S *	1/1989	Lehman et al.	D18/54
D304,184 S *	10/1989	Watanabe	D14/462
D311,908 S *	11/1990	Molyneaux	D14/345
D321,898 S *	11/1991	Kasee et al.	D18/55
D331,925 S *	12/1992	Sawada et al.	D14/462
D333,382 S *	2/1993	Cheng	D6/634
D341,585 S *	11/1993	Tu	D14/462
D354,653 S *	1/1995	Melk	D6/632
D366,467 S *	1/1996	Masujima et al.	D14/425

6,585,438 B2 *	7/2003	Hosokawa et al.	400/613
D517,111 S *	3/2006	Katayama	D18/50
7,016,183 B2 *	3/2006	Takemoto et al.	400/691
D526,348 S *	8/2006	Tanaka	D18/50
D532,038 S *	11/2006	Hutchinson	D18/50
D532,448 S *	11/2006	Lim et al.	D18/50
D533,216 S *	12/2006	Sato	D18/50

* cited by examiner

Primary Examiner—Cathy Anne MacCormac

(74) *Attorney, Agent, or Firm*—Birch, Stewart, Kolasch & Birch, LLP

(57) **CLAIM**

The ornamental design for a “photo printer,” as shown and described.

DESCRIPTION

FIG. 1 is a perspective view of a “photo printer” showing my new design;

FIG. 2 is a front view thereof;

FIG. 3 is a rear view thereof;

FIG. 4 is a left side view thereof;

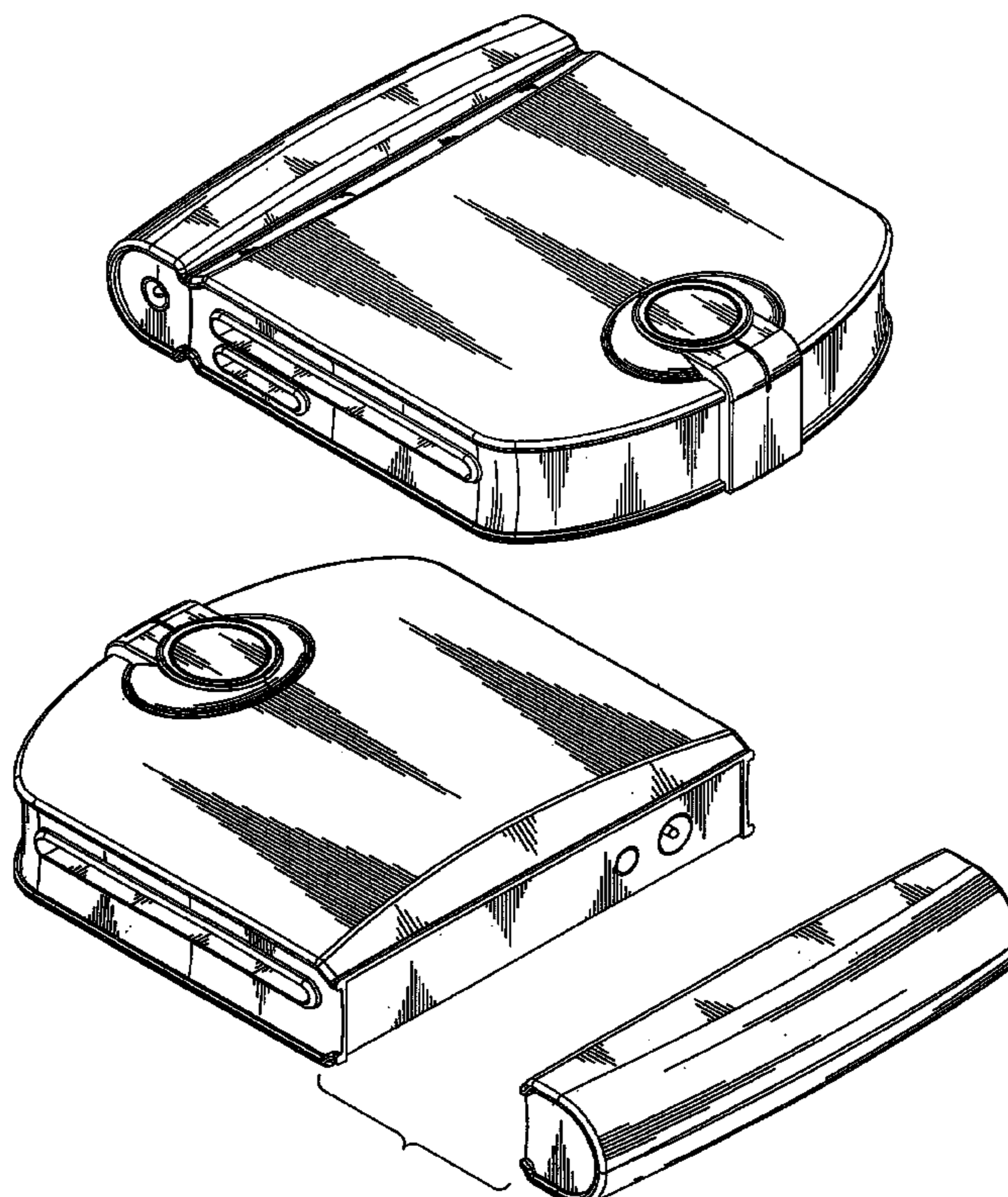
FIG. 5 is a right side view thereof;

FIG. 6 is a top view thereof;

FIG. 7 is a bottom view thereof; and,

FIG. 8 is an exploded perspective view thereof showing the photo printer separated from its battery.

1 Claim, 6 Drawing Sheets



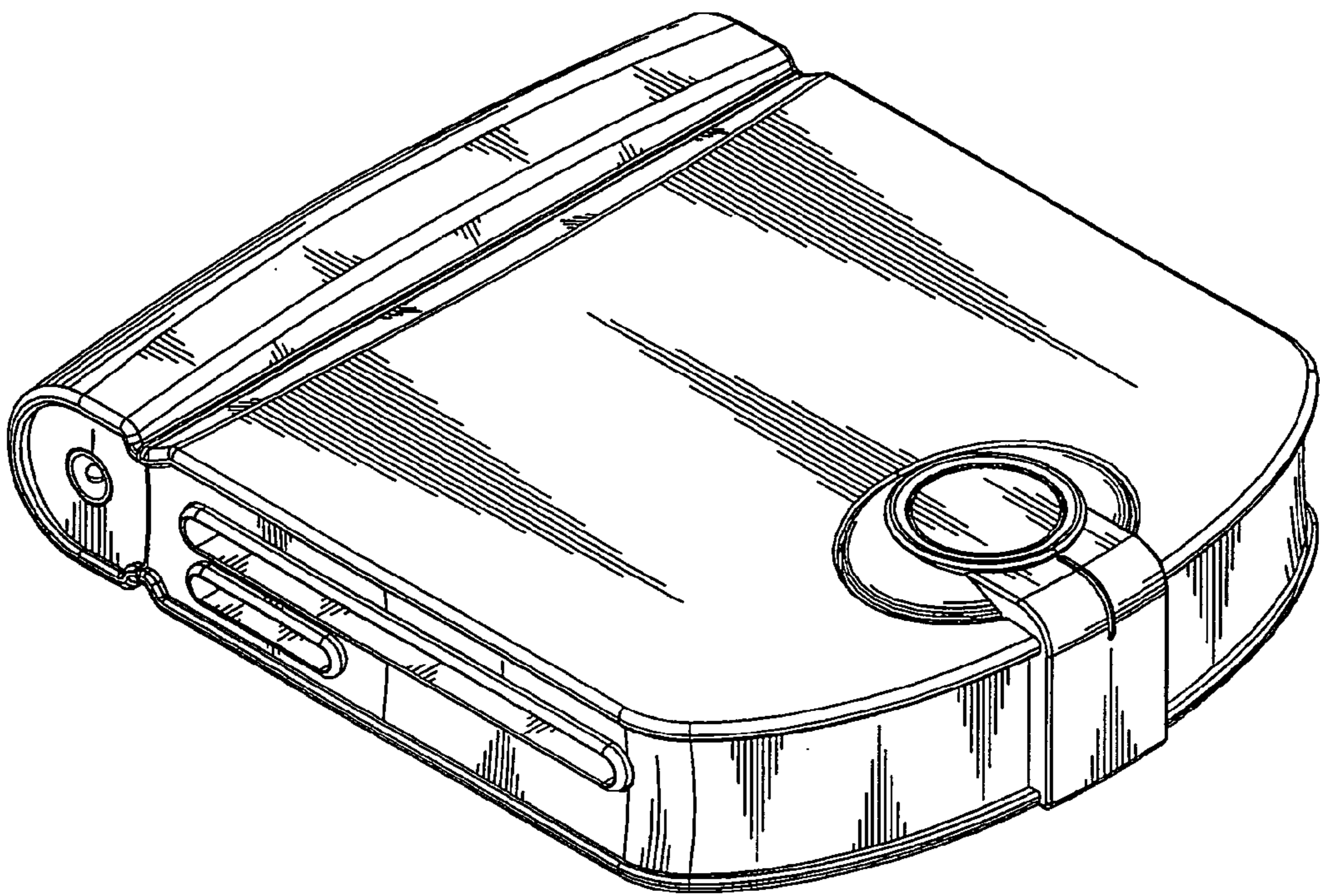


FIG. 1

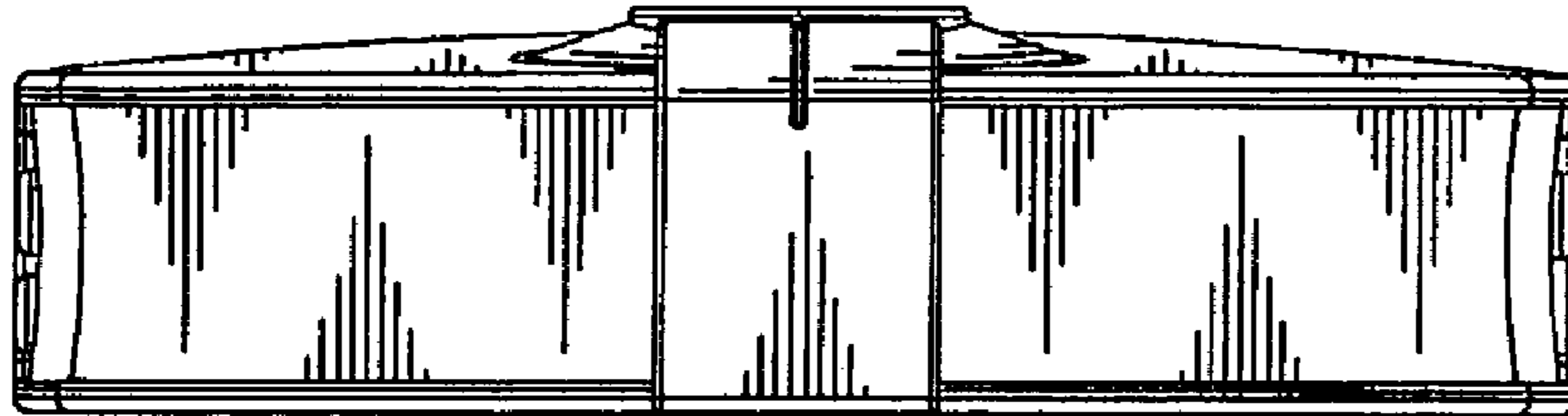


FIG. 2

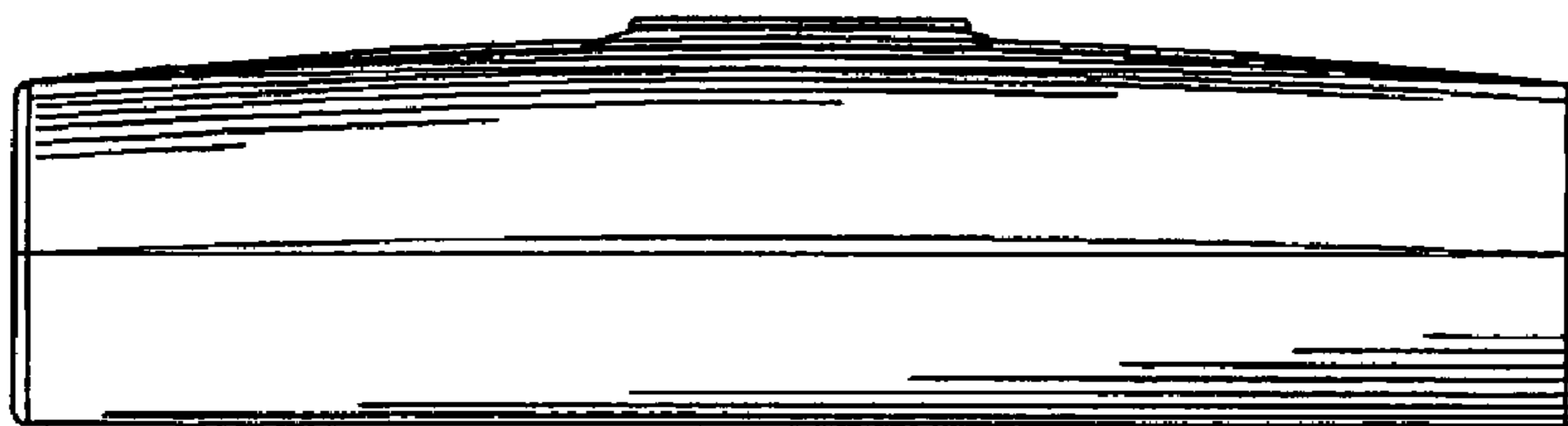


FIG. 3

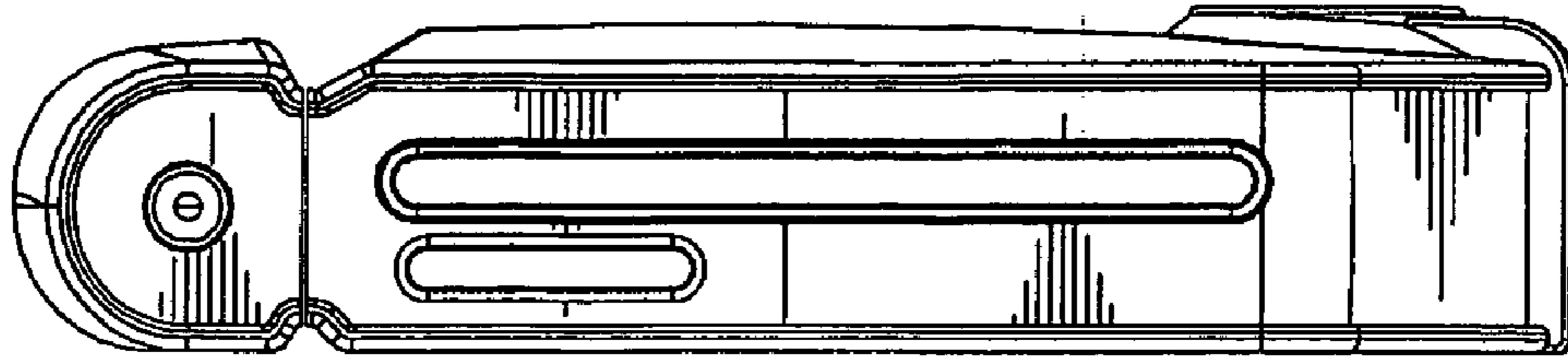


FIG. 4

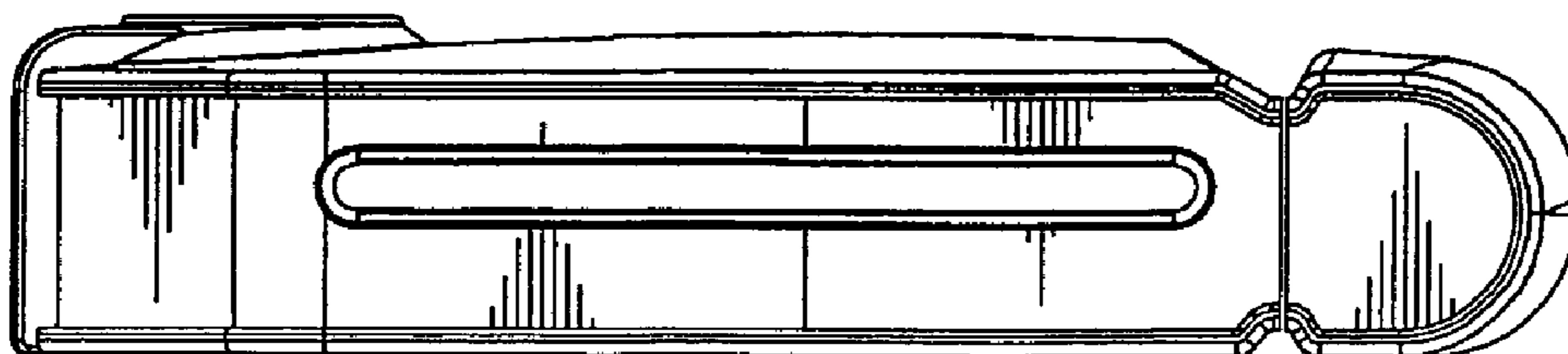


FIG. 5

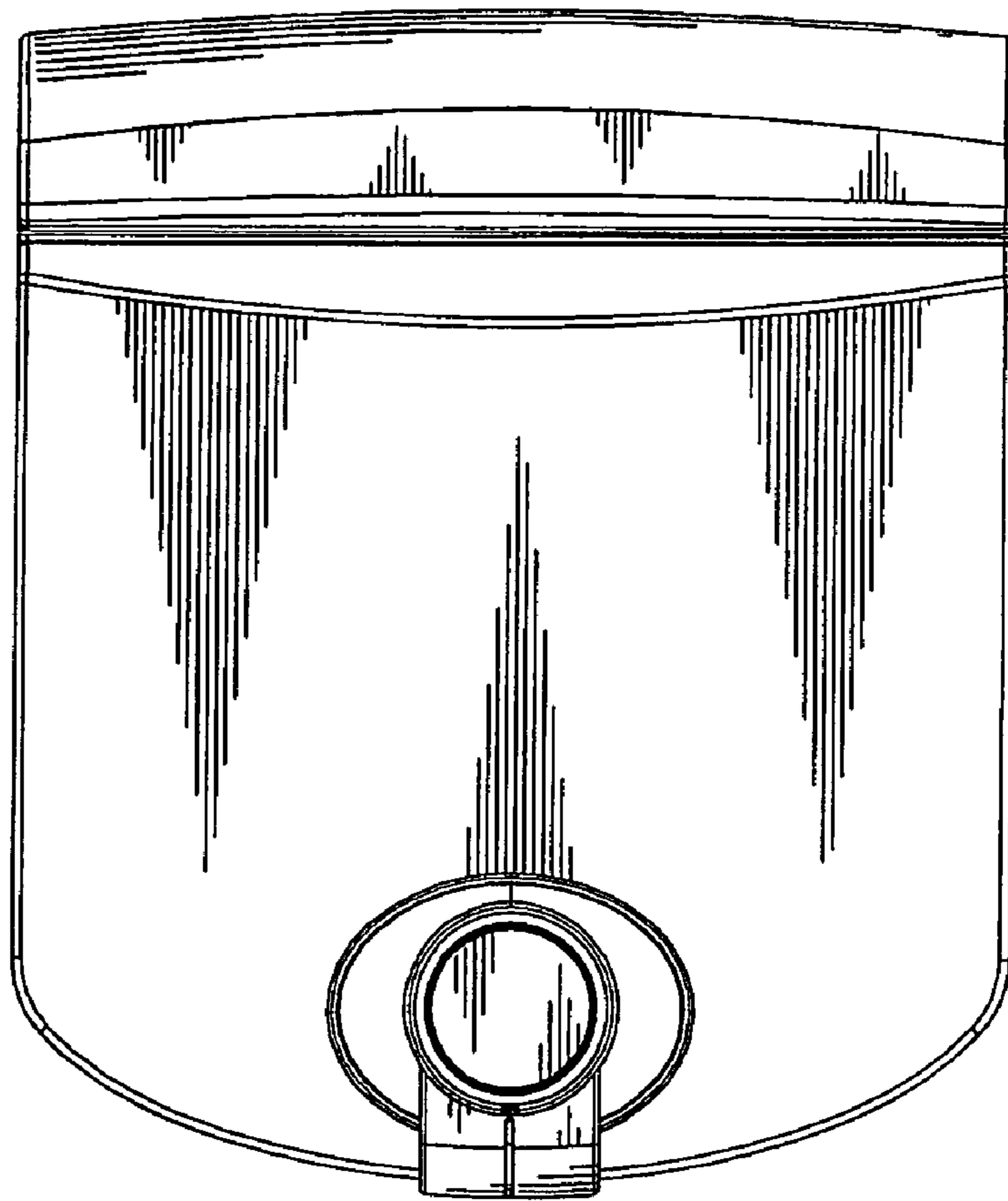


FIG. 6

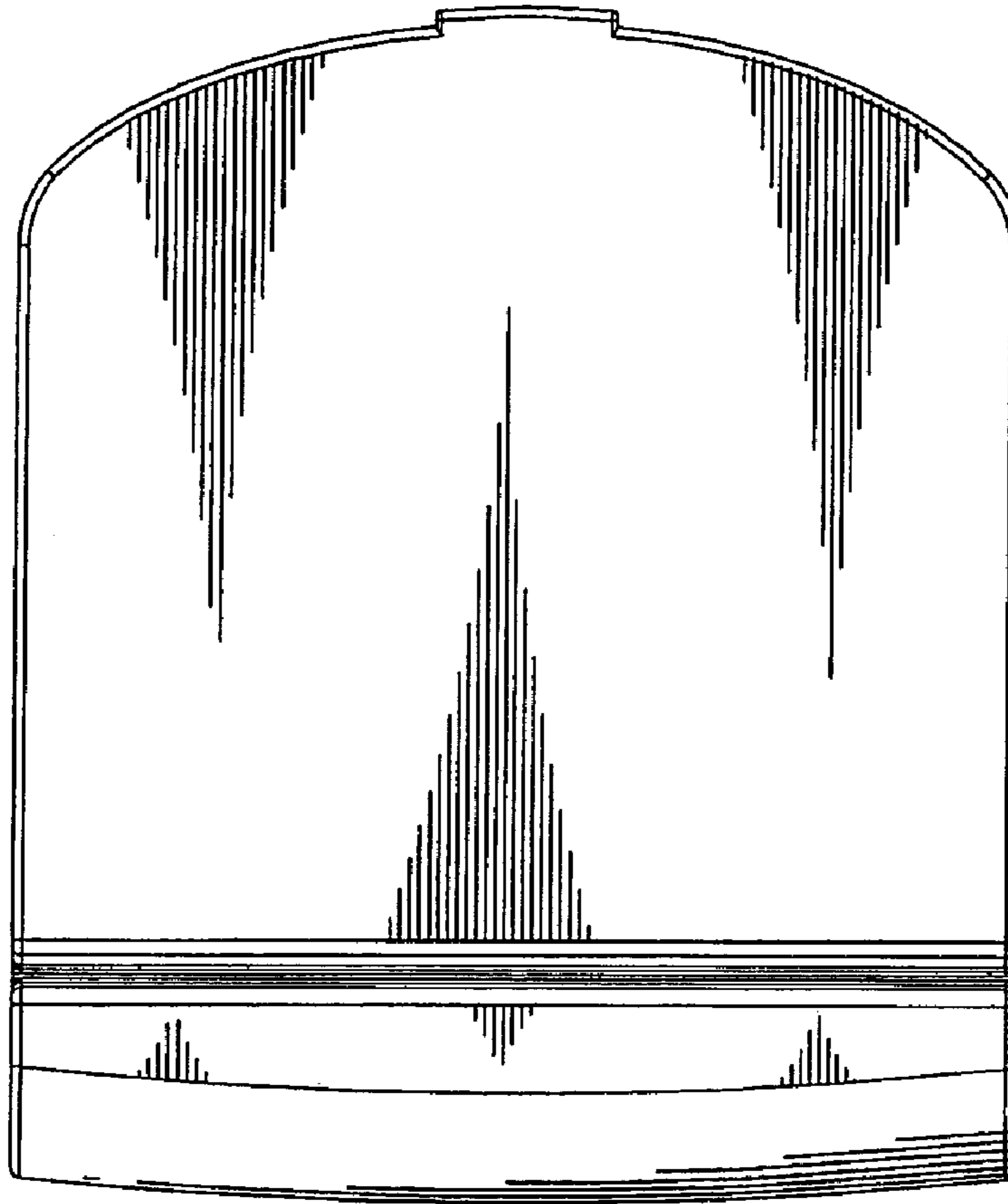


FIG. 7

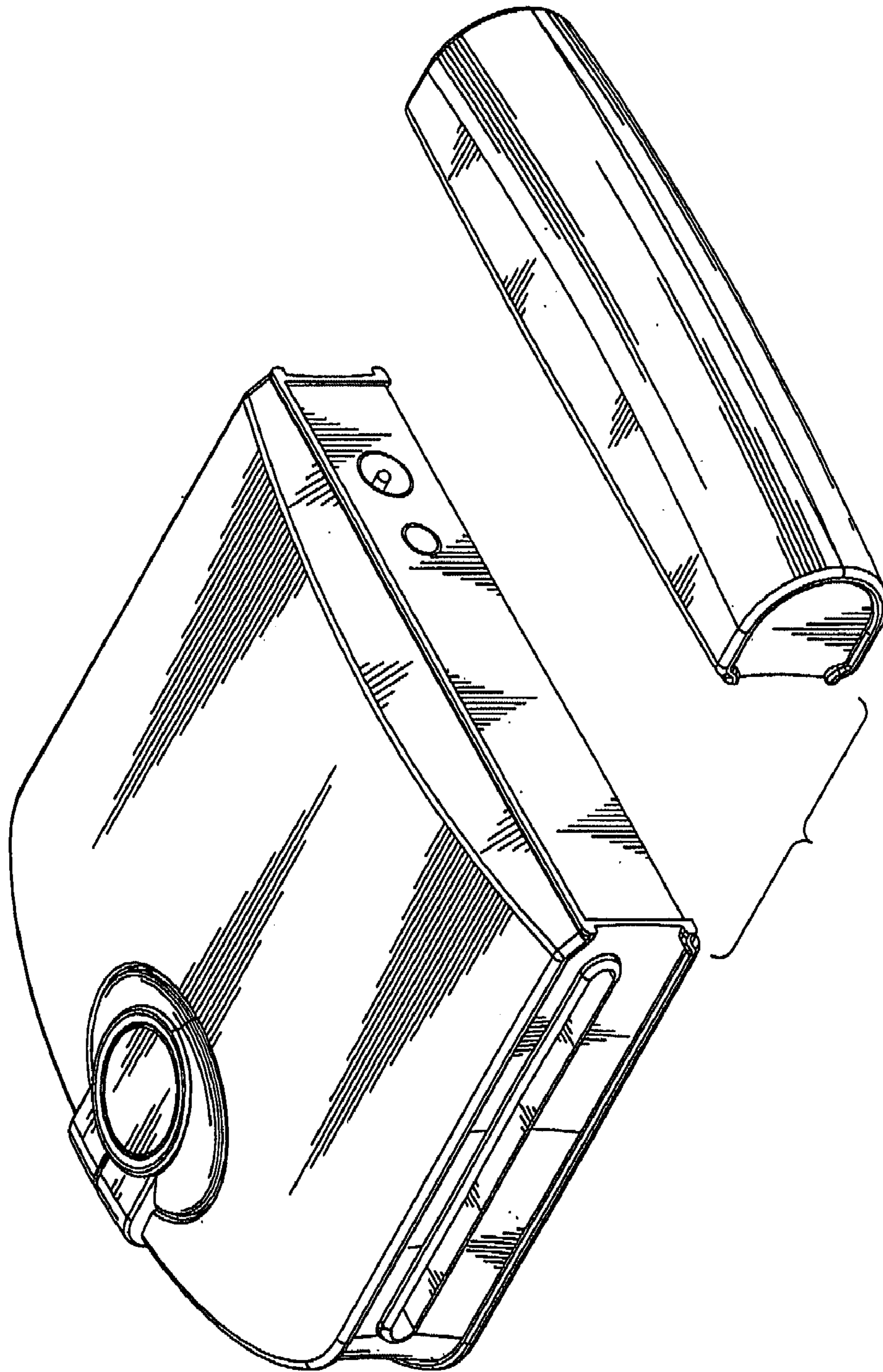


FIG. 8